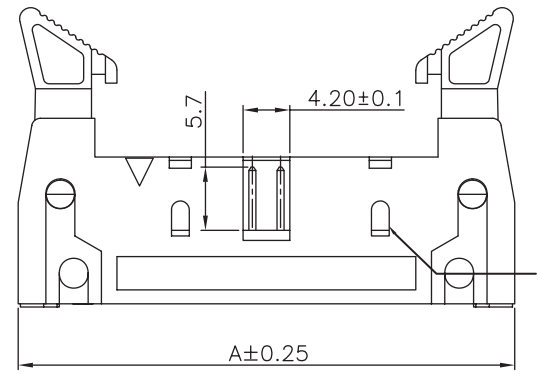
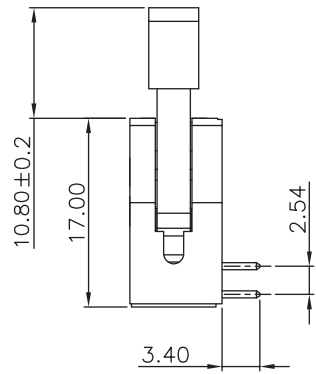
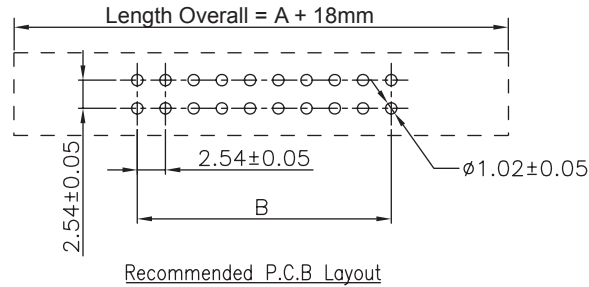




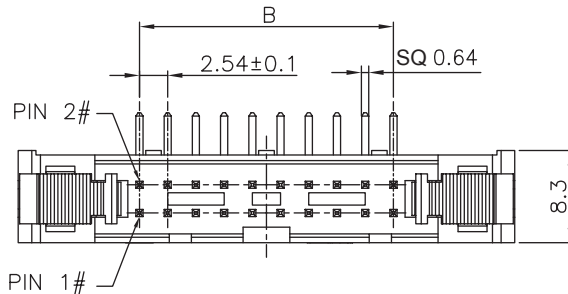
**THE DATASHEET OF**  
**61201022921**



Notes:  
No. of Positions 64 with three key; Other positions with one key



Holes left and right appear from polarity 20



TECHNICAL CHARACTERISTICS

MATERIAL  
INSULATOR: PBT  
FLAMMABILITY RATING: UL94-V0  
COLOR: BLACK  
CONTACT MATERIAL: COPPER ALLOY  
CONTACT TYPE: STAMPED  
CONTACT PLATING: GOLD  
QUALITY CLASS: 3 AS PER CECC 75 301-802  
PITCH: 2.54 MM

ENVIRONMENTAL  
OPERATING TEMPERATURE: -40 UP TO 125°C  
COMPLIANCE: LEAD FREE AND ROHS

ELECTRICAL  
CURRENT RATING: 3A MAX  
WORKING VOLTAGE: 250 VAC  
INSULATOR RESISTANCE: >1000 MOHM  
DIELECTRIC WITHSTANDING VOLTAGE: 500 VAC/MN  
CONTACT RESISTANCE: 20 mOHM MAX

STANDARD  
CERTIFIED: E323964

SOLDERING  
JEDEC LEAD FREE WAVE SOLDERING PROCESS

PACKAGING  
TRAY

DIMENSION

No. of Positions	Dim A	Dim B	No. of Positions	Dim A	Dim B
10	32.00	10.16	34	62.50	40.64
12	34.54	12.70	40	70.10	48.26
14	37.08	15.24	50	82.85	60.96
16	39.62	17.78	60	95.50	73.66
20	44.70	22.86	64	100.78	78.74
24	49.78	27.94			
26	52.30	30.48			
30	57.40	35.56			

RoHS Compliant

PROJECTION:



GENERAL TOLERANCE

.X = +/- 0.2  
.XX = +/- 0.15



APPROVAL: GMo

UNIT: MM

DESCRIPTION: 2.54MM MALE ANGLED BOX HEADER WITH LONG LEVER

SIZE

SCALE:

WERI PART NO: 612 0xx 229 21

A4

SHEET: 1/2

DRAW: MIKE

REV	DATE	FILE	BY
J	08-DEC-16	DRAWING	AK
I	20-OCT-15	NOTES	AK
H	19-MAR-13	NOTES	AR

1

2

3

4

5

## Cautions and Warnings:

This electronic component is designed and developed with the intention for use in general electronics equipments.

Before incorporating the components into any equipments in the field such as aerospace, aviation, nuclear control, submarine, transportation, (automotive control, train control, ship control), transportation signal, disaster prevention, medical, public information network etc. where higher safety and reliability are especially required or if there is possibility of direct damage or injury to human body, Würth Elektronik must be asked for a written approval.

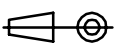

In addition, even electronic component in general electronic equipments, when used in electrical circuits that require high safety, reliability functions or performance, the sufficient reliability evaluation-check for the safety must be performed before by the user before usage.

A

B

C

RoHS Compliant

G				PROJECTION: 	GENERAL TOLERANCE .X = +/- 0.2 .XX = +/- 0.15		
F							
E							
D							
C				APPROVAL: JC	UNIT: MM	DESCRIPTION: DISCLAIMER	SIZE <b>A4</b>
B					SCALE:		
A	10-SEP-14	PDF	QL		SHEET: 2/2	WERI PART NO: DISCLAIMER	
REV	DATE	FILE	BY		DRAW: QL		

D

## Looking for pricing, stock, or lifecycle information?

Click below to explore more details on WIN SOURCE:

 [View 61201022921 on WIN SOURCE](#)

 [Wurth Electronics Inc Information](#)

## Optimize Your Supply Chain with WIN SOURCE Solutions

-  Global Sourcing Solution
-  Obsolete Management
-  Cost Control Management
-  Shortage Management
-  Alternative Solution
-  Excess Inventory Management