



THE DATASHEET OF
101-106

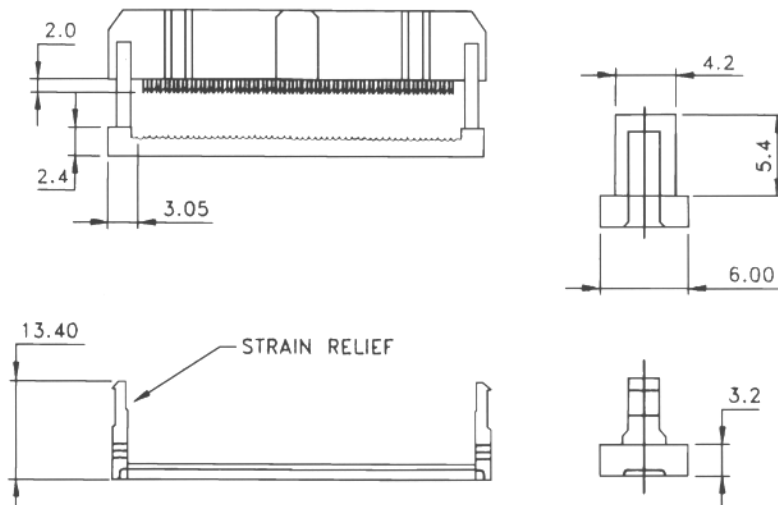
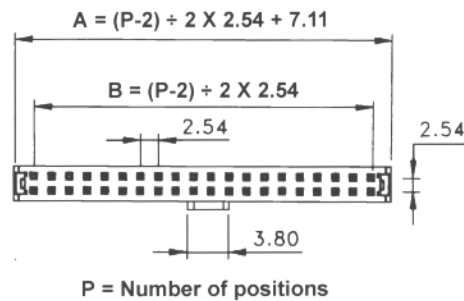
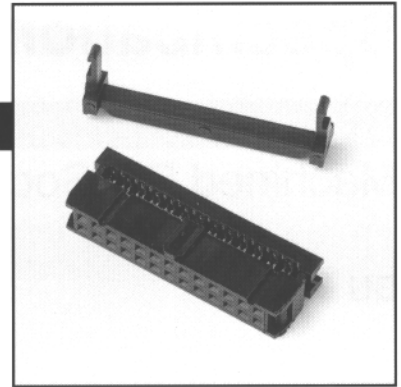


Series: 101

IDC Socket 2.54mm

❖ Positions:

10, 14, 16, 20, 24, 26, 30, 34, 40, 50, 60, 64



Ordering example: **101 - 40 6 - N**

Specifications

IDC Socket 2.54mm Series:

101

Ratings:

Current	1A DC
Voltage	250 VAC
Contact resistance	30mΩ MAX. at 6V DC 0.3A
Insulation resistance	1000MΩ MIN. at 500V DC
Dielectric strength	500 VAC for 1 minute

Material:

Plastic	PBT Glass-filled, UL94V-0
Color	Black
Contact	Phosphor Bronze, Gold flash over Nickel

ORDERING PROCEDURE



1 - 2 3 - 4

- 1) Series
- 2) Number of Positions (see series page for available positions)
- 3) Plating:
 - 1 = Full Gold Flash
 - 6 = Selective Gold Flash
 - 7 = Selective 10μ Gold*
 - 8 = Selective 30μ Gold*
 - * May require minimums
- 4) Options:
 - N = Non-Polarized
 - S = Strain Relief
 - W = Without Strain Relief

Please refer to following page for ordering example.

Looking for pricing, stock, or lifecycle information?

Click below to explore more details on WIN SOURCE:

-  [View 101-106 on WIN SOURCE](#)
-  [On Shore Technology Inc. Information](#)

Optimize Your Supply Chain with WIN SOURCE Solutions

-  Global Sourcing Solution
-  Obsolete Management
-  Cost Control Management
-  Shortage Management
-  Alternative Solution
-  Excess Inventory Management