



**THE DATASHEET OF**  
**101-166**

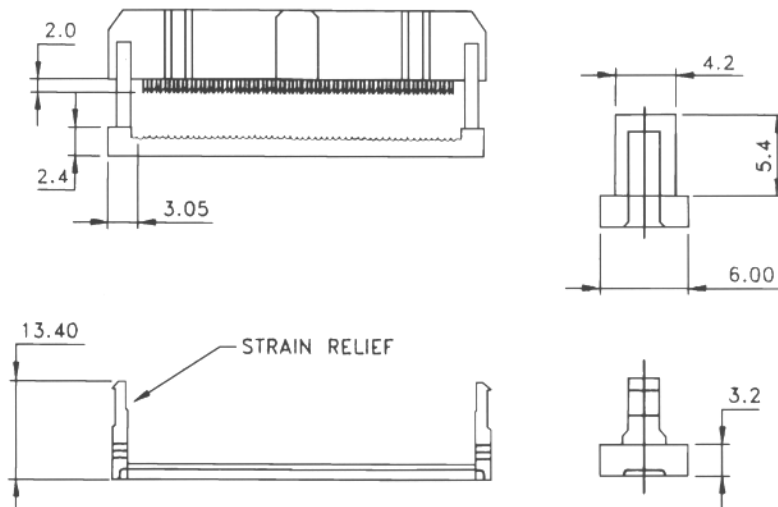
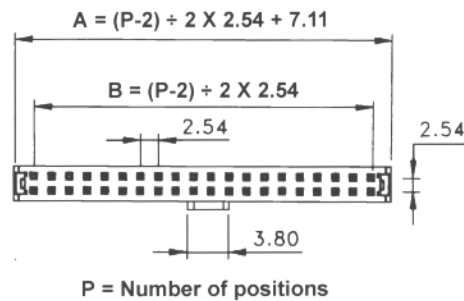
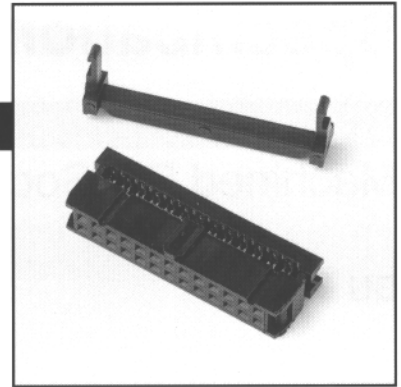


# Series: 101

## IDC Socket 2.54mm

❖ Positions:

10, 14, 16, 20, 24, 26, 30, 34, 40, 50, 60, 64



Ordering example: 101 - 40 6 - N

# Specifications

## IDC Socket 2.54mm Series:

### 101

**Ratings:**

Current	1A DC
Voltage	250 VAC
Contact resistance	30mΩ MAX. at 6V DC 0.3A
Insulation resistance	1000MΩ MIN. at 500V DC
Dielectric strength	500 VAC for 1 minute

**Material:**

Plastic	PBT Glass-filled, UL94V-0
Color	Black
Contact	Phosphor Bronze, Gold flash over Nickel

### ORDERING PROCEDURE



1 - 2 3 - 4

- 1) Series
- 2) Number of Positions (see series page for available positions)
- 3) Plating:
  - 1 = Full Gold Flash
  - 6 = Selective Gold Flash
  - 7 = Selective 10μ Gold\*
  - 8 = Selective 30μ Gold\*
  - \* May require minimums
- 4) Options:
  - N = Non-Polarized
  - S = Strain Relief
  - W = Without Strain Relief

Please refer to following page for ordering example.

## Looking for pricing, stock, or lifecycle information?

Click below to explore more details on WIN SOURCE:

-  [View 101-166 on WIN SOURCE](#)
-  [On Shore Technology Inc. Information](#)

## Optimize Your Supply Chain with WIN SOURCE Solutions

-  Global Sourcing Solution
-  Obsolete Management
-  Cost Control Management
-  Shortage Management
-  Alternative Solution
-  Excess Inventory Management