



**THE DATASHEET OF  
SFH11-PBPC-D10-ST-BK**

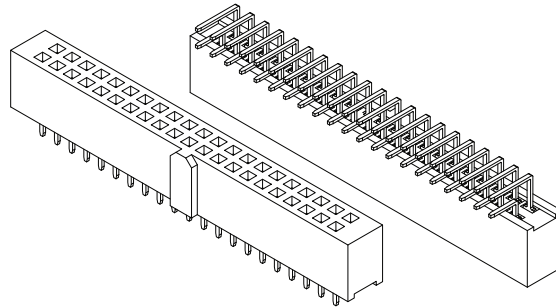




## .100" [2.54 mm] Contact Centers, Female Headers, Straight/Right Angle - SFH11 Series Mates with SBH11 series (See opposite page)

### SPECIFICATIONS

- Centered Polarizing Key Optional
- Operating Temperature: -40°C to +105°C
- Processing Temperature: 230°C Max. for 60 seconds, (260°C Max. for 10 seconds)
- UL Flammability Rating: 94V-0
- Contact Resistance: 20 milli Ohms Max.
- Current Rating: 3 Amps
- Dielectric Withstanding: 1000 VAC
- Insulation Resistance: 5000 Megohms Min.



### PART NUMBER OPTIONS

**SFH11 - P P P C - D 10 - ST - BK - M181**

#### SERIES

SFH11 = Female Header, .100" [2.54 mm] Contact Centers by .100" [2.54 mm] Row Spacing

#### INSULATOR MATERIAL

P = PBT  
N = NYLON

#### CONTACT MATERIAL

P = Phosphor Bronze  
B = Brass

#### CONTACT FINISH - RoHS Compliant

P = Gold Flash Overall  
E = .000100" Pure Tin, Matte, Overall

#### CONTACT CENTERS

C = .100" [2.54 mm]

#### MODIFICATION (Omit for Standard)

M181 = Without Centered Polarizing Key

#### COLOR

BK = Black

#### TERMINATION TYPE (Opposite Page)

ST = Straight  
RA = Right Angle

#### NUMBER OF CONTACT POSITIONS

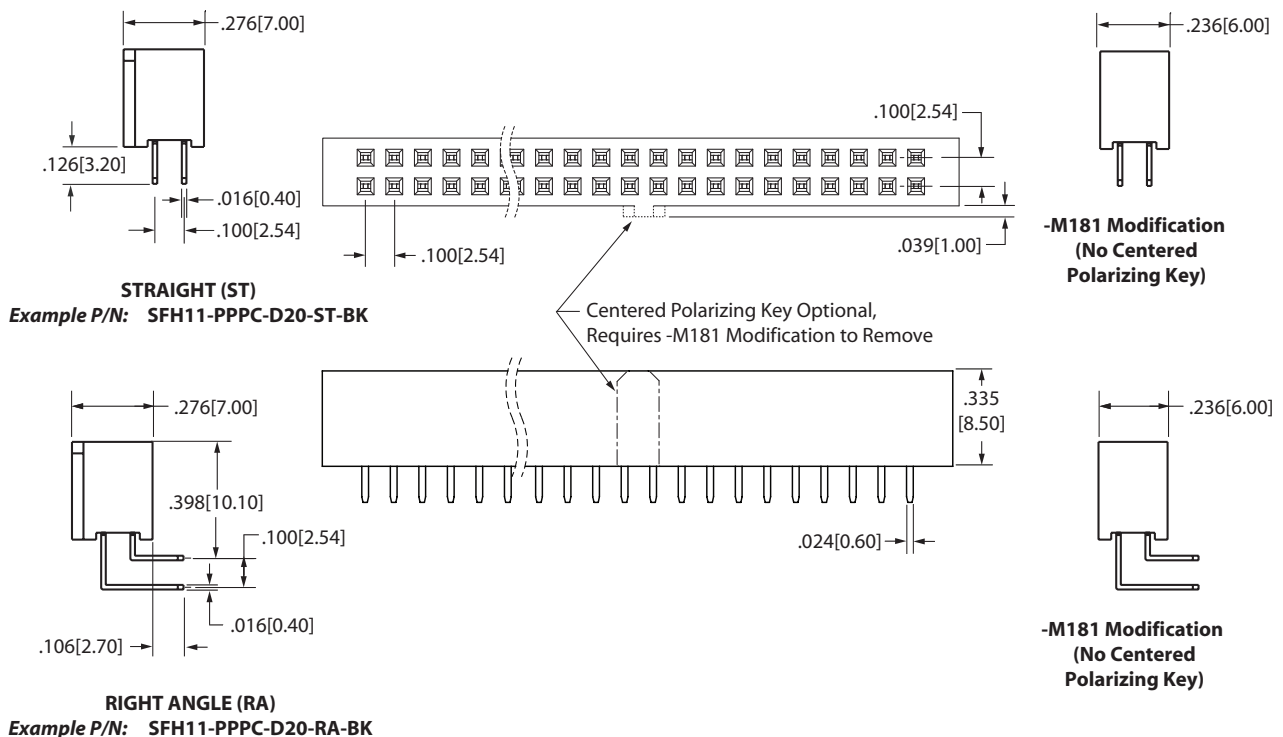
03 thru 08, 10, 12, 13, 15, 17, 20, 25, 30, 32

#### NUMBER OF ROWS

D = Dual Row



### DIMENSIONS For complete drawings, go to [www.sullinscorp.com](http://www.sullinscorp.com) or e-mail [techsupport@sullinscorp.com](mailto:techsupport@sullinscorp.com)

Dimensions in [ ] are in millimeters, all others are in inches.



## Looking for pricing, stock, or lifecycle information?

Click below to explore more details on WIN SOURCE:

-  [View SFH11-PBPC-D10-ST-BK on WIN SOURCE](#)
-  [Sullins Connector Solutions Information](#)

## Optimize Your Supply Chain with WIN SOURCE Solutions

-  Global Sourcing Solution
-  Obsolete Management
-  Cost Control Management
-  Shortage Management
-  Alternative Solution
-  Excess Inventory Management