



**THE DATASHEET OF
NPPN252FFKP-RC**



| POSITIONS/ CONTACTS | A | | B | | C | |
|------------------------|-------|-------|-------|-------|-------|-------|
| | INCH | MM | INCH | MM | INCH | MM |
| 02/04 | 0.079 | 2.00 | 0.157 | 4.00 | N/A | N/A |
| 03/06 | 0.157 | 4.00 | 0.236 | 6.00 | 0.079 | 2.00 |
| 04/08 | 0.236 | 6.00 | 0.315 | 8.00 | 0.157 | 4.00 |
| 05/10 | 0.315 | 8.00 | 0.394 | 10.00 | 0.236 | 6.00 |
| 06/12 | 0.394 | 10.00 | 0.472 | 12.00 | 0.315 | 8.00 |
| 07/14 | 0.472 | 12.00 | 0.551 | 14.00 | 0.394 | 10.00 |
| 08/16 | 0.551 | 14.00 | 0.630 | 16.00 | 0.472 | 12.00 |
| 09/18 | 0.630 | 16.00 | 0.709 | 18.00 | 0.551 | 14.00 |
| 10/20 | 0.709 | 18.00 | 0.787 | 20.00 | 0.630 | 16.00 |
| 11/22 | 0.787 | 20.00 | 0.866 | 22.00 | 0.709 | 18.00 |
| 12/24 | 0.866 | 22.00 | 0.945 | 24.00 | 0.787 | 20.00 |
| 13/26 | 0.945 | 24.00 | 1.024 | 26.00 | 0.866 | 22.00 |
| 14/28 | 1.024 | 26.00 | 1.102 | 28.00 | 0.945 | 24.00 |
| 15/30 | 1.102 | 28.00 | 1.181 | 30.00 | 1.024 | 26.00 |
| 16/32 | 1.181 | 30.00 | 1.260 | 32.00 | 1.102 | 28.00 |
| 17/34 | 1.260 | 32.00 | 1.339 | 34.00 | 1.181 | 30.00 |
| 18/36 | 1.339 | 34.00 | 1.417 | 36.00 | 1.260 | 32.00 |
| 19/38 | 1.417 | 36.00 | 1.496 | 38.00 | 1.339 | 34.00 |
| 20/40 | 1.496 | 38.00 | 1.575 | 40.00 | 1.417 | 36.00 |
| 21/42 | 1.575 | 40.00 | 1.654 | 42.00 | 1.496 | 38.00 |
| 22/44 | 1.654 | 42.00 | 1.732 | 44.00 | 1.575 | 40.00 |
| 23/46 | 1.732 | 44.00 | 1.811 | 46.00 | 1.654 | 42.00 |
| 24/48 | 1.811 | 46.00 | 1.890 | 48.00 | 1.732 | 44.00 |
| 25/50 | 1.890 | 48.00 | 1.969 | 50.00 | 1.811 | 46.00 |
| 26/52 | 1.969 | 50.00 | 2.047 | 52.00 | 1.890 | 48.00 |
| 27/54 | 2.047 | 52.00 | 2.126 | 54.00 | 1.969 | 50.00 |
| 28/56 | 2.126 | 54.00 | 2.205 | 56.00 | 2.047 | 52.00 |
| 29/58 | 2.205 | 56.00 | 2.283 | 58.00 | 2.126 | 54.00 |
| 30/60 | 2.283 | 58.00 | 2.362 | 60.00 | 2.205 | 56.00 |
| 31/62 | 2.362 | 60.00 | 2.441 | 62.00 | 2.283 | 58.00 |
| 32/64 | 2.441 | 62.00 | 2.520 | 64.00 | 2.362 | 60.00 |
| 33/66 | 2.520 | 64.00 | 2.598 | 66.00 | 2.441 | 62.00 |
| 34/68 | 2.598 | 66.00 | 2.677 | 68.00 | 2.520 | 64.00 |
| 35/70 | 2.677 | 68.00 | 2.756 | 70.00 | 2.598 | 66.00 |
| 36/72 | 2.756 | 70.00 | 2.835 | 72.00 | 2.677 | 68.00 |
| 37/74 | 2.835 | 72.00 | 2.913 | 74.00 | 2.756 | 70.00 |
| 38/76 | 2.913 | 74.00 | 2.992 | 76.00 | 2.835 | 72.00 |
| 39/78 | 2.992 | 76.00 | 3.071 | 78.00 | 2.913 | 74.00 |
| 40/80 | 3.071 | 78.00 | 3.150 | 80.00 | 2.992 | 76.00 |

PART NUMBER CODING

xPPNxx2FFKx-RC

TERMINATION TYPES

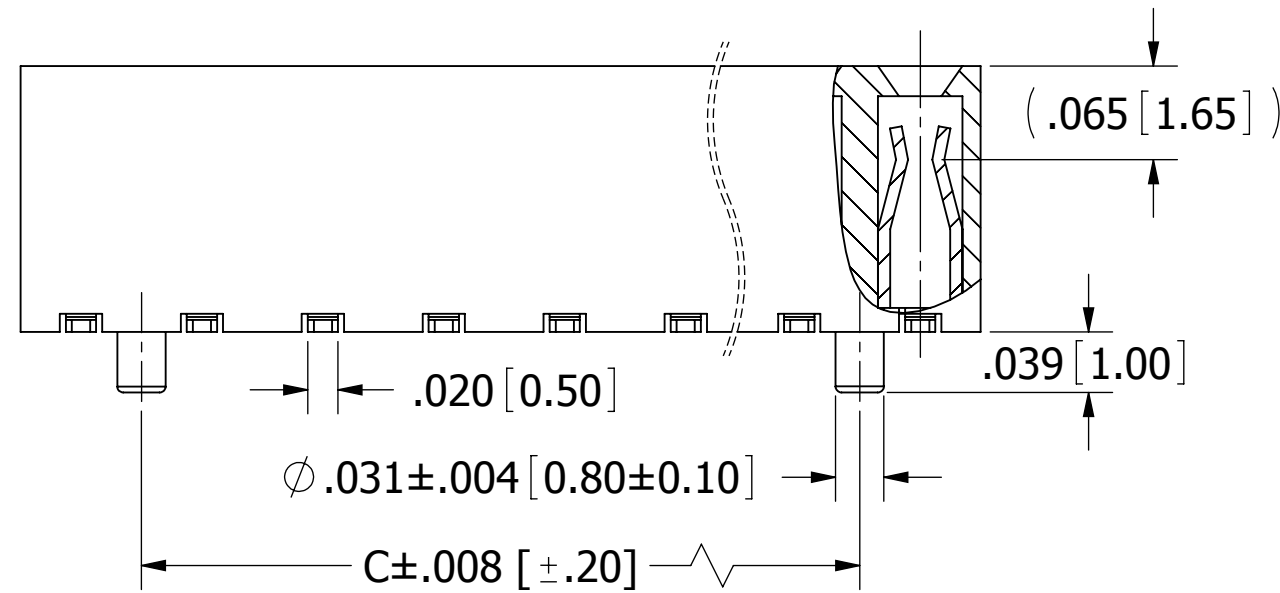
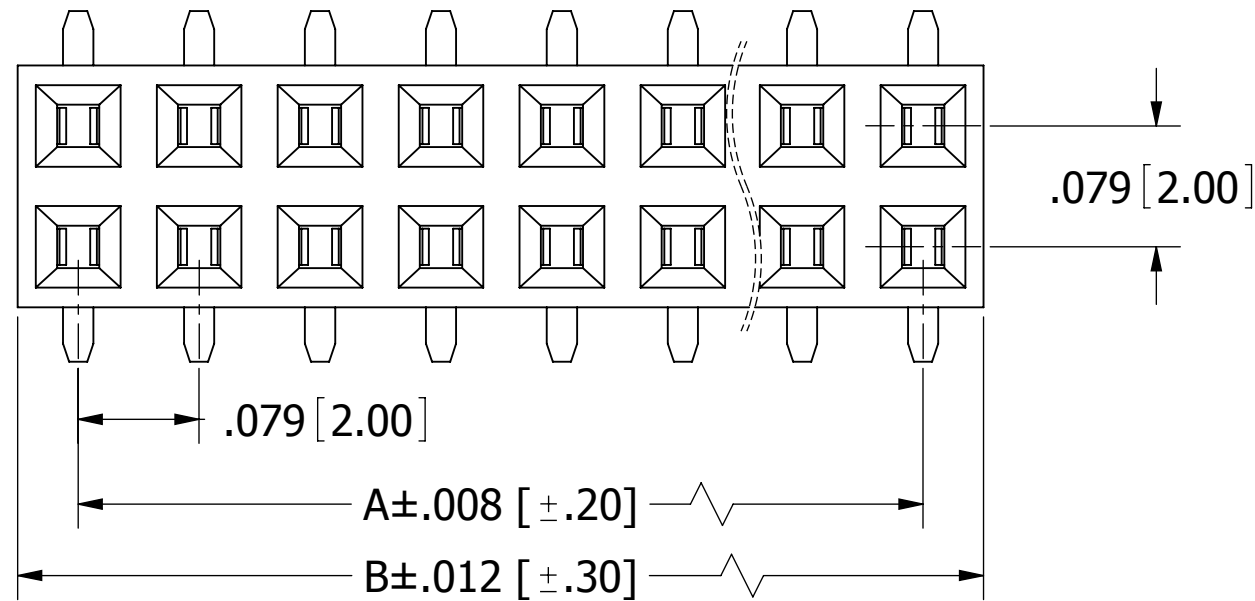
P = SURFACE MOUNT W/ GUIDE POSTS
S = SURFACE MOUNT W/O GUIDE POSTS

NUMBER OF POSITIONS

(CONTACTS PER ROW, 02 THRU 40)

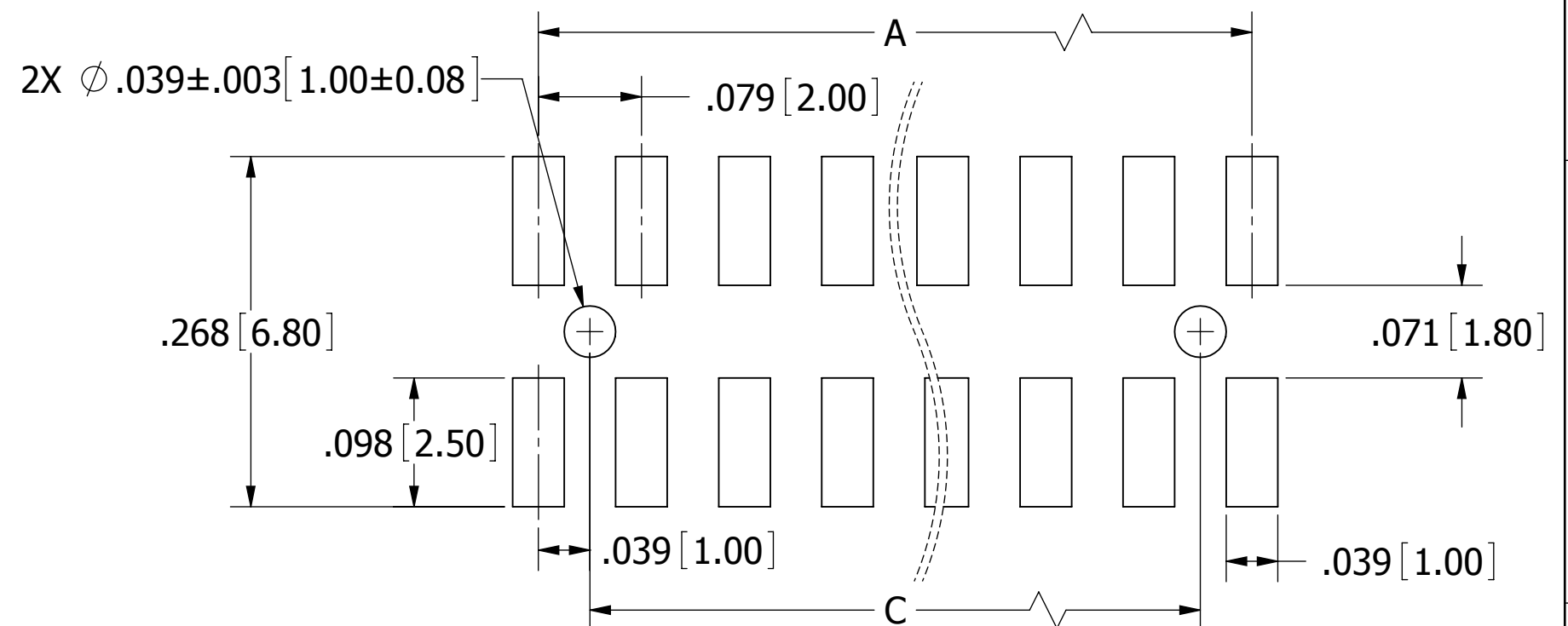
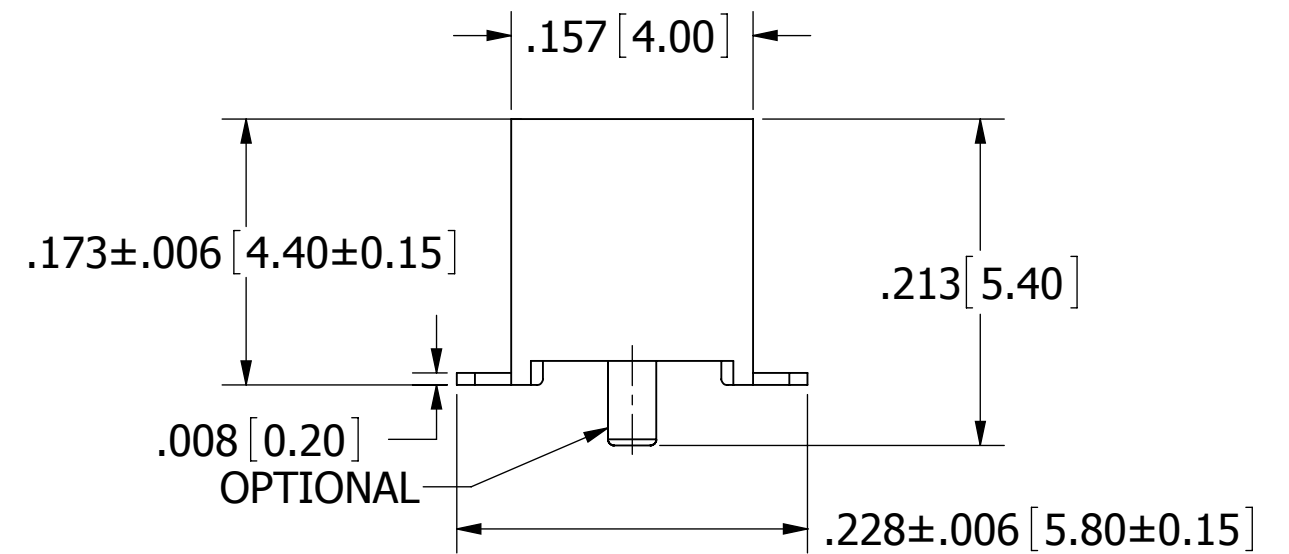
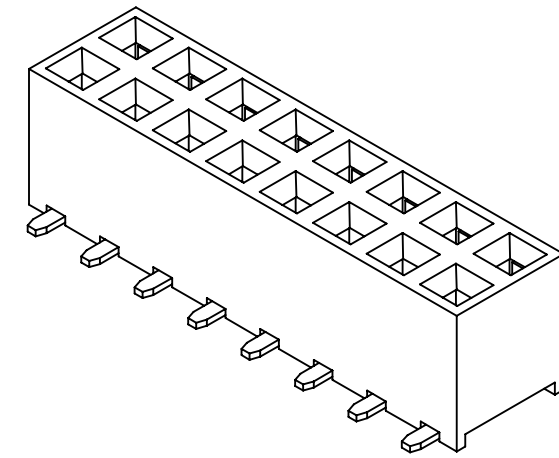
INSULATOR MATERIAL

N = NYLON 9T
OPERATING TEMPERATURE: -40° C TO +105° C
PROCESSING TEMP: 260°C MAX FOR 10 SECONDS
L = LCP
OPERATING TEMPERATURE: -40° C TO +125° C
PROCESSING TEMP: 260°C MAX FOR 10 SECONDS



02-20, 0.20mm MAX.
21-40, 0.30mm MAX.

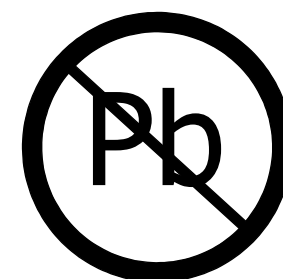
| REVISIONS | | | | |
|-----------|---------|---|------------|---------|
| REV. | ECO. NO | DESCRIPTION | DATE | BY |
| H | 2631 | ADD TOLERANCE FOR GUIDE POST & PCB HOLE FOR GUIDE POSTS | 7/19/2012 | JH |
| J | 2829 | ADD INSULATOR MATERIAL 'LCP' OPTION, UPGRADE NYLON 6T TO NYLON 9T | 09/11/2014 | LH/JHSU |



RECOMMENDED PCB SMT LAYOUT

NOTES:

- INSULATOR MATERIAL: SEE PART NUMBER CODING, UL 94V-0, COLOR: BLACK
- CONTACT MATERIAL: PHOSPHOR BRONZE
- CONTACT PLATING: .000030" - .000050" NICKEL UNDERPLATING, GOLD FLASH OVERALL
- CURRENT RATING: 2 AMPS
- INSULATOR RESISTANCE: 5000 MEGOHMS MIN
- CONTACT RESISTANCE: 20 MILLIOHMS MAX
- DIELECTRIC WITHSTANDING: 500 VAC
- OPERATING TEMPERATURE: SEE PART NUMBER CODING
- PROCESSING TEMP.: SEE PART NUMBER CODING
- MATES WITH SULLINS .079 [2.00] CONTACT CENTER MALE HEADER SERIES (.020 [0.50] SQUARE POSTS)



RoHS COMPLIANT

| | | | | |
|--|---|--------------|----------|------------------------------------|
| UNLESS OTHERWISE SPECIFIED: DIMENSIONS ARE IN INCHES [MM] | DRAWN | DATE | NAME | |
| | | 01/12/2009 | JH | |
| TOLERANCES: | <small>THE INFORMATION HEREIN CONTAINS PROPRIETARY INFORMATION OF SULLINS ELECTRONICS AND IS NOT TO BE REPRODUCED, USED OR DISCLOSED TO OTHERS FOR ANY PURPOSE EXCEPT AS SPECIFICALLY AUTHORIZED IN WRITING BY AN OFFICER OF SULLINS ELECTRONICS.</small> | | | TITLE |
| ANGULAR: | | | | HEADER, FEMALE 2mm CC, 2 ROWS, SMT |
| DECIMALS | | | | PART NUMBER |
| .XX=± .01 [3] | | | | xPPNxx2FFKx-RC |
| .XXX=± .008 [20] | SIZE | CAGE CODE | DWG. NO. | REV |
| .XXXX=± .0040 [100] | C | 54453 | 10485 | J |
| | SCALE: 8:1 | SHEET 1 OF 1 | | |

Looking for pricing, stock, or lifecycle information?

Click below to explore more details on WIN SOURCE:

- ⊖ [View NPPN252FFKP-RC on WIN SOURCE](#)
- ⊖ [Sullins Connector Solutions Information](#)

Optimize Your Supply Chain with WIN SOURCE Solutions

- ✓ Global Sourcing Solution
- ✓ Obsolete Management
- ✓ Cost Control Management
- ✓ Shortage Management
- ✓ Alternative Solution
- ✓ Excess Inventory Management