



**THE DATASHEET OF
MM126524**

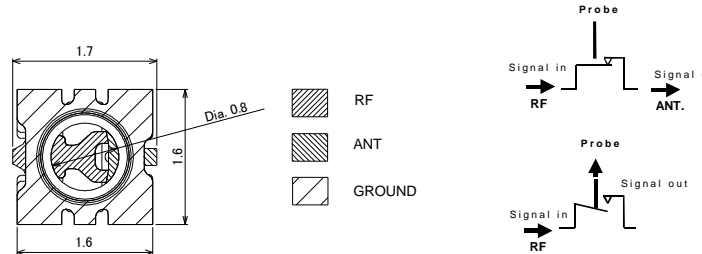


SPECIFICATION

1. MECHANICAL

Manual measurement probe for SWH-2WAY(MM8930-2620) to measure RF side performance.

B>



A>

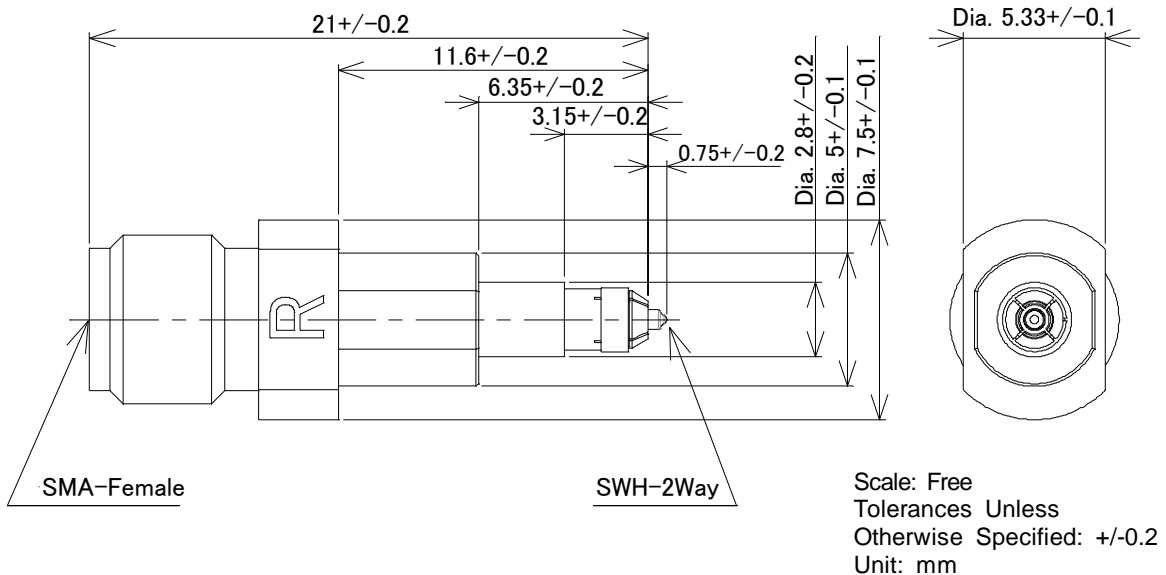


Figure.1 Construction

2. RATING:

Item	Specification
Voltage Rating	30V r.m.s. maximum
Nominal Frequency Range	DC to 6GHz
Nominal Impedance	50Ω
Temperature Rating	-40°C to +85°C
Insulation Resistance	500 MΩ minimum
Withstanding Voltage	No evidence of breakdown
Initial Contact Resistance (without conductor resistance)	70 m Ω max.
B> Voltage Standing Wave Ratio (V.S.W.R.)	Meet the requirements of following spec. 1.6 max.(DC ~ 3GHz) 1.9 max.(3GHz ~ 6GHz)
B> Insertion loss	0.5dB max. (DC ~ 3GHz) 0.8dB max. (3GHz ~ 6GHz)
B> Durability	2K cycles
B> Engage and disengage force. (PROBE side only)	a. Engagement 30N maximum b. Disengagement 5N minimum 23N maximum

Looking for pricing, stock, or lifecycle information?

Click below to explore more details on WIN SOURCE:

- ⊖ [View MM126524 on WIN SOURCE](#)
- ⊖ [Murata Electronics North America Information](#)

Optimize Your Supply Chain with WIN SOURCE Solutions

- ✓ Global Sourcing Solution
- ✓ Obsolete Management
- ✓ Cost Control Management
- ✓ Shortage Management
- ✓ Alternative Solution
- ✓ Excess Inventory Management