



**THE DATASHEET OF  
LT4294HDD#TRPBF**





# LT4294

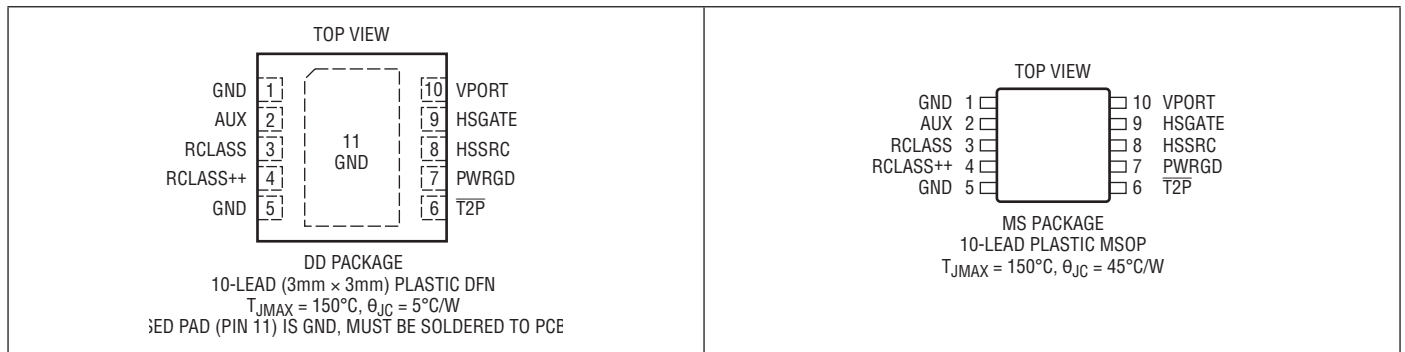
## ABSOLUTE MAXIMUM RATINGS

(Notes 1, 3)

VPORT, HSSRC Voltages .....	-0.3V to 100V
HSGATE Current.....	±20mA
RCLASS, RCLASS++ Voltages.....	-0.3V to 8V (and ≤ VPORT)
AUX Current.....	±1.4mA
T2P, PWRGD Voltage .....	-0.3V to 100V
T2P, PWRGD Current .....	5mA

Operating Junction Temperature Range (Note 4)	
LT4294I.....	-40°C to 85°C
LT4294H .....	-40°C to 125°C
Storage Temperature Range .....	-65°C to 150°C
Lead Temperature (Soldering, 10 sec.).....	300°C

## PIN CONFIGURATION



## ORDER INFORMATION

LEAD FREE FINISH	TAPE AND REEL	PART MARKING*	PACKAGE DESCRIPTION	TEMPERATURE RANGE
LT4294IDD#PBF	LT4294IDD#TRPBF	LHBX	10-Lead (3mm × 3mm) Plastic DFN	-40°C to 85°C
LT4294HDD#PBF	LT4294HDD#TRPBF	LHBX	10-Lead (3mm × 3mm) Plastic DFN	-40°C to 125°C
LT4294IMS#PBF	LT4294IMS#TRPBF	LTHBW	10-Lead Plastic MSOP	-40°C to 85°C
LT4294HMS#PBF	LT4294HMS#TRPBF	LTHBW	10-Lead Plastic MSOP	-40°C to 125°C

Contact the factory for parts specified with wider operating temperature ranges. \*The temperature grade is identified by a label on the shipping container.

[Tape and reel specifications](#). Some packages are available in 500 unit reels through designated sales channels with #TRMPBF suffix.

## ELECTRICAL CHARACTERISTICS

The ● denotes the specifications which apply over the full operating temperature range, otherwise specifications are at T<sub>A</sub> = 25°C. (Note 3)

SYMBOL	PARAMETER	CONDITIONS	MIN	TYP	MAX	UNITS
	VPORT Operating Input Voltage	At VPORT Pin			60	V
V <sub>SIG</sub>	VPORT Signature Range	At VPORT Pin	●	1.5	10	V
V <sub>CLASS</sub>	VPORT Classification Range	At VPORT Pin	●	12.5	21	V
V <sub>MARK</sub>	VPORT Mark Range	At VPORT Pin, Preceded by V <sub>CLASS</sub>	●	5.6	10	V

Rev. B

**ELECTRICAL CHARACTERISTICS** The ● denotes the specifications which apply over the full operating temperature range, otherwise specifications are at T<sub>A</sub> = 25°C. (Note 3)

SYMBOL	PARAMETER	CONDITIONS		MIN	TYP	MAX	UNITS
	VPORT Aux Mode Range	At VPORT Pin, AUX > V <sub>AUXT</sub>	●	8		60	V
	Signature/Class Hysteresis Window		●	1.0			V
V <sub>RESET</sub>	Reset Threshold	At VPORT Pin, Preceded by V <sub>CLASS</sub>	●	2.6		5.6	V
V <sub>HSON</sub>	Hot Swap Turn-On Voltage		●		35	37	V
V <sub>HSOFF</sub>	Hot Swap Turn-Off Voltage		●	30	31		V
	Hot Swap On/Off Hysteresis Window		●	3			V

**Supply Current**

	Supply Current	V <sub>VPORT</sub> = V <sub>HSSRC</sub> = 57V	●			2	mA
	Supply Current During Classification	V <sub>VPORT</sub> = 17.5V, RCLASS and RCLASS++ Open	●	0.4	0.7	0.9	mA
	Supply Current During Mark Event	V <sub>VPORT</sub> = V <sub>MARK</sub> After 1st Classification Event	●	0.5		2.2	mA

**Detection and Classification Signature**

	Detection Signature Resistance	V <sub>SIG</sub> (Note 2)	●	23.7	24.4	25.2	kΩ
	Resistance During Mark Event	V <sub>MARK</sub> (Note 2)	●	5.8	8.3	11	kΩ
	RCLASS/RCLASS++ Operating Voltage	-10mA ≥ I <sub>RCLASS</sub> ≥ -36mA, V <sub>CLASS</sub>	●	1.32	1.40	1.43	V
	Classification Signature Stability Time	V <sub>VPORT</sub> Step to 17.5V, 34.8Ω from RCLASS or RCLASS++ to GND	●			2	ms

**Analog/Digital Interface**

V <sub>AUXT</sub>	AUX Threshold		●	6.1	6.3	6.5	V
I <sub>AUXH</sub>	AUX Pin Hysteresis Current	V <sub>AUX</sub> = 6.1V	●	3.2	5	7	μA
	T2P Output Low	1mA Load	●			0.8	V
	PWRGD Output Low	1mA Load	●			0.8	V
	PWRGD Leakage Current	V <sub>PWRGD</sub> = 60V	●			5	μA
	T2P Leakage Current	T2P = 60V	●			5	μA

**Hot Swap Control**

I <sub>GPU</sub>	HSGATE Pull-Up Current	V <sub>HSGATE</sub> - V <sub>HSSRC</sub> = 5V (Note 6)	●	-27	-22	-18	μA
V <sub>GOC</sub>	HSGATE Open Circuit Voltage	-10μA Load, with Respect to HSSRC	●	10		18	V
	HSGATE Pull-Down Current	V <sub>HSGATE</sub> - V <sub>HSSRC</sub> = 5V	●	200			μA

**Timing**

f <sub>T2P</sub>	T2P Frequency	After PWRGD Valid, if IEEE802.3bt PSE Is Mutually Identified	●	690	840	990	Hz
	T2P Duty Cycle in PoE Operation (Note 5)	After 4-Event Classification After 5-Event Classification (RCLASS++ Has Resistor to GND)			50 25		% %
	T2P Duty Cycle in Auxiliary Supply Operation (Note 5)	V <sub>AUX</sub> > V <sub>AUXT</sub> , and RCLASS++ Has Resistor to GND			25		%

**Note 1:** Stresses beyond those listed under Absolute Maximum Ratings may cause permanent damage to the device. Exposure to any Absolute Maximum Rating condition for extended periods may affect device reliability and lifetime.

**Note 2:** Signature resistance specifications do not include resistance added by the external diode bridge which can add as much as 1.1k to the port resistance.

**Note 3:** All voltages with respect to GND unless otherwise noted. Positive currents are into pins; negative currents are out of pins unless otherwise noted.

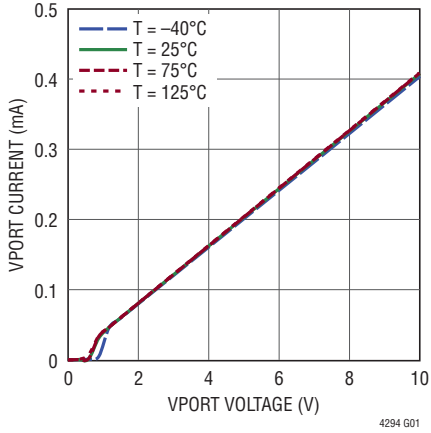
**Note 4:** This IC includes overtemperature protection that is intended to protect the device during momentary overload conditions. Junction temperature will exceed 150°C when overtemperature protection is active. Continuous operation above the specified maximum operating junction temperature may impair device reliability.

**Note 5:** Specified as the percentage of the period which T2P is low impedance with respect to GND.

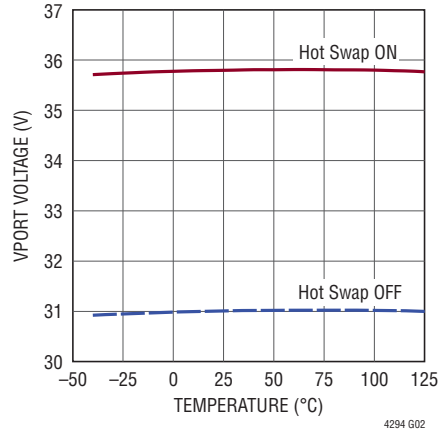
**Note 6:** I<sub>GPU</sub> available in PoE powered operation. That is, available after V<sub>VPORT</sub> > V<sub>HSON</sub> and V<sub>AUX</sub> < V<sub>AUXT</sub>, over the range where V<sub>VPORT</sub> is between V<sub>HSOFF</sub> and 60V.

# TYPICAL PERFORMANCE CHARACTERISTICS

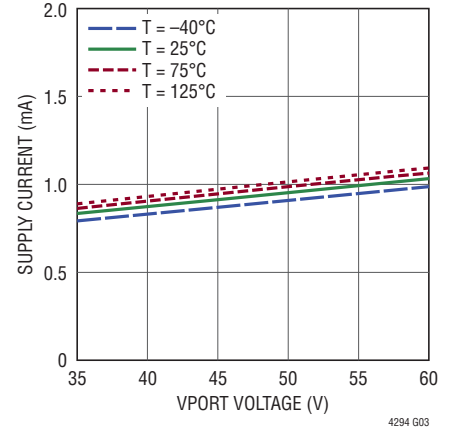
**Input Current vs Input Voltage 25k Detection Signature Range**



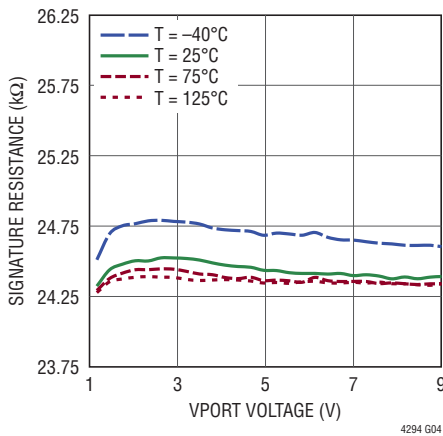
**VPORT Hot Swap Thresholds**



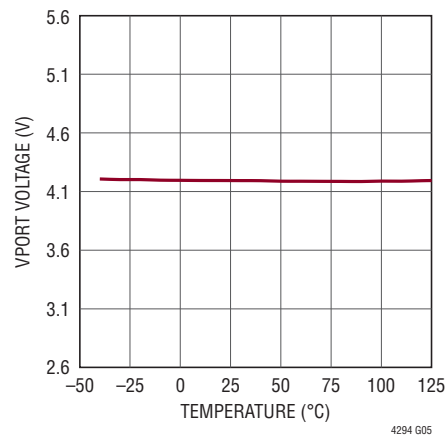
**Supply Current During Power-On**



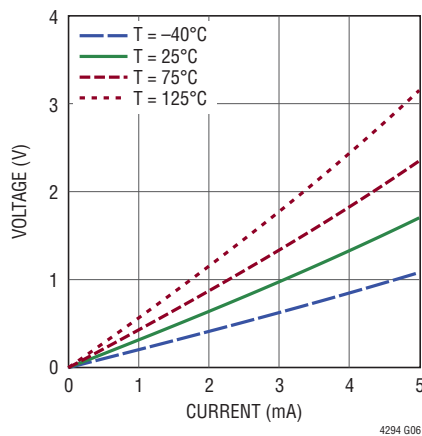
**Detection Signature Resistance vs Input Voltage**



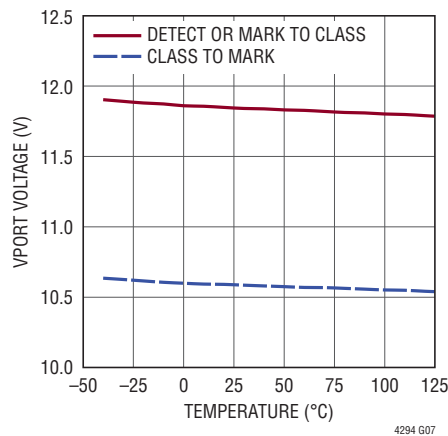
**Reset Threshold**



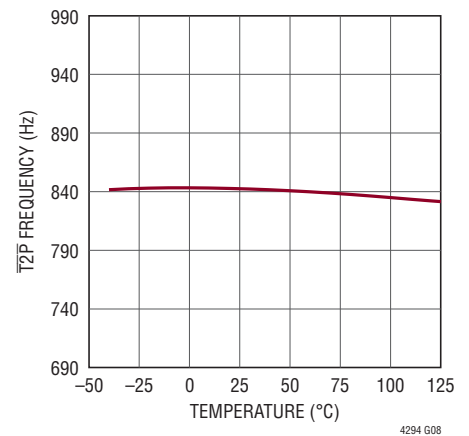
**PWRGD, T2P Output Low Voltage vs Current**



**VPORT Classification Thresholds**



**T2P Frequency**



## PIN FUNCTIONS

**GND (Pins 1, 5, DFN Exposed Pad Pin 11):** Device Ground. Exposed Pad must be electrically and thermally connected to pin 5 and PCB GND.

**AUX (Pin 2):** Auxiliary Sense. A resistive divider from the auxiliary power input to AUX sets the voltage at which the auxiliary supply takes over. In auxiliary power operation, HSGATE pulls down, the signature resistor disconnects, classification is disabled, the PWRGD pin is high impedance and  $\overline{T2P}$  indicates max available power. The AUX pin sinks  $I_{AUXH}$  when below its threshold voltage of  $V_{AUXT}$  to provide hysteresis. Connect to GND when not used.

**RCLASS (Pin 3):** Configurable PoE Classification Resistor. See Table 2.

**RCLASS++ (Pin 4):** Configurable PoE Classification Resistor. See Table 2.

**$\overline{T2P}$  (Pin 6):** PSE Type Indicator, Open-Drain Output. See the  $\overline{T2P}$  Output section for pin behavior.

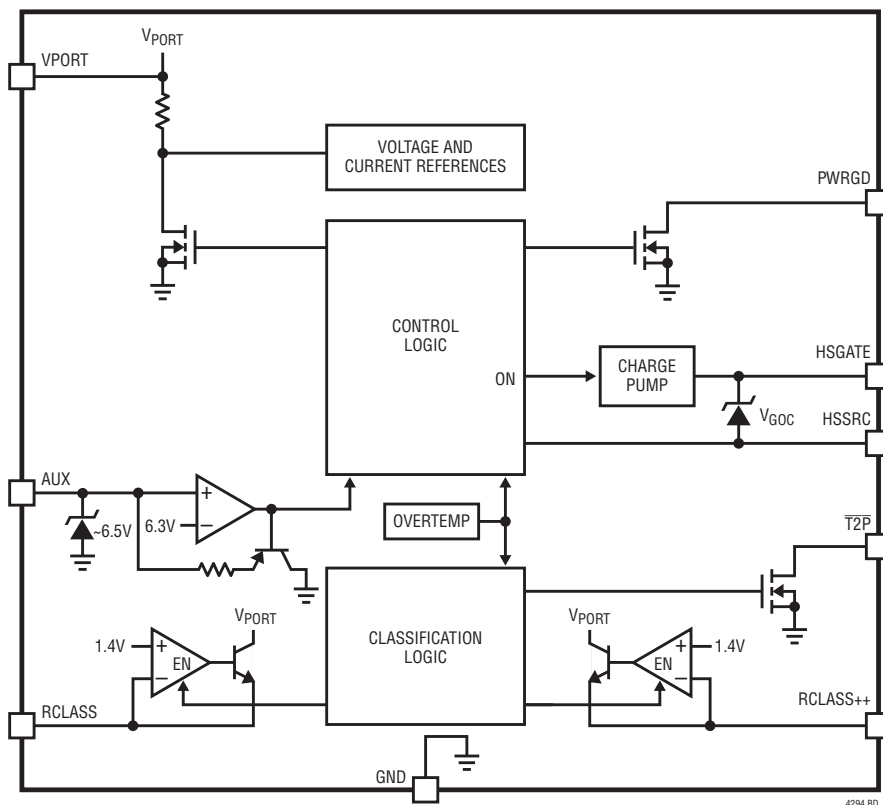
**PWRGD (Pin 7):** Power Good Indicator, Open-Drain Output. Pulls to GND during  $V_{CLASS}$  and inrush.

**HSSRC (Pin 8):** External Hot Swap MOSFET Source. Connect to source of the external MOSFET.

**HSGATE (Pin 9):** External Hot Swap MOSFET Gate Control, Output. Connect to gate of the external MOSFET.

**VPORT (Pin 10):** PD interface upper power rail and external Hot Swap MOSFET drain connection.

## BLOCK DIAGRAM



## APPLICATIONS INFORMATION

### OVERVIEW

Power over Ethernet (PoE) continues to gain popularity as products take advantage of DC power and high speed data available from a single RJ45 connector. Powered device (PD) equipment vendors are running into the 25.5W power limit established by the IEEE 802.3at standard.

The LT4294 is an IEEE 802.3bt-compliant PD interface controller, and allows up to 71.3W operation while maintaining backwards compatibility with existing PSE systems. The T2P output indicates the number of classification events received during IEEE 802.3bt-compliant mutual identification and negotiation of available power. The LT4294 controls a low  $R_{DS(ON)}$  N-channel MOSFET to maximize efficiency and delivered power.

Analog Devices also provides the LT4295, an IEEE 802.3bt-compliant PD with an integrated switching regulator to service applications that require a more compact and integrated solution.

### IEEE 802.3bt vs LTPoE++ Available Power

The LT4294 supports IEEE 802.3bt PD power levels up to 71.3W.

The LT4275 and LT4276 are available to support PD power levels up to 90W under the LTPoE++ standard. See the Related Parts section for a list of LTPoE++ products.

### MODES OF OPERATION

#### Detection Signature

During detection, the PSE looks for a 25k signature resistor which identifies the device as a PD. The PSE will apply two voltages in the range of 2.7V to 10.1V and measure the corresponding currents. Figure 1 shows the detection voltages. The PSE calculates the signature resistance using a  $\Delta V/\Delta I$  measurement technique.

The LT4294 presents its precision, temperature-compensated 24.4k resistor between the VPORT and GND pins, allowing the PSE to recognize a PD is present and requesting power to be applied. The LT4294 signature resistor is

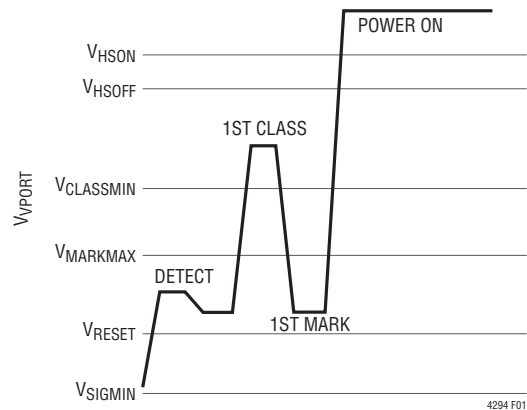


Figure 1. Type 3 or 4 PSE, 1-Event Class Sequence

smaller than 25k to compensate for the additional series resistance introduced by the IEEE required bridge or the LT4321-based ideal diode bridge.

### IEEE 802.3bt Single-Signature vs Dual-Signature PDs

IEEE 802.3bt defines two PD topologies: single-signature and dual-signature. The LT4294 primarily targets single-signature PD topologies, eliminating the need for a second PD controller. All PD descriptions and IEEE 802.3 standard references in this data sheet are limited in scope to single-signature PDs.

The LT4294 may be deployed in dual-signature PD applications. For more information, contact Analog Devices Applications.

### Classification Signature and Mark

The classification/mark process varies depending on the PSE type. A PSE, after a successful detection, may apply a classification probe voltage of 14.5V to 20.5V and measure the PD classification signature current. Once the PSE applies a classification probe voltage, the PSE returns the PD voltage to the mark voltage range before applying another classification probe voltage, or powering up the PD.

An example of 1-Event classification is shown in Figure 1. In 2-Event classification, a PSE probes for power classification twice as shown in Figure 2. An IEEE 802.3bt PSE may apply as many as 5 events before powering up the PD.

## APPLICATIONS INFORMATION

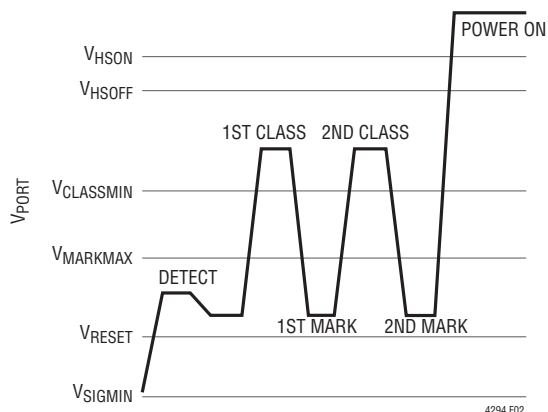


Figure 2. Type 2 PSE, 2-Event Class Sequence

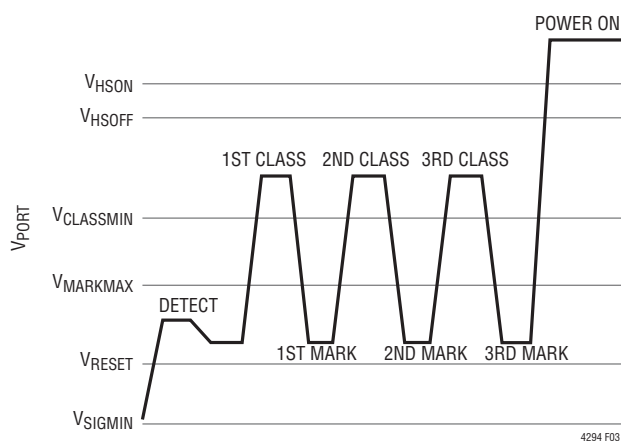


Figure 3. Type 3 or 4 PSE, 3-Event Class Sequence

### IEEE 802.3bt Physical Classification and Demotion

IEEE 802.3bt defines physical classification to allow a PD to request a power allocation from the connected PSE and to allow the PSE to inform the PD of the PSE’s available power. Demotion is provided if the PD Requested Power level is not available at the PSE. If demoted, the PD must operate in a lower power state.

The number of class/mark events issued by the PSE directly indicates the power allocated to the PD and is summarized in Table 1.

IEEE 802.3bt provides nine PD classes and four PD types, as shown in Table 2. The LT4294 class is configured by setting the  $R_{CLS}$  and  $R_{CLS++}$  resistor values.

Table 1. PSE Allocated Power

PD REQUESTED CLASS	NUMBER OF PSE CLASS/MARK EVENTS				
	1	2	3	4	5
0	13W				
1	3.84W				
2	6.49W				
3	13W				
4	<b>13W</b>	25.5W			
5	<b>13W</b>	<b>25.5W</b>	40W		
6	<b>13W</b>	<b>25.5W</b>	51W		
7	<b>13W</b>	<b>25.5W</b>	<b>51W</b>	62W	
8	<b>13W</b>	<b>25.5W</b>	<b>51W</b>	71.3W	

Note: Bold indicates the PD has been demoted.

Table 2. Single-Signature Classification, Power Levels and Resistor Selection

PD REQUESTED CLASS	PD REQUESTED POWER	PD TYPE	NOMINAL CLASS CURRENT	RESISTOR (1%)	
				$R_{CLS}$	$R_{CLS++}$
0	13W	Type 1	2.5mA	1.00k $\Omega$	Open
1	3.84W	Type 1 or 3	10.5mA	140 $\Omega$	Open
2	6.49W	Type 1 or 3	18.5mA	76.8 $\Omega$	Open
3	13W	Type 1 or 3	28mA	49.9 $\Omega$	Open
4	25.5W	Type 2 or 3	40mA	34.8 $\Omega$	Open
5	40W	Type 3	40mA/2.5mA	1.00k $\Omega$	37.4 $\Omega$
6	51W	Type 3	40mA/10.5mA	140 $\Omega$	46.4 $\Omega$
7	62W	Type 4	40mA/18.5mA	76.8 $\Omega$	64.9 $\Omega$
8	71.3W	Type 4	40mA/28mA	49.9 $\Omega$	118 $\Omega$

## APPLICATIONS INFORMATION

IEEE 802.3bt PSEs present a single classification event (see Figure 1) to Class 0 through 3 PDs. A Class 0 through 3 PD presents its class signature to the PSE and is then powered on if sufficient power is available. Power limited IEEE 802.3bt PSEs may issue a single event to Class 4 and higher PDs in order to demote those PDs to Class 3 (13W).

IEEE 802.3bt PSEs present up to three classification events, depending on PSE Type, to Class 4 PDs (see Figure 3). Class 4 PDs present a class signature 4 on all events. The third event differentiates a Class 4 PD from a higher Class PD. Power-limited IEEE 802.3bt PSEs may issue three events to Class 5 and higher PDs in order to demote those PDs to Class 4 (25.5W).

IEEE 802.3bt PSEs present four classification events (see Figure 4) to Class 5 and 6 PDs. Class 5 and 6 PDs present a class signature 4 on the first two events, then present a class signature 0 or 1, respectively, on the remaining events. Power limited IEEE 802.3bt PSEs may issue four events to Class 7 and higher PDs in order to demote those PDs to Class 6 (51W).

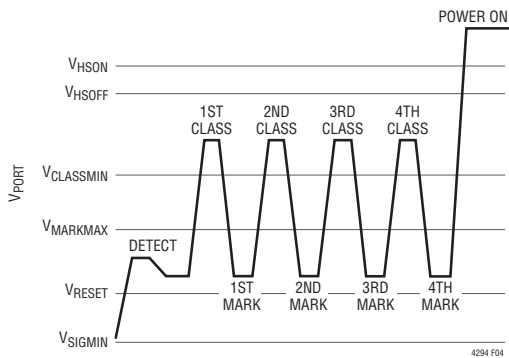


Figure 4. Type 3 or 4 PSE, 4-Event Class Sequence

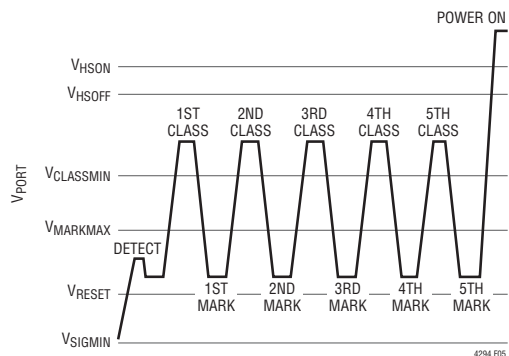


Figure 5. Type 4 PSE, 5-Event Class Sequence

IEEE 802.3bt PSEs present five classification events (see Figure 5) to Class 7 and 8 PDs. Class 7 and 8 PDs present a class signature 4 on the first two events, then present a class signature 2 or 3, respectively, on the remaining events.

The number of class/mark events is communicated through the LT4294  $\overline{T2P}$  pin. See  $\overline{T2P}$  Output section for more details.

### Classification Resistors ( $R_{CLS}$ and $R_{CLS++}$ )

The  $R_{CLS}$  and  $R_{CLS++}$  resistors set the classification currents corresponding to the PD power classification. Select the value of  $R_{CLS}$  and  $R_{CLS++}$  from Table 2 and connect each 1% resistor between the RCLASS, RCLASS++ pins and GND.

### Detection Signature Corrupt During Mark Event

During the mark event, the LT4294 presents  $<11k\Omega$  to the port as required by the IEEE 802.3 specification.

### Inrush and Power On

Once the PSE detects and classifies the PD, the PSE then powers on the PD. When the port voltage rises above the  $V_{HSON}$  threshold, it begins to source  $I_{GPU}$  out of the HSGATE pin. This current flows into an external capacitor,  $C_{GATE}$  in Figure 6, that causes a voltage to ramp up the gate of the external MOSFET. The external MOSFET acts as a source follower and ramps the voltage up on the output bulk capacitor,  $C_{PORT}$ , thereby determining the inrush current,  $I_{INRUSH}$ . Design  $I_{INRUSH}$  to be approximately  $\sim 100mA$ . See equation below:

$$I_{INRUSH} = I_{GPU} \cdot \frac{C_{PORT}}{C_{GATE}}$$

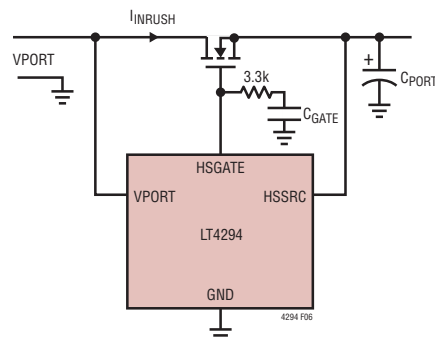


Figure 6. Configuring  $I_{INRUSH}$

## APPLICATIONS INFORMATION

The LT4294 internal charge pump provides an N-channel MOSFET solution, eliminating a larger and more costly P-channel MOSFET. The low  $R_{DS(ON)}$  MOSFET also maximizes power delivery and efficiency, reduces power and heat dissipation, and eases thermal design.

### Power Good

The PWRGD pin is held low by its open drain output until HSGATE charges up to approximately 7V above HSSRC. The PWRGD pin is used to hold off the downstream circuitry until inrush is complete and the external MOSFET is fully enhanced. The HSGATE pin remains high and the PWRGD pin remains open-drain until the port voltage falls below  $V_{HSOFF}$ .

### Delay Start

When the PSE powers up the port, the PD application should not draw more than 350mA for 80ms to comply with the IEEE 802.3 standard.

### Auxiliary Supply Override

If the AUX pin is held above  $V_{AUXT}$ , the LT4294 enters auxiliary power supply override mode. In this mode the signature resistor disconnects, classification is disabled, HSGATE pulls down, the PWRGD pin is open drain and  $\overline{T2P}$  pin indicates max available power.

The AUX pin allows for setting the auxiliary supply turn on and turn off voltage thresholds,  $V_{AUXON}$ , and  $V_{AUXOFF}$  respectively. The auxiliary supply hysteresis voltage,  $V_{AUXHYS}$ , is generated with sinking current,  $I_{AUXH}$ , and is active only when the AUX pin voltage is less than  $V_{AUXT}$ . Use the following equations to set  $V_{AUXON}$  and  $V_{AUXOFF}$  via R1 and R2 in Figure 7. Note that an internal 6.5V Zener limits the voltage on the AUX pin.

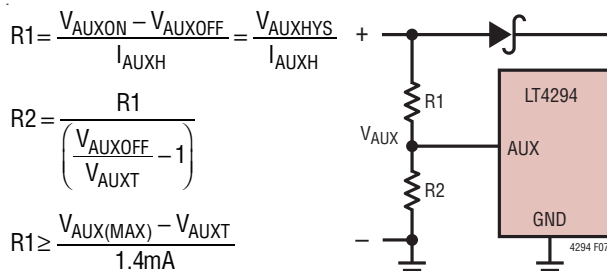


Figure 7. AUX Threshold and Hysteresis Calculation

A capacitor up to 1000pF may be placed between the AUX pin and GND to improve noise immunity.  $V_{AUXON}$  must be lower than  $V_{HSOFF}$ .

### $\overline{T2P}$ Output

The LT4294 communicates the PSE allocated power to the PD application via the  $\overline{T2P}$  pin. The  $\overline{T2P}$  pin state is determined by the AUX pin, the RCLASS<sup>++</sup> pin, and the number of classification events. The LT4294 uses a 4-state encoding for the  $\overline{T2P}$  output.  $\overline{T2P}$  state and the associated PSE allocated power are shown in Table 3.

Table 3.  $\overline{T2P}$  Response to Determine PSE Allocated Power

STATE	PD REQUESTED CLASS	NUMBER OF CLASSIFICATION EVENTS	$\overline{T2P}$ *	PSE ALLOCATED POWER
Auxiliary	0-4	N/A	Low-Z	AUX Power
	5-8	N/A	25%	AUX Power
PoE	0-4	1	Hi-Z	Min (PD Requested Power, 13W)
		$\geq 2$	Low-Z	25.5W
	5-8	1	Hi-Z	13W
		2 or 3	Low-Z	25.5W
		4	50%	Min (PD Requested Power, 51W)
		5	25%	Min (PD Requested Power, 71.3W)

\*Specified as the percentage of the period which  $\overline{T2P}$  is low impedance with respect to GND.

The highest priority input is the AUX pin. AUX is asserted to enter the auxiliary power state and deasserted to enter the PoE state. In the auxiliary power state, the  $\overline{T2P}$  pin indicates the highest available power, based on

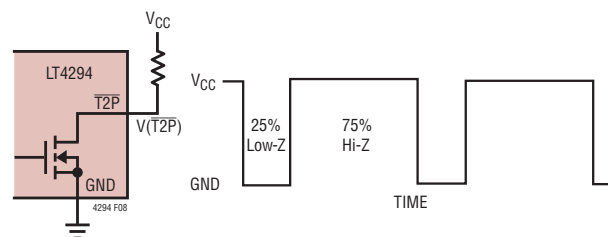


Figure 8. Response Example for 25% Low-Z, 75% Hi-Z

## APPLICATIONS INFORMATION

PD Requested Class. The auxiliary power supply must be sized to provide at least the PD Requested Power.

Second, PD Requested Class and PD Requested Power are configured using the RCLASS and RCLASS++ pins. The RCLASS++ pin alone can be used to determine if the PD Class is 0-4 or 5-8, as shown in Table 2.

Last, the number of classification events determines the amount of power allocated by the PSE as described in Table 1.

### Interoperability Across Various PSEs and Auxiliary Power Source

Table 4 summarizes the expected  $\overline{T2P}$  response, the PSE allocated power, and the number of classification events. The result is a function of PD Requested Class and power source—Auxiliary or PoE.

### Overtemperature Protection

The IEEE 802.3 specification requires a PD to withstand any applied voltage from 0V to 57V indefinitely. During classification, however, the power dissipation in the LT4294 may be as high as 1.5W. The LT4294 can easily tolerate this power for the maximum IEEE classification timing but overheats if this condition persists abnormally.

The LT4294 includes an overtemperature protection feature which is intended to protect the device during momentary overload conditions. If the junction temperature exceeds the overtemperature threshold, the LT4294 pulls down HSGATE pin, and disables classification.

## EXTERNAL INTERFACE AND COMPONENT SELECTION

### PoE Input Bridge

A PD is required to polarity-correct its input voltage. There are several different options available for bridge rectifiers;

**Table 4. LT4294 Interoperability ( $\overline{T2P}$  Response\*, PSE Allocated Power, Number of Classification Events)**

PD REQUESTED CLASS (PD REQUESTED POWER)	PSE TYPE, CLASS (POWER)							AUXILIARY POWER SOURCE**
	IEEE 802.3 TYPE 1	IEEE 802.3 TYPE 2	IEEE 802.3 TYPE 3			IEEE 802.3 TYPE 4		
	CLASS 3 (13W)	CLASS 4 (25.5W)	CLASS 4 (25.5W)	CLASS 5 (40W)	CLASS 6 (51W)	CLASS 7 (62W)	CLASS 8 (71.3W)	
<b>CLASS 0-3 (Up to 13W)</b>	Hi-Z Up to 13W 1-Event	Hi-Z Up to 13W 1-Event	Hi-Z Up to 13W 1-Event	Hi-Z Up to 13W 1-Event	Hi-Z Up to 13W 1-Event	Hi-Z Up to 13W 1-Event	Hi-Z Up to 13W 1-Event	Low-Z Aux. Power N/A
<b>CLASS 4 (25.5W)</b>	Hi-Z 13W 1-Event	Low-Z 25.5W 2-Event	Low-Z 25.5W 3-Event	Low-Z 25.5W 3-Event	Low-Z 25.5W 3-Event	Low-Z 25.5W 3-Event	Low-Z 25.5W 3-Event	Low-Z Aux. Power N/A
<b>CLASS 5 (40W)</b>	Hi-Z 13W 1-Event	Low-Z 25.5W 2-Event	Low-Z 25.5W 3-Event	50% 40W 4-Event	50% 40W 4-Event	50% 40W 4-Event	50% 40W 4-Event	25% Aux. Power N/A
<b>CLASS 6 (51W)</b>	Hi-Z 13W 1-Event	Low-Z 25.5W 2-Event	Low-Z 25.5W 3-Event	Low-Z 25.5W 3-Event	50% 51W 4-Event	50% 51W 4-Event	50% 51W 4-Event	25% Aux. Power N/A
<b>CLASS 7 (62W)</b>	Hi-Z 13W 1-Event	Low-Z 25.5W 2-Event	Low-Z 25.5W 3-Event	Low-Z 25.5W 3-Event	50% 51W 4-Event	25% 62W 5-Event	25% 62W 5-Event	25% Aux. Power N/A
<b>CLASS 8 (71.3W)</b>	Hi-Z 13W 1-Event	Low-Z 25.5W 2-Event	Low-Z 25.5W 3-Event	Low-Z 25.5W 3-Event	50% 51W 4-Event	50% 51W 4-Event	25% 71.3W 5-Event	25% Aux. Power N/A

$\overline{T2P}$ Response* →	25%
PSE Allocated Power →	71.3W
Number of Classification Events →	5-Event

Note 1. Shade of blue indicates the PD has been demoted or denied power.

\* Specified as the percentage of the period which  $\overline{T2P}$  is low impedance with respect to GND.

\*\* Auxiliary Power Supply must be sized to provide PD Requested Power.

## APPLICATIONS INFORMATION

silicon diodes, Schottky diodes, and ideal diodes. When silicon or Schottky diode bridges are used, the diode forward voltage drops affect the voltage at the VPORT pin. The LT4294 is designed to tolerate these voltage drops. Note, the voltage parameters shown in the Electrical Characteristics are specified at the LT4294 package pins.

A silicon diode bridge consumes up to 4% of the available power. In addition, silicon diode bridges exhibit poor pairset-to-pairset unbalance performance. Each branch of a silicon diode bridge shares source/return current, and thermal runaway can cause large, non-compliant current unbalances between pairsets.

While using Schottky diodes can help reduce the power loss with a lower forward voltage, the Schottky bridge may not be suitable for high temperature PD applications. Schottky diode bridges exhibit temperature induced leakage currents. The leakage current has a voltage dependency that can invalidate the measured detection signature. In addition, these leakage currents can back-feed through the unpowered branch and the unused bridge, violating IEEE 802.3 specifications.

For high efficiency applications, the LT4294 supports an LT4321-based PoE ideal diode bridge that reduces the forward voltage drop from 0.7V to 20mV per diode while maintaining IEEE 802.3 compliance. The LT4321 simplifies thermal design, eliminates costly heatsinks, and can operate in space-constrained applications.

### Auxiliary Input Diode Bridge

Some PDs are required to receive AC or DC power from an auxiliary power source. A diode bridge is typically required to handle the voltage rectification and polarity correction.

In high efficiency applications, or in low auxiliary input voltage applications, the voltage drop across the rectifier cannot be tolerated. The LT4294 can be configured with an LT4320-based ideal diode bridge to recover the diode voltage drop and ease thermal design.

For applications with auxiliary input voltages below 10V, the LT4294 must be configured with an LT4320-based ideal diode bridge to recover the voltage drop and guarantee the

minimum VPORT voltage is within the VPORT AUX Mode Range as specified in the Electrical Characteristics table.

An example of a high efficiency typical application circuit is shown in the Typical Application section.

### Input Capacitor

A 0.1 $\mu$ F capacitor is needed from V<sub>PORT</sub> to GND to meet the input impedance requirement in IEEE 802.3 and to properly bypass the LT4294. When operating with the LT4321, locally bypass each with a 0.047 $\mu$ F capacitor, thus keeping the total port capacitance within specification.

### Transient Voltage Suppressor

The LT4294 specifies an absolute maximum voltage of 100V and is designed to tolerate brief overvoltage events due to Ethernet cable surges. To protect the LT4294 from an overvoltage event, install a unidirectional transient voltage suppressor (TVS) such as an SMAJ58A between the V<sub>PORT</sub> and GND pins. For PD applications that require an auxiliary power input, install a TVS between V<sub>IN</sub> and GND. See Layout Considerations for TVS placement.

For extremely high cable discharge and surge protection, contact Analog Devices Applications.

### Exposed Pad

The LT4294 DFN package has an exposed pad that is internally electrically connected to GND. The exposed pad may only be connected to GND on the printed circuit board.

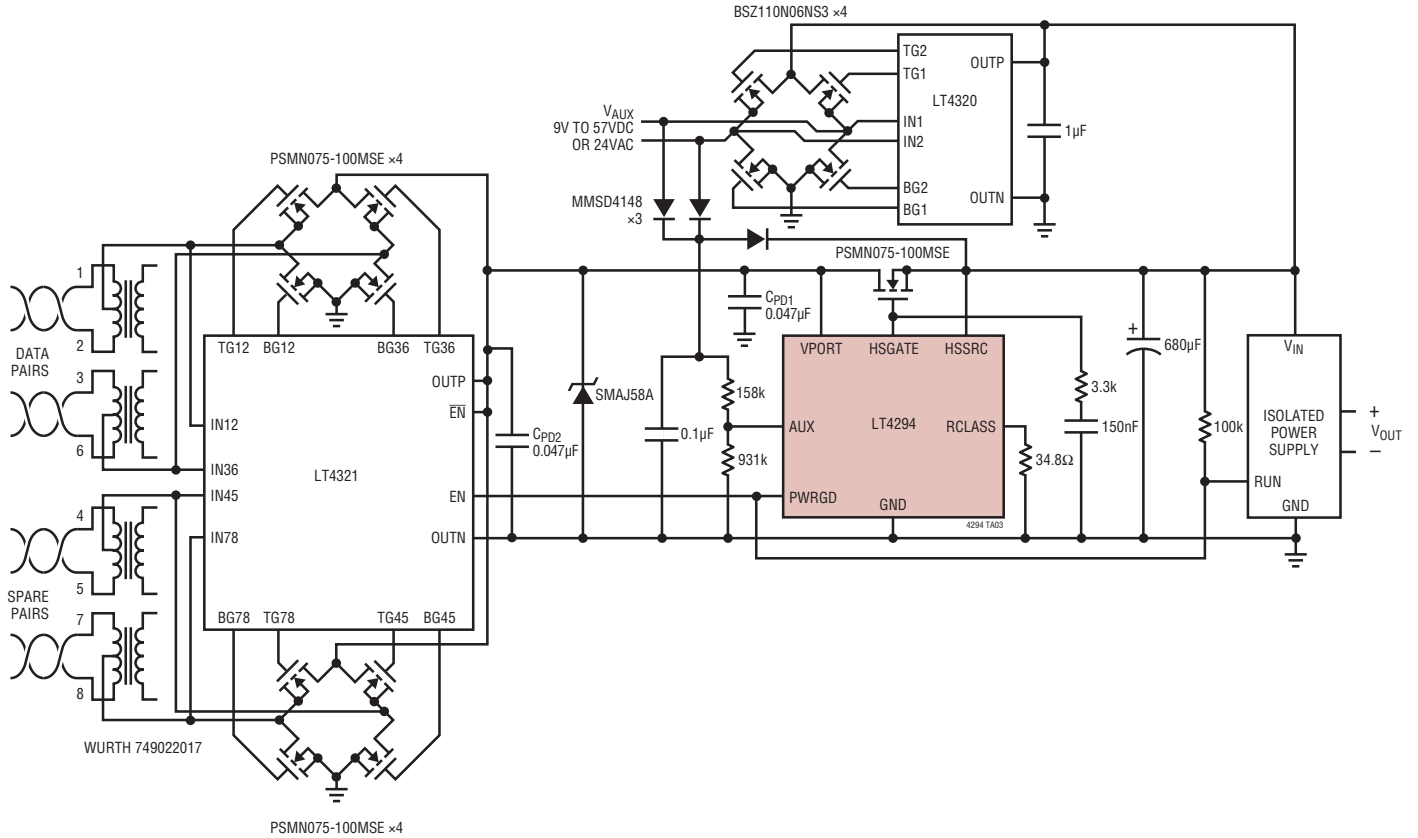
## LAYOUT CONSIDERATIONS

Avoid excessive parasitic capacitance on the RCLASS and RCLASS++ pins and place resistors R<sub>CLS</sub> and R<sub>CLS++</sub> close to the LT4294.

It is strictly required for maximum protection to place the 0.1 $\mu$ F input capacitor, C<sub>PD</sub>, and transient voltage suppressor as close to the LT4294 as possible. When operating the LT4294 with the LT4321, place a 0.047 $\mu$ F capacitor, C<sub>PD1</sub>, as close as possible to the LT4294 VPORT and GND pins (pin 10 and pin 5, respectively), and a 0.047 $\mu$ F capacitor, C<sub>PD2</sub>, as close as possible to the LT4321 OUTP and OUTN pins.

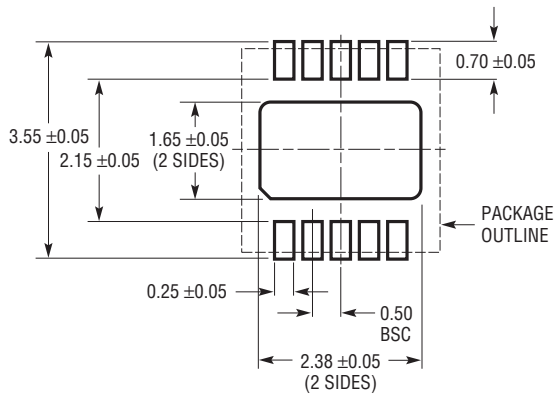
## TYPICAL APPLICATIONS

### High Efficiency 25.5W PD Solution with 12V<sub>DC</sub> and 24V<sub>AC</sub> Auxiliary Input

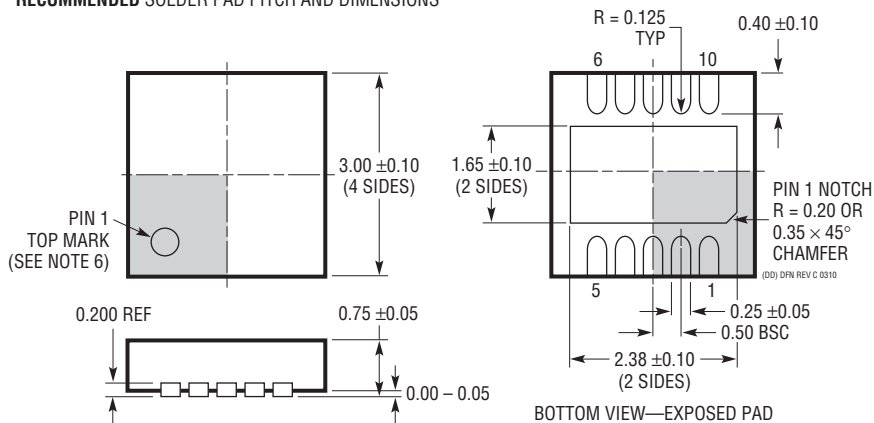


**PACKAGE DESCRIPTION**

**DD Package**  
**10-Lead Plastic DFN (3mm × 3mm)**  
 (Reference LTC DWG # 05-08-1699 Rev C)



**RECOMMENDED SOLDER PAD PITCH AND DIMENSIONS**

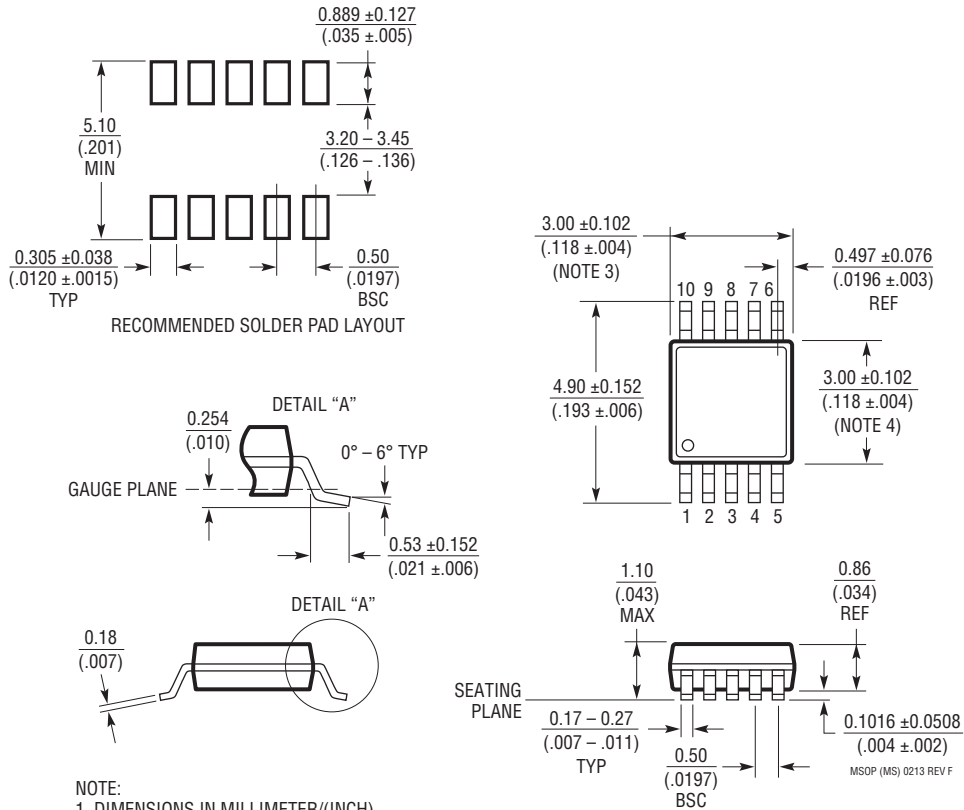


**NOTE:**

1. DRAWING TO BE MADE A JEDEC PACKAGE OUTLINE M0-229 VARIATION OF (WEED-2). CHECK THE LTC WEBSITE DATA SHEET FOR CURRENT STATUS OF VARIATION ASSIGNMENT
2. DRAWING NOT TO SCALE
3. ALL DIMENSIONS ARE IN MILLIMETERS
4. DIMENSIONS OF EXPOSED PAD ON BOTTOM OF PACKAGE DO NOT INCLUDE MOLD FLASH. MOLD FLASH, IF PRESENT, SHALL NOT EXCEED 0.15mm ON ANY SIDE
5. EXPOSED PAD SHALL BE SOLDER PLATED
6. SHADED AREA IS ONLY A REFERENCE FOR PIN 1 LOCATION ON THE TOP AND BOTTOM OF PACKAGE

**PACKAGE DESCRIPTION**

**MS Package**  
**10-Lead Plastic MSOP**  
 (Reference LTC DWG # 05-08-1661 Rev F)



- NOTE:
1. DIMENSIONS IN MILLIMETER/(INCH)
  2. DRAWING NOT TO SCALE
  3. DIMENSION DOES NOT INCLUDE MOLD FLASH, PROTRUSIONS OR GATE BURRS.  
MOLD FLASH, PROTRUSIONS OR GATE BURRS SHALL NOT EXCEED 0.152mm (.006") PER SIDE
  4. DIMENSION DOES NOT INCLUDE INTERLEAD FLASH OR PROTRUSIONS.  
INTERLEAD FLASH OR PROTRUSIONS SHALL NOT EXCEED 0.152mm (.006") PER SIDE
  5. LEAD COPLANARITY (BOTTOM OF LEADS AFTER FORMING) SHALL BE 0.102mm (.004") MAX

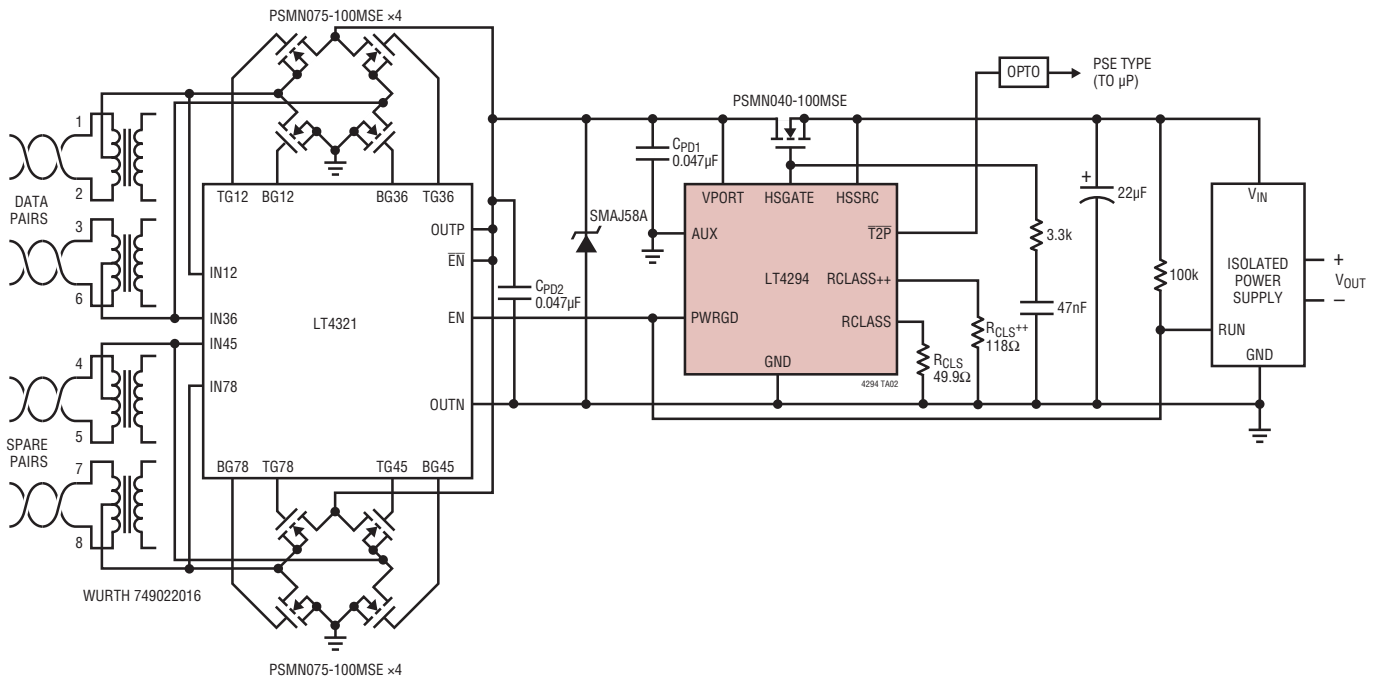
MSOP (MS) 0213 REV F

## REVISION HISTORY

REV	DATE	DESCRIPTION	PAGE NUMBER
A	09/18	Updated to IEEE 802.3af/at/bt (Draft 3.5) Revised T2P Output Applications Information Revised External Interface and Component Selection Applications Information	1-16 10, 11 11, 12
B	04/19	Removed Draft Number Added Table 4 – Interoperability	1-16 11

## TYPICAL APPLICATION

IEEE 802.3bt-Compliant > 99% Efficiency 71.3W Powered Device



## RELATED PARTS

PART NUMBER	DESCRIPTION	COMMENTS
<a href="#">LT4293</a>	LTPoE++/IEEE 802.3bt PD Interface	Mutually Identified with LTPoE++ and IEEE 802.3bt PSEs
<a href="#">LT4295</a>	IEEE 802.3bt PD with Forward/Flyback Switching Regulator Controller	External Switch, IEEE 802.3bt Support, Configurable Class, Forward or No-Opto Flyback Operation, Frequency, PG/SG Delays, Soft-Start, and Aux Support as Low as 9V, Including Housekeeping Buck, Slope Compensation
<a href="#">LT4321</a>	PoE Ideal Diode Bridge Controller	Controls 8-NMOSFETs for IEEE-Required PD Voltage Rectification without Diode Drops
<a href="#">LT4320/LT4320-1</a>	Ideal Diode Bridge Controller	9V – 72V, DC to 600Hz Input. Controls 4-NMOSFETs, Voltage Rectification without Diode Drops
<a href="#">LTC4292/LTC4291-1</a>	4-Port IEEE 802.3bt PSE Controller	Transformer Isolation, Supports IEEE 802.3bt PDs
<a href="#">LTC4279</a>	Single PoE/PoE+/LTPoE++ PSE Controller	Supports IEEE 802.3af, IEEE 802.3at, LTPoE++ and Proprietary PDs
<a href="#">LTC4290/LTC4271</a>	8-Port PoE/PoE+/LTPoE++ PSE Controller	Transformer Isolation, Supports IEEE 802.3af, IEEE 802.3at and LTPoE++ PDs
<a href="#">LT4276A/B/C</a>	LTPoE++/PoE+/PoE PD with Forward/Flyback Switching Regulator Controller	External Switch, LTPoE++ Support, User-Configurable Class, Forward or No-Opto Flyback Operation, Frequency, PG/SG Delays, Soft-Start, and Aux Support as Low as 9V, Including Housekeeping Buck, Slope Compensation
<a href="#">LT4275A/B/C</a>	LTPoE++/PoE+/PoE PD Controller	External Switch, LTPoE++ Support
<a href="#">LTC4269-1</a>	IEEE 802.3at PD Interface with Integrated Flyback Switching Regulator	2-Event Classification, Programmable Class, Synchronous No-Opto Flyback Controller, 50kHz to 250kHz, Aux Support
<a href="#">LTC4269-2</a>	IEEE 802.3at PD Interface with Integrated Forward Switching Regulator	2-Event Classification, Programmable Class, Synchronous Forward Controller, 100kHz to 500kHz, Aux Support
<a href="#">LTC4278</a>	IEEE 802.3at PD Interface with Integrated Flyback Switching Regulator	2-Event Classification, Programmable Class, Synchronous No-Opto Flyback Controller, 50kHz to 250kHz, 12V Aux Support
<a href="#">LTC4267/LTC4267-1/LTC4267-3</a>	IEEE 802.3af PD Interface with Integrated Switching Regulator	Internal 100V, 400mA Switch, Programmable Class, 200/300kHz Constant Frequency PWM

Rev. B

## Looking for pricing, stock, or lifecycle information?

Click below to explore more details on WIN SOURCE:

 [View LT4294HDD#TRPBF on WIN SOURCE](#)

 [Analog Devices Inc. Information](#)

## Optimize Your Supply Chain with WIN SOURCE Solutions

-  Global Sourcing Solution
-  Obsolete Management
-  Cost Control Management
-  Shortage Management
-  Alternative Solution
-  Excess Inventory Management