



**THE DATASHEET OF  
CYW20707UA2KFFB4G**





**Please note that Cypress is an Infineon Technologies Company.**

The document following this cover page is marked as “Cypress” document as this is the company that originally developed the product. Please note that Infineon will continue to offer the product to new and existing customers as part of the Infineon product portfolio.

**Continuity of document content**

The fact that Infineon offers the following product as part of the Infineon product portfolio does not lead to any changes to this document. Future revisions will occur when appropriate, and any changes will be set out on the document history page.

**Continuity of ordering part numbers**

Infineon continues to support existing part numbers. Please continue to use the ordering part numbers listed in the datasheet for ordering.



**PRELIMINARY**

**CYW20707**

# Bluetooth SoC for Embedded Wireless Devices

## General Description

The Cypress CYW20707 is a single-chip Bluetooth 4.2-compliant, stand-alone baseband processor with an integrated 2.4 GHz transceiver. Manufactured using the industry's most advanced 40 nm CMOS low-power process, the CYW20707 employs the highest level of integration to eliminate all critical external components, thereby minimizing the device's footprint and the costs associated with implementing Bluetooth solutions.

The CYW20707 is the optimal solution for embedded and IoT applications. Built-in firmware adheres to the Bluetooth Low Energy (BLE) profile.

## Cypress Part Numbering Scheme

Cypress is converting the acquired IoT part numbers from Cypress to the Cypress part numbering scheme. Due to this conversion, there is no change in form, fit, or function as a result of offering the device with Cypress part number marking. The table provides Cypress ordering part number that matches an existing IoT part number.

**Table 1. Mapping Table for Part Number between Broadcom and Cypress**

Broadcom Part Number	Cypress Part Number
BCM20707	CYW20707
BCM20707UA2KFFB4G	CYW20707UA2KFFB4G
BCM20707UA2EKUBGT	CYW20707UA2EKUBGT

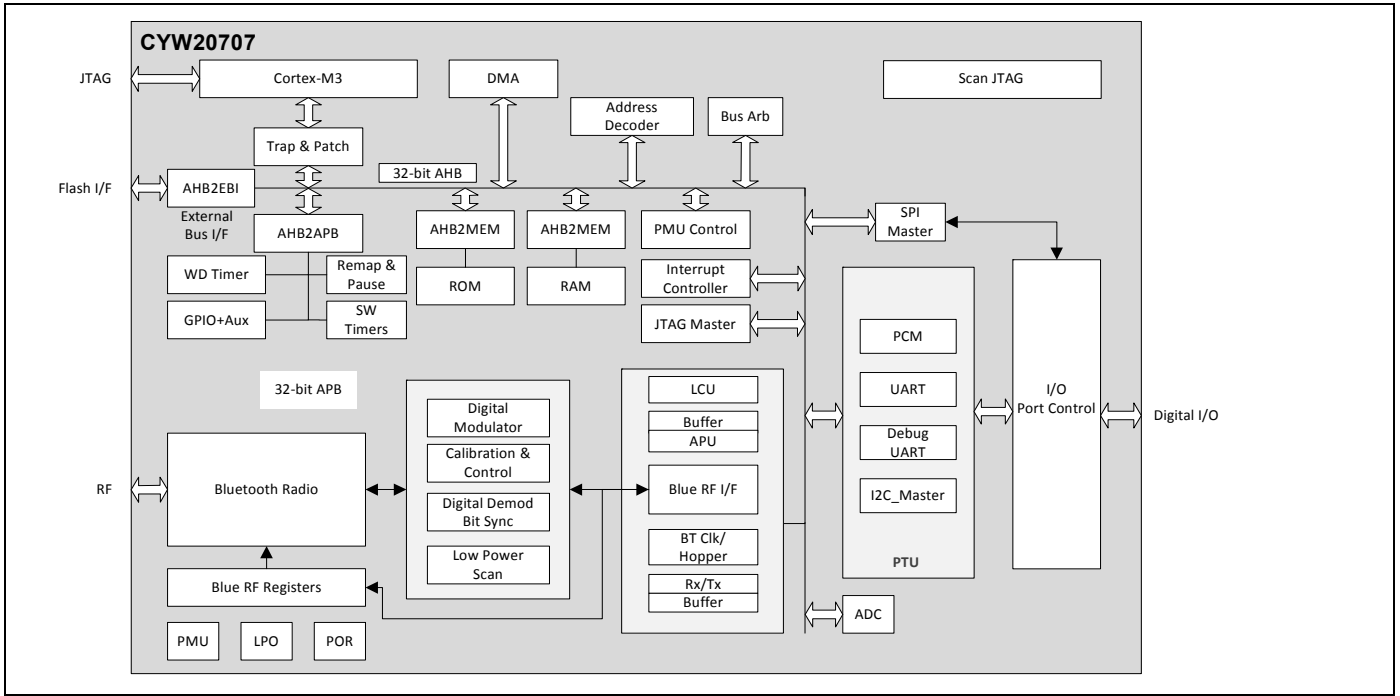
## Features

- Complies with Bluetooth Core Specification version 4.2 including BR/EDR/BLE
- Broadcom proprietary LE data rate up to 2 Mbps
- BLE HID profile version 1.00 compliant
- Bluetooth Device ID profile version 1.3 compliant
- Supports Generic Access Profile (GAP)
- Supports Adaptive Frequency Hopping (AFH)
- Excellent receiver sensitivity
- Programmable output power control
- Integrated ARM Cortex-M3 microprocessor core
- On-chip power-on reset (POR)
- Support for EEPROM and serial flash interfaces
- Integrated low dropout regulators (LDO)
- On-chip software controlled PMU
- PCM/I<sup>2</sup>S Interface
- Infrared modulator
- IR learning
- On-chip support for SPI (master/slave modes)
- Broadcom Serial Communications interface (compatible with NXP I<sup>2</sup>C slaves)
- Package types:
  - 49-pin FBGA package (4.5 mm x 4.0 mm) Bluetooth 4.2-compliant
  - 36-pin WLBGA package (2.8 mm x 2.5 mm) Bluetooth 4.2-complaint
  - RoHS compliant

## Applications

- Home automation
- Point-of-sale input devices
- Blood pressure monitors
- "Find me" devices
- Heart rate monitors
- Proximity sensors
- Thermometers
- Wearables

Figure 1. Functional Block Diagram



## Contents

<b>1. Functional Description .....</b>	<b>4</b>	1.14 Infrared Learning .....	16
1.1 Bluetooth Baseband Core .....	4	1.15 Power Management Unit .....	17
1.1.1 Bluetooth 4.2 Features .....	4	1.15.1 RF Power Management .....	17
1.1.2 Link Control Layer .....	5	1.15.2 Host Controller Power Management .....	17
1.1.3 Test Mode Support .....	5	1.15.3 BBC Power Management .....	17
1.1.4 Frequency Hopping Generator .....	5	<b>2. Pin Assignments.....</b>	<b>18</b>
1.2 Microprocessor Unit .....	6	2.1 Pin Descriptions .....	18
1.2.1 NVRAM Configuration Data and Storage .....	6	2.1.1 49-Pin FBGA List .....	18
1.2.2 One-Time Programmable Memory .....	6	2.1.2 36-Pin WLBGA List .....	22
1.2.3 External Reset .....	7	2.2 Ball Map .....	24
1.3 Integrated Radio Transceiver .....	8	2.2.1 49-Pin FBGA Ball Map .....	24
1.3.1 Transmit .....	8	2.2.2 36-Pin WLBGA Ball Map .....	25
1.3.2 Receiver .....	8	<b>3. Specifications .....</b>	<b>26</b>
1.3.3 Local Oscillator Generation .....	8	3.1 Electrical Characteristics .....	26
1.3.4 Calibration .....	9	3.1.1 Digital I/O Characteristics .....	29
1.3.5 Internal LDO .....	9	3.1.2 Current Consumption .....	30
1.4 Collaborative Coexistence .....	9	3.2 RF Specifications .....	31
1.5 Global Coexistence Interface .....	9	3.3 Timing and AC Characteristics .....	34
1.5.1 SECI I/O .....	9	3.3.1 UART Timing .....	34
1.6 Peripheral Transport Unit .....	10	3.3.2 SPI Timing .....	35
1.6.1 Broadcom Serial Communications Interface .....	10	3.3.3 BSC Interface Timing .....	37
1.6.2 UART Interface .....	10	3.3.4 PCM Interface Timing .....	38
1.7 PCM Interface .....	12	3.3.5 I <sup>2</sup> S Timing .....	41
1.7.1 Slot Mapping .....	12	<b>4. Mechanical Information.....</b>	<b>44</b>
1.7.2 Frame Synchronization .....	12	4.1 Package Diagrams .....	44
1.7.3 Data Formatting .....	12	4.2 Tape Reel and Packaging Specifications .....	46
1.7.4 Burst PCM Mode .....	12	<b>5. Ordering Information.....</b>	<b>47</b>
1.8 Clock Frequencies .....	13	<b>6. Additional information .....</b>	<b>48</b>
1.8.1 Crystal Oscillator .....	13	6.1 Acronyms and Abbreviations .....	48
1.9 GPIO Ports .....	14	6.2 IoT Resources .....	49
1.9.1 49-Pin FBGA Package .....	14	<b>Document History Page .....</b>	<b>50</b>
1.9.2 36-Pin WLBGA Package .....	14	<b>Sales, Solutions, and Legal Information .....</b>	<b>51</b>
1.10 PWM .....	15		
1.11 Triac Control .....	16		
1.12 Serial Peripheral Interface .....	16		
1.13 Infrared Modulator .....	16		

## 1. Functional Description

### 1.1 Bluetooth Baseband Core

The Bluetooth Baseband Core (BBC) implements all of the time-critical functions required for high-performance Bluetooth operation. The BBC manages the buffering, segmentation, and routing of data for all connections. It also buffers data that passes through it, handles data flow control, schedules SCO/ACL and TX/RX transactions, monitors Bluetooth slot usage, optimally segments and packages data into baseband packets, manages connection status indicators, and composes and decodes HCI packets. In addition to these functions, it independently handles HCI event types, and HCI command types. The following transmit and receive functions are also implemented in the BBC hardware to increase reliability and security of the TX/RX data before sending over the air:

- Symbol timing recovery, data deframing, forward error correction (FEC), header error control (HEC), cyclic redundancy check (CRC), data decryption, and data dewatering in the receiver.
- Data framing, FEC generation, HEC generation, CRC generation, key generation, data encryption, and data whitening in the transmitter.

#### 1.1.1 Bluetooth 4.2 Features

Both the CYW20707 36-pin WLPGA package and the 49-pin FBGA package support all Bluetooth 4.2 and legacy features, with the following benefits:

- Dual-mode Bluetooth low energy (BT and BLE operation)
- Extended inquiry response (EIR): Shortens the time to retrieve the device name, specific profile, and operating mode.
- Encryption pause resume (EPR): Enables the use of Bluetooth technology in a much more secure environment.
- Sniff subrating (SSR): Optimizes power consumption for low duty cycle asymmetric data flow, which subsequently extends battery life.
- Secure simple pairing (SSP): Reduces the number of steps for connecting two devices, with minimal or no user interaction required.
- Link supervision time out (LSTO): Additional commands added to HCI and Link Management Protocol (LMP) for improved link timeout supervision.
- Quality of service (QoS) enhancements: Changes to data traffic control, which results in better link performance. Audio, human interface device (HID), bulk traffic, SCO, and enhanced SCO (eSCO) are improved with the erroneous data (ED) and packet boundary flag (PBF) enhancements.
- Secure connections (BR/EDR)
- Fast advertising interval
- Piconet clock adjust
- Connectionless broadcast
- LE privacy v1.1
- Low duty cycle directed advertising
- LE dual mode topology

### 1.1.2 Link Control Layer

The link control layer is part of the Bluetooth link control functions that are implemented in dedicated logic in the link control unit (LCU). This layer consists of the command controller that takes commands from the software, and other controllers that are activated or configured by the command controller, to perform the link control tasks. Each task is performed in a different state in the Bluetooth Link Controller.

■ States:

- Standby
- Connection
- Page
- Page Scan
- Inquiry
- Inquiry Scan
- Sniff
- Advertising
- Scanning

### 1.1.3 Test Mode Support

The CYW20707 fully supports Bluetooth Test mode as described in Part I:1 of the Specification of the Bluetooth System Version 3.0. This includes the transmitter tests, normal and delayed loopback tests, and reduced hopping sequence.

In addition to the standard Bluetooth Test Mode, the CYW20707 also supports enhanced testing features to simplify RF debugging and qualification and type-approval testing. These features include:

■ Fixed frequency carrier wave (unmodulated) transmission

- Simplifies some type-approval measurements (Japan)
- Aids in transmitter performance analysis

■ Fixed frequency constant receiver mode

- Receiver output directed to I/O pin
- Allows for direct BER measurements using standard RF test equipment
- Facilitates spurious emissions testing for receive mode

■ Fixed frequency constant transmission

- 8-bit fixed pattern or PRBS-9
- Enables modulated signal measurements with standard RF test equipment

### 1.1.4 Frequency Hopping Generator

The frequency hopping sequence generator selects the correct hopping channel number based on the link controller state, Bluetooth clock, and device address.

## 1.2 Microprocessor Unit

The CYW20707 microprocessor unit runs software from the link control (LC) layer up to the host controller interface (HCI). The microprocessor is based on the Cortex-M3 32-bit RISC processor with embedded ICE-RT debug and JTAG interface units. The microprocessor also includes 848 KB of ROM memory for program storage and boot ROM, 352 KB of RAM for data scratch-pad, and patch RAM code.

The internal boot ROM provides flexibility during power-on reset to enable the same device to be used in various configurations. At power-up, the lower layer protocol stack is executed from the internal ROM.

External patches can be applied to the ROM-based firmware to provide flexibility for bug fixes and features additions. These patches can be downloaded using external NVRAM. The device can also support the integration of user applications and profiles using an external serial flash memory.

### 1.2.1 NVRAM Configuration Data and Storage

NVRAM contains configuration information about the customer application, including the following:

- Fractional-N information
- BD\_ADDR
- UART baud rate
- SDP service record
- File system information used for code, code patches, or data. The CYW20707 can use SPI Flash or I<sup>2</sup>C EEPROM/serial flash for NVRAM storage.

### 1.2.2 One-Time Programmable Memory

The CYW20707 includes 2 Kbytes of one-time programmable (OTP) memory allow manufacturing customization and to avoid the need for an on-board NVRAM. If customization is not required, then the OTP does not need to be programmed. Whether the OTP is programmed or not, to save power it is disabled when the boot process is complete. The OTP is designed to store a minimal amount of information. Aside from OTP data, most user configuration information will be downloaded to RAM after the CYW20707 boots and is ready for host transport communication.

**Note:** The OTP is disabled internally for the 36-Pin WLPGA package.

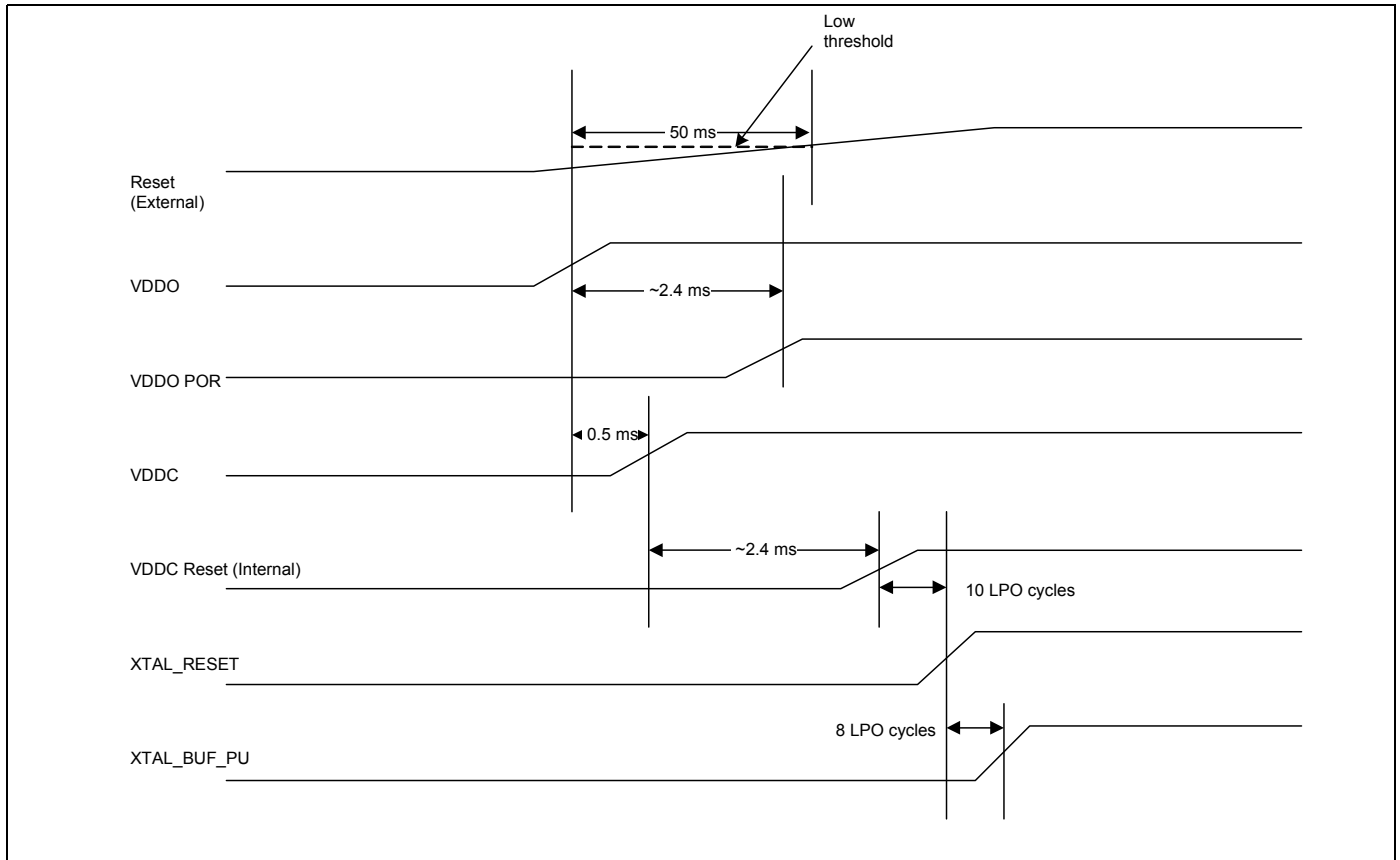
The OTP contents are limited to:

- Parameters required prior to downloading the user configuration to RAM.
- Parameters unique to each part and each customer (for example, the Bluetooth device address and/or the software license key).

### 1.2.3 External Reset

An external active-low reset signal, RESET\_N, can be used to put the CYW20707 in the reset state. An external voltage detector reset IC with 50 ms delay is needed on the RESET\_N. The RESET\_N should be released only after the VDDO supply voltage level has been stabilized for 50 ms.

Figure 2. Reset Timing



**Note:** The Reset signal should remain below this threshold 50 ms after VDDO is stable. Note that the representation of this signaling diagram is extended and not drawn to scale.

### 1.3 Integrated Radio Transceiver

The CYW20707 has an integrated radio transceiver that has been optimized for use in 2.4 GHz Bluetooth wireless systems. It has been designed to provide low-power, low-cost, robust communications for applications operating in the globally available 2.4 GHz unlicensed ISM band. The CYW20707 is fully compliant with the Bluetooth Radio Specification and enhanced data rate (EDR) specification and meets or exceeds the requirements to provide the highest communication link quality of service.

#### 1.3.1 Transmit

The CYW20707 features a fully integrated zero-IF transmitter. The baseband transmit data is GFSK-modulated in the modem block and upconverted to the 2.4 GHz ISM band in the transmitter path. The transmitter path consists of signal filtering, I/Q upconversion, output power amplifier, and RF filtering. The transmitter path also incorporates  $\pi/4$ -DQPSK for 2 Mbps and 8-DPSK for 3 Mbps to support EDR. The transmitter section is compatible with the BLE specification. The transmitter PA bias can also be adjusted to provide Bluetooth class 1 or class 2 operation.

#### Digital Modulator

The digital modulator performs the data modulation and filtering required for the GFSK,  $\pi/4$ -DQPSK, and 8-DPSK signal. The fully digital modulator minimizes any frequency drift or anomalies in the modulation characteristics of the transmitted signal and is much more stable than direct VCO modulation schemes.

#### Digital Demodulator and Bit Synchronizer

The digital demodulator and bit synchronizer take the low-IF received signal and perform an optimal frequency tracking and bit synchronization algorithm.

#### Power Amplifier

The fully integrated PA supports Class 1 or Class 2 output using a highly linearized, temperature-compensated design. This provides greater flexibility in front-end matching and filtering. Due to the linear nature of the PA combined with some integrated filtering, external filtering is required to meet the Bluetooth and regulatory harmonic and spurious requirements. For integrated mobile handset applications in which Bluetooth is integrated next to the cellular radio, external filtering can be applied to achieve near thermal noise levels for spurious and radiated noise emissions. The transmitter features a sophisticated on-chip transmit signal strength indicator (TSSI) block to keep the absolute output power variation within a tight range across process, voltage, and temperature.

#### 1.3.2 Receiver

The receiver path uses a low-IF scheme to downconvert the received signal for demodulation in the digital demodulator and bit synchronizer. The receiver path provides a high degree of linearity, an extended dynamic range, and high-order on-chip channel filtering to ensure reliable operation in the noisy 2.4 GHz ISM band. The front-end topology, with built-in out-of-band attenuation, enables the CYW20707 to be used in most applications with minimal off-chip filtering. For integrated handset operation, in which the Bluetooth function is integrated close to the cellular transmitter, external filtering is required to eliminate the desensitization of the receiver by the cellular transmit signal.

#### Digital Demodulator and Bit Synchronizer

The digital demodulator and bit synchronizer take the low-IF received signal and perform an optimal frequency tracking and bit synchronization algorithm.

#### Receiver Signal Strength Indicator

The radio portion of the CYW20707 provides a receiver signal strength indicator (RSSI) signal to the baseband, so that the controller can take part in a Bluetooth power-controlled link by providing a metric of its own receiver signal strength to determine whether the transmitter should increase or decrease its output power.

#### 1.3.3 Local Oscillator Generation

A local oscillator (LO) generation provides fast frequency hopping (1600 hops/second) across the 79 maximum available channels. The LO generation subblock employs an architecture for high immunity to LO pulling during PA operation. The CYW20707 uses an internal RF and IF loop filter.

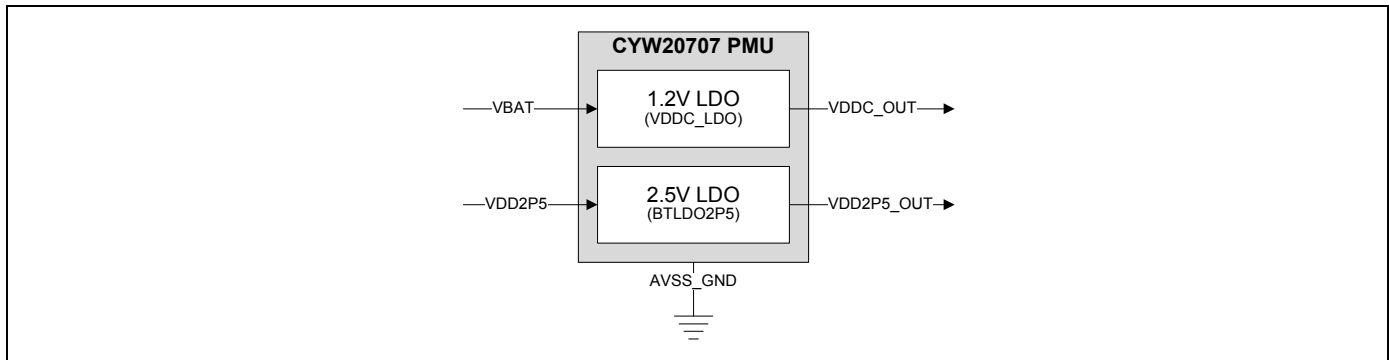
### 1.3.4 Calibration

The CYW20707 radio transceiver features an automated calibration scheme that is fully self-contained in the radio. No user interaction is required during normal operation or during manufacturing to provide optimal performance. Calibration tunes the performance of all the major blocks within the radio to within 2% of optimal conditions, including gain and phase characteristics of filters, matching between key components, and key gain blocks. This takes into account process variation and temperature variation. Calibration occurs transparently during normal operation during the settling time of the hops, and calibrates for temperature variations as the device cools and heats during normal operation in its environment.

### 1.3.5 Internal LDO

The CYW20707 uses two LDOs - one for 1.2V and the other for 2.5V. The 1.2V LDO provides power to the baseband and radio and the 2.5V LDO powers the PA.

**Figure 3. LDO Functional Block Diagram**



## 1.4 Collaborative Coexistence

The CYW20707 provides extensions and collaborative coexistence to the standard Bluetooth AFH for direct communication with WLAN devices. Collaborative coexistence enables WLAN and Bluetooth to operate simultaneously in a single device. The device supports industry-standard coexistence signaling, including 802.15.2, and supports Cypress and third-party WLAN solutions.

## 1.5 Global Coexistence Interface

The CYW20707 supports the proprietary Cypress Global Coexistence Interface (GCI) which is a 2-wire interface.

The following key features are associated with the interface:

- Enhanced coexistence data can be exchanged over GCI\_SECI\_IN and GCI\_SECI\_OUT a two-wire interface, one serial input (GCI\_SECI\_IN), and one serial output (GCI\_SECI\_OUT). The pad configuration registers must be programmed to choose the digital I/O pins that serve the GCI\_SECI\_IN and GCI\_SECI\_OUT function.
- It supports generic UART communication between WLAN and Bluetooth devices.
- To conserve power, it is disabled when inactive.
- It supports automatic resynchronization upon waking from sleep mode.
- It supports a baud rate of up to 4 Mbps.

### 1.5.1 SECI I/O

The CYW20707 devices have dedicated GCI\_SECI\_IN and GCI\_SECI\_OUT pins. The two pin functions can be mapped to any of the Cypress Global Coexistence Interface (GCI) GPIO. Pin function mapping is controlled by the configuration file that is stored in either NVRAM or downloaded directly into on-chip RAM from the host.

## 1.6 Peripheral Transport Unit

### 1.6.1 Broadcom Serial Communications Interface

The CYW20707 provides a 2-pin master BSC interface, which can be used to retrieve configuration information from an external EEPROM or to communicate with peripherals such as trackball or touch-pad modules, and motion tracking ICs used in mouse devices. The BSC interface is compatible with I<sup>2</sup>C slave devices. BSC does not support multimaster capability or flexible wait-state insertion by either master or slave devices.

The following transfer clock rates are supported by BSC:

- 100 kHz
- 400 kHz
- 800 kHz (Not a standard I<sup>2</sup>C-compatible speed.)
- 1 MHz (Compatibility with high-speed I<sup>2</sup>C-compatible devices is not guaranteed.)

The following transfer types are supported by BSC:

- Read (Up to 127 bytes can be read.)
- Write (Up to 127 bytes can be written.)
- Read-then-Write (Up to 127 bytes can be read and up to 127 bytes can be written.)
- Write-then-Read (Up to 127 bytes can be written and up to 127 bytes can be read.)

Hardware controls the transfers, requiring minimal firmware setup and supervision.

The clock pin (SCL) and data pin (SDA) are both open-drain I/O pins. Pull-up resistors external to the CYW20707 are required on both the SCL and SDA pins for proper operation.

### 1.6.2 UART Interface

The UART physical interface is a standard, 4-wire interface (RX, TX, RTS, and CTS) with adjustable baud rates from 38400 bps to 6 Mbps. During initial boot, UART speeds may be limited to 750 kbps. The baud rate may be selected via a vendor-specific UART HCI command. The CYW20707 has a 1040-byte receive FIFO and a 1040-byte transmit FIFO to support enhanced data rates. The interface supports the Bluetooth UART HCI (H4) specification. The default baud rate for H4 is 115.2 kbaud.

The UART clock default setting is 24 MHz, and can be configured to run as high as 48 MHz to support up to 6 Mbps. The baud rate of the CYW20707 UART is controlled by two values. The first is a UART clock divisor (set in the DLBR register) that divides the UART clock by an integer multiple of 16. The second is a baud rate adjustment (set in the DHBR register) that is used to specify a number of UART clock cycles to stuff in the first or second half of each bit time. Up to eight UART cycles can be inserted into the first half of each bit time, and up to eight UART clock cycles can be inserted into the end of each bit time.

[Table 2](#) contains example values to generate common baud rates with a 24 MHz UART clock.

**Table 2. Common Baud Rate Examples, 24 MHz Clock**

Baud Rate (bps)	Baud Rate Adjustment		Mode	Error (%)
	High Nibble	Low Nibble		
6M	0xFF	0xF8	High rate	0.00
4M	0xFF	0xF4	High rate	0.00
3M	0xFF	0xF8	High rate	0.00
2M	0xFF	0xF4	High rate	0.00
1M	0x44	0xFF	Normal	0.00
921600	0x05	0x05	Normal	0.16
460800	0x02	0x02	Normal	0.16
230400	0x04	0x04	Normal	0.16
115200	0x00	0x00	Normal	0.16
57600	0x00	0x00	Normal	0.16
38400	0x01	0x00	Normal	0.00

Table 3 contains example values to generate common baud rates with a 48 MHz UART clock.

**Table 3. Common Baud Rate Examples, 48 MHz Clock**

Baud Rate (bps)	High Rate	Low Rate	Mode	Error (%)
6M	0xFF	0xF8	High rate	0
4M	0xFF	0xF4	High rate	0
3M	0x0	0xFF	Normal	0
2M	0x44	0xFF	Normal	0
1.5M	0x0	0xFE	Normal	0
1M	0x0	0xFD	Normal	0
921600	0x22	0xFD	Normal	0.16
230400	0x0	0xF3	Normal	0.16
115200	0x1	0xE6	Normal	-0.08
57600	0x1	0xCC	Normal	0.04
38400	0x11	0xB2	Normal	0

Normally, the UART baud rate is set by a configuration record downloaded after reset. Support for changing the baud rate during normal HCI UART operation is included through a vendor-specific command that allows the host to adjust the contents of the baud rate registers.

The CYW20707 UART operates correctly with the host UART as long as the combined baud rate error of the two devices is within  $\pm 2\%$ .

**Peripheral UART Interface**

The CYW20707 has a second UART that may be used to interface to other peripherals. This peripheral UART is accessed through the optional I/O ports, which can be configured individually and separately for each functional pin as shown in [Table 4](#).

**Table 4. CYW20707 Peripheral UART**

Pin Name	pUART_TX	pUART_RX	pUART_CTS_N	pUART_RTS_N
Configured pin name	P0	P2	P3	P6
	P31	P33	–	P30

**Note:** Not all of the GPIOs above are available on the 36-pin WLBGA package.

**1.7 PCM Interface**

The CYW20707 includes a PCM interface that shares pins with the I<sup>2</sup>S interface. The PCM Interface on the CYW20707 can connect to linear PCM codec devices in master or slave mode. In master mode, the CYW20707 generates the PCM\_CLK and PCM\_SYNC signals. In slave mode, these signals are provided by another master on the PCM interface and are inputs to the CYW20707.

*1.7.1 Slot Mapping*

The CYW20707 supports up to three simultaneous full-duplex SCO or eSCO channels through the PCM interface. These three channels are time-multiplexed onto the single PCM interface by using a time-slotting scheme where the 8 kHz or 16 kHz audio sample interval is divided into as many as 16 slots. The number of slots is dependent on the selected interface rate (128 kHz, 512 kHz, or 1024 kHz). The corresponding number of slots for these interface rate is 1, 2, 4, 8, and 16, respectively. Transmit and receive PCM data from an SCO channel is always mapped to the same slot. The PCM data output driver tristates its output on unused slots to allow other devices to share the same PCM interface signals. The data output driver tristates its output after the falling edge of the PCM clock during the last bit of the slot.

*1.7.2 Frame Synchronization*

The CYW20707 supports both short- and long-frame synchronization in both master and slave modes. In short-frame synchronization mode, the frame synchronization signal is an active-high pulse at the audio frame rate that is a single-bit period in width and is synchronized to the rising edge of the bit clock. The PCM slave looks for a high on the falling edge of the bit clock and expects the first bit of the first slot to start at the next rising edge of the clock. In long-frame synchronization mode, the frame synchronization signal is again an active-high pulse at the audio frame rate; however, the duration is three-bit periods and the pulse starts coincident with the first bit of the first slot.

*1.7.3 Data Formatting*

The CYW20707 may be configured to generate and accept several different data formats. For conventional narrowband speech mode, the CYW20707 uses 13 of the 16 bits in each PCM frame. The location and order of these 13 bits can be configured to support various data formats on the PCM interface. The remaining three bits are ignored on the input and may be filled with 0s, 1s, a sign bit, or a programmed value on the output. The default format is 13-bit 2’s complement data, left justified, and clocked MSB first.

*1.7.4 Burst PCM Mode*

In this mode of operation, the PCM bus runs at a significantly higher rate of operation to allow the host to duty cycle its operation and save current. In this mode of operation, the PCM bus can operate at a rate of up to 24 MHz. This mode of operation is initiated with an HCI command from the host.

### 1.8 Clock Frequencies

The CYW20707 49-pin FBGA package supports 20, 24, and 40 MHz crystals (XTAL) by selecting the correct crystal strapping options. Other frequencies also supported by firmware configuration. [Table 5](#) lists the strapping options.

**Table 5. Crystal Strapping Options for the 49-Pin FBGA Package**

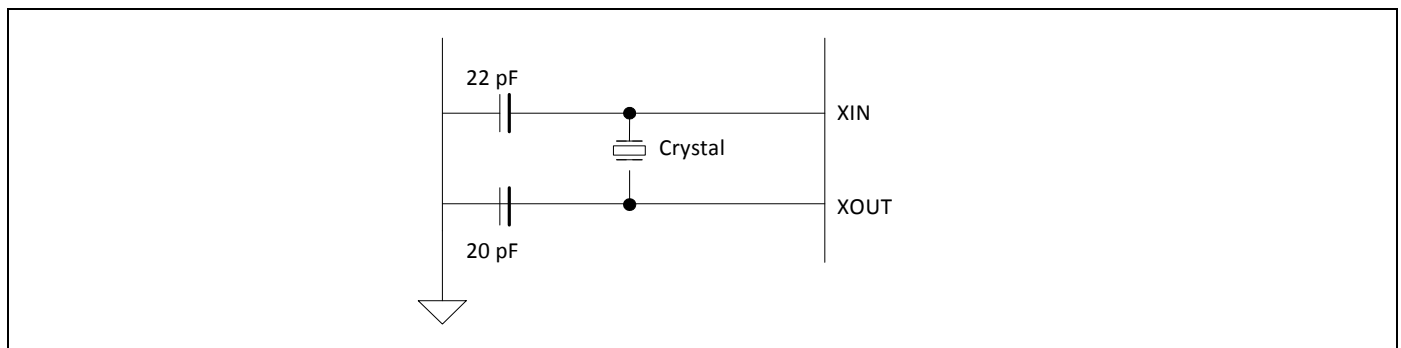
Strapping Option Pin		XTAL Frequency
BT_XTAL_STRAP_1	BT_XTAL_STRAP_0	
Pull Low	Pull Low	40 Mhz
Pull Low	Pull High	24 MHz
Pull High	Pull Low	20 MHz
Pull High	Pull High	Read from serial flash or EEPROM

**Note:** Only the Read from Serial flash or EEPROM option is available for the 36-pin WLBGA package. The strapping is set internally in the package.

#### 1.8.1 Crystal Oscillator

The XTAL must have an accuracy of  $\pm 20$  ppm as defined by the Bluetooth specification. Two external load capacitors in the range of 5 pF to 30 pF are required to work with the crystal oscillator. The selection of the load capacitors is XTAL-dependent (see [Figure 4](#)).

**Figure 4. Recommended Oscillator Configuration—12 pF Load Crystal**



[Table 6](#) shows the recommended crystal specifications.

**Table 6. Reference Crystal Electrical Specifications**

Parameter	Conditions	Minimum	Typical	Maximum	Unit
Nominal frequency	–	20	24	40	MHz
Oscillation mode	–	Fundamental			–
Frequency tolerance	@25°C	–	$\pm 10$	–	ppm
Tolerance stability over temp	@0°C to +70°C	–	$\pm 10$	–	ppm
Equivalent series resistance	–	–	–	60	W
Load capacitance	–	–	12	–	pF
Operating temperature range	–	0	–	+70	°C
Storage temperature range	–	–40	–	+125	°C
Drive level	–	–	–	200	$\mu$ W
Aging	–	–	–	$\pm 10$	ppm/year
Shunt capacitance	–	–	–	2	pF

## HID Peripheral Block

The peripheral blocks of the CYW20707 all run from a single 128 kHz low-power RC oscillator. The oscillator can be turned on at the request of any of the peripherals. If the peripheral is not enabled, it shall not assert its clock request line.

The keyboard scanner is a special case, in that it may drop its clock request line even when enabled, and then reassert the clock request line if a keypress is detected.

## 1.9 GPIO Ports

### 1.9.1 49-Pin FBGA Package

The CYW20707 49-pin FBGA package has 24 general-purpose I/Os (GPIOs). All GPIOs support programmable pull-ups and are capable of driving up to 8 mA at 3.3V or 4 mA at 1.8V, except P26, P27, P28, and P29, which are capable of driving up to 16 mA at 3.3V or 8 mA at 1.8V. The following GPIOs are available:

- BT\_GPIO\_0/P36/P38 (triple bonded; only one of three is available)
- BT\_GPIO\_1/P25/P32 (triple bonded; only one of three is available)
- BT\_GPIO\_3/P27/P33 (triple bonded; only one of three is available)
- BT\_CLK\_REQ/P4/P24 (triple bonded; only one of three is available)
- BT\_GPIO\_5/P15 (dual bonded; only one of two is available)
- BT\_GPIO\_6/P11/P26 (triple bonded; only one of three is available)
- BT\_GPIO\_7/P30 (Dual bonded; only one of two is available)
- BT\_CLK\_REQ/P4/P24 (triple bonded; only one of three is available)
- I<sup>2</sup>S\_PCM\_IN/P12 (dual bonded; only one of two is available)
- I<sup>2</sup>S\_PCM\_OUT/P3/P29/P35 (quadruple bonded; only one of four is available)
- I<sup>2</sup>S\_PCM\_CLK/P2/P28/P37 (quadruple bonded; only one of four is available)
- I<sup>2</sup>S\_WS\_PCM\_SYNC/P0/P34 (triple bonded; only one of three is available)

All of these pins can be programmed as ADC inputs.

## Port 26–Port 29

P[26:29] consist of four pins. All pins are capable of sinking up to 16 mA for LEDs. These pins also have PWM functionality, which can be used for LED dimming.

### 1.9.2 36-Pin WLPGA Package

The CYW20707 36-pin WLPGA package has seven GPIOs. All GPIOs support programmable pull-ups and are capable of driving up to 8 mA at 3.3V or 4 mA at 1.8V. The following GPIOs are available:

- BT\_GPIO\_3/P0/LPO\_IN (triple bonded; only one of three is available)
- BT\_GPIO\_5/P8/P33 (triple bonded; only one of three is available)
- I<sup>2</sup>S\_DI\_PCM\_IN/P3 (double bonded; only one of two is available)
- I<sup>2</sup>S\_DO\_PCM\_OUT/BT\_GPIO\_6/P9 (triple bonded; only one of three is available)
- I<sup>2</sup>S\_CLK\_PCM\_CLK/BT\_GPIO\_4/P1 (triple bonded; only one of three is available)
- I<sup>2</sup>S\_WS\_PCM\_SYNC/P11 (double bonded; only one of two is available)

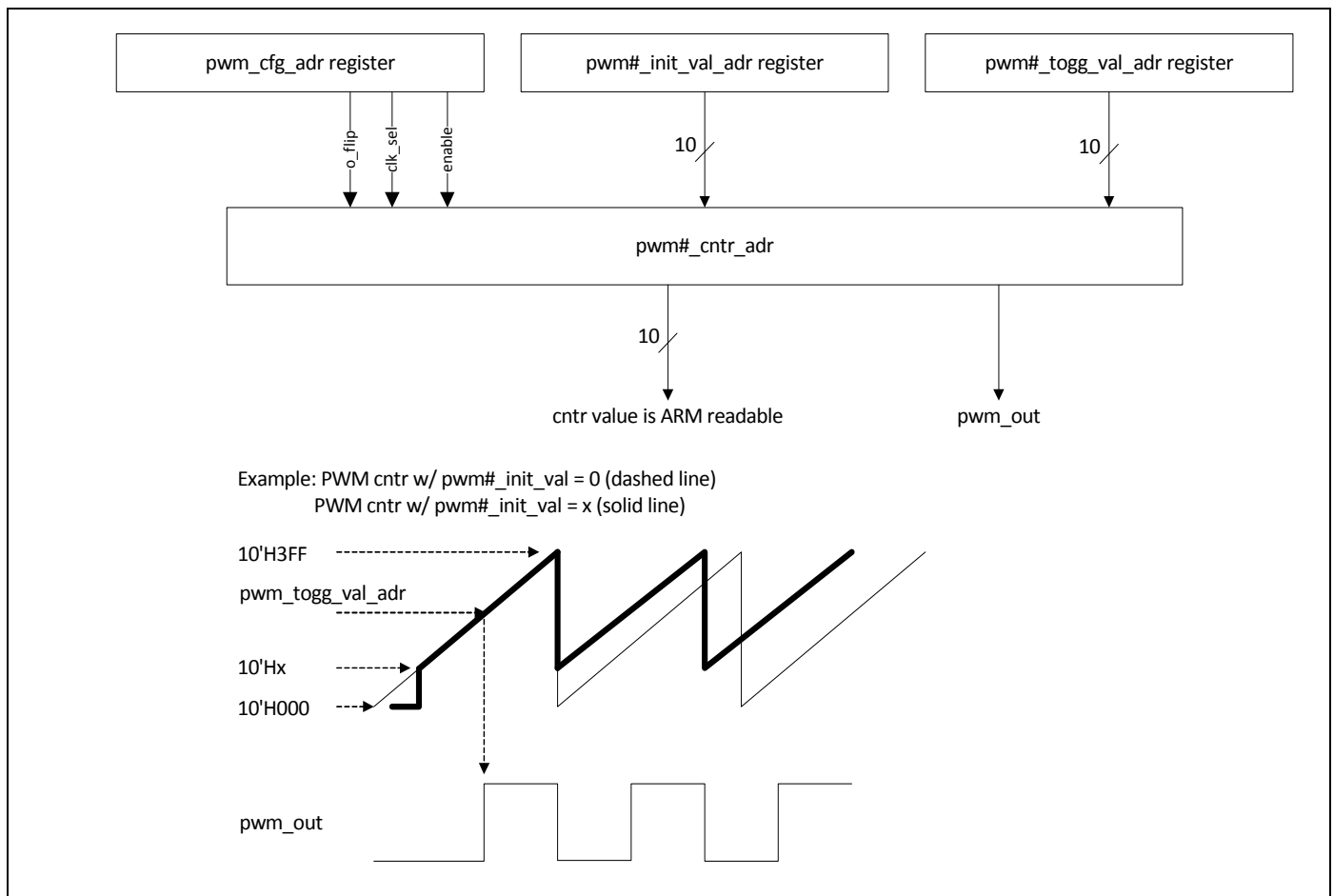
### 1.10 PWM

The CYW20707 has four internal PWMs. The PWM module consists of the following:

- PWM1–4
- Each of the four PWM channels, PWM1–4, contains the following registers:
  - 10-bit initial value register (read/write)
  - 10-bit toggle register (read/write)
  - 10-bit PWM counter value register (read)
- PWM configuration register shared among PWM1–4 (read/write). This 12-bit register is used:
  - To configure each PWM channel
  - To select the clock of each PWM channel
  - To change the phase of each PWM channel

Figure 5 shows the structure of one PWM.

Figure 5. PWM Block Diagram



**1.11 Triac Control**

The CYW20707 includes hardware support for zero-crossing detection and trigger control for up to four triacs. The CYW20707 detects zero-crossing on the AC zero detection line and uses that to provide a pulse that is offset from the zero crossing. This allows the CYW20707 to be used in dimmer applications, as well as any other applications that require a control signal that is offset from an input event.

The zero-crossing hardware includes an option to suppress glitches.

**1.12 Serial Peripheral Interface**

The CYW20707 has two independent SPI interfaces. One is a master-only interface (SPI\_2) and the other (SPI\_1) can be either a master or a slave. Each interface has a 64-byte transmit buffer and a 64-byte receive buffer. To support more flexibility for user applications, the CYW20707 has optional I/O ports that can be configured individually and separately for each functional pin. The CYW20707 acts as an SPI master device that supports 1.8V or 3.3V SPI slaves. The CYW20707 can also act as an SPI slave device that supports a 1.8V or 3.3V SPI master.

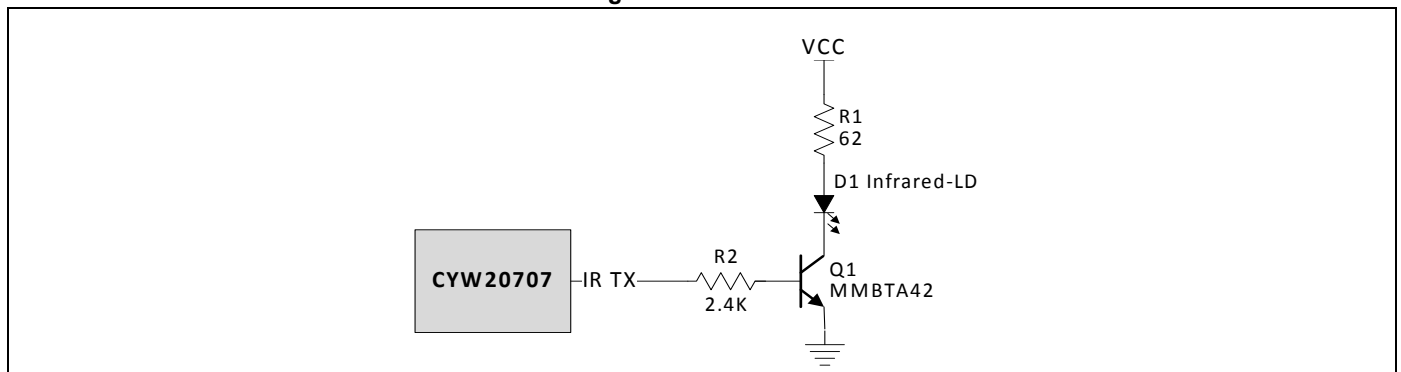
**Note:** SPI voltage depends on VDDO; therefore, it defines the type of devices that can be supported.

**1.13 Infrared Modulator**

The CYW20707 includes hardware support for infrared TX. The hardware can transmit both modulated and unmodulated waveforms. For modulated waveforms, hardware inserts the desired carrier frequency into all IR transmissions. IR TX can be sourced from firmware-supplied descriptors, a programmable bit, or the peripheral UART transmitter.

If descriptors are used, they include IR on/off state and the duration between 1–32767  $\mu$ sec. The CYW20707 IR TX firmware driver inserts this information in a hardware FIFO and makes sure that all descriptors are played out without a glitch due to underrun (see [Figure 6](#)).

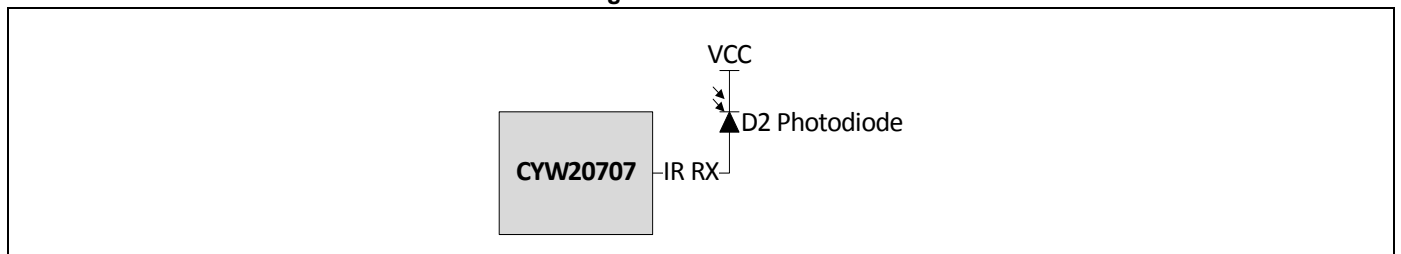
**Figure 6. Infrared TX**



**1.14 Infrared Learning**

The CYW20707 includes hardware support for infrared learning. The hardware can detect both modulated and unmodulated signals. For modulated signals, the CYW20707 can detect carrier frequencies between 10 kHz and 500 kHz, and the duration that the signal is present or absent. The CYW20707 firmware driver supports further analysis and compression of the learned signal. The learned signal can then be played back through the CYW20707 IR TX subsystem (see [Figure 7](#)).

**Figure 7. Infrared RX**



## 1.15 Power Management Unit

The Power Management Unit (PMU) provides power management features that can be invoked by software through power management registers or packet-handling in the baseband core.

### 1.15.1 RF Power Management

The BBC generates power-down control signals for the transmit path, receive path, PLL, and power amplifier to the 2.4 GHz transceiver, which then processes the power-down functions accordingly.

### 1.15.2 Host Controller Power Management

Power is automatically managed by the firmware based on input device activity. As a power-saving task, the firmware controls the disabling of the on-chip regulator when in HIDEOFF (deep sleep) mode.

### 1.15.3 BBC Power Management

There are several low-power operations for the BBC:

- Physical layer packet handling turns RF on and off dynamically within packet TX and RX.
- Bluetooth-specified low-power connection mode. While in these low-power connection modes, the CYW20707 runs on the Low Power Oscillator and wakes up after a predefined time period.

The CYW20707 automatically adjusts its power dissipation based on user activity. The following power modes are supported:

- Active mode
- Idle mode
- Sleep mode
- HIDEOFF (deep sleep) mode

The CYW20707 transitions to the next lower state after a programmable period of user inactivity. When user activity resumes, the CYW20707 immediately enters Active mode.

In HIDEOFF mode, the CYW20707 baseband and core are powered off by disabling power to VDDC\_OUT and PAVDD. The VDDO domain remains powered up and will turn the remainder of the chip on when it detects user events. This mode minimizes chip power consumption and is intended for long periods of inactivity.

## 2. Pin Assignments

### 2.1 Pin Descriptions

#### 2.1.1 49-Pin FBGA List

**Table 7. CYW20707 49-Pin FBGA List**

Pin	Signal	I/O	Power Domain	Description
<b>Radio</b>				
A2	RFOP	I/O	VDD_RF	RF I/O antenna port
A4	XO_IN	I	VDD_RF	Crystal or reference input
A5	XO_OUT	O	VDD_RF	Crystal oscillator output
<b>Voltage Regulators</b>				
D1	VBAT	I	N/A	VBAT input pin. This must be less than or equal to VDDO.
E1	VDD2P5_IN	I	N/A	2.5V LDO input
E2	VDD2P5_OUT	O	N/A	2.5V LDO output
F1	VDDC_OUT	O	N/A	1.2V LDO output
<b>Straps</b>				
G3	BT_XTAL_STRAP_0	I	VDDO	A strap for choosing the XTAL frequencies.
F2	BT_XTAL_STRAP_1	I	VDDO	A strap for choosing the XTAL frequencies.
A6	RST_N	I	VDDO	Active-low reset input
G7	BT_TM1	I	VDDO	Reserved: connect to ground.
<b>Digital I/O</b>				
F8	BT_GPIO_0	I	VDDO	BT_GPIO_0/BT_DEV_WAKE A signal from the host to the CYW20707 that the host requires attention.
	P36	I/O	VDDO	GPIO: P36 A/D converter input 3 Quadrature: QDZ0 SPI_1: SPI_CLK (master and slave) Auxiliary Clock Output: ACLK0 External T/R switch control: ~tx_pd
	P38	I/O	VDDO	GPIO: P38 A/D converter input 1 SPI_1: MOSI (master and slave) IR_TX
F7	BT_GPIO_1	O	VDDO	BT_GPIO_1/BT_HOST_WAKE A signal from the CYW20707 device to the host indicating that the Bluetooth device requires attention.
	P25	I/O	VDDO	GPIO: P25 SPI_1: MISO (master and slave) Peripheral UART: puart_rx
	P32	I/O	VDDO	GPIO: P32 A/D converter input 7 Quadrature: QDX0 SPI_1: SPI_CS (slave only) Auxiliary clock output: ACLK0 Peripheral UART: puart_tx
E4	BT_GPIO_2	I	VDDO	When high, this signal extends the XTAL warm-up time for external CLK requests. Otherwise, it is typically connected to ground.

**Table 7. CYW20707 49-Pin FBGA List (Cont.)**

Pin	Signal	I/O	Power Domain	Description
C5	BT_GPIO_3	I/O	VDDO	General-purpose I/O
	P27 PWM1	I/O	VDDO	GPIO: P27 SPI_1: MOSI (master and slave) Optical control output: QOC1 Triac control 2 Current: 16 mA sink
	P33	I/O	VDDO	GPIO: P33 A/D converter input 6 Quadrature: QDX1 SPI_1: MOSI (slave only) Auxiliary clock output: ACLK1 Peripheral UART: puart_rx
D6	BT_GPIO_4	I/O	VDDO	General-purpose I/O: can also be configured as a GCI pin.
	P6	I/O	VDDO	GPIO: P6 Quadrature: QDZ0 Peripheral UART: puart_rts SPI_1: SPI_CS (slave only) 60Hz_main
	LPO_IN	I	N/A	External LPO input
	P31	I/O	VDDO	GPIO: P31 A/D converter input 8 Peripheral UART: puart_tx
B5	BT_GPIO_5	I/O	VDDO	General-purpose I/O: can also be configured as a GCI pin. Debug UART
	P15	I/O	VDDO	GPIO: P15 A/D converter input 20 IR_RX 60Hz_main
B6	BT_GPIO_6	I/O	VDDO	General-purpose I/O: can also be configured as a GCI pin.
	P11	I/O	VDDO	GPIO: P11 Keyboard scan output (column): KSO3 A/D converter input 24
	P26 PWM0	I/O	VDDO	GPIO: P26 SPI_1: SPI_CS (slave only) Optical control output: QOC0 Triac control 1 Current: 16 mA sink
C6	BT_GPIO_7	I/O	VDDO	General-purpose I/O: can also be configured as a GCI pin.
	P30	I/O	VDDO	GPIO: P30 A/D converter input 9 Peripheral UART: puart_rts
F5	BT_UART_RXD	I	VDDO	UART receive data
F4	BT_UART_TXD	O	VDDO	UART transmit data
F3	BT_UART_RTS_N	O	VDDO	UART request to send output
G4	BT_UART_CTS_N	I	VDDO	UART clear to send input

**Table 7. CYW20707 49-Pin FBGA List (Cont.)**

Pin	Signal	I/O	Power Domain	Description
G8	BT_CLK_REQ	O	VDDO	Used for shared-clock application.
	P4	I/O	VDDO	GPIO: P4 Quadrature: QDY0 Peripheral UART: puart_rx SPI_1: MOSI (master and slave) IR_TX
	P24	I/O	VDDO	GPIO: P24 SPI_1: SPI_CLK (master and slave) Peripheral UART: puart_tx
D8	SPI2_MISO_I2C_SCL	I/O	VDDO	BSC CLOCK
E8	SPI2_MOSI_I2C_SDA	I/O	VDDO	BSC DATA
E7	SPI2_CLK	O	VDDO	Serial flash SPI clock
D7	SPI2_CSN	O	VDDO	Serial flash active-low chip select
C7	I2S_DI/PCM_IN	I/O	VDDO	PCM/I2S data input. I2C_SDA
	P12	I/O	VDDO	GPIO: P12 A/D converter input 23
A8	I2S_DO/PCM_OUT	I/O	VDDO	PCM/I2S data output. I2C_SCL
	P3	I/O	VDDO	GPIO: P3 Quadrature: QDX1 Peripheral UART: puart_cts SPI_1: SPI_CLK (master and slave)
	P29 PWM3	I/O	VDDO	GPIO: P29 Optical control output: QOC3 A/D converter input 10, LED2 Current: 16 mA sink
	P35	I/O	VDDO	GPIO: P35 A/D converter input 4 Quadrature: QDY1 Peripheral UART: puart_cts BSC: SDA
B7	I2S_CLK/PCM_CLK	I/O	VDDO	PCM/I2S clock Fp1
	P2	I/O	VDDO	GPIO: P2 Quadrature: QDX0 Peripheral UART: puart_rx SPI_1: SPI_CS (slave only) SPI_1: MOSI (master only)
	P28 PWM2	I/O	VDDO	GPIO: P28 Optical control output: QOC2 A/D converter input 11, LED1 Current: 16 mA sink
	P37	I/O	VDDO	GPIO: P37 A/D converter input 2 Quadrature: QDZ1 SPI_1: MISO (slave only) Auxiliary clock output: ACLK1 BSC: SCL

**Table 7. CYW20707 49-Pin FBGA List (Cont.)**

Pin	Signal	I/O	Power Domain	Description
C8	I <sup>2</sup> S_WS/ PCM_SYNC	I/O	VDDO	PCM sync/I2S word select
	P0	I/O	VDDO	GPIO: P0 A/D converter input 29 Peripheral UART: puart_tx SPI_1: MOSI (master and slave) IR_RX, 60Hz_main <b>Note:</b> Not available during TM1 = 1.
	P34	I/O	VDDO	GPIO: P34 A/D converter input 5 Quadrature: QDY0 Peripheral UART: puart_rx External T/R switch control: tx_pd
G2	BT_OTP_3P3V_ON	I	VDDO	<ul style="list-style-type: none"> <li>If OTP is used, pull this pin high.</li> <li>If OTP is not used, pull this pin low.</li> </ul>
<b>JTAG</b>				
D5	JTAG_SEL	I/O	VDDO	ARM JTAG debug mode control. Connect to GND for all applications.
<b>Supplies</b>				
G1	BT_OTP_VDD3P3V	I	N/A	3.3V OTP supply voltage
B4	BT_IFVDD1P2	I	N/A	Radio IF PLL supply
A1	BT_PAVDD2P5	I	N/A	Radio PA supply
B1	BT_LNAVDD1P2	I	N/A	Radio LNA supply
C1	BT_VCOVDD1P2	I	N/A	Radio VCO supply
A3	BT_PLLVDD1P2	I	N/A	Radio RF PLL supply
B8, G6	VDDC	I	N/A	Core logic supply
G5	VDDO	I	N/A	Digital I/O supply voltage
A7, B2, B3, C2, D2, F6	VSS	–	N/A	Ground

2.1.2 36-Pin WLBGA List

**Table 8. CYW20707 36-Pin WLBGA List**

Ball	Signal	I/O	Power Domain	Description
Radio				
A1	RFOP	I/O	VDD_RF	RF I/O antenna port
A5	XO_IN	I	VDD_RF	Crystal or reference input
A4	XO_OUT	O	VDD_RF	Crystal oscillator output
Voltage Regulators				
D2	VBAT	I	N/A	VBAT input pin. This must be less than or equal to VDDO.
D1	VDD2P5_IN	I	N/A	2.5V LDO input
C1	VDDC_OUT	O	N/A	1.2V LDO output
Straps				
C6	RST_N	I	VDDO	Active-low reset input
Digital I/O				
D6	BT_GPIO_0	I	VDDO	BT_GPIO_0/BT_DEV_WAKE. A signal from the host to the CYW20707 indicating that the host requires attention.
E6	BT_GPIO_1	O	VDDO	BT_GPIO_1/BT_HOST_WAKE. A signal from the CYW20707 device to the host indicating that the Bluetooth device requires attention.
C4	BT_GPIO_2	I	VDDO	When high, this signal extends the XTAL warm-up time for external CLK requests. Otherwise, it is typically connected to ground.
F2	BT_GPIO_3	I/O	VDDO	General-purpose I/O
	P0	I	VDDO	<ul style="list-style-type: none"> <li>GPIO: P0</li> <li>A/D converter input 29</li> <li>Peripheral UART: puart_tx</li> <li>SPI_1: MOSI (master and slave)</li> <li>IR_RX</li> <li>60 Hz_main</li> </ul> <b>Note:</b> Not available during TM1 = 1.
	LPO_IN	I	N/A	External LPO input
C5	BT_GPIO_5	I/O	VDDO	General-purpose I/O: can also be configured as a GCI pin
	P8	I	VDDO	<ul style="list-style-type: none"> <li>GPIO: P8</li> <li>A/D converter input 27</li> <li>External T/R Switch Control: ~tx_pd</li> </ul>
	P33	I	VDDO	<ul style="list-style-type: none"> <li>GPIO: P33</li> <li>A/D converter input 6</li> <li>Quadrature: QDX1</li> <li>SPI_1: MOSI (slave only)</li> <li>Auxiliary clock output: ACLK1</li> <li>Peripheral UART: puart_rx</li> </ul>
F5	BT_UART_RXD	I	VDDO	UART receive data
E5	BT_UART_TXD	O	VDDO	UART transmit data
F4	BT_UART_RTS_N	O	VDDO	UART request to send output
F3	BT_UART_CTS_N	I	VDDO	UART clear to send input
F6	BT_CLK_REQ	O	VDDO	Used for shared-clock application.
F1	SPI2_MISO_I <sup>2</sup> C_SCL	I/O	VDDO	BSC CLOCK
E3	SPI2_MOSI_I <sup>2</sup> C_SDA	I/O	VDDO	BSC DATA

**Table 8. CYW20707 36-Pin WLBGA List (Cont.)**

Ball	Signal	I/O	Power Domain	Description
E1	SPI2_CLK	I/O	VDDO	Serial flash SPI clock
E2	SPI2_CSN	I/O	VDDO	Serial flash active-low chip select
B6	I <sup>2</sup> S_DI/PCM_IN	I/O	VDDO	<ul style="list-style-type: none"> <li>• PCM/I2S data input.</li> <li>• I<sup>2</sup>C_SDA</li> </ul>
	P3	I	VDDO	<ul style="list-style-type: none"> <li>• GPIO: P3</li> <li>• Quadrature: QDX1</li> <li>• Peripheral UART: puart_cts</li> <li>• SPI_1: SPI_CLK (master and slave)</li> </ul>
A3	I <sup>2</sup> S_DO/PCM_OUT	I/O	VDDO	PCM/I2S data output. I <sup>2</sup> C_SCL
	BT_GPIO_6	I/O	VDDO	General-purpose I/O: can also be configured as a GCI pin
	P9	I	VDDO	GPIO:P9 A/D converter input 26 External T/R switch control: tx_pd
B4	I <sup>2</sup> S_CLK/PCM_CLK	I/O	VDDO	PCM/I <sup>2</sup> S clock
	BT_GPIO_4	I/O	VDDO	General-purpose I/O: can also be configured as a GCI pin
	P1	I	VDDO	GPIO:P1 A/D converter input 28 Peripheral UART: puart_rts SPI_1: MISO (master and slave) IR_TX
A6	I <sup>2</sup> S_WS/PCM_SYNC	I/O	VDDO	PCM sync/I <sup>2</sup> S word select
	P11	I	VDDO	GPIO: P11 A/D converter input 24
JTAG				
B5	JTAG_SEL	I/O	VDDO	ARM JTAG debug mode control. Connect to GND for all applications.
Supplies				
C2	BT_IFVDD1P2	I	N/A	Radio IF PLL supply
B1	BT_PAVDD2P5	I	N/A	Radio PA supply
B3	BT_PLLVDD1P2	I	N/A	Radio RF PLL supply
D5	VDDC	I	N/A	Core logic supply
E4	VDDO	I	N/A	Digital I/O supply voltage
A2, B2, C3, D3, D4	VSS	–	N/A	Ground

## 2.2 Ball Map

### 2.2.1 49-Pin FBGA Ball Map

**Figure 8. CYW20707 49-Pin FBGA Ball Map**

	1	2	3	4	5	6	7
A	BT_PAVDD2P5	RFOP	BT_PLLVDD1P2	XO_IN	XO_OUT	RST_N	VSS
B	BT_LNAVDD1P2	VSS	VSS	BT_IFVDD1P2	BT_GPIO_5/P15	BT_GPIO_6/ P11/P26	i <sup>2</sup> S_CLK/ PCM_CLK/ P2/P28/P37
C	BT_VCOVDD1P2	VSS	NC	NC	BT_GPIO_3/P27/ P33	BT_GPIO_7/ P30	I2S_DI/PCM_IN P12
D	VBAT	VSS	NC	NC	JTAG_SEL	BT_GPIO_4/ P6/LPO_IN/ P31	SPI2_CSN
E	VDD2P5_IN	VDD2P5_OUT	NC	BT_GPIO_2	NC	NC	SPI2_CLK
F	VDDC_OUT	BT_XTAL_STRAP_1	BT_UART_RTS_N	BT_UART_TXD	BT_UART_RXD	VSS	BT_GPIO_1/P25 P32
G	BT_OTP_VDD3P3V	BT_OTP_3P3V_ON	BT_XTAL_STRAP_0	BT_UART_CTS_N	VDDO	VDDC	BT_TM1
	1	2	3	4	5	6	7

2.2.2 36-Pin WLPGA Ball Map

**Figure 9. CYW20707 36-Pin WLPGA Ball Map**

	1	2	3	4	5	6
F	SPI2_MISO_I2C_SCL	BT_GPIO_3 P0 LPO_IN	BT_UART_CTS_N	BT_UART_RTS_N	BT_UART_RXD	BT_CLK_REQ
E	SPI2_CLK	SPI2_CSN	SPI2_MOSI_I2C_SDA	VDDO	BT_UART_TXD	BT_GPIO_1 BT_HOST_WAKE
D	VDD2P5_IN	VBAT	VSS	VSS	VDDC	BT_GPIO_0 BT_DEV_WAKE
C	VDDC_OUT	BT_IFVDD1P2	VSS	BT_GPIO_2	BT_GPIO_5 P8 P33	RST_N
B	BT_PAVDD2P5	VSS	BT_PLLVDD1P2	I2S_CLK/PCM_CLK BT_GPIO_4 P1	JTAG_SEL	I2S_DI_PCM_IN P3
A	RFOP	VSS	I2S_DO/PCM_OUT BT_GPIO_6 P9	XO_OUT	XO_IN	I2S_WS/PCM_SYNC P11

### 3. Specifications

#### 3.1 Electrical Characteristics

Table 9 shows the maximum electrical rating for voltages referenced to VDD pin.

**Table 9. Absolute Maximum Ratings**

Parameter	Specification			Units
	Minimum	Nominal	Maximum	
Ambient temperature of operation	-30	25	85	°C
Storage temperature	-40	-	150	°C
ESD tolerance HBM	-2000	-	2000	V
ESD tolerance MM	-100	-	100	V
ESD tolerance CDM	-500	-	500	V
Latch-up	-200	-	200	mA
VDDC	-0.5	-	1.38	V
VDDO	-0.5	-	3.795	V
VDD_RF (excluding PA)	-0.5	-	1.38	V
VDDPA	-0.5	-	3.565	V
VBAT	-0.5	-	3.795	V
BT_OTP_VDD3P3V	-0.5	-	3.795	V
VDD2P5_IN	-0.5	-	3.795	V

Table 10 shows the power supply characteristics for the range  $T_J = 0^{\circ}\text{C}$  to  $125^{\circ}\text{C}$ .

**Table 10. Power Supply Specifications**

Parameter	Conditions	Min.	Typ.	Max.	Units
VDD Core	-	1.14	1.2	1.26	V
VDDO <sup>1</sup>	-	1.62	3.3	3.6	V
VDDRF	Excluding class 1 PA	1.14	1.2	1.26	V
VDDPA	Class 1 operation	2.25	2.5 to 2.8	2.94	V
VBAT <sup>1</sup>	-	1.62	3.3	3.6	V
BT_OTP_VDD3P3V	-	3.0	3.3	3.6	V
VDD2P5_IN	-	3.0	3.3	3.6	V

1. VDDO must be  $\geq$  VBAT.

**Table 11. VDDC LDO Electrical Specifications**

Parameter	Conditions	Min.	Typical	Max.	Unit	
Input Voltage	–	1.62	3.3	3.6	V	
Nominal Output Voltage	–	–	1.2	–	V	
DC Accuracy	Accuracy at any step, including bandgap reference.	–5	–	5	%	
Output Voltage Programmability	Range	0.89	–	1.34	V	
	Step Size	–	30	–	mV	
Load Current	–	–	–	40	mA	
Dropout Voltage	$I_{load} = 40\text{ mA}$	–	–	200	mV	
Line Regulation	$V_{in}$ from 1.62V to 3.6V, $I_{load} = 40\text{ mA}$	–	–	0.2	%Vo/V	
Load Regulation	$I_{load} = 1\text{ mA to }40\text{ mA}$ , $V_{out} = 1.2\text{V}$ , Package + PCB $R = 0.3\Omega$	–	0.02	0.05	%Vo/mA	
Quiescent Current	No load @ $V_{in} = 3.3\text{V}$	–	18	23	$\mu\text{A}$	
Power down Current	$V_{in} = 3.3\text{V @}25\text{C}$	–	0.2	–	$\mu\text{A}$	
	$V_{in} = 3.6\text{ @}80\text{C}$	–	TBD	–	–	
Output Noise	$I_{load} = 15\text{ mA}$ , 100 kHz	–	–	40	nV/sqrtHz	
	$I_{load} = 15\text{ mA}$ , 2 MHz	–	–	14	nV/sqrtHz	
PSRR	$V_{in} = 3.3$ , $V_{out} = 1.2\text{V}$ , $I_{load} = 40\text{ mA}$	1 kHz	65	–	–	dB
		10 kHz	60	–	–	dB
		100 kHz	55	–	–	dB
Over Current Limit	–	100	–	–	mA	
Turn-on Time	$V_{BAT} = 3.3\text{V}$ , BG already on, LDO OFF to ON, $C_o = 1\text{ }\mu\text{F}$ , 90% of $V_{out}$	–	–	100	$\mu\text{s}$	
In-rush current during turn-on	During start-up, $C_o = 1\text{ }\mu\text{F}$	–	–	60	mA	
Transient Performance	$I_{load} = 1\text{ mA to }15\text{ mA}$ and $15\text{ mA to }1\text{ mA}$ in $1\text{ }\mu\text{s}$	–	–	40	mV	
	$I_{load} = 15\text{ mA to }40\text{ mA}$ and $40\text{ mA to }15\text{ mA}$ in $1\text{ }\mu\text{s}$	–	–	25	–	
External Output Capacitor	Ceramic cap with $\text{ESR} \leq 0.5\Omega$	0.8	1	4.7	$\mu\text{F}$	
External Input Capacitor	Ceramic, X5R, 0402, $\pm 20\%$ , 10V.	–	1	–	$\mu\text{F}$	

**Table 12. BTLDO\_2P5 Electrical Specifications**

Parameters	Conditions	Min	Typ	Max	Units
Input supply voltage, $V_{in}$	Min = $V_o + 0.2V = 2.7V$ (for $V_o = 2.5V$ ) Dropout voltage requirement must be met under maximum load for performance specs.	3.0	3.3	3.6	V
Nominal output voltage, $V_o$	Default = 2.5V	–	2.5	–	V
Output voltage programmability	Range Accuracy at any step (including line/load regulation), load >0.1 mA	2.2 –5	–	2.8 5	V %
Dropout voltage	At max load	–	–	200	mV
Output current	–	0.1	–	70	mA
Quiescent current	No load; $V_{in} = V_o + 0.2V$ , $V_{in} = V_o + 0.2V$	–	8 660	16 700	$\mu A$
Leakage current	Power-down mode. At junction temperature 85°C.	–	1.5	5	$\mu A$
Line regulation	$V_{in}$ from ( $V_o + 0.2V$ ) to 3.6V, max load	–	–	3.5	mV/V
Load regulation	Load from 1 mA to 70 mA, $V_{in} = 3.6V$	–	–	0.3	mV/mA
PSRR	$V_{in} \geq V_o + 0.2V$ , $V_o = 2.5V$ , $C_o = 2.2 \mu F$ , max load, 100 Hz to 100 kHz	20	–	–	dB
LDO turn-on time	LDO turn-on time when rest of chip is up	–	–	150	$\mu s$
External output capacitor, $C_o$	Ceramic, X5R, 0402, (ESR: 5m-240 m $\Omega$ ), $\pm 20\%$ , 6.3V	0.7	2.2	2.64	$\mu F$
External input capacitor	Ceramic, X5R, 0402, $\pm 20\%$ , 10V	–	1	–	$\mu F$

3.1.1 Digital I/O Characteristics

**Table 13. Digital I/O Characteristics**

Characteristics	Value	Symbol	Minimum	Typical	Maximum	Unit
<b>Input Voltage</b>						
• Low	VDDO = 1.8V	$V_{IL}$	–	–	0.6	V
	VDDO = 3.3	$V_{IL}$	–	–	0.8	V
• High	VDDO = 1.8V	$V_{IH}$	1.1	–	–	V
	VDDO = 3.3V	$V_{IH}$	2.0	–	–	V
<b>Output Voltage</b>						
• Low	–	$V_{OL}$	–	–	0.4	V
• High	VDDO – 0.4V	$V_{OH}$	–	–	–	V
<b>Input Current</b>						
• Low	–	$I_{IL}$	–	–	1.0	$\mu$ A
• High	–	$I_{IH}$	–	–	1.0	$\mu$ A
<b>Output Current</b>						
• Low	VDDO = 3.3V, $V_{OL}$ = 0.4V	$I_{OL}$	–	–	2.0	mA
• High	VDDO = 3.3V, $V_{OH}$ = 2.9V	$I_{OH}$	–	–	4.0	mA
	VDDO = 1.8V, $V_{OH}$ = 1.4	$I_{OH}$	–	–	TBD	mA
<b>Input capacitance</b>	–	$C_{IN}$	–	–	0.4	pF

**Note:** In Table 14, current consumption measurements are taken at VBAT with the assumption that VBAT is connected to VDDO and VDD2P5\_IN.

3.1.2 Current Consumption

**Table 14. Bluetooth, BLE, BR and EDR Current Consumption, Class 1**

Mode	Remarks	Typ.	Unit
<b>3DH5/3DH5</b>	–	37.10	mA
<b>BLE</b>			
• BLE	Connected 600 ms interval	211	µA
• BLE ADV	Unconnectable 1.00 sec	176	µA
• BLE Scan	No devices present. A 1.28-sec interval with 11.25 ms scan window.	355	µA
<b>DMx/DHx</b>			
• DM1/DH1	–	32.15	mA
• DM3/DH3	–	38.14	mA
• DM5/DH5	–	38.46	mA
<b>HIDOFF</b>	Deep sleep	2.69	µA
<b>Page scan</b>	Periodic scan rate is 1.28 sec	0.486	mA
<b>Receive</b>			
• 1 Mbps	Peak current level during reception of a basic-rate packet.	26.373	mA
• EDR	Peak current level during the reception of a 2 or 3 Mbps rate packet.	26.373	mA
<b>Sniff Slave</b>			
• 11.25 ms	–	4.95	mA
• 22.5 ms	–	2.6	mA
• 495.00 ms	Based on one attempt and no timeout.	254	µA
<b>Transmit</b>			
• 1 Mbps	Peak current level during the transmission of a basic-rate packet: GFSK output power = 10 dBm.	60.289	mA
• EDR	Peak current level during the transmission of a 2 or 3 Mbps rate packet. EDR output power = 8 dBm.	52.485	mA

**Note:** In Table 15, current consumption measurements are taken at input of VDD2P5\_IN, VDDO, and VBAT combined (VDD2P5\_IN = VDDO = VBAT = 3.0V).

**Table 15. Bluetooth and BLE Current Consumption, Class 2 (0 dBm)**

Mode	Remarks	Typ.	Unit
<b>3DH5/3DH5</b>	–	31.57	mA
<b>BLE</b>			
• BLE ADV	Unconnectable 1.00 sec	174	µA
• BLE Scan	No devices present. A 1.28-sec interval with 11.25 ms scan window.	368	µA
<b>DMx/DHx</b>			
• DM1/DH1	–	27.5	mA
• DM3/DH3	–	31.34	mA
• DM5/DH5	–	32.36	mA

### 3.2 RF Specifications

**Note:**

- All specifications in Table 16 are for industrial temperatures.
- All specifications in Table 16 are single-ended. Unused inputs are left open.

**Table 16. Receiver RF Specifications**

Parameter	Conditions	Minimum	Typical <sup>1</sup>	Maximum	Unit
<b>General</b>					
Frequency range	–	2402	–	2480	MHz
RX sensitivity <sup>2</sup>	GFSK, 0.1% BER, 1 Mbps	–	–93.5	–	dBm
	LE GFSK, 0.1% BER, 1 Mbps	–	–96.5	–	dBm
	$\pi/4$ -DQPSK, 0.01% BER, 2 Mbps	–	–95.5	–	dBm
	8-DPSK, 0.01% BER, 3 Mbps	–	–89.5	–	dBm
Maximum input	GFSK, 1 Mbps	–	–	–20	dBm
Maximum input	$\pi/4$ -DQPSK, 8-DPSK, 2/3 Mbps	–	–	–20	dBm
<b>Interference Performance</b>					
C/I cochannel	GFSK, 0.1% BER	–	9.5	11	dB
C/I 1 MHz adjacent channel	GFSK, 0.1% BER	–	–5	0	dB
C/I 2 MHz adjacent channel	GFSK, 0.1% BER	–	–40	–30.0	dB
C/I $\geq$ 3 MHz adjacent channel	GFSK, 0.1% BER	–	–49	–40.0	dB
C/I image channel	GFSK, 0.1% BER	–	–27	–9.0	dB
C/I 1 MHz adjacent to image channel	GFSK, 0.1% BER	–	–37	–20.0	dB
C/I cochannel	$\pi/4$ -DQPSK, 0.1% BER	–	11	13	dB
C/I 1 MHz adjacent channel	$\pi/4$ -DQPSK, 0.1% BER	–	–8	0	dB
C/I 2 MHz adjacent channel	$\pi/4$ -DQPSK, 0.1% BER	–	–40	–30.0	dB
C/I $\geq$ 3 MHz adjacent channel	8-DPSK, 0.1% BER	–	–50	–40.0	dB
C/I image channel	$\pi/4$ -DQPSK, 0.1% BER	–	–27	–7.0	dB
C/I 1 MHz adjacent to image channel	$\pi/4$ -DQPSK, 0.1% BER	–	–40	–20.0	dB
C/I cochannel	8-DPSK, 0.1% BER	–	17	21	dB
C/I 1 MHz adjacent channel	8-DPSK, 0.1% BER	–	–5	5	dB
C/I 2 MHz adjacent channel	8-DPSK, 0.1% BER	–	–40	–25.0	dB
C/I $\geq$ 3 MHz adjacent channel	8-DPSK, 0.1% BER	–	–47	–33.0	dB
C/I Image channel	8-DPSK, 0.1% BER	–	–20	0	dB
C/I 1 MHz adjacent to image channel	8-DPSK, 0.1% BER	–	–35	–13.0	dB
<b>Out-of-Band Blocking Performance (CW)<sup>3</sup></b>					
30 MHz–2000 MHz	0.1% BER	–	–10.0	–	dBm
2000–2399 MHz	0.1% BER	–	–27	–	dBm
2498–3000 MHz	0.1% BER	–	–27	–	dBm
3000 MHz–12.75 GHz	0.1% BER	–	–10.0	–	dBm

**Table 16. Receiver RF Specifications (Cont.)**

Parameter	Conditions	Minimum	Typical <sup>1</sup>	Maximum	Unit
<b>Out-of-Band Blocking Performance, Modulated Interferer</b>					
776–764 MHz	CDMA	–	–10 <sup>4</sup>	–	dBm
824–849 MHz	CDMA	–	–10 <sup>4</sup>	–	dBm
1850–1910 MHz	CDMA	–	–23 <sup>4</sup>	–	dBm
824–849 MHz	EDGE/GSM	–	–10 <sup>4</sup>	–	dBm
880–915 MHz	EDGE/GSM	–	–10 <sup>4</sup>	–	dBm
1710–1785 MHz	EDGE/GSM	–	–23 <sup>4</sup>	–	dBm
1850–1910 MHz	EDGE/GSM	–	–23 <sup>4</sup>	–	dBm
1850–1910 MHz	WCDMA	–	–23 <sup>4</sup>	–	dBm
1920–1980 MHz	WCDMA	–	–23 <sup>4</sup>	–	dBm
<b>Intermodulation Performance<sup>5</sup></b>					
BT, Df = 5 MHz	–	–39.0	–	–	dBm
<b>Spurious Emissions<sup>6</sup></b>					
30 MHz to 1 GHz	–	–	–	–62	dBm
1 GHz to 12.75 GHz	–	–	–	–47	dBm
65 MHz to 108 MHz	FM Rx	–	–147	–	dBm/Hz
746 MHz to 764 MHz	CDMA	–	–147	–	dBm/Hz
851–894 MHz	CDMA	–	–147	–	dBm/Hz
925–960 MHz	EDGE/GSM	–	–147	–	dBm/Hz
1805–1880 MHz	EDGE/GSM	–	–147	–	dBm/Hz
1930–1990 MHz	PCS	–	–147	–	dBm/Hz
2110–2170 MHz	WCDMA	–	–147	–	dBm/Hz
<b>20707 GLONASS Band Spurious Emissions<sup>7</sup></b>					
Spurious Emissions	–	–	–118	–	dBm/Hz
<b>Out-of-Band Noise Floor</b>					
1570-1580MHz	GPS	–	–147	–	dBm/Hz
1592-1610MHz	GLONASS	–	–147	–	dBm/Hz

1. Typical operating conditions are 1.22V operating voltage and 25°C ambient temperature.
2. The receiver sensitivity is measured at BER of 0.1% on the device interface.
3. Meets this specification using a front-end bandpass filter.
4. Numbers are referred to the pin output with an external BPF filter.
5. f<sub>0</sub> = –64 dBm Bluetooth-modulated signal, f<sub>1</sub> = –39 dBm sine wave, f<sub>2</sub> = –39 dBm Bluetooth-modulated signal, f<sub>0</sub> = 2f<sub>1</sub> – f<sub>2</sub>, and |f<sub>2</sub> – f<sub>1</sub>| = n\*1 MHz, where n is 3, 4, or 5. For the typical case, n = 4.
6. Includes baseband radiated emissions.
7. Max TX power (12dBm at chip out), Modulation is PRBS9, Modulation type is GFSK.

**Note:**

- All specifications in [Table 17](#) are for industrial temperatures.
- All specifications in [Table 17](#) are single-ended. Unused inputs are left open.

**Table 17. Transmitter RF Specifications**

Parameter	Conditions	Minimum	Typical	Maximum	Unit
<b>General</b>					
Frequency range	–	2402	–	2480	MHz
Class1: GFSK Tx power <sup>1</sup>	–	–	12	–	dBm
Class1: EDR Tx power <sup>2</sup>	–	–	9	–	dBm
Class 2: GFSK Tx power	–	–	2	–	dBm
Power control step	–	2	4	8	dB
<b>Modulation Accuracy</b>					
$\pi/4$ -DQPSK Frequency Stability	–	–10	–	10	kHz
$\pi/4$ -DQPSK RMS DEVM	–	–	–	20	%
$\pi/4$ -QPSK Peak DEVM	–	–	–	35	%
$\pi/4$ -DQPSK 99% DEVM	–	–	–	30	%
8-DPSK frequency stability	–	–10	–	10	kHz
8-DPSK RMS DEVM	–	–	–	13	%
8-DPSK Peak DEVM	–	–	–	25	%
8-DPSK 99% DEVM	–	–	–	20	%
<b>In-Band Spurious Emissions</b>					
1.0 MHz <  M – N  < 1.5 MHz	–	–	–	–26	dBc
1.5 MHz <  M – N  < 2.5 MHz	–	–	–	–20	dBm
M – N  $\geq$ 2.5 MHz	–	–	–	–40	dBm
<b>Out-of-Band Spurious Emissions</b>					
30 MHz to 1 GHz	–	–	–	–36.0 <sup>3</sup>	dBm
1 GHz to 12.75 GHz	–	–	–	–30.0 <sup>3, 4</sup>	dBm
1.8 GHz to 1.9 GHz	–	–	–	–47.0	dBm
5.15 GHz to 5.3 GHz	–	–	–	–47.0	dBm

1. 12 dBm output for GFSK measured with PAVDD = 2.5V.
2. 9 dBm output for EDR measured with PAVDD = 2.5V.
3. Maximum value is the value required for Bluetooth qualification.
4. Meets this spec using a front-end band pass filter.

**Table 18. BLE RF Specifications**

Parameter	Conditions	Minimum	Typical	Maximum	Unit
Frequency range	N/A	2402	–	2480	MHz
Rx sense <sup>1</sup>	GFSK, 0.1% BER, 1 Mbps	–	–96.5	–	dBm
Tx power <sup>2</sup>	N/A	–	9	–	dBm
Mod Char: Delta F1 average	N/A	225	255	275	kHz
Mod Char: Delta F2 max <sup>3</sup>	N/A	99.9	–	–	%
Mod Char: Ratio	N/A	0.8	0.95	–	%

1. Dirty Tx is Off.
2. The BLE Tx power can be increased to compensate for front-end losses such as BPF, diplexer, switch, etc. The output is capped at 12 dBm out. The BLE Tx power at the antenna port cannot exceed the 10 dBm EIRP specification limit.
3. At least 99.9% of all delta F2 max frequency values recorded over 10 packets must be greater than 185 kHz.

**3.3 Timing and AC Characteristics**

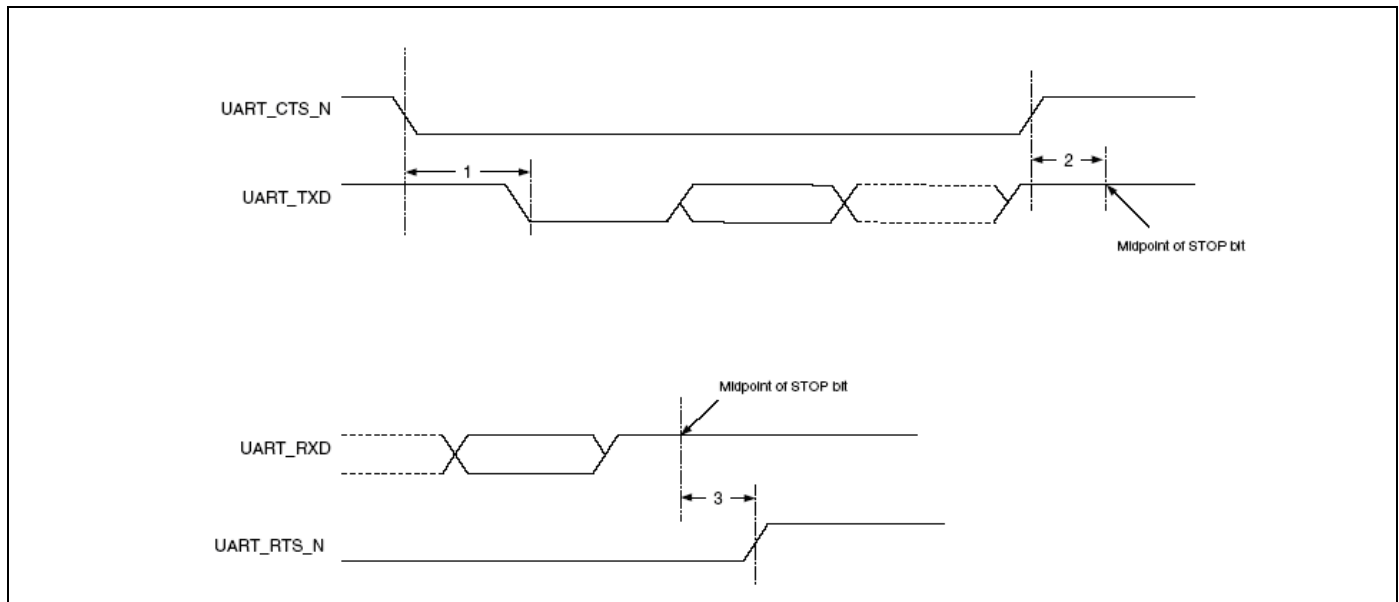
In this section, use the numbers listed in the **Reference** column of each table to interpret the following timing diagrams.

**3.3.1 UART Timing**

**Table 19. UART Timing Specifications**

Reference	Characteristics	Min.	Max.	Unit
1	Delay time, UART_CTS_N low to UART_TXD valid	–	24	Baud out cycles
2	Setup time, UART_CTS_N high before midpoint of stop bit	–	10	ns
3	Delay time, midpoint of stop bit to UART_RTS_N high	–	2	Baud out cycles

**Figure 10. UART Timing**



3.3.2 SPI Timing

The SPI interface can be clocked up to 12 MHz.

Table 20 and Figure 11 show the timing requirements when operating in SPI Mode 0 and 2.

Table 20. SPI Mode 0 and 2

Reference	Characteristics	Minimum	Maximum	Unit
1	Time from slave assert SPI_INT to master assert SPI_CSN (DirectRead)	0	$\infty$	ns
2	Time from master assert SPI_CSN to slave assert SPI_INT (DirectWrite)	0	$\infty$	ns
3	Time from master assert SPI_CSN to first clock edge	20	$\infty$	ns
4	Setup time for MOSI data lines	8	$1/2$ SCK	ns
5	Hold time for MOSI data lines	8	$1/2$ SCK	ns
6	Time from last sample on MOSI/MISO to slave deassert SPI_INT	0	100	ns
7	Time from slave deassert SPI_INT to master deassert SPI_CSN	0	$\infty$	ns
8	Idle time between subsequent SPI transactions	1 SCK	$\infty$	ns

Figure 11. SPI Timing, Mode 0 and 2

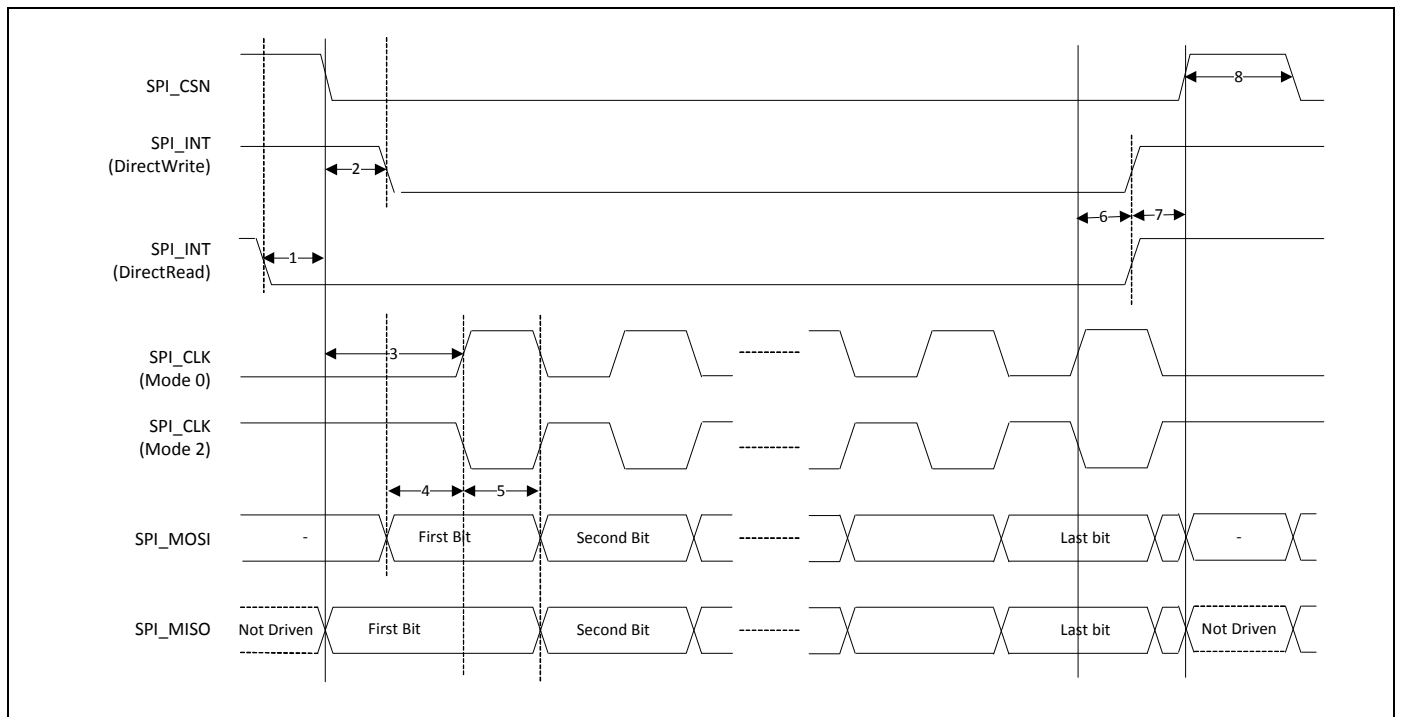
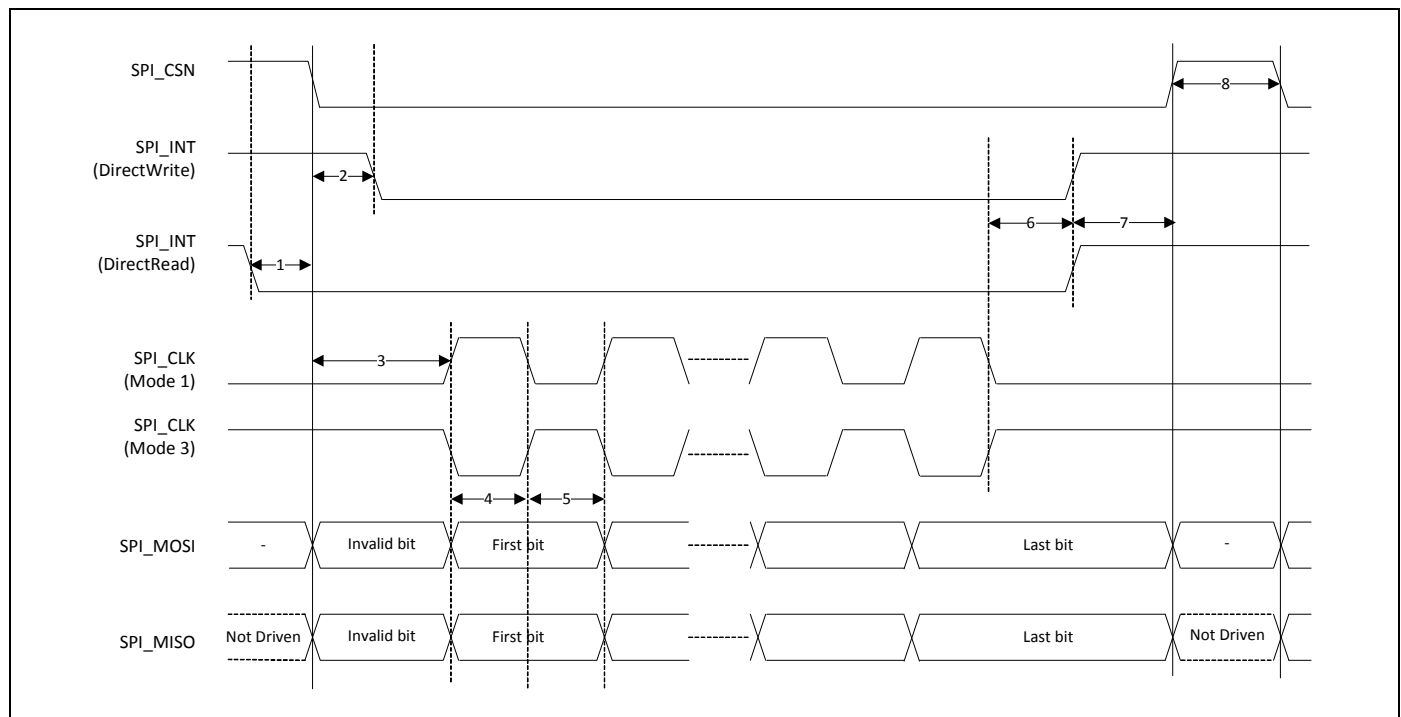


Table 21 and Figure 12 show the timing requirements when operating in SPI Mode 0 and 2.

**Table 21. SPI Mode 1 and 3**

Reference	Characteristics	Minimum	Maximum	Unit
1	Time from slave assert SPI_INT to master assert SPI_CSN (DirectRead)	0	$\infty$	ns
2	Time from master assert SPI_CSN to slave assert SPI_INT (DirectWrite)	0	$\infty$	ns
3	Time from master assert SPI_CSN to first clock edge	20	$\infty$	ns
4	Setup time for MOSI data lines	8	$\frac{1}{2}$ SCK	ns
5	Hold time for MOSI data lines	8	$\frac{1}{2}$ SCK	ns
6	Time from last sample on MOSI/MISO to slave deassert SPI_INT	0	100	ns
7	Time from slave deassert SPI_INT to master deassert SPI_CSN	0	$\infty$	ns
8	Idle time between subsequent SPI transactions	1 SCK	$\infty$	ns

**Figure 12. SPI Timing, Mode 1 and 3**



3.3.3 BSC Interface Timing

The specifications in Table 22 references Figure 13.

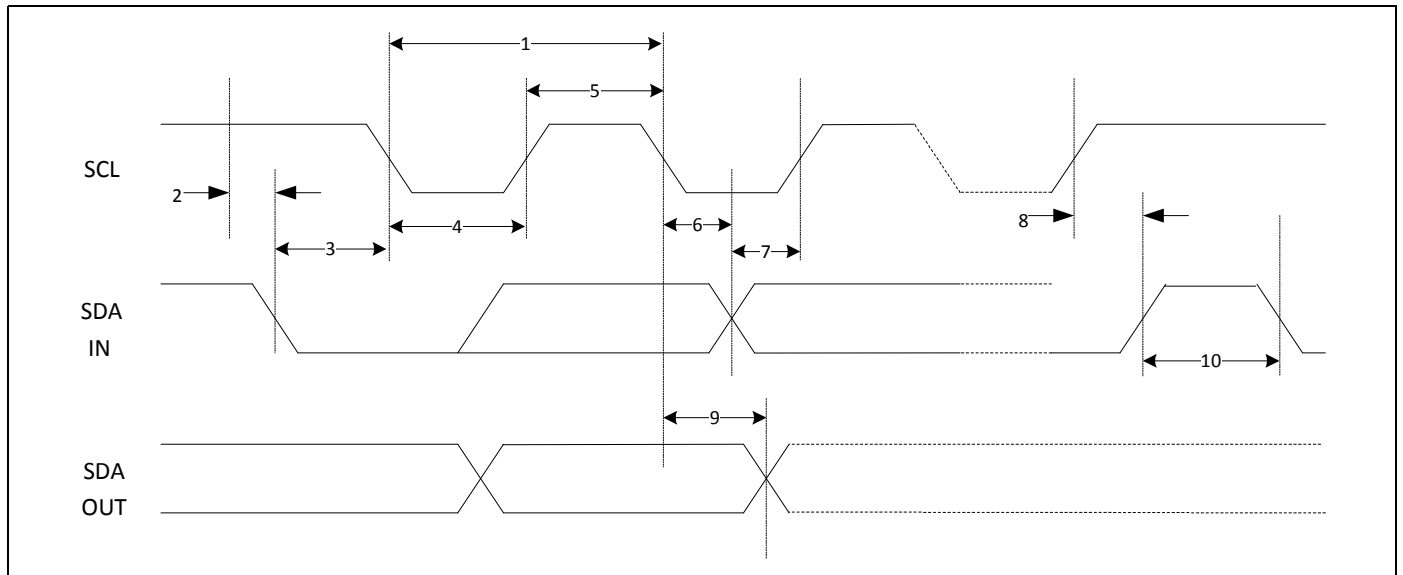
**Table 22. BSC Interface Timing Specifications (up to 1 MHz)**

Reference	Characteristics	Minimum	Maximum	Unit	
1	Clock frequency	–	100 400 800 1000	kHz	
2	START condition setup time	650	–		ns
3	START condition hold time	280	–		ns
4	Clock low time	650	–		ns
5	Clock high time	280	–	ns	
6	Data input hold time <sup>1</sup>	0	–	ns	
7	Data input setup time	100	–	ns	
8	STOP condition setup time	280	–	ns	
9	Output valid from clock	–	400	ns	
10	Bus free time <sup>2</sup>	650	–	ns	

1. As a transmitter, 125 ns of delay is provided to bridge the undefined region of the falling edge of SCL to avoid unintended generation of START or STOP conditions.

2. Time that the CBUS must be free before a new transaction can start.

**Figure 13. BSC Interface Timing Diagram**



3.3.4 PCM Interface Timing

Short Frame Sync, Master Mode

Figure 14. PCM Timing Diagram (Short Frame Sync, Master Mode)

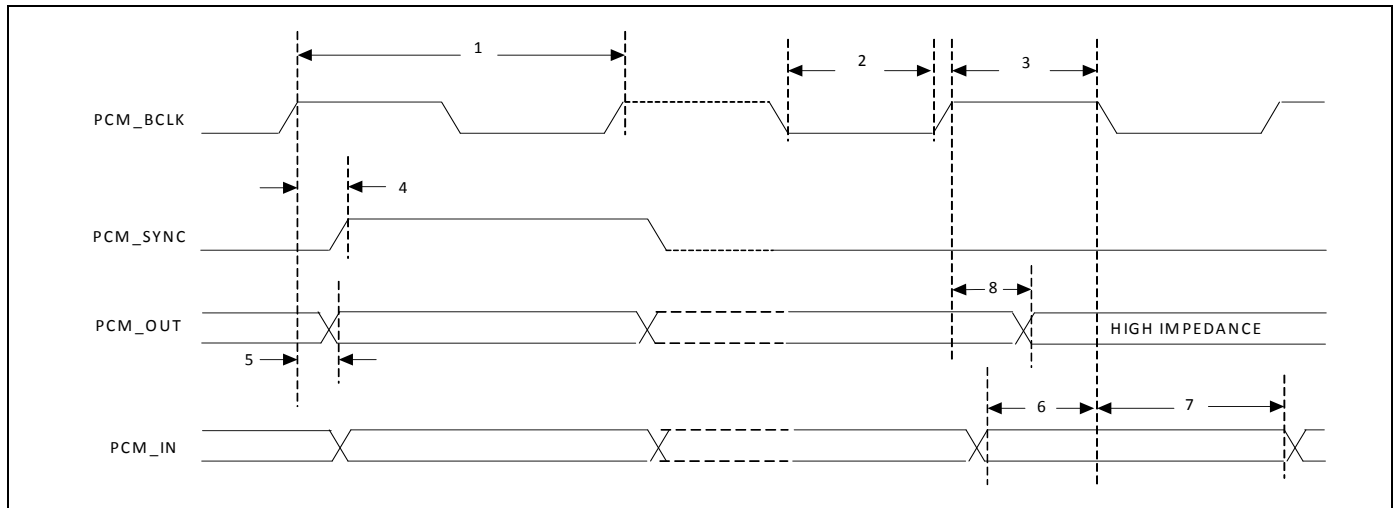
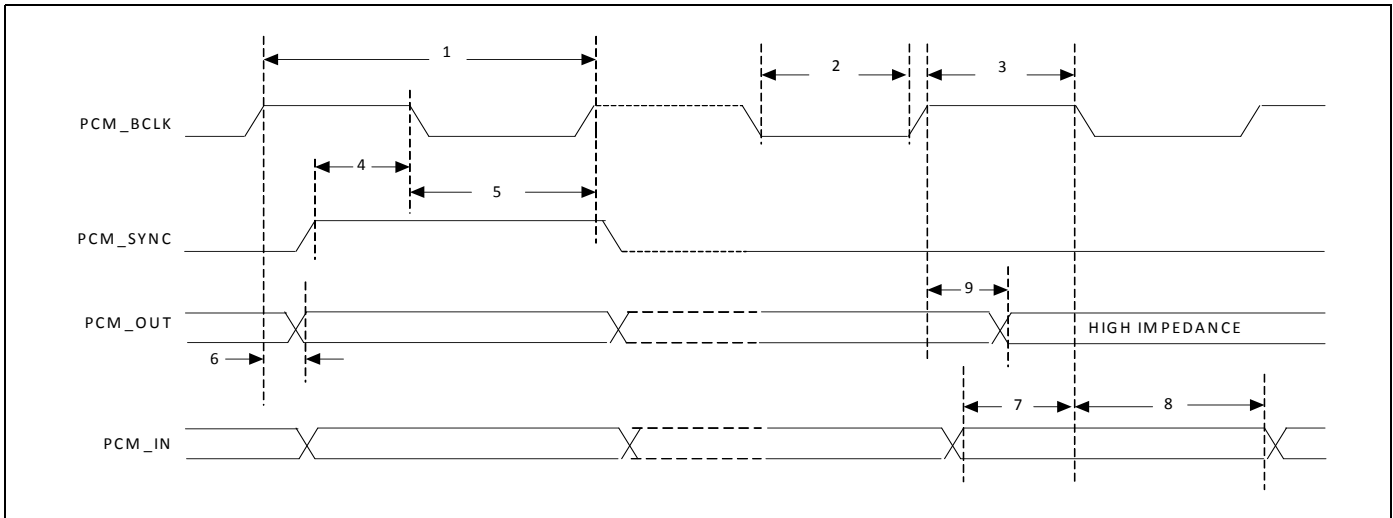


Table 23. PCM Interface Timing Specifications (Short Frame Sync, Master Mode)

Reference	Characteristics	Minimum	Typical	Maximum	Unit
1	PCM bit clock frequency	–	–	20.0	MHz
2	PCM bit clock LOW	20.0	–	–	ns
3	PCM bit clock HIGH	20.0	–	–	ns
4	PCM_SYNC delay	0	–	5.7	ns
5	PCM_OUT delay	–0.4	–	5.6	ns
6	PCM_IN setup	16.9	–	–	ns
7	PCM_IN hold	25.0	–	–	ns
8	Delay from rising edge of PCM_BCLK during last bit period to PCM_OUT becoming high impedance	–0.4	–	5.6	ns

**Short Frame Sync, Slave Mode**

**Figure 15. PCM Timing Diagram (Short Frame Sync, Slave Mode)**

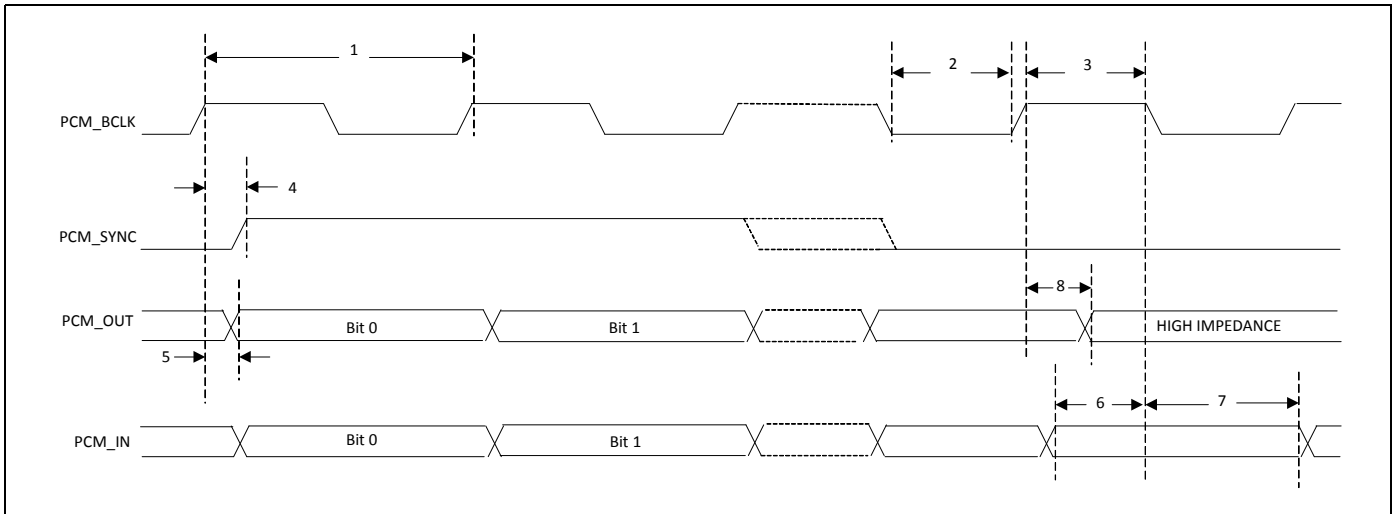


**Table 24. PCM Interface Timing Specifications (Short Frame Sync, Slave Mode)**

Reference	Characteristics	Minimum	Typical	Maximum	Unit
1	PCM bit clock frequency	–	–	TBD	MHz
2	PCM bit clock LOW	TBD	–	–	ns
3	PCM bit clock HIGH	TBD	–	–	ns
4	PCM_SYNC setup	TBD	–	–	ns
5	PCM_SYNC hold	TBD	–	–	ns
6	PCM_OUT delay	TBD	–	TBD	ns
7	PCM_IN setup	TBD	–	–	ns
8	PCM_IN hold	TBD	–	–	ns
9	Delay from rising edge of PCM_BCLK during last bit period to PCM_OUT becoming high impedance	TBD	–	TBD	ns

**Long Frame Sync, Master Mode**

**Figure 16. PCM Timing Diagram (Long Frame Sync, Master Mode)**



**Table 25. PCM Interface Timing Specifications (Long Frame Sync, Master Mode)**

Reference	Characteristics	Minimum	Typical	Maximum	Unit
1	PCM bit clock frequency	–	–	TBD	MHz
2	PCM bit clock LOW	TBD	–	–	ns
3	PCM bit clock HIGH	TBD	–	–	ns
4	PCM_SYNC delay	TBD	–	TBD	ns
5	PCM_OUT delay	TBD	–	TBD	ns
6	PCM_IN setup	TBD	–	–	ns
7	PCM_IN hold	TBD	–	–	ns
8	Delay from rising edge of PCM_BCLK during last bit period to PCM_OUT becoming high impedance	TBD	–	TBD	ns

Long Frame Sync, Slave Mode

Figure 17. PCM Timing Diagram (Long Frame Sync, Slave Mode)

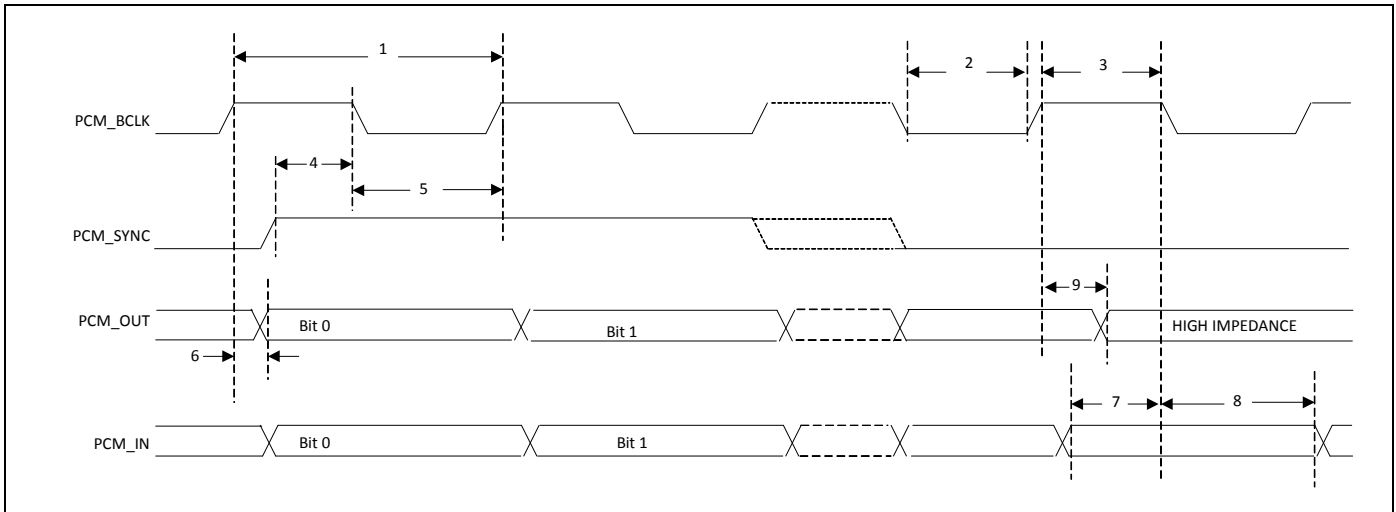


Table 26. PCM Interface Timing Specifications (Long Frame Sync, Slave Mode)

Reference	Characteristics	Minimum	Typical	Maximum	Unit
1	PCM bit clock frequency	–	–	TBD	MHz
2	PCM bit clock LOW	TBD	–	–	ns
3	PCM bit clock HIGH	TBD	–	–	ns
4	PCM_SYNC setup	TBD	–	–	ns
5	PCM_SYNC hold	TBD	–	–	ns
6	PCM_OUT delay	TBD	–	TBD	ns
7	PCM_IN setup	TBD	–	–	ns
8	PCM_IN hold	TBD	–	–	ns
9	Delay from rising edge of PCM_BCLK during last bit period to PCM_OUT becoming high impedance	TBD	–	TBD	ns

3.3.5 I<sup>2</sup>S Timing

The CYW20707 supports two independent I<sup>2</sup>S digital audio ports. The I<sup>2</sup>S interface supports both master and slave modes. The I<sup>2</sup>S signals are:

- I<sup>2</sup>S clock: I<sup>2</sup>S SCK
- I<sup>2</sup>S Word Select: I<sup>2</sup>S WS
- I<sup>2</sup>S Data Out: I<sup>2</sup>S SDO
- I<sup>2</sup>S Data In: I<sup>2</sup>S SDI

I<sup>2</sup>S SCK and I<sup>2</sup>S WS become outputs in master mode and inputs in slave mode, while I<sup>2</sup>S SDO always stays as an output. The channel word length is 16 bits and the data is justified so that the MSB of the left-channel data is aligned with the MSB of the I<sup>2</sup>S bus, per the I<sup>2</sup>S specification. The MSB of each data word is transmitted one bit clock cycle after the I<sup>2</sup>S WS transition, synchronous with the falling edge of bit clock. Left-channel data is transmitted when I<sup>2</sup>S WS is low, and right-channel data is transmitted when I<sup>2</sup>S WS is high. Data bits sent by the CYW20707 are synchronized with the falling edge of I<sup>2</sup>S\_SCK and should be sampled by the receiver on the rising edge of I<sup>2</sup>S\_SCK.

The clock rate in master mode is either of the following:

$$48 \text{ kHz} \times 32 \text{ bits per frame} = 1.536 \text{ MHz}$$

$$48 \text{ kHz} \times 50 \text{ bits per frame} = 2.400 \text{ MHz}$$

The master clock is generated from the input reference clock using a N/M clock divider.

In the slave mode, any clock rate is supported to a maximum of 3.072 MHz.

**Note:** Timing values specified in [Table 27](#) are relative to high and low threshold levels.

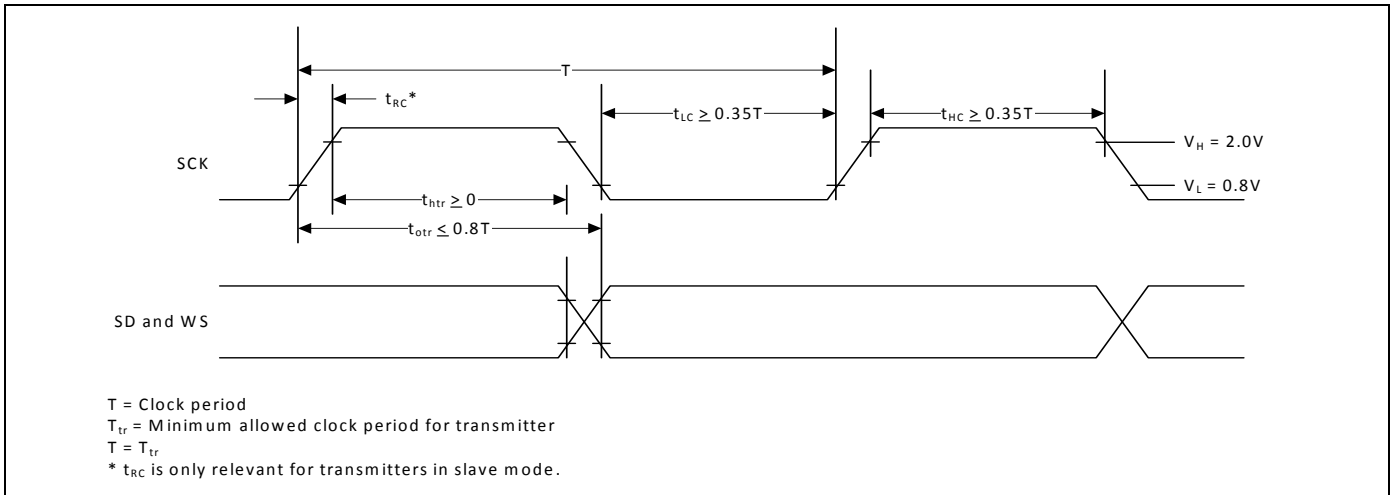
**Table 27. Timing for I<sup>2</sup>S Transmitters and Receivers**

	Transmitter				Receiver				Notes
	Lower Limit		Upper Limit		Lower Limit		Upper Limit		
	Min	Max	Min	Max	Min	Max	Min	Max	
Clock Period T	$T_{tr}$	–	–	–	$T_r$	–	–	–	1
<b>Master Mode: Clock generated by transmitter or receiver</b>									
HIGH $t_{HC}$	$0.35T_{tr}$	–	–	–	$0.35T_{tr}$	–	–	–	2
LOW $t_{LC}$	$0.35T_{tr}$	–	–	–	$0.35T_{tr}$	–	–	–	2
<b>Slave Mode: Clock accepted by transmitter or receiver</b>									
HIGH $t_{HC}$	–	$0.35T_{tr}$	–	–	–	$0.35T_{tr}$	–	–	3
LOW $t_{LC}$	–	$0.35T_{tr}$	–	–	–	$0.35T_{tr}$	–	–	3
Rise time $t_{RC}$	–	–	$0.15T_{tr}$	–	–	–	–	–	4
<b>Transmitter</b>									
Delay $t_{dtr}$	–	–	–	$0.8T$	–	–	–	–	5
Hold time $t_{htr}$	0	–	–	–	–	–	–	–	4
<b>Receiver</b>									
Setup time $t_{sr}$	–	–	–	–	–	$0.2T_r$	–	–	6
Hold time $t_{hr}$	–	–	–	–	–	0	–	–	6

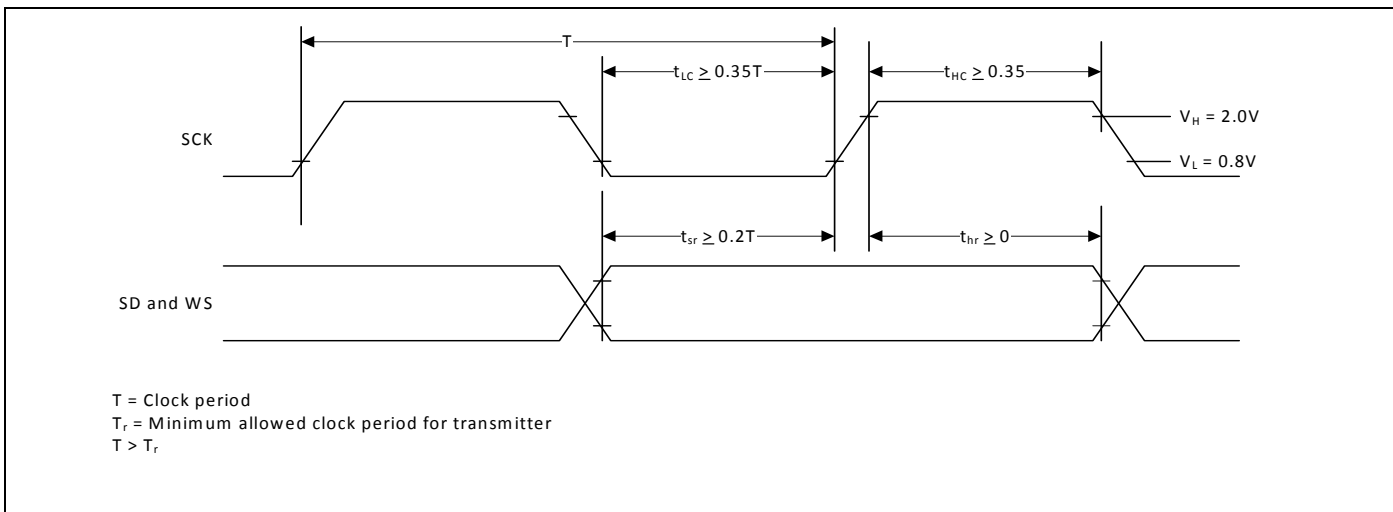
1. The system clock period T must be greater than  $T_{tr}$  and  $T_r$  because both the transmitter and receiver have to be able to handle the data transfer rate.
2. At all data rates in master mode, the transmitter or receiver generates a clock signal with a fixed mark/space ratio. For this reason,  $t_{HC}$  and  $t_{LC}$  are specified with respect to T.
3. In slave mode, the transmitter and receiver need a clock signal with minimum HIGH and LOW periods so that they can detect the signal. So long as the minimum periods are greater than  $0.35T_r$ , any clock that meets the requirements can be used.
4. Because the delay ( $t_{dtr}$ ) and the maximum transmitter speed (defined by  $T_{tr}$ ) are related, a fast transmitter driven by a slow clock edge can result in  $t_{dtr}$  not exceeding  $t_{RC}$  which means  $t_{htr}$  becomes zero or negative. Therefore, the transmitter has to guarantee that  $t_{htr}$  is greater than or equal to zero, so long as the clock rise time  $t_{RC}$  is not more than  $t_{RCmax}$ , where  $t_{RCmax}$  is not less than  $0.15T_{tr}$ .
5. To allow data to be clocked out on a falling edge, the delay is specified with respect to the rising edge of the clock signal and T, always giving the receiver sufficient setup time.
6. The data setup and hold time must not be less than the specified receiver setup and hold time.

**Note:** The time periods specified in [Figure 18](#) and [Figure 19](#) are defined by the transmitter speed. The receiver specifications must match transmitter performance.

**Figure 18. I<sup>2</sup>S Transmitter Timing**



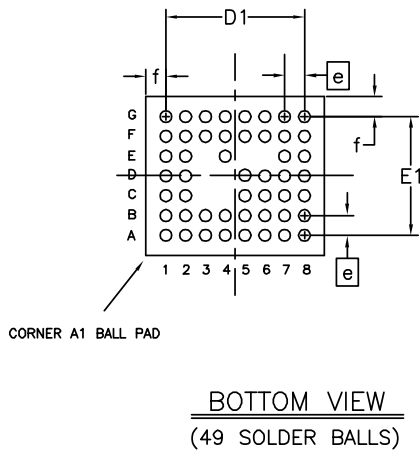
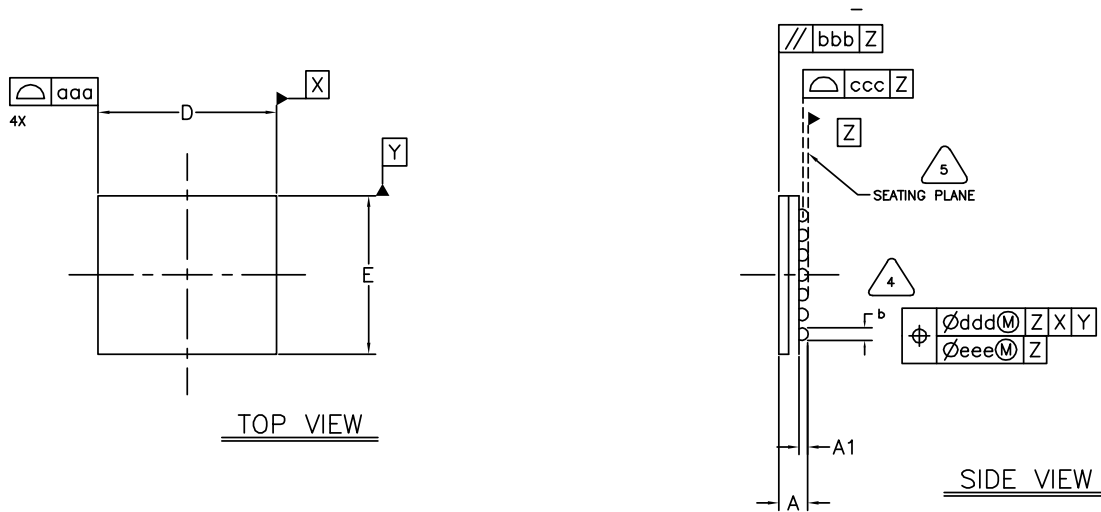
**Figure 19. I<sup>2</sup>S Receiver Timing**



## 4. Mechanical Information

### 4.1 Package Diagrams

Figure 20. CYW20707 49-pin FBGA Package (4.5 mm x 4.0 mm)



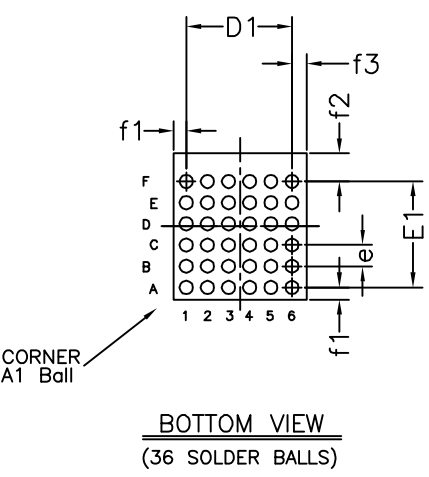
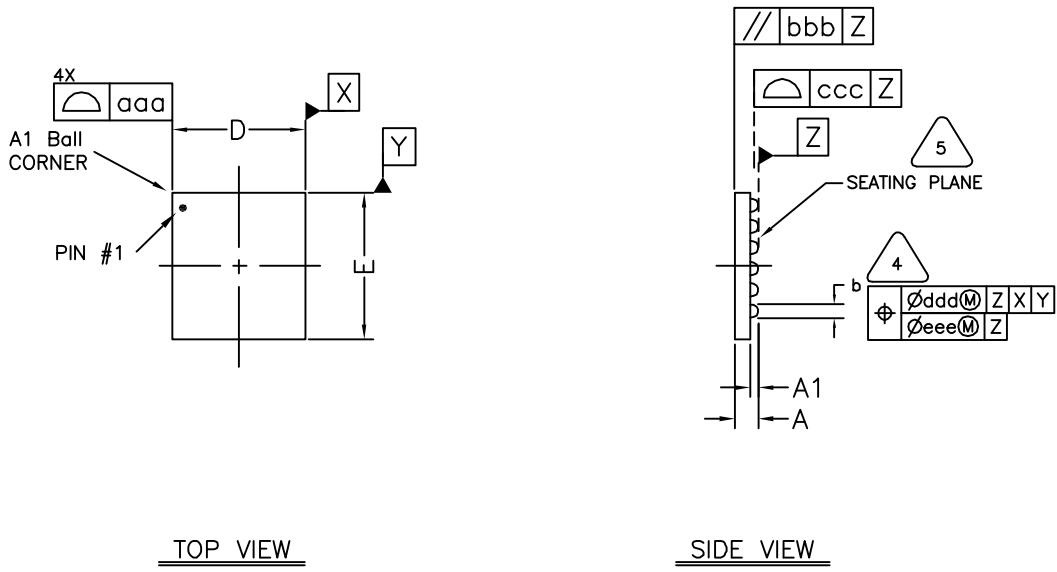
DIMENSIONAL REFERENCES (mm)			
REF.	MIN	NOM	MAX
A	-	-	1.05
A1	0.13	0.16	0.19
D	4.40	4.50	4.60
D1		3.50 BSC	
E	3.90	4.00	4.10
E1		3.00 BSC	
b	0.20	0.25	0.30
e		0.50 BSC	
f	-	0.5	-
aaa	-	-	0.10
bbb	-	-	0.10
ccc	-	-	0.08
ddd	-	-	0.15
eee	-	-	0.05

Filename: MOD-000-0000-000

- 5. PRIMARY DATUM Z AND SEATING PLANE ARE DEFINED BY THE SPHERICAL CROWNS OF THE SOLDER BALLS.
- 4. DIMENSION IS MEASURED AT THE MAXIMUM SOLDER BALL DIAMETER, PARALLEL TO PRIMARY DATUM Z.
- 3. THE BASIC SOLDER BALL GRID PITCH IS 0.50mm
- 2. THIS PACKAGE CONFORMS TO THE JEDEC REGISTERED OUTLINE MO-207.
- 1. ALL DIMENSIONS AND TOLERANCES CONFORM TO ASME Y14.5M-1994.

NOTES: UNLESS OTHERWISE SPECIFIED

**Figure 21. CYW20707 36-pin WLBGA Package (2.8 mm x 2.5 mm)**



DIMENSIONAL REFERENCES (mm)			
REF.	MIN	NOM	MAX
A	0.45	0.50	0.55
A1	0.18	0.19	0.22
D	2.47	2.51	2.55
D1	2.0 REF.		
E	2.73	2.77	2.81
E1	2.0 REF.		
b	0.20	0.25	0.30
e	0.40 BSC		
f1	0.23 BSC		
f2	0.54 BSC		
f3	0.28 BSC		
aaa	-	-	0.10
bbb	-	-	0.10
ccc	-	-	0.05
ddd	-	-	0.10
eee	-	-	0.05

AGILE: MOD01978

6. REFER TO BROADCOM APPLICATION NOTE "WAFER-LEVEL BALL GRID ARRAY (WLBGA) OVERVIEW AND ASSEMBLY GUIDELINES" FOR DESIGN, IMPLEMENTATION, AND MANUFACTURING RECOMMENDATIONS AND GUIDELINES.
5. PRIMARY DATUM Z AND SEATING PLANE ARE DEFINED BY THE SPHERICAL CROWNS OF THE SOLDER BUMPS.
4. DIMENSION IS MEASURED AT THE MAXIMUM SOLDER BUMP DIAMETER, PARALLEL TO PRIMARY DATUM Z.
3. THE BASIC SOLDER BUMP PITCH IS 0.40mm
  2. THIS PACKAGE CONFORMS TO THE JEDEC REGISTERED OUTLINE MO-225.
  1. ALL DIMENSIONS AND TOLERANCES CONFORM TO ASME Y14.5M-1994.
- NOTES: UNLESS OTHERWISE SPECIFIED

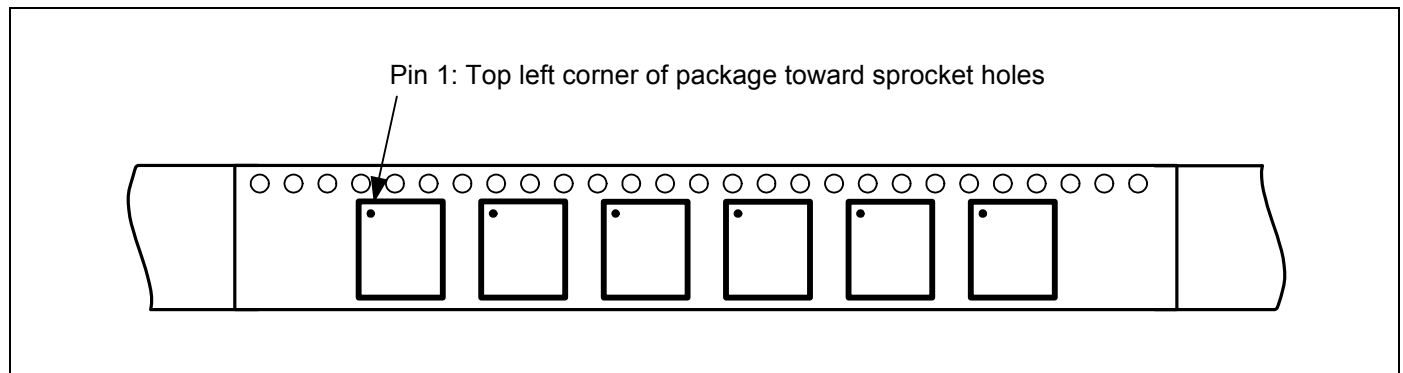
**4.2 Tape Reel and Packaging Specifications**

**Table 28. CYW20707 Tape Reel Specifications**

Parameter	Value
Quantity per reel	2500
Reel diameter	13 inches
Hub diameter	4 inches
Tape width	16 mm
Tape pitch	12 mm

The top-left corner of the CYW20707 package is situated near the sprocket holes, as shown in [Figure 22](#).

**Figure 22. Pin 1 Orientation**



## 5. Ordering Information

Table 29. Ordering Information

Part Number	Package
CYW20707UA2KFFB4G	49-pin FBGA
CYW20707UA2EKUBGT	36-pin WLBGA

## 6. Additional information

### 6.1 Acronyms and Abbreviations

The following list of acronyms and abbreviations may appear in this document.

Term	Description
ADC	analog-to-digital converter
AFH	adaptive frequency hopping
AHB	advanced high-performance bus
APB	advanced peripheral bus
APU	audio processing unit
ARM7TDMI-S™	Acorn RISC Machine 7 Thumb instruction, Debugger, Multiplier, Ice, Synthesizable
BTC	Bluetooth controller
COEX	coexistence
DFU	device firmware update
DMA	direct memory access
EBI	external bus interface
HCI	Host Control Interface
HV	high voltage
IDC	initial digital calibration
IF	intermediate frequency
IRQ	interrupt request
JTAG	Joint Test Action Group
LCU	link control unit
LDO	low dropout
LHL	lean high land
LPO	low power oscillator
LV	LogicVision™
MIA	multiple interface agent
PCM	pulse code modulation
PLL	phase locked loop
PMU	power management unit
POR	power-on reset
PWM	pulse width modulation
QD	quadrature decoder
RAM	random access memory
RC oscillator	A resistor-capacitor oscillator is a circuit composed of an amplifier, which provides the output signal, and a resistor-capacitor network, which controls the frequency of the signal.
RF	radio frequency
ROM	read-only memory
RX/TX	receive, transmit
SPI	serial peripheral interface
SW	software
UART	universal asynchronous receiver/transmitter
UPI	μ-processor interface
WD	watchdog

In most cases, acronyms and abbreviations are defined upon first use. For a more complete list of acronyms and other terms used in Cypress documents, go to: <http://www.cypress.com/glossary>.

## **6.2 IoT Resources**

Cypress provides a wealth of data at <http://www.cypress.com/internet-things-iot> to help you to select the right IoT device for your design, and quickly and effectively integrate the device into your design. Cypress provides customer access to a wide range of information, including technical documentation, schematic diagrams, product bill of materials, PCB layout information, and software updates. Customers can acquire technical documentation and software from the Cypress Support Community website (<https://community.cypress.com/>).

**Document History Page**

Document Title: CYW20707 Bluetooth SoC for Embedded Wireless Devices				
Document Number: 002-14792				
Revision	ECN	Orig. of Change	Submission Date	Description of Change
**	-	-	04/17/2015	20707-DS100-R Initial release
*A	-	-	06/15/2015	20707-DS101-R  Updated: <ul style="list-style-type: none"> <li>• "Internal LDO".</li> <li>• Figure 3: "LDO Functional Block Diagram" (added)</li> <li>• "Collaborative Coexistence" (added)</li> <li>• "Global Coexistence Interface" (added)</li> <li>• "SECI I/O" (added)</li> <li>• Table 6: "CYW20707 49-Ball Pin List"</li> <li>• Table 8: "Power Supply Specifications"</li> <li>• Section 5. "Ordering Information"</li> <li>•</li> </ul>
*B	-	-	10/02/2015	20707-DS102-R  <b>Updated:</b> <ul style="list-style-type: none"> <li>• Table 6: "CYW20707 49-Ball Pin List"</li> </ul>
*C	-	-	03/24/2016	20707-DS103-R  Updated: Table 6: "CYW20707 49-Ball Pin List"
*D	-	-	04/07/2016	20707-DS104-R  <b>Updated:</b> <ul style="list-style-type: none"> <li>• Figure 19: "CYW20707 49-pin FBGA Package (4.5 mm x 4.0 mm)"</li> </ul>
*E	-	-	04/20/2016	20707-DS105-R  <b>Added:</b> <ul style="list-style-type: none"> <li>• 36-pin WLPGA Package (2.8mm x2.5mm) feature bullet on cover page</li> <li>• Added informative notes in "<a href="#">One-Time Programmable Memory</a>" and "<a href="#">Clock Frequencies</a>"</li> <li>• "<a href="#">36-Pin WLPGA Package</a>"</li> <li>• <a href="#">Table7. "CYW20707 49-Pin FBGA List"</a></li> <li>• <a href="#">Figure 21. "CYW20707 36-pin WLPGA Package (2.8 mm x 2.5 mm)</a></li> <li>• 36-pin WLPGA part to <a href="#">Section 5. "Ordering Information"</a></li> </ul>
*F	-	-	05/27/2016	20707-DS106-R  <b>Updated:</b> <ul style="list-style-type: none"> <li>• Cover page minor edits.</li> <li>• <a href="#">Figure 2. "Reset Timing.</a></li> <li>• <a href="#">Figure 3. "LDO Functional Block Diagram.</a></li> <li>• <a href="#">Figure 8. "CYW20707 49-Pin FBGA Ball Map.</a></li> <li>• <a href="#">Table10. "Power Supply Specifications".</a></li> <li>• <a href="#">Table11. "VDDC LDO Electrical Specifications".</a></li> <li>• Ambient operating temperatures in <a href="#">Section 5. "Ordering Information"</a> .</li> </ul> <b>Added:</b> <ul style="list-style-type: none"> <li>• "<a href="#">Link Control Layer</a>".</li> <li>• <a href="#">Table12. "BTLDO_2P5 Electrical Specifications"</a></li> </ul>
*G	5450827	LAPK	12/07/2016	Added Cypress Part Numbering Scheme and Mapping Table. Updated to Cypress template.
*H	5755272	NIBK	05/30/2017	Updated Cypress Logo and Copyright.

## Sales, Solutions, and Legal Information

### Worldwide Sales and Design Support

Cypress maintains a worldwide network of offices, solution centers, manufacturer's representatives, and distributors. To find the office closest to you, visit us at [Cypress Locations](#).

#### Products

ARM® Cortex® Microcontrollers	<a href="http://cypress.com/arm">cypress.com/arm</a>
Automotive	<a href="http://cypress.com/automotive">cypress.com/automotive</a>
Clocks & Buffers	<a href="http://cypress.com/clocks">cypress.com/clocks</a>
Interface	<a href="http://cypress.com/interface">cypress.com/interface</a>
Internet of Things	<a href="http://cypress.com/iot">cypress.com/iot</a>
Lighting & Power Control	<a href="http://cypress.com/powerpsoc">cypress.com/powerpsoc</a>
Memory	<a href="http://cypress.com/memory">cypress.com/memory</a>
PSoC	<a href="http://cypress.com/psoc">cypress.com/psoc</a>
Touch Sensing	<a href="http://cypress.com/touch">cypress.com/touch</a>
USB Controllers	<a href="http://cypress.com/usb">cypress.com/usb</a>
Wireless/RF	<a href="http://cypress.com/wireless">cypress.com/wireless</a>

#### PSoC® Solutions

[PSoC 1](#) | [PSoC 3](#) | [PSoC 4](#) | [PSoC 5LP](#) | [PSoC 6](#)

#### Cypress Developer Community

[Forums](#) | [WICED IOT Forums](#) | [Projects](#) | [Video](#) | [Blogs](#) | [Training](#) | [Components](#)

#### Technical Support

[cypress.com/support](http://cypress.com/support)

© Cypress Semiconductor Corporation, 2015-2017. This document is the property of Cypress Semiconductor Corporation and its subsidiaries, including Spansion LLC ("Cypress"). This document, including any software or firmware included or referenced in this document ("Software"), is owned by Cypress under the intellectual property laws and treaties of the United States and other countries worldwide. Cypress reserves all rights under such laws and treaties and does not, except as specifically stated in this paragraph, grant any license under its patents, copyrights, trademarks, or other intellectual property rights. If the Software is not accompanied by a license agreement and you do not otherwise have a written agreement with Cypress governing the use of the Software, then Cypress hereby grants you a personal, non-exclusive, nontransferable license (without the right to sublicense) (1) under its copyright rights in the Software (a) for Software provided in source code form, to modify and reproduce the Software solely for use with Cypress hardware products, only internally within your organization, and (b) to distribute the Software in binary code form externally to end users (either directly or indirectly through resellers and distributors), solely for use on Cypress hardware product units, and (2) under those claims of Cypress's patents that are infringed by the Software (as provided by Cypress, unmodified) to make, use, distribute, and import the Software solely for use with Cypress hardware products. Any other use, reproduction, modification, translation, or compilation of the Software is prohibited.

TO THE EXTENT PERMITTED BY APPLICABLE LAW, CYPRESS MAKES NO WARRANTY OF ANY KIND, EXPRESS OR IMPLIED, WITH REGARD TO THIS DOCUMENT OR ANY SOFTWARE OR ACCOMPANYING HARDWARE, INCLUDING, BUT NOT LIMITED TO, THE IMPLIED WARRANTIES OF MERCHANTABILITY AND FITNESS FOR A PARTICULAR PURPOSE. To the extent permitted by applicable law, Cypress reserves the right to make changes to this document without further notice. Cypress does not assume any liability arising out of the application or use of any product or circuit described in this document. Any information provided in this document, including any sample design information or programming code, is provided only for reference purposes. It is the responsibility of the user of this document to properly design, program, and test the functionality and safety of any application made of this information and any resulting product. Cypress products are not designed, intended, or authorized for use as critical components in systems designed or intended for the operation of weapons, weapons systems, nuclear installations, life-support devices or systems, other medical devices or systems (including resuscitation equipment and surgical implants), pollution control or hazardous substances management, or other uses where the failure of the device or system could cause personal injury, death, or property damage ("Unintended Uses"). A critical component is any component of a device or system whose failure to perform can be reasonably expected to cause the failure of the device or system, or to affect its safety or effectiveness. Cypress is not liable, in whole or in part, and you shall and hereby do release Cypress from any claim, damage, or other liability arising from or related to all Unintended Uses of Cypress products. You shall indemnify and hold Cypress harmless from and against all claims, costs, damages, and other liabilities, including claims for personal injury or death, arising from or related to any Unintended Uses of Cypress products.

Cypress, the Cypress logo, Spansion, the Spansion logo, and combinations thereof, WICED, PSoC, CapSense, EZ-USB, F-RAM, and Traveo are trademarks or registered trademarks of Cypress in the United States and other countries. For a more complete list of Cypress trademarks, visit [cypress.com](http://cypress.com). Other names and brands may be claimed as property of their respective owners.

## Looking for pricing, stock, or lifecycle information?

Click below to explore more details on WIN SOURCE:

 [View CYW20707UA2KFFB4G on WIN SOURCE](#)

 [Infineon Technologies](#) Information

## Optimize Your Supply Chain with WIN SOURCE Solutions

-  Global Sourcing Solution
-  Obsolete Management
-  Cost Control Management
-  Shortage Management
-  Alternative Solution
-  Excess Inventory Management