



**THE DATASHEET OF
RB855-221K-RC**



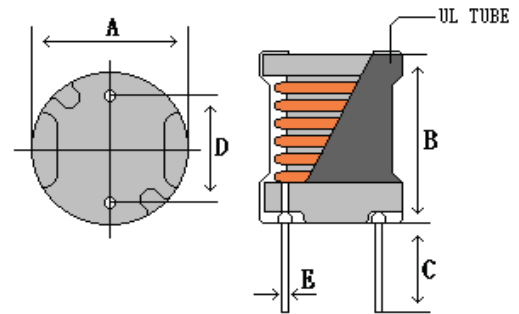


Radial Leaded RF Inductors

RB855

Dimensions: (mm)

A: 7.8 ± 0.5
 B: 5.5 Max
 C: 5.0 ± 1.0
 D: 5.0 ± 0.3
 E: $0.7 \pm 0.1 - 0.05$



Allied Part Number	Inductance (μ h)	Tolerance	Test Freq	DCR (Ohms) Max	Rated Current (mA)
RB855-100M-RC	10	20%	2.52 MHz	0.07	2500
RB855-120M-RC	12	20%	2.52 MHz	0.08	2400
RB855-150M-RC	15	20%	2.52 MHz	0.09	2100
RB855-180M-RC	18	20%	2.52 MHz	0.10	2000
RB855-220K-RC	22	10%	2.52 MHz	0.12	1700
RB855-270K-RC	27	10%	2.52 MHz	0.14	1600
RB855-330K-RC	33	10%	2.52 MHz	0.17	1400
RB855-390K-RC	39	10%	2.52 MHz	0.21	1300
RB855-470K-RC	47	10%	2.52 MHz	0.24	1200
RB855-560K-RC	56	10%	2.52 MHz	0.31	1100
RB855-680K-RC	68	10%	2.52 MHz	0.34	1000
RB855-820K-RC	82	10%	2.52MHz	0.40	930
RB855-101K-RC	100	10%	1 KHz	0.52	810
RB855-121K-RC	120	10%	1 KHz	0.59	760
RB855-151K-RC	150	10%	1 KHz	0.71	670
RB855-181K-RC	180	10%	1 KHz	0.89	620
RB855-221K-RC	220	10%	1 KHz	1.04	540
RB855-271K-RC	270	10%	1 KHz	1.28	490
RB855-331K-RC	330	10%	1 KHz	1.47	440
RB855-391K-RC	390	10%	1 KHz	1.67	410
RB855-471K-RC	470	10%	1 KHz	1.95	380
RB855-561K-RC	560	10%	1 KHz	2.83	350
RB855-681K-RC	680	10%	1 KHz	3.25	320
RB855-821K-RC	820	10%	1 KHz	3.82	310
RB855-102K-RC	1000	10%	1 KHz	5.28	250
RB855-122K-RC	1200	10%	1 KHz	6.03	230
RB855-152K-RC	1500	10%	1 KHz	7.15	210
RB855-182K-RC	1800	10%	1 KHz	8.26	200
RB855-222K-RC	2200	10%	1 KHz	11.1	180
RB855-272K-RC	2700	10%	1 KHz	13.1	160
RB855-332K-RC	3300	10%	1 KHz	15.9	140
RB855-392K-RC	3900	10%	1 KHz	18.0	130
RB855-472K-RC	4700	10%	1 KHz	23.9	120
RB855-562K-RC	5600	10%	1 KHz	26.8	110
RB855-682K-RC	6800	10%	1 KHz	31.7	98
RB855-822K-RC	8200	10%	1 KHz	46.5	88
RB855-103K-RC	10000	10%	1 KHz	55.7	81

All specifications subject to change without notice.

Features

- For R.F and other applications
- Extensive Inductance Range
- Tighter tolerance available

Electrical**Inductance Range:** -10 μ h ~ 10,000 μ h**Tolerance:** 10% over entire range.
Tighter tolerances available.**Test Frequency:** As shown**Operating Temperature:** -55°C to +125°C**DC Current:** Based on Inductance change by no more than 10% of initial value and Temperature rise of no more than 30°C of initial temperature within the coil body.

Under no circumstances should the temperature of the part increase to more than 125°C.

Test Equipment**Inductance:** CH-100 / HP4342A**DCR:** CH-301 Current Source & DCR Meter**Current:** CH-301 Current Source & DCR**Physical****Packaging:** 50 per bag**Marking:** EIA Inductance code

Looking for pricing, stock, or lifecycle information?

Click below to explore more details on WIN SOURCE:

- ⊖ [View RB855-221K-RC on WIN SOURCE](#)
- ⊖ [Allied Components International](#) Information

Optimize Your Supply Chain with WIN SOURCE Solutions

- ✓ Global Sourcing Solution
- ✓ Obsolete Management
- ✓ Cost Control Management
- ✓ Shortage Management
- ✓ Alternative Solution
- ✓ Excess Inventory Management