



**THE DATASHEET OF
AZ5013-01H**





Features

- ESD Protect for 1 Line with Uni-directional
- Provide ESD protection for the protected line to
IEC 61000-4-2 (ESD) $\pm 30\text{kV}$ (air/contact)
IEC 61000-4-4 (EFT) 80A (5/50ns)
IEC 61000-4-5 (Lightning) 4A (8/20 μs)
Cable Discharge Event (CDE)
- Ultra-small SOD-523 package saves board space
- Protect one I/O line or one power line
- Fast turn-on and Low clamping voltage
- For low operating voltage applications: 3.3V maximum
- Solid-state silicon-avalanche and active circuit triggering technology
- Green Part

Applications

- Hand Held Portable Applications
- Computer Interfaces Protection
- Microprocessors Protection
- Serial and Parallel Ports Protection
- Control Signal Lines Protection
- Power lines on PCB Protection
- Latchup Protection

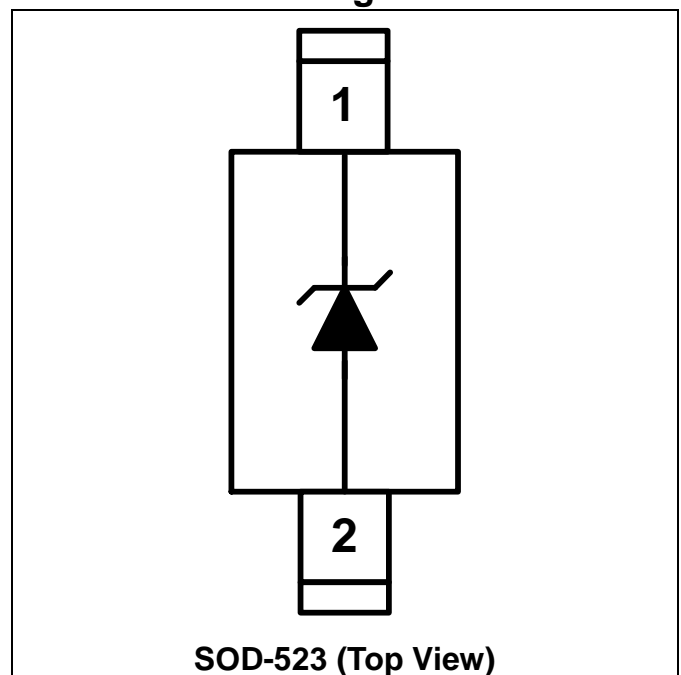
Description

AZ5013-01H is a design which includes a unidirectional surge rated clamping cell to protect one power line, or one control line, or one low speed data line in an electronic systems. The AZ5013-01H has been specifically designed to protect sensitive components which are connected to power and control lines from over-voltage damage and latch-up caused by Electrostatic Discharging (ESD), Electrical Fast Transients (EFT), Lightning, and Cable Discharge Event (CDE).

AZ5013-01H is a unique design which includes proprietary clamping cell in a single package. During transient conditions, the proprietary clamping cell prevents over-voltage on the power line or control/data lines, protecting any downstream components.

AZ5013-01H may be used to meet the ESD immunity requirements of IEC 61000-4-2, Level 4 ($\pm 15\text{kV}$ air, $\pm 8\text{kV}$ contact discharge)

Circuit Diagram / Pin Configuration





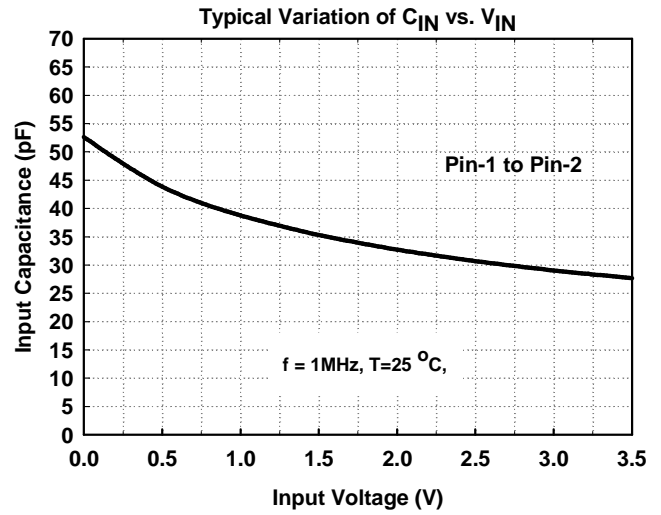
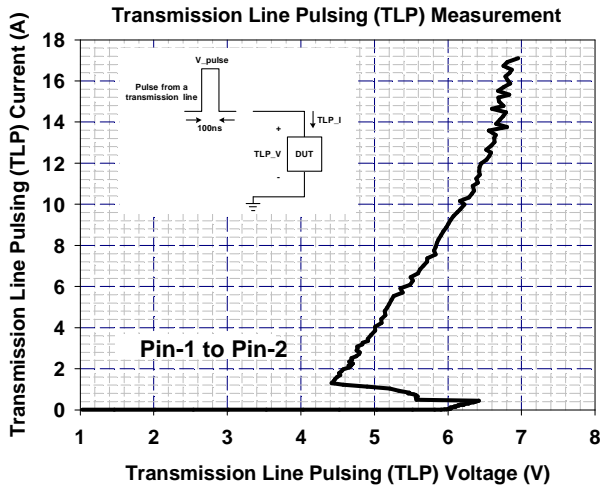
SPECIFICATIONS

ABSOLUTE MAXIMUM RATINGS			
PARAMETER	PARAMETER	RATING	UNITS
Peak Pulse Current (tp =8/20us)	I _{PP}	4	A
Operating Supply Voltage (pin-1 to pin-2)	V _{DC}	3.8	V
ESD per IEC 61000-4-2 (Air)	V _{ESD}	±30	kV
ESD per IEC 61000-4-2 (Contact)		±30	
Lead Soldering Temperature	T _{SOL}	260 (10 sec.)	°C
Operating Temperature	T _{OP}	-55 to +85	°C
Storage Temperature	T _{STO}	-55 to +150	°C

ELECTRICAL CHARACTERISTICS						
PARAMETER	SYMBOL	CONDITIONS	MINI	TYP	MAX	UNITS
Reverse Stand-Off Voltage	V _{RWM}	T=25 °C.			3.3	V
Reverse Leakage Current	I _{Leak}	V _{RWM} = 3.3V, T=25 °C.			1	μA
Reverse Breakdown Voltage	V _{BV}	I _{BV} = 1mA, T=25 °C.	4.5		6.5	V
Forward Voltage	V _F	I _F = 15mA, T=25 °C.	0.6	0.85	1	V
ESD Clamping Voltage	V _{ESD_CL}	IEC 61000-4-2 +6kV, T=25 °C, Contact mode.		7		V
Channel Input Capacitance	C _{IN}	V _R = 0V, f = 1MHz, T=25 °C		55	65	pF



Typical Characteristics





Applications Information

The AZ5013-01H is designed to protect one line against System ESD/EFT/Lightning pulses by clamping them to an acceptable reference.

The usage of the AZ5013-01H is shown in Fig. 1. Protected lines, such as data lines, control lines, or power lines, are connected at pin 1. The pin 2 should be connected directly to a ground plane on the board. All path lengths connected to the pins of AZ5013-01H should be kept as short as possible to minimize parasitic inductance in the board traces.

In order to obtain enough suppression of ESD induced transient, good circuit board is critical. Thus, the following guidelines are

recommended:

- Minimize the path length between the protected lines and the AZ5013-01H.
- Place the AZ5013-01H near the input terminals or connectors to restrict transient coupling.
- The ESD current return path to ground should be kept as short as possible.
- Use ground planes whenever possible.
- NEVER route critical signals near board edges and near the lines which the ESD transient easily injects to.

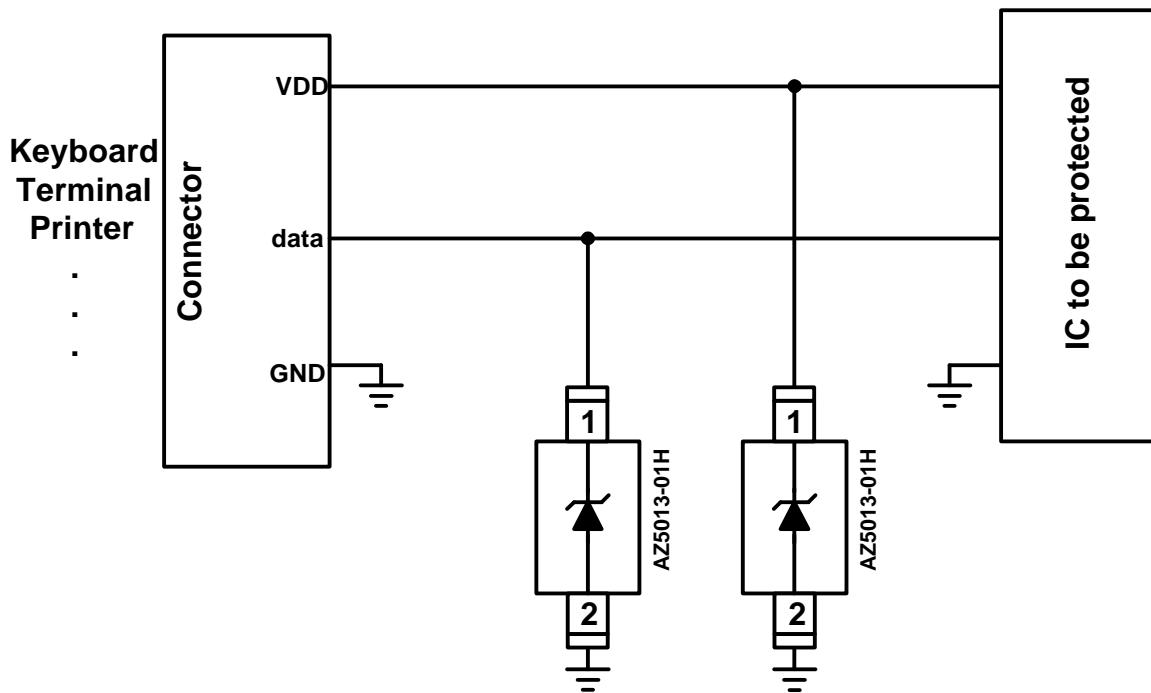


Fig. 1



Fig. 2 shows another simplified example of using AZ5013-01H to protect the control lines,

low speed data lines, and power lines from ESD transient stress.

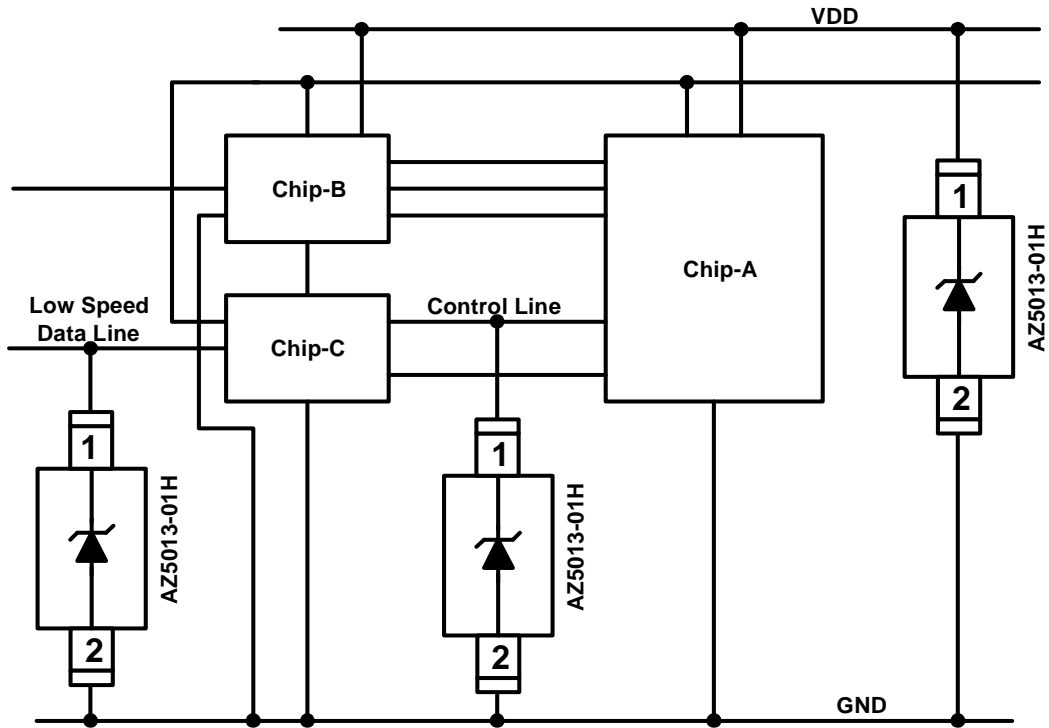


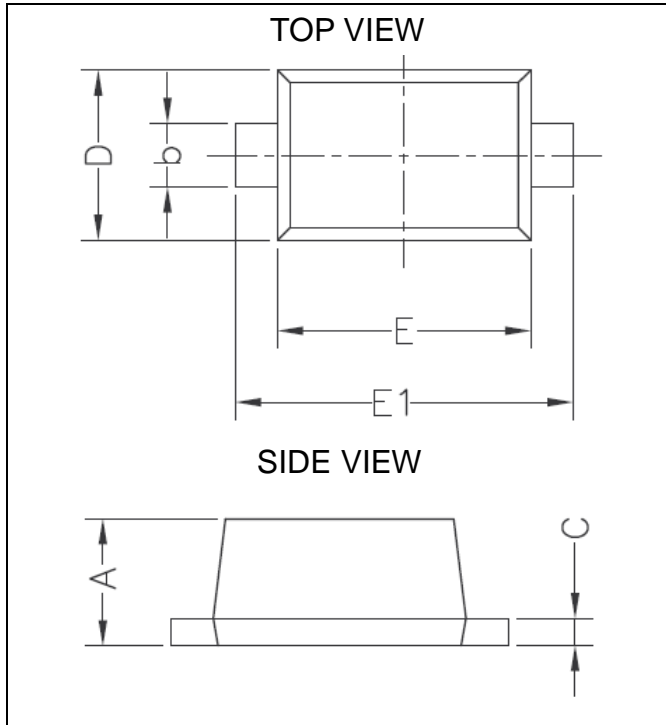
Fig. 2



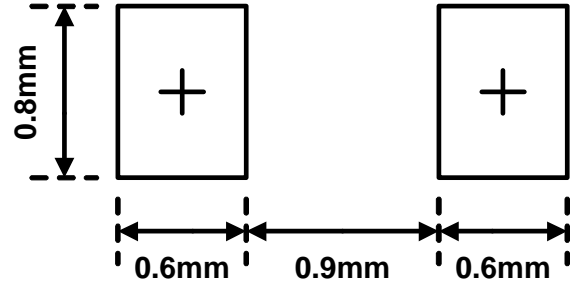
Mechanical Details

SOD-523

PACKAGE DIAGRAMS



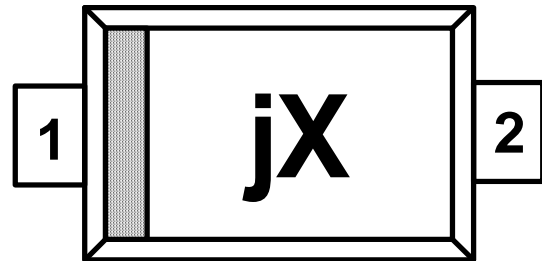
LAND LAYOUT



Notes:

This LAND LAYOUT is for reference purposes only. Please consult your manufacturing partners to ensure your company's PCB design guidelines are met.

MARKING CODE



j = Device Code
X = Date Code

PACKAGE DIMENSIONS

Symbol	Millimeters		Inches	
	MIN.	MAX.	MIN.	MAX.
A	0.5	0.77	0.020	0.030
b	0.25	0.35	0.010	0.014
C	0.08	0.2	0.003	0.008
D	0.7	0.9	0.028	0.035
E	1.1	1.3	0.043	0.051
E1	1.5	1.7	0.059	0.067

Part Number	Marking Code
AZ5013-01H	jX

Ordering Information

PN#	Material	Type	Reel size	MOQ/internal box	MOQ/carton
AZ5013-01H.R7G	Green	T/R	7 inch	4 reel=12,000/box	6 box=72,000/carton



Revision History

Revision	Modification Description
Revision 2010/02/10	Formal Release.
Revision 2010/02/17	Update the PACKAGE DIMENSIONS.
Revision 2011/07/30	1. Update the Company Logo. 2. Add the Ordering Information.

Looking for pricing, stock, or lifecycle information?

Click below to explore more details on WIN SOURCE:

 [View AZ5013-01H on WIN SOURCE](#)

 [Amazing Information](#)

Optimize Your Supply Chain with WIN SOURCE Solutions

-  Global Sourcing Solution
-  Obsolete Management
-  Cost Control Management
-  Shortage Management
-  Alternative Solution
-  Excess Inventory Management