



**THE DATASHEET OF
AX1000-FG484M**



Axcelerator Family FPGAs

Leading-Edge Performance

- 350+ MHz System Performance
- 500+ MHz Internal Performance
- High-Performance Embedded FIFOs
- 700 Mb/s LVDS Capable I/Os

Specifications

- Up to 2 Million Equivalent System Gates
- Up to 684 I/Os
- Up to 10,752 Dedicated Flip-Flops
- Up to 295 kbits Embedded SRAM/FIFO
- Manufactured on Advanced 0.15 μ m CMOS Antifuse Process Technology, 7 Layers of Metal

Features

- Single-Chip, Nonvolatile Solution
- Up to 100% Resource Utilization with 100% Pin Locking
- 1.5 V Core Voltage for Low Power
- Footprint Compatible Packaging
- Flexible, Multi-Standard I/Os:
 - 1.5 V, 1.8 V, 2.5 V, 3.3 V Mixed Voltage Operation
 - Bank-Selectable I/Os – 8 Banks per Chip
 - Single-Ended I/O Standards: LVTTTL, LVCMOS, 3.3V PCI, and 3.3 V PCI-X
 - Differential I/O Standards: LVPECL and LVDS

- Voltage-Referenced I/O Standards: GTL+, HSTL Class 1, SSTL2 Class 1 and 2, SSTL3 Class 1 and 2
- Registered I/Os
- Hot-Swap Compliant I/Os (except PCI)
- Programmable Slew Rate and Drive Strength on Outputs
- Programmable Delay and Weak Pull-Up/Pull-Down Circuits on Inputs
- Embedded Memory:
 - Variable-Aspect 4,608-bit RAM Blocks (x1, x2, x4, x9, x18, x36 Organizations Available)
 - Independent, Width-Configurable Read and Write Ports
 - Programmable Embedded FIFO Control Logic
- Segmentable Clock Resources
- Embedded Phase-Locked Loop:
 - 14-200 MHz Input Range
 - Frequency Synthesis Capabilities up to 1 GHz
- Deterministic, User-Controllable Timing
- Unique In-System Diagnostic and Debug Capability with Microsemi Silicon Explorer II
- Boundary-Scan Testing Compliant with IEEE Standard 1149.1 (JTAG)
- FuseLock™ Programming Technology Protects Against Reverse Engineering and Design Theft

Table 1 • Axcelerator Family Product Profile

Device	AX125	AX250	AX500	AX1000	AX2000
Capacity (in Equivalent System Gates)	125,000	250,000	500,000	1,000,000	2,000,000
Typical Gates	82,000	154,000	286,000	612,000	1,060,000
Modules					
Register (R-cells)	672	1,408	2,688	6,048	10,752
Combinatorial (C-cells)	1,344	2,816	5,376	12,096	21,504
Maximum Flip-Flops	1,344	2,816	5,376	12,096	21,504
Embedded RAM/FIFO					
Number of Core RAM Blocks	4	12	16	36	64
Total Bits of Core RAM	18,432	55,296	73,728	165,888	294,912
Clocks (Segmentable)					
Hardwired	4	4	4	4	4
Routed	4	4	4	4	4
PLLs	8	8	8	8	8
I/Os					
I/O Banks	8	8	8	8	8
Maximum User I/Os	168	248	336	516	684
Maximum LVDS Channels	84	124	168	258	342
Total I/O Registers	504	744	1,008	1,548	2,052
Package					
PQ		208	208		
BG				729	
FG	256, 324	256, 484	484, 676	484, 676, 896	896, 1152
CQ		208, 352	208, 352	352	256, 352
CG				624	624

Ordering Information



Device Resources

User I/Os (Including Clock Buffers)					
Package	AX125	AX250	AX500	AX1000	AX2000
PQ208	–	115	115	–	–
CQ208	–	115	115	–	–
CQ256	–	–	–	–	136
FG256	138	138	–	–	–
FG324	168	–	–	–	–
CQ352	–	198	198	198	198
FG484	–	248	317	317	–
CG624	–	–	–	418	418
FG676	–	–	336	418	–
BG729	–	–	–	516	–
FG896	–	–	–	516	586
FG1152	–	–	–	–	684

Note: The FG256, FG324, and FG484 are footprint compatible with one another. The FG676, FG896, and FG1152 are also footprint compatible with one another.

Axcelerator Family Device Status

Axcelerator® Devices	Status
AX125	Production
AX250	Production
AX500	Production
AX1000	Production
AX2000	Production

Temperature Grade Offerings

Package	AX125	AX250	AX500	AX1000	AX2000
PQ208	–	C, I, M	C, I, M	–	–
CQ208	–	M	M	–	–
CQ256	–	–	–	–	M
FG256	C, I	C, I, M	–	–	–
FG324	C, I	–	–	–	–
CQ352	–	M	M	M	M
FG484	–	C, I, M	C, I, M	C, I, M	–
CG624	–	–	–	M	M
FG676	–	–	C, I, M	C, I, M	–
BG729	–	–	–	C, I, M	–
FG896	–	–	–	C, I, M	C, I, M
FG1152	–	–	–	–	C, I, M

C = Commercial

I = Industrial

M = Military

Speed Grade and Temperature Grade Matrix

Temperature Grade	Std	–1	–2
C	✓	✓	✓
I	✓	✓	✓
M	✓	✓	–

C = Commercial

I = Industrial

M = Military

Packaging Data

Refer to the following documents located on the Microsemi SoC Products Group website for additional packaging information.

[Package Mechanical Drawings](#)

[Package Thermal Characteristics and Weights](#)

[Hermetic Package Mechanical Information](#)

Contact your local Microsemi representative for device availability.

Table of Contents

General Description

Device Architecture	1-1
Design Environment	1-7
Summary	1-8
Related Documents	1-8

Detailed Specifications

Operating Conditions	2-1
Thermal Characteristics	2-6
I/O Specifications	2-9
Voltage-Referenced I/O Standards	2-43
Differential Standards	2-50
Module Specifications	2-54
Routing Specifications	2-61
Global Resources	2-66
Axcelerator Clock Management System	2-75
Embedded Memory	2-86
Other Architectural Features	2-106
Programming	2-110

Package Pin Assignments

BG729	3-1
FG256	3-9
FG324	3-16
FG484	3-21
FG676	3-37
FG896	3-52
FG1152	3-71
PQ208	3-84
CQ208	3-89
CQ256	3-94
CQ352	3-98
CG624	3-115

Datasheet Information

List of Changes	4-1
Datasheet Categories	4-7
Safety Critical, Life Support, and High-Reliability Applications Policy	4-7

1 – General Description

Axcelerator devices offer high performance at densities of up to two million equivalent system gates. Based upon the Microsemi AX architecture, Axcelerator has several system-level features such as embedded SRAM (with complete FIFO control logic), PLLs, segmentable clocks, chip-wide highway routing, and carry logic.

Device Architecture

AX architecture, derived from the highly-successful SX-A sea-of-modules architecture, has been designed for high performance and total logic module utilization (Figure 1-1). Unlike in traditional FPGAs, the entire floor of the Axcelerator device is covered with a grid of logic modules, with virtually no chip area lost to interconnect elements or routing.

Programmable Interconnect Element

The Axcelerator family uses a patented metal-to-metal antifuse programmable interconnect element that resides between the upper two layers of metal (Figure 1-2 on page 1-2). This completely eliminates the channels of routing and interconnect resources between logic modules (as implemented on traditional FPGAs) and enables the efficient sea-of-modules architecture. The antifuses are normally open circuit and, when programmed, form a permanent, passive, low-impedance connection, leading to the fastest signal propagation in the industry. In addition, the extremely small size of these interconnect elements gives the Axcelerator family abundant routing resources.

The very nature of Microsemi's nonvolatile antifuse technology provides excellent protection against design pirating and cloning (FuseLock technology). Typical cloning attempts are impossible (even if the security fuse is left unprogrammed) as no bitstream or programming file is ever downloaded or stored in the device. Reverse engineering is virtually impossible due to the difficulty of trying to distinguish between programmed and unprogrammed antifuses and also due to the programming methodology of antifuse devices (see "Security" on page 2-108).



Figure 1-1 • Sea-of-Modules Comparison



Figure 1-2 • Accelerator Family Interconnect Elements

Logic Modules

Microsemi's Axcelerator family provides two types of logic modules: the register cell (R-cell) and the combinatorial cell (C-cell). The Axcelerator device can implement more than 4,000 combinatorial functions of up to five inputs (Figure 1-3).

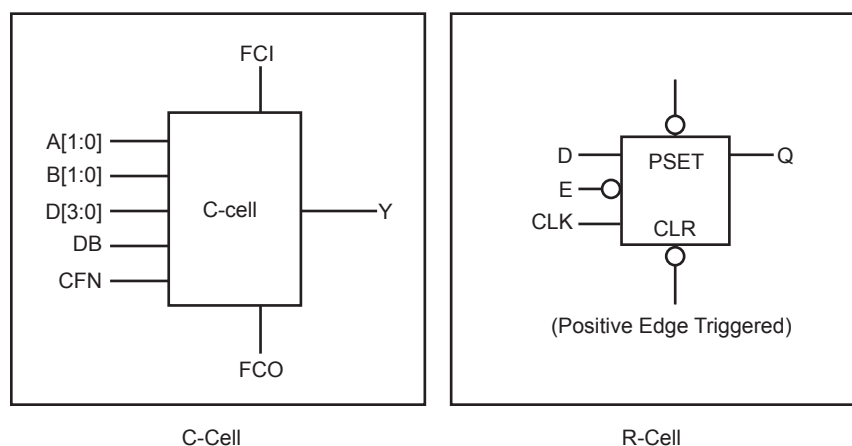


Figure 1-3 • AX C-Cell and R-Cell

The R-cell contains a flip-flop featuring asynchronous clear, asynchronous preset, and active-low enable control signals (Figure 1-3). The R-cell registers feature programmable clock polarity selectable on a register-by-register basis. This provides additional flexibility (e.g., easy mapping of dual-data-rate functions into the FPGA) while conserving valuable clock resources. The clock source for the R-cell can be chosen from the hardwired clocks, routed clocks, or internal logic.

Two C-cells, a single R-cell, two Transmit (TX), and two Receive (RX) routing buffers form a Cluster, while two Clusters comprise a SuperCluster (Figure 1-4). Each SuperCluster also contains an independent Buffer (B) module, which supports buffer insertion on high-fanout nets by the place-and-route tool, minimizing system delays while improving logic utilization.



Figure 1-4 • AX SuperCluster

The logic modules within the SuperCluster are arranged so that two combinatorial modules are side-by-side, giving a C–C–R – C–C–R pattern to the SuperCluster. This C–C–R pattern enables efficient implementation (minimum delay) of two-bit carry logic for improved arithmetic performance (Figure 1-5 on page 1-3).



Figure 1-5 • AX 2-Bit Carry Logic

The AX architecture is fully fracturable, meaning that if one or more of the logic modules in a SuperCluster are used by a particular signal path, the other logic modules are still available for use by other paths.

At the chip level, SuperClusters are organized into core tiles, which are arrayed to build up the full chip. For example, the AX1000 is composed of a 3x3 array of nine core tiles. Surrounding the array of core tiles are blocks of I/O Clusters and the I/O bank ring (Table 1-1). Each core tile consists of an array of 336 SuperClusters and four SRAM blocks (176 SuperClusters and three SRAM blocks for the AX250).

Table 1-1 • Number of Core Tiles per Device

Device	Number of Core Tiles
AX125	1 regular tile
AX250	4 smaller tiles
AX500	4 regular tiles
AX1000	9 regular tiles
AX2000	16 regular tiles

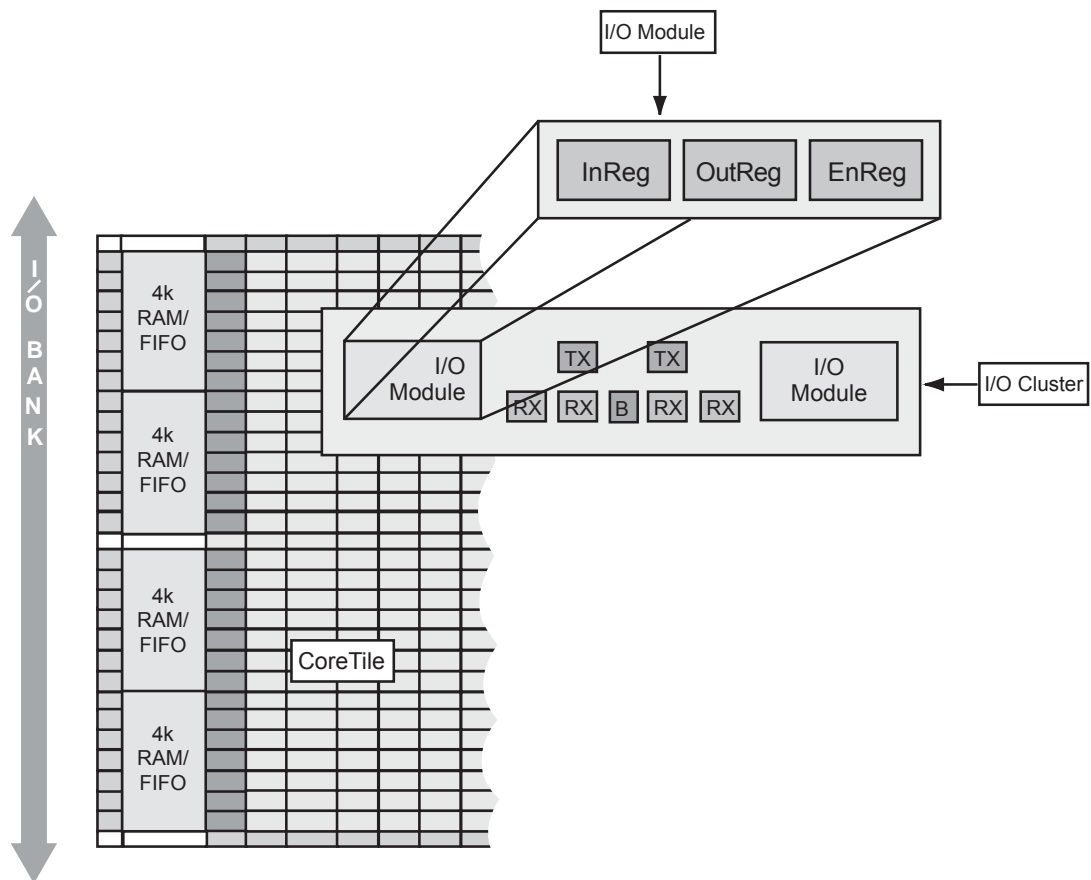


Figure 1-7 • I/O Cluster Arrangement

Routing

The AX hierarchical routing structure ties the logic modules, the embedded memory blocks, and the I/O modules together (Figure 1-8 on page 1-6). At the lowest level, in and between SuperClusters, there are three local routing structures: FastConnect, DirectConnect, and CarryConnect routing. DirectConnects provide the highest performance routing inside the SuperClusters by connecting a C-cell to the adjacent R-cell. DirectConnects do not require an antifuse to make the connection and achieve a signal propagation time of less than 0.1 ns.

FastConnects provide high-performance, horizontal routing inside the SuperCluster and vertical routing to the SuperCluster immediately below it. Only one programmable connection is used in a FastConnect path, delivering a maximum routing delay of 0.4 ns.

CarryConnects are used for routing carry logic between adjacent SuperClusters. They connect the FCO output of one two-bit, C-cell carry logic to the FCI input of the two-bit, C-cell carry logic of the SuperCluster below it. CarryConnects do not require an antifuse to make the connection and achieve a signal propagation time of less than 0.1 ns.

The next level contains the core tile routing. Over the SuperClusters within a core tile, both vertical and horizontal tracks run across rows or columns, respectively. At the chip level, vertical and horizontal tracks extend across the full length of the device, both north-to-south and east-to-west. These tracks are composed of highway routing that extend the entire length of the device (segmented at core tile boundaries) as well as segmented routing of varying lengths.



Figure 1-8 • AX Routing Structures

Global Resources

Each family member has three types of global signals available to the designer: HCLK, CLK, and GCLR/GPSET. There are four hardwired clocks (HCLK) per device that can directly drive the clock input of each R-cell. Each of the four routed clocks (CLK) can drive the clock, clear, preset, or enable pin of an R-cell or any input of a C-cell (Figure 1-3 on page 1-2).

Global clear (GCLR) and global preset (GPSET) drive the clear and preset inputs of each R-cell as well as each I/O Register on a chip-wide basis at power-up.

Each HCLK and CLK has an associated analog PLL (a total of eight per chip). Each embedded PLL can be used for clock delay minimization, clock delay adjustment, or clock frequency synthesis. The PLL is capable of operating with input frequencies ranging from 14 MHz to 200 MHz and can generate output frequencies between 20 MHz and 1 GHz. The clock can be either divided or multiplied by factors ranging from 1 to 64. Additionally, multiply and divide settings can be used in any combination as long as the resulting clock frequency is between 20 MHz and 1 GHz. Adjacent PLLs can be cascaded to create complex frequency combinations.

The PLL can be used to introduce either a positive or a negative clock delay of up to 3.75 ns in 250 ps increments. The reference clock required to drive the PLL can be derived from three sources: external input pad (either single-ended or differential), internal logic, or the output of an adjacent PLL.

Low Power (LP) Mode

The AX architecture was created for high-performance designs but also includes a low power mode (activated via the LP pin). When the low power mode is activated, I/O banks can be disabled (inputs disabled, outputs tristated), and PLLs can be placed in a power-down mode. All internal register states are maintained in this mode. Furthermore, individual I/O banks can be configured to opt out of the LP mode, thereby giving the designer access to critical signals while the rest of the chip is in low power mode.

The power can be further reduced by providing an external voltage source (V_{PUMP}) to the device to bypass the internal charge pump (See "Low Power Mode" on page 2-106 for more information).

Design Environment

The Axcelerator family of FPGAs is fully supported by both Microsemi's Libero[®] Integrated Design Environment and Designer FPGA Development software. Libero IDE is an integrated design manager that seamlessly integrates design tools while guiding the user through the design flow, managing all design and log files, and passing necessary design data among tools. Additionally, Libero IDE allows users to integrate both schematic and HDL synthesis into a single flow and verify the entire design in a single environment (see the [Libero IDE Flow](#) diagram located on the Microsemi SoC Products Group website). Libero IDE includes Synplify[®] Actel Edition (AE) from Synplicity[®], ViewDraw[®] AE from Mentor Graphics[®], ModelSim[®] HDL Simulator from Mentor Graphics, WaveFormer Lite[™] AE from SynaptiCAD[®], and Designer software from Microsemi.

Designer software is a place-and-route tool and provides a comprehensive suite of backend support tools for FPGA development. The Designer software includes the following:

- Timer – a world-class integrated static timing analyzer and constraints editor which support timing-driven place-and-route
- NetlistViewer – a design netlist schematic viewer
- ChipPlanner – a graphical floorplanner viewer and editor
- SmartPower – allows the designer to quickly estimate the power consumption of a design
- PinEditor – a graphical application for editing pin assignments and I/O attributes
- I/O Attribute Editor – displays all assigned and unassigned I/O macros and their attributes in a spreadsheet format

With the Designer software, a user can lock the design pins before layout while minimally impacting the results of place-and-route. Additionally, Microsemi's back-annotation flow is compatible with all the major simulators and the simulation results can be cross-probed with Silicon Explorer II, Microsemi's integrated verification and logic analysis tool. Another tool included in the Designer software is the SmartGen core generator, which easily creates popular and commonly used logic functions for implementation into your schematic or HDL design.

Designer software is compatible with the most popular FPGA design entry and verification tools from EDA vendors, such as Mentor Graphics, Synplicity, Synopsys, and Cadence Design Systems. The Designer software is available for both the Windows and UNIX operating systems.

Programming

Programming support is provided through Silicon Sculptor II, a single-site programmer driven via a PC-based GUI. In addition, BP Microsystems offers multi-site programmers that provide qualified support for Microsemi devices. Factory programming is available for high-volume production needs.

In-System Diagnostic and Debug Capabilities

The Axcelerator family of FPGAs includes internal probe circuitry, allowing the designer to dynamically observe and analyze any signal inside the FPGA without disturbing normal device operation ([Figure 1-9](#)).

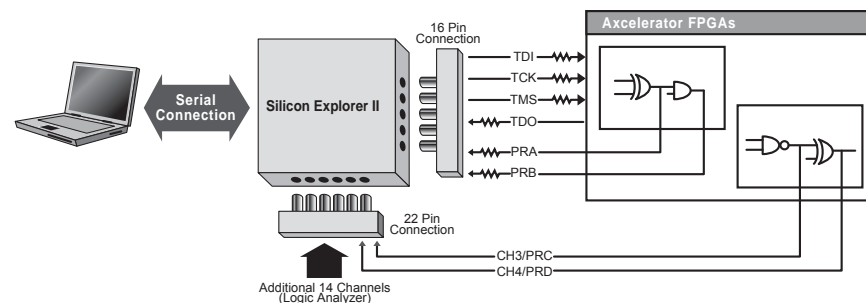


Figure 1-9 • Probe Setup

Up to four individual signals can be brought out to dedicated probe pins (PRA/B/C/D) on the device. The probe circuitry is accessed and controlled via Silicon Explorer II, Microsemi's integrated verification and logic analysis tool that attaches to the serial port of a PC and communicates with the FPGA via the JTAG port (See "Silicon Explorer II Probe Interface" on page 2-109).

Summary

Microsemi's Axcelerator family of FPGAs extends the successful SX-A architecture, adding embedded RAM/FIFOs, PLLs, and high-speed I/Os. With the support of a suite of robust software tools, design engineers can incorporate high gate counts and fixed pins into an Axcelerator design yet still achieve high performance and efficient device utilization.

Related Documents

Application Notes

Simultaneous Switching Noise and Signal Integrity

http://www.microsemi.com/soc/documents/SSN_AN.pdf

Axcelerator Family PLL and Clock Management

http://www.microsemi.com/soc/documents/AX_PLL_AN.pdf

Implementation of Security in Actel Antifuse FPGAs

http://www.microsemi.com/soc/documents/Antifuse_Security_AN.pdf

User's Guides and Manuals

Antifuse Macro Library Guide

http://www.microsemi.com/soc/documents/libguide_UG.pdf

SmartGen, FlashROM, Analog System Builder, and Flash Memory System Builder

http://www.microsemi.com/soc/documents/genguide_ug.pdf

Silicon Sculptor II User's Guide

http://www.microsemi.com/soc/documents/silisculptII_sculpt3_ug.pdf

White Paper

Design Security in Nonvolatile Flash and Antifuse FPGAs

http://www.microsemi.com/soc/documents/DesignSecurity_WP.pdf

Understanding Actel Antifuse Device Security

http://www.microsemi.com/soc/documents/DesignSecurity_WP.pdf

Miscellaneous

Libero IDE flow diagram

<http://www.microsemi.com/soc/products/tools/libero/flow.html>

2 – Detailed Specifications

Operating Conditions

Table 2-1 lists the absolute maximum ratings of Axcelerator devices. Stresses beyond the ratings may cause permanent damage to the device. Exposure to Absolute Maximum rated conditions for extended periods may affect device reliability. Devices should not be operated outside the recommendations in Table 2-2.

Table 2-1 • Absolute Maximum Ratings

Symbol	Parameter	Limits	Units
VCCA	DC Core Supply Voltage	–0.3 to 1.7	V
VCCI	DC I/O Supply Voltage	–0.3 to 3.75	V
VREF	DC I/O Reference Voltage	–0.3 to 3.75	V
VI	Input Voltage	–0.5 to 4.1	V
VO	Output Voltage	–0.5 to 3.75	V
TSTG	Storage Temperature	–60 to +150	°C
VCCDA*	Supply Voltage for Differential I/Os	–0.3 to 3.75	V

Note: * Should be the maximum of all VCCI.

Table 2-2 • Recommended Operating Conditions

Parameter Range	Commercial	Industrial	Military	Units
Ambient Temperature (T_A) ¹	0 to +70	–40 to +85	–55 to +125	°C
1.5 V Core Supply Voltage	1.425 to 1.575	1.425 to 1.575	1.425 to 1.575	V
1.5 V I/O Supply Voltage	1.425 to 1.575	1.425 to 1.575	1.425 to 1.575	V
1.8 V I/O Supply Voltage	1.71 to 1.89	1.71 to 1.89	1.71 to 1.89	V
2.5 V I/O Supply Voltage	2.375 to 2.625	2.375 to 2.625	2.375 to 2.625	V
3.3 V I/O Supply Voltage	3.0 to 3.6	3.0 to 3.6	3.0 to 3.6	V
VCCDA Supply Voltage	3.0 to 3.6	3.0 to 3.6	3.0 to 3.6	V
VPUMP Supply Voltage	3.0 to 3.6	3.0 to 3.6	3.0 to 3.6	V

Notes:

1. Ambient temperature (T_A) is used for commercial and industrial grades; case temperature (T_C) is used for military grades.
2. $T_J \text{ max} = 125^\circ\text{C}$

Power-Up/Down Sequence

All Axcelerator I/Os are tristated during power-up until normal device operating conditions are reached, when I/Os enter user mode. VCCDA should be powered up before (or coincidentally with) VCCA and VCCI to ensure the behavior of user I/Os at system start-up. Conversely, VCCDA should be powered down after (or coincidentally with) VCCA and VCCI. Note that VCCI and VCCA can be powered up in any sequence with respect to each other, provided the requirement with respect to VCCDA is satisfied.

Calculating Power Dissipation

Table 2-3 • Standby Current

Device	Temperature	ICCA	ICCD A	ICCBANK		ICCP LL	ICCCP ¹		IIH, IIL, IOZ ²	Units
		Standby Current (Core)	Standby Current, Differential I/O	Standby Current per I/O Bank		Standby Current per PLL	Standby Current, Charge Pump			
				2.5 V VCCI	3.3 V VCCI		Active	Bypassed Mode		
AX125	Typical at 25°C	1.5	1.5	0.2	0.3	0.2	0.3	0.01	±0.01	mA
	70°C	15	6	0.5	0.75	1	0.4	0.01	±0.01	mA
	85°C	25	6	0.6	0.8	1	0.4	0.2	±0.01	mA
	125°C	50	8	1	1.5	2	0.4	0.5	±0.01	mA
AX250	Typical at 25°C	1.5	1.4	0.25	0.4	0.2	0.3	0.01	±0.01	mA
	70°C	30	7	0.8	0.9	1	0.4	0.01	±0.01	mA
	85°C	40	7	0.8	1	1	0.4	0.2	±0.01	mA
	125°C	70	9	1.3	1.8	2	0.4	0.5	±0.01	mA
AX500	Typical at 25°C	5	1.4	0.4	0.75	0.2	0.3	0.01	±0.01	mA
	70°C	60	7	1	1.5	1	0.4	0.01	±0.01	mA
	85°C	80	7	1	1.9	1	0.4	0.2	±0.01	mA
	125°C	180	9	1.75	2.5	1.5	0.4	0.5	±0.01	mA
AX1000	Typical at 25°C	7.5	1.5	0.5	1.25	0.2	0.3	0.01	±0.01	mA
	70°C	80	8	1.5	3	1	0.4	0.01	±0.01	mA
	85°C	120	8	1.5	3.4	1	0.4	0.2	±0.01	mA
	125°C	200	10	3	4	1.5	0.4	0.5	±0.01	mA
AX2000	Typical at 25°C	20	1.6	0.7	1.5	0.2	0.3	0.01	±0.01	mA
	70°C	160	10	2	7	1	0.4	0.01	±0.01	mA
	85°C	200	10	3	8	1	0.4	0.2	±0.01	mA
	125°C	500	15	4	10	1.5	0.4	0.5	±0.01	mA

Notes:

1. ICCCP Active is the ICCDA or the Internal Charge Pump current. ICCCP Bypassed mode is the External Charge Pump current IIH (VPUMP pin).
2. IIH, IIL, or IOZ values are measured with inputs at the same level as VCCI for IIH and GND for IIL and IOZ.

Table 2-4 • Default CLOAD/VCCI

	C _{LOAD} (pF)	VCCI (V)	PLOAD (mw/MHz)	P10 (mw/MHz)	PI/O (mW/MHz)*
Single-Ended without VREF					
LVTTTL 24 mA High Slew	35	3.3	381.2	267.5	648.7
LVTTTL 16 mA High Slew	35	3.3	381.2	225.1	606.3
LVTTTL 12 mA High Slew	35	3.3	381.2	165.9	547.1
LVTTTL 8 mA High Slew	35	3.3	381.2	130.3	511.5
LVTTTL 24 mA Low Slew	35	3.3	381.2	169.2	550.4
LVTTTL 16 mA Low Slew	35	3.3	381.2	150.8	532.0
LVTTTL 12 mA Low Slew	35	3.3	381.2	138.6	519.8
LVTTTL 8 mA Low Slew	35	3.3	381.2	118.7	499.9
LVC MOS – 25	35	2.5	218.8	148.0	366.8
LVC MOS – 18	35	1.8	113.4	73.4	186.8
LVC MOS – 15 (JESD8-11)	35	1.5	78.8	49.5	128.3
PCI	10	3.3	108.9	218.5	327.4
PCI-X	10	3.3	108.9	162.9	271.8
Single-Ended with VREF					
HSTL-I	20	1.5	–	40.9	40.9
SSTL2-I	30	2.5	–	171.2	171.2
SSTL2-II	30	2.5	–	147.8	147.8
SSTL3-I	30	3.3	–	327.2	327.2
SSTL3-II	30	3.3	–	288.4	288.4
GTLP – 25	10	2.5	–	61.5	61.5
GTLP – 33	10	3.3	–	68.5	68.5
Differential					
LVPECL – 33	N/A	3.3	–	260.6	260.6
LVDS – 25	N/A	2.5	–	145.8	145.8

Note: $*P_{I/O} = P10 + C_{LOAD} * VCC_I^2$

Table 2-5 • Different Components Contributing to the Total Power Consumption in Accelerator Devices

Component	Definition	Device Specific Value (in $\mu\text{W}/\text{MHz}$)				
		AX125	AX250	AX500	AX1000	AX2000
P1	Core tile HCLK power component	33	49	71	130	216
P2	R-cell power component	0.2	0.2	0.2	0.2	0.2
P3	HCLK signal power dissipation	4.5	4.5	9	13.5	18
P4	Core tile RCLK power component	33	49	71	130	216
P5	R-cell power component	0.3	0.3	0.3	0.3	0.3
P6	RCLK signal power dissipation	6.5	6.5	13	19.5	26
P7	Power dissipation due to the switching activity on the R-cell	1.6	1.6	1.6	1.6	1.6
P8	Power dissipation due to the switching activity on the C-cell	1.4	1.4	1.4	1.4	1.4
P9	Power component associated with the input voltage	10	10	10	10	10
P10	Power component associated with the output voltage	See table Per pin contribution				
P11	Power component associated with the read operation in the RAM block	25	25	25	25	25
P12	Power component associated with the write operation in the RAM block	30	30	30	30	30
P13	Core PLL power component	1.5	1.5	1.5	1.5	1.5

$$P_{total} = P_{dc} + P_{ac}$$

$$P_{dc} = ICCA * VCCA$$

$$P_{ac} = P_{HCLK} + P_{CLK} + P_{R-cells} + P_{C-cells} + P_{inputs} + P_{outputs} + P_{memory} + P_{PLL}$$

$$P_{HCLK} = (P1 + P2 * s + P3 * \sqrt{s}) * Fs$$

s = the number of R-cells clocked by this clock

Fs = the clock frequency

$$P_{CLK} = (P4 + P5 * s + P6 * \sqrt{s}) * Fs$$

s = the number of R-cells clocked by this clock

Fs = the clock frequency

$$P_{R-cells} = P7 * ms * Fs$$

ms = the number of R-cells switching at each Fs cycle

Fs = the clock frequency

$$P_{C-cells} = P8 * mc * Fs$$

mc = the number of C-cells switching at each Fs cycle

Fs = the clock frequency

$$P_{inputs} = P9 * pi * Fpi$$

pi = the number of inputs

F_{pi} = the average input frequency

$$P_{\text{outputs}} = P_{\text{I/O}} * p_o * F_{p_o}$$

C_{load} = the output load (technology dependent)
 V_{CCI} = the output voltage (technology dependent)
 p_o = the number of outputs
 F_{p_o} = the average output frequency

$$P_{\text{memory}} = P_{11} * N_{\text{block}} * FR_{\text{CLK}} + P_{12} * N_{\text{block}} * FW_{\text{CLK}}$$

N_{block} = the number of RAM/FIFO blocks (1 block = 4k)
 F_{RCLK} = the read-clock frequency of the memory
 F_{WCLK} = the write-clock frequency of the memory

$$P_{\text{PLL}} = P_{13} * F_{\text{CLK}}$$

F_{RefCLK} = the clock frequency of the clock input of the PLL
 F_{CLK} = the clock frequency of the first clock output of the PLL

Power Estimation Example

This example employs an AX1000 shift-register design with 1,080 R-cells, one C-cell, one reset input, and one LVTTTL 12 mA output, with high slew.

This design uses one HCLK at 100 MHz.

m_s = 1,080 (in a shift register - 100% of R-cells are toggling at each clock cycle)

F_s = 100 MHz

s = 1080

=> $P_{\text{HCLK}} = (P_1 + P_2 * s + P_3 * \text{sqrt}[s]) * F_s = 79 \text{ mW}$
and $F_s = 100 \text{ MHz}$

=> $P_{\text{R-cells}} = P_7 * m_s * F_s = 173 \text{ mW}$

m_c = 1 (1 C-cell in this shift-register)
and $F_s = 100 \text{ MHz}$

=> $P_{\text{C-cells}} = P_8 * m_c * F_s = 0.14 \text{ mW}$

$F_{p_i} \sim 0 \text{ MHz}$

and $p_i = 1$ (1 reset input => this is why $F_{p_i} = 0$)

=> $P_{\text{inputs}} = P_9 * p_i * F_{p_i} = 0 \text{ mW}$

$F_{p_o} = 50 \text{ MHz}$

and $p_o = 1$

=> $P_{\text{outputs}} = P_{\text{I/O}} * p_o * F_{p_o} = 27.10 \text{ mW}$

No RAM/FIFO in this shift-register

=> $P_{\text{memory}} = 0 \text{ mW}$

No PLL in this shift-register

=> $P_{\text{PLL}} = 0 \text{ mW}$

$P_{\text{ac}} = P_{\text{HCLK}} + P_{\text{CLK}} + P_{\text{R-cells}} + P_{\text{C-cells}} + P_{\text{inputs}} + P_{\text{outputs}} + P_{\text{memory}} + P_{\text{PLL}} = 276 \text{ mW}$

$P_{\text{dc}} = 7.5\text{mA} * 1.5\text{V} = 11.25 \text{ mW}$

$P_{\text{total}} = P_{\text{dc}} + P_{\text{ac}} = 11.25 \text{ mW} + 276\text{mW} = 290.30 \text{ mW}$

Thermal Characteristics

Introduction

The temperature variable in Microsemi's Designer software refers to the junction temperature, not the ambient temperature. This is an important distinction because dynamic and static power consumption cause the chip junction temperature to be higher than the ambient temperature. [EQ 1](#) can be used to calculate junction temperature.

$$T_J = \text{Junction Temperature} = \Delta T + T_a \quad \text{EQ 1}$$

Where:

T_a = Ambient Temperature

ΔT = Temperature gradient between junction (silicon) and ambient

$$\Delta T = \theta_{ja} * P \quad \text{EQ 2}$$

Where:

P = Power

θ_{ja} = Junction to ambient of package. θ_{ja} numbers are located under [Table 2-6 on page 2-7](#).

Package Thermal Characteristics

The device junction-to-case thermal characteristic is θ_{jc} , and the junction-to-ambient air characteristic is θ_{ja} . The thermal characteristics for θ_{ja} are shown with two different air flow rates. θ_{jc} values are provided for reference. The absolute maximum junction temperature is 125°C.

The maximum power dissipation allowed for commercial- and industrial-grade devices is a function of θ_{ja} . A sample calculation of the absolute maximum power dissipation allowed for an 896-pin FBGA package at commercial temperature and still air is as follows:

$$\text{Maximum Power Allowed} = \frac{\text{Max. junction temp. (}^\circ\text{C)} - \text{Max. ambient temp. (}^\circ\text{C)}}{\theta_{ja}(\text{}^\circ\text{C/W)}} = \frac{125^\circ\text{C} - 70^\circ\text{C}}{13.6^\circ\text{C/W}} = 4.04 \text{ W}$$

The maximum power dissipation allowed for Military temperature and Mil-Std 883B devices is specified as a function of θ_{jc} .

Table 2-6 • Package Thermal Characteristics

Package Type	Pin Count	θ_{jc}	θ_{ja} Still Air	θ_{ja} 1.0m/s	θ_{ja} 2.5m/s	Units
Chip Scale Package (CSP)	180	N/A	57.8	51.0	50	°C/W
Plastic Quad Flat Pack (PQFP)	208	8.0	26	23.5	20.9	°C/W
Plastic Ball Grid Array (PBGA)	729	2.2	13.7	10.6	9.6	°C/W
Fine Pitch Ball Grid Array (FBGA)	256	3.0	26.6	22.8	21.5	°C/W
Fine Pitch Ball Grid Array (FBGA)	324	3.0	25.8	22.1	20.9	°C/W
Fine Pitch Ball Grid Array (FBGA)	484	3.2	20.5	17.0	15.9	°C/W
Fine Pitch Ball Grid Array (FBGA)	676	3.2	16.4	13.0	12.0	°C/W
Fine Pitch Ball Grid Array (FBGA)	896	2.4	13.6	10.4	9.4	°C/W
Fine Pitch Ball Grid Array (FBGA)	1152	1.8	12.0	8.9	7.9	°C/W
Ceramic Quad Flat Pack (CQFP) ¹	208	2.0	22	19.8	18.0	°C/W
Ceramic Quad Flat Pack (CQFP) ¹	352	2.0	17.9	16.1	14.7	°C/W
Ceramic Column Grid Array (CCGA) ²	624	6.5	8.9	8.5	8	°C/W

Notes:

- θ_{jc} for the 208-pin and 352-pin CQFP refers to the thermal resistance between the junction and the bottom of the package.
- θ_{jc} for the 624-pin CCGA refers to the thermal resistance between the junction and the top surface of the package. Thermal resistance from junction to board (θ_{jb}) for CCGA 624 package is 3.4°C/W.

Timing Characteristics

Axcelerator devices are manufactured in a CMOS process, therefore, device performance varies according to temperature, voltage, and process variations. Minimum timing parameters reflect maximum operating voltage, minimum operating temperature, and best-case processing. Maximum timing parameters reflect minimum operating voltage, maximum operating temperature, and worst-case processing. The derating factors shown in Table 2-7 should be applied to all timing data contained within this datasheet.

**Table 2-7 • Temperature and Voltage Timing Derating Factors
(Normalized to Worst-Case Commercial, $T_J = 70^\circ\text{C}$, $V_{CCA} = 1.425\text{V}$)**

VCCA	Junction Temperature						
	-55°C	-40°C	0°C	25°C	70°C	85°C	125°C
1.4 V	0.83	0.86	0.91	0.96	1.02	1.05	1.15
1.425 V	0.82	0.84	0.90	0.94	1.00	1.04	1.13
1.5 V	0.78	0.80	0.85	0.89	0.95	0.98	1.07
1.575 V	0.74	0.76	0.81	0.85	0.90	0.94	1.02
1.6 V	0.73	0.75	0.80	0.84	0.89	0.92	1.01

Notes:

- The user can set the junction temperature in Designer software to be any integer value in the range of -55°C to 175°C.
- The user can set the core voltage in Designer software to be any value between 1.4V and 1.6V.

All timing numbers listed in this datasheet represent sample timing characteristics of Axcelerator devices. Actual timing delay values are design-specific and can be derived from the Timer tool in Microsemi's Designer software after place-and-route.

Timing Model



Note: Worst case timing data for the AX1000, -2 speed grade

Figure 2-1 • Worst Case Timing Data

Hardwired Clock – Using LVTTTL 24 mA High Slew Clock I/O

External Setup

$$\begin{aligned}
 &= (t_{DP} + t_{RD2} + t_{SUD}) - t_{HCKL} \\
 &= (1.72 + 0.53 + 0.23) - 3.02 = -0.54 \text{ ns}
 \end{aligned}$$

Clock-to-Out (Pad-to-Pad)

$$\begin{aligned}
 &= t_{HCKL} + t_{RCO} + t_{RD1} + t_{PY} \\
 &= 3.02 + 0.67 + 0.45 + 2.99 = 7.13 \text{ ns}
 \end{aligned}$$

Routed Clock – Using LVTTTL 24 mA High Slew Clock I/O

External Setup

$$\begin{aligned}
 &= (t_{DP} + t_{RD2} + t_{SUD}) - t_{RCKH} \\
 &= (1.72 + 0.53 + 0.23) - 3.13 = -0.65 \text{ ns}
 \end{aligned}$$

Clock-to-Out (Pad-to-Pad)

$$\begin{aligned}
 &= t_{RCKH} + t_{RCO} + t_{RD1} + t_{PY} \\
 &= 3.13 + 0.67 + 0.45 + 3.03 = 7.24 \text{ ns}
 \end{aligned}$$

User-Defined Supply Pins

VREF Supply Voltage

Reference voltage for I/O banks. VREF pins are configured by the user from regular I/O pins; VREF pins are not in fixed locations. There can be one or more VREF pins in an I/O bank.

Global Pins

HCLKA/B/C/D Dedicated (Hardwired) Clocks A, B, C and D

These pins are the clock inputs for sequential modules or north PLLs. Input levels are compatible with all supported I/O standards. There is a P/N pin pair for support of differential I/O standards. Single-ended clock I/Os can only be assigned to the P side of a paired I/O. This input is directly wired to each R-cell and offers clock speeds independent of the number of R-cells being driven. When the HCLK pins are unused, it is recommended that they are tied to ground.

CLKE/F/G/H Routed Clocks E, F, G, and H

These pins are clock inputs for clock distribution networks or south PLLs. Input levels are compatible with all supported I/O standards. There is a P/N pin pair for support of differential I/O standards. Single-ended clock I/Os can only be assigned to the P side of a paired I/O. The clock input is buffered prior to clocking the R-cells. When the CLK pins are unused, Microsemi recommends that they are tied to ground.

JTAG/Probe Pins

PRA/B/C/D Probe A, B, C and D

The Probe pins are used to output data from any user-defined design node within the device (controlled with Silicon Explorer II). These independent diagnostic pins can be used to allow real-time diagnostic output of any signal path within the device. The pins' probe capabilities can be permanently disabled to protect programmed design confidentiality. The probe pins are of LVTTTL output levels.

TCK Test Clock

Test clock input for JTAG boundary-scan testing and diagnostic probe (Silicon Explorer II).

TDI Test Data Input

Serial input for JTAG boundary-scan testing and diagnostic probe. TDI is equipped with an internal 10 k Ω pull-up resistor.

TDO Test Data Output

Serial output for JTAG boundary-scan testing.

TMS Test Mode Select

The TMS pin controls the use of the IEEE 1149.1 boundary-scan pins (TCK, TDI, TDO, TRST). TMS is equipped with an internal 10 k Ω pull-up resistor.

TRST Boundary Scan Reset Pin

The TRST pin functions as an active-low input to asynchronously initialize or reset the boundary scan circuit. The TRST pin is equipped with a 10 k Ω pull-up resistor.

Special Functions

LP Low Power Pin

The LP pin controls the low power mode of Axcelerator devices. The device is placed in the low power mode by connecting the LP pin to logic high. To exit the low power mode, the LP pin must be set Low. Additionally, the LP pin must be set Low during chip powering-up or chip powering-down operations. See "[Low Power Mode](#)" on page 2-106 for more details.

NC No Connection

This pin is not connected to circuitry within the device. These pins can be driven to any voltage or can be left floating with no effect on the operation of the device.

User I/Os²

Introduction

The Axcelerator family features a flexible I/O structure, supporting a range of mixed voltages (1.5 V, 1.8 V, 2.5 V, and 3.3 V) with its bank-selectable I/Os. [Table 2-8 on page 2-12](#) contains the I/O standards supported by the Axcelerator family, and [Table 2-10 on page 2-12](#) compares the features of the different I/O standards.

Each I/O provides programmable slew rates, drive strengths, and weak pull-up and weak pull-down circuits. The slew rate setting is effective for both rising and falling edges.

I/O standards, except 3.3 V PCI and 3.3 V PCI-X, are capable of hot insertion. 3.3 V PCI and 3.3 V PCI-X are 5 V tolerant with the aid of an external resistor.

The input buffer has an optional user-configurable delay element. The element can reduce or eliminate the hold time requirement for input signals registered within the I/O cell. The value for the delay is set on a bank-wide basis. Note that the delay WILL be a function of process variations as well as temperature and voltage changes.

Each I/O includes three registers: an input (InReg), an output (OutReg), and an enable register (EnReg). I/Os are organized into banks, and there are eight banks per device—two per side ([Figure 2-6 on page 2-18](#)). Each I/O bank has a common VCCI, the supply voltage for its I/Os.

For voltage-referenced I/Os, each bank also has a common reference-voltage bus, VREF. While VREF must have a common voltage for an entire I/O bank, its location is user-selectable. In other words, any user I/O in the bank can be selected to be a VREF.

The location of the VREF pin should be selected according to the following rules:

- Any pin that is assigned as a VREF can control a maximum of eight user I/O pad locations in each direction (16 total maximum) within the same I/O bank.
- I/O pad locations listed as no connects are counted as part of the 16 maximum. In many cases, this leads to fewer than eight user I/O package pins in each direction being controlled by a VREF pin.
- Dedicated I/O pins such as GND and VCCI are counted as part of the 16.
- The two user I/O pads immediately adjacent on each side of the VREF pin (four in total) may only be used as inputs. The exception is when there is a VCCI/GND pair separating the VREF pin and the user I/O pad location.
- The user does not need to assign VREF pins for OUTBUF and TRIBUF. VREF pins are needed only for input and bidirectional I/Os.

The differential amplifier supply voltage VCCDA should be connected to 3.3 V.

A user can gain access to the various I/O standards in three ways:

- Instantiate specific library macros that represent the desired specific standard.
- Use generic I/O macros and then use Designer's PinEditor to specify the desired I/O standards (please note that this is not applicable to differential standards).
- A combination of the first two methods.

Refer to the [I/O Features in Axcelerator Family Devices](#) application note and the [Antifuse Macro Library Guide](#) for more details.

2. Do not use an external resistor to pull the I/O above V_{CCI} for a higher logic "1" voltage level. The desired higher logic "1" voltage level will be degraded due to a small I/O current, which exists when the I/O is pulled up above V_{CCI} .

Table 2-8 • I/O Standards Supported by the Accelerator Family

I/O Standard	Input/Output Supply Voltage (VCCI)	Input Reference Voltage (VREF)	Board Termination Voltage (VTT)
LVTTTL	3.3	N/A	N/A
LVC MOS 2.5 V	2.5	N/A	N/A
LVC MOS 1.8 V	1.8	N/A	N/A
LVC MOS 1.5 V (JDEC8-11)	1.5	N/A	N/A
3.3V PCI/PCI-X	3.3	N/A	N/A
GTL+ 3.3 V	3.3	1.0	1.2
GTL+ 2.5 V*	2.5	1.0	1.2
HSTL Class 1	1.5	0.75	0.75
SSTL3 Class 1 and II	3.3	1.5	1.5
SSTL2 Class1 and II	2.5	1.25	1.25
LVDS	2.5	N/A	N/A
LVPECL	3.3	N/A	N/A

Note: *2.5 V GTL+ is not supported across the full military temperature range.

Table 2-9 • Supply Voltages

VCCA	VCCI	Input Tolerance	Output Drive Level
1.5 V	1.5 V	3.3 V	1.5 V
1.5 V	1.8 V	3.3 V	1.8 V
1.5 V	2.5 V	3.3 V	2.5 V
1.5 V	3.3 V	3.3 V	3.3 V

Table 2-10 • I/O Features Comparison

I/O Assignment	Clamp Diode	Hot Insertion	5 V Tolerance	Input Buffer	Output Buffer
LVTTTL	No	Yes	Yes ¹	Enabled/Disabled	
3.3 V PCI, 3.3 V PCI-X	Yes	No	Yes ^{1, 2}	Enabled/Disabled	
LVC MOS 2.5 V	No	Yes	No	Enabled/Disabled	
LVC MOS 1.8 V	No	Yes	No	Enabled/Disabled	
LVC MOS 1.5 V (JESD8-11)	No	Yes	No	Enabled/Disabled	
Voltage-Referenced Input Buffer	No	Yes	No	Enabled/Disabled	
Differential, LVDS/LVPECL, Input	No	Yes	No	Enabled	Disabled ³
Differential, LVDS/LVPECL, Output	No	Yes	No	Disabled	Enabled ⁴

Notes:

1. Can be implemented with an IDT bus switch.
2. Can be implemented with an external resistor.
3. The OE input of the output buffer must be deasserted permanently (handled by software).
4. The OE input of the output buffer must be asserted permanently (handled by software).

5 V Tolerance

There are two schemes to achieve 5 V tolerance:

1. 3.3 V PCI and 3.3 V PCI-X are the only I/O standards that directly allow 5 V tolerance. To implement this, an internal clamp diode between the input pad and the VCCI pad is enabled so that the voltage at the input pin is clamped, as shown in EQ 3:

$$V_{\text{input}} = V_{\text{CCI}} + V_{\text{diode}} = 3.3 \text{ V} + 0.7 \text{ V} = 4.0 \text{ V}$$

EQ 3

The internal VCCI clamp diode is only enabled while the device is powered on, so the voltage at the input will not be clamped if the VCCI or VCCA are powered off. An external series resistor ($\sim 100 \Omega$) is required between the input pin and the 5 V signal source to limit the current to less than 20 mA (Figure 2-3). The 100 Ω resistor was chosen to meet the input Tr/Tf requirement (Table 2-19 on page 2-21). The GND clamp diode is available for all I/O standards and always enabled.

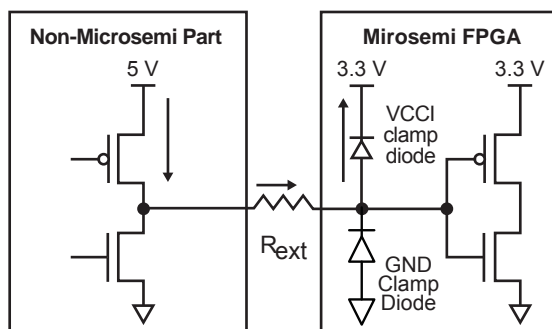


Figure 2-3 • Use of an External Resistor for 5 V Tolerance

2. 5 V tolerance can also be achieved with 3.3 V I/O standards (3.3 V PCI, 3.3 V PCI-X, and LVTTTL) using a bus-switch product (e.g. IDTQS32X2384). This will convert the 5 V signal to a 3.3 V signal with minimum delay (Figure 2-4).



Figure 2-4 • Bus Switch IDTQS32X2384

Simultaneous Switching Outputs (SSO)

When multiple output drivers switch simultaneously, they induce a voltage drop in the chip/package power distribution. This simultaneous switching momentarily raises the ground voltage within the device relative to the system ground. This apparent shift in the ground potential to a non-zero value is known as simultaneous switching noise (SSN) or more commonly, ground bounce.

SSN becomes more of an issue in high pin count packages and when using high performance devices such as the Axcelerator family. Based upon testing, Microsemi recommends that users not exceed eight simultaneous switching outputs (SSO) per each VCCI/GND pair. To ease this potential burden on designers, Microsemi has designed all of the Axcelerator BGAs³ to not exceed this limit with the exception of the CS180, which has an I/O to VCCI/GND pair ratio of nine to one.

Please refer to the [Simultaneous Switching Noise and Signal Integrity](#) application note for more information.

3. The user should note that in Bank 8 of both AX1000-FG484 and AX500-FG484, there are local violations of this 8:1 ratio.

I/O Banks and Compatibility

Since each I/O bank has its own user-assigned input reference voltage (VREF) and an input/output supply voltage (VCCI), only I/Os with compatible standards can be assigned to the same bank.

Table 2-11 shows the compatible I/O standards for a common VREF (for voltage-referenced standards). Similarly, Table 2-12 shows compatible standards for a common VCCI.

Table 2-11 • Compatible I/O Standards for Different VREF Values

VREF	Compatible Standards
1.5 V	SSTL 3 (Class I and II)
1.25 V	SSTL 2 (Class I and II)
1.0 V	GTL+ (2.5V and 3.3V Outputs)
0.75 V	HSTL (Class I)

Table 2-12 • Compatible I/O Standards for Different VCCI Values

VCCI ¹	Compatible Standards	VREF
3.3 V	LVTTL, PCI, PCI-X, LVPECL, GTL+ 3.3 V	1.0
3.3 V	SSTL 3 (Class I and II), LVTTL, PCI, LVPECL	1.5
2.5 V	LVC MOS 2.5 V, GTL+ 2.5 V, LVDS ²	1.0
2.5 V	LVC MOS 2.5 V, SSTL 2 (Classes I and II), LVDS ²	1.25
1.8 V	LVC MOS 1.8 V	N/A
1.5 V	LVC MOS 1.5 V, HSTL Class I	0.75

Notes:

1. VCCI is used for both inputs and outputs
2. VCCI tolerance is $\pm 5\%$

Table 2-13 summarizes the different combinations of voltages and I/O standards that can be used together in the same I/O bank.

Table 2-13 • Legal I/O Usage Matrix

I/O Standard	LVTTTL 3.3 V	LVC MOS 2.5 V	LVC MOS 1.8 V	LVC MOS 1.5 V (JESD8-11)	3.3V PCI/PCI-X	GTL + (3.3 V)	GTL + (2.5 V)	HSTL Class I (1.5V)	SSTL2 Class I & II (2.5 V)	SSTL3 Class I & II (3.3 V)	LVDS (2.5 V)	LVPECL (3.3 V)
LVTTTL 3.3 V (VREF=1.0 V)	✓	-	-	-	✓	✓	-	-	-	-	-	✓
LVTTTL 3.3 V (VREF=1.5 V)	✓	-	-	-	✓	-	-	-	-	✓	-	✓
LVC MOS 2.5 V (VREF=1.0 V)	-	✓	-	-	-	-	✓	-	-	-	✓	-
LVC MOS 2.5 V (VREF=1.25V)	-	✓	-	-	-	-	-	-	✓	-	✓	-
LVC MOS 1.8 V	-	-	✓	-	-	-	-	-	-	-	-	-
LVC MOS 1.5 V (VREF = 1.75 V) (JESD8-11)	-	-	-	✓	-	-	-	✓	-	-	-	-
3.3 V PCI/PCI-X (VREF = 1.0 V)	✓	-	-	-	✓	✓	-	-	-	-	-	✓
3.3 V PCI/PCI-X (VREF= 1.5 V)	✓	-	-	-	✓	-	-	-	-	✓	-	✓
GTL + (3.3 V)	✓	-	-	-	✓	✓	-	-	-	-	-	✓
GTL + (2.5 V)	-	✓	-	-	-	-	✓	-	-	-	-	-
HSTL Class I	-	-	-	✓	-	-	-	✓	-	-	-	-
SSTL2 Class I & II	-	✓	-	-	-	-	-	-	✓	-	✓	-
SSTL3 Class I & II	✓	-	-	-	✓	-	-	-	-	✓	-	✓
LVDS (VREF = 1.0 V)	-	✓	-	-	-	-	✓	-	-	-	✓	-
LVDS (VREF = 1.25 V)	-	✓	-	-	-	-	-	-	✓	-	✓	-
LVPECL (VREF = 1.0 V)	✓	-	-	-	✓	✓	-	-	-	-	-	✓
LVPECL (VREF = 1.5 V)	✓	-	-	-	✓	-	-	-	-	✓	-	✓

Notes:

- Note that GTL+ 2.5 V is not supported across the full military temperature range.
- A "✓" indicates whether standards can be used within a bank at the same time.

Examples:

- LVTTTL can be used with 3.3V PCI and GTL+ (3.3V), when $V_{REF} = 1.0V$ (GTL+ requirement).
- LVTTTL can be used with 3.3V PCI and SSTL3 Class I and II, when $V_{REF} = 1.5V$ (SSTL3 requirement).

Note that two I/O standards are compatible if:

- Their VCCI values are identical.
- Their VREF standards are identical (if applicable).

For example, if LVTTTL 3.3 V (VREF= 1.0 V) is used, then the other available (i.e. compatible) I/O standards in the same bank are LVTTTL 3.3 V PCI/PCI-X, GTL+, and LVPECL.

Also note that when multiple I/O standards are used within a bank, the voltage tolerance will be limited to the minimum tolerance of all I/O standards used in the bank.

I/O Clusters

Each I/O cluster incorporates two I/O modules, four RX modules, two TX modules, and a buffer module. In turn, each I/O module contains one Input Register (InReg), one Output Register (OutReg), and one Enable Register (EnReg) (Figure 2-5).



Figure 2-5 • I/O Cluster Interface

Using an I/O Register

To access the I/O registers, registers must be instantiated in the netlist and then connected to the I/Os. Usage of each I/O register (register combining) is individually controlled and can be selected/deselected using the PinEditor tool in the Designer software. I/O register combining can also be controlled at the device level, affecting all I/Os. Please note, the I/O register option is deselected by default in any given design.⁴

In addition, Designer software provides a global option to enable/disable the usage of registers in the I/Os. This option is design-specific. The setting for each individual I/O overrides this global option. Furthermore, the *global set fuse* option in the Designer software, when checked, causes all I/O registers to output logic High at device power-up.

4. Please note that register combining for multi fanout nets is not supported.

Using the Weak Pull-Up and Pull-Down Circuits

Each Axcelerator I/O comes with a weak pull-up/down circuit (on the order of 10 k Ω). These are weak transistors with the gates tied on, so the on resistance of the transistor emulates a resistor. The weak pull-up and pull-down is active only when the device is powered up, and they must be biased to be on. When the rails are coming up, they are not biased fully, so they do not behave as resistors until the voltage is at sufficient levels to bias the transistors. The key is they really are transistors; they are not traces of poly silicon, which is another way to do an on-chip resistor (those take much more room). I/O macros are provided for combinations of pull up/down for LVTTTL, LVCMOS (2.5 V, 1.8 V, and 1.5 V) standards. These macros can be instantiated if a keeper circuit for any input buffer is required.

Customizing the I/O

- A five-bit programmable input delay element is associated with each I/O. The value of this delay is set on a bank-wide basis (Table 2-14). It is optional for each input buffer within the bank (i.e. the user can enable or disable the delay element for the I/O). When the input buffer drives a register within the I/O, the delay element is activated by default to ensure a zero hold-time. The default setting for this property can be set in Designer. When the input buffer does not drive a register, the delay element is deactivated to provide higher performance. Again, this can be overridden by changing the default setting for this property in Designer.
- The slew-rate value for the LVTTTL output buffer can be programmed and can be set to either slow or fast.
- The drive strength value for LVTTTL output buffers can be programmed as well. There are four different drive strength values – 8 mA, 12 mA, 16 mA, or 24 mA – that can be specified in Designer.⁵

Table 2-14 • Bank-Wide Delay Values

Bits Setting	Delay (ns)	Bits Setting	Delay (ns)
0	0.54	16	2.01
1	0.65	17	2.13
2	0.71	18	2.19
3	0.83	19	2.3
4	0.9	20	2.38
5	1.01	21	2.49
6	1.08	22	2.55
7	1.19	23	2.67
8	1.27	24	2.75
9	1.39	25	2.87
10	1.45	26	2.93
11	1.56	27	3.04
12	1.64	28	3.12
13	1.75	29	3.23
14	1.81	30	3.29
15	1.93	31	3.41

Note: Delay values are approximate and will vary with process, temperature, and voltage.

5. These values are minimum drive strengths.

Using the Differential I/O Standards

Differential I/O macros should be instantiated in the netlist. The settings for these I/O standards cannot be changed inside Designer. Note that there are no tristated or bidirectional I/O buffers for differential standards.

Using the Voltage-Referenced I/O Standards

Using these I/O standards is similar to that of single-ended I/O standards. Their settings can be changed in Designer.

Using DDR (Double Data Rate)

In Double Data Rate mode, new data is present on every transition of the clock signal. Clock and data lines have identical bandwidth and signal integrity requirements, making it very efficient for implementing very high-speed systems.

To implement a DDR, users need to:

1. Instantiate an input buffer (with the required I/O standard)
2. Instantiate the DDR_REG macro (Figure 2-6)
3. Connect the output from the Input buffer to the input of the DDR macro



Figure 2-6 • DDR Register

Macros for Specific I/O Standards

There are different macro types for any I/O standard or feature that determine the required VCCI and VREF voltages for an I/O. The generic buffer macros require the LVTTTL standard with slow slew rate and 24 mA-drive strength. LVTTTL can support high slew rate but this should only be used for critical signals.

Most of the macro symbols represent variations of the six generic symbol types:

- CLKBUF: Clock Buffer
- HCLKBUF: Hardwired Clock Buffer
- INBUF: Input Buffer
- OUTBUF: Output Buffer
- TRIBUF: Tristate Buffer
- BIBUF: Bidirectional Buffer

Other macros include the following:

- Differential I/O standard macros: The LVDS and LVPECL macros either have a pair of differential inputs (e.g. INBUF_LVDS) or a pair of differential outputs (e.g. OUTBUF_LVPECL).
- Pull-up and pull-down variations of the INBUF, BIBUF, and TRIBUF macros. These are available only with TTL and LVCMOS thresholds. They can be used to model the behavior of the pull-up and pull-down resistors available in the architecture. Whenever an input pin is left unconnected, the output pin will either go high or low rather than unknown. This allows users to leave inputs unconnected without having the negative effect on simulation of propagating unknowns.
- DDR_REG macro. It can be connected to any I/O standard input buffers (i.e. INBUF) to implement a double data rate register. Designer software will map it to the I/O module in the same way it maps the other registers to the I/O module.

Table 2-15, Table 2-16, and Table 2-17 list all the available macro names differentiated by I/O standard, type, slew rate, and drive strength.

Table 2-15 • Macros for Single-Ended I/O Standards

Standard	VCCI	Macro Names
LVTTTL	3.3 V	CLKBUF, HCLKBUF INBUF, OUTBUF, OUTBUF_S_8, OUTBUF_S_12, OUTBUF_S_16, OUTBUF_S_24, OUTBUF_H_8, OUTBUF_H_12, OUTBUF_H_16, OUTBUF_H_24, TRIBUF, TRIBUF_S_8, TRIBUF_S_12, TRIBUF_S_16, TRIBUF_S_24, TRIBUF_H_8, TRIBUF_H_12, TRIBUF_H_16, TRIBUF_H_24, BIBUF, BIBUF_S_8, BIBUF_S_12, BIBUF_S_16, BIBUF_S_24, BIBUF_H_8, BIBUF_H_12, BIBUF_H_16, BIBUF_H_24
3.3 V PCI	3.3 V	CLKBUF_PCI, HCLKBUF_PCI, INBUF_PCI, OUTBUF_PCI, TRIBUF_PCI, BIBUF_PCI
3.3 V PCI-X	3.3 V	CLKBUF_PCI-X, HCLKBUF_PCI-X, INBUF_PCI-X, OUTBUF_PCI-X, TRIBUF_PCI-X, BIBUF_PCI-X
LVCNOS25	2.5 V	CLKBUF_LVCNOS25, HCLKBUF_LVCNOS25, INBUF_LVCNOS25, OUTBUF_LVCNOS25, TRIBUF_LVCNOS25, BIBUF_LVCNOS25
LVCNOS18	1.8 V	CLKBUF_LVCNOS18, HCLKBUF_LVCNOS18, INBUF_LVCNOS18, OUTBUF_LVCNOS18, TRIBUF_LVCNOS18, BIBUF_LVCNOS18
LVCNOS15 (JESD8-11)	1.5 V	CLKBUF_LVCNOS15, HCLKBUF_LVCNOS15, INBUF_LVCNOS15, OUTBUF_LVCNOS15, TRIBUF_LVCNOS15, BIBUF_LVCNOS15

Table 2-16 • I/O Macros for Differential I/O Standards

Standard	VCCI	Macro Names
LVPECL	3.3 V	CLKBUF_LVPECL, HCLKBUF_LVPECL, INBUF_LVPECL, OUTBUF_LVPECL
LVDS	2.5 V	CLKBUF_LVDS, HCLKBUF_LVDS, INBUF_LVDS, OUTBUF_LVDS

Table 2-17 • I/O Macros for Voltage-Referenced I/O Standards

Standard	VCCI	VREF	Macro Names
GTL+	3.3 V	1.0 V	CLKBUF_GTP33, HCLKBUF_GTP33, INBUF_GTP33, OUTBUF_GTP33, TRIBUF_GTP33, BIBUF_GTP33
GTL+	2.5 V	1.0 V	CLKBUF_GTP25, HCLKBUF_GTP25, INBUF_GTP25, OUTBUF_GTP25, TRIBUF_GTP25, BIBUF_GTP25
SSTL2 Class I	2.5 V	1.25 V	CLKBUF_SSTL2_I, HCLKBUF_SSTL2_I, INBUF_SSTL2_I, OUTBUF_SSTL2_I, TRIBUF_SSTL2_I, BIBUF_SSTL2_I
SSTL2 Class II	2.5 V	1.25 V	CLKBUF_SSTL2_II, HCLKBUF_SSTL2_II, INBUF_SSTL2_II, OUTBUF_SSTL2_II, TRIBUF_SSTL2_II, BIBUF_SSTL2_II
SSTL3 Class I	3.3 V	1.5 V	CLKBUF_SSTL3_I, HCLKBUF_SSTL3_I, INBUF_SSTL3_I, OUTBUF_SSTL3_I, TRIBUF_SSTL3_I, BIBUF_SSTL3_I
SSTL3 Class II	3.3 V	1.5 V	CLKBUF_SSTL3_II, HCLKBUF_SSTL3_II, INBUF_SSTL3_II, OUTBUF_SSTL3_II, TRIBUF_SSTL3_II, BIBUF_SSTL3_II
HSTL Class I	1.5 V	0.75 V	CLKBUF_HSTL_I, HCLKBUF_HSTL_I, INBUF_HSTL_I, OUTBUF_HSTL_I, TRIBUF_HSTL_I, BIBUF_HSTL_I

I/O Standard Electrical Specifications

Table 2-18 • Input Capacitance

Symbol	Parameter	Conditions	Min.	Max.	Units
C_{IN}	Input Capacitance	$V_{IN} = 0, f = 1.0 \text{ MHz}$		10	pF
C_{INCLK}	Input Capacitance on HCLK and RCLK Pin	$V_{IN} = 0, f = 1.0 \text{ MHz}$		10	pF

Table 2-19 • I/O Input Rise Time and Fall Time*

Input Buffer	Input Rise/Fall Time (min.)	Input Rise/Fall Time (max.)
LVTTTL	No Requirement	50 ns
LVC MOS 2.5V	No Requirement	50 ns
LVC MOS 1.8V	No Requirement	50 ns
LVC MOS 1.5V	No Requirement	50 ns
PCI	No Requirement	50 ns
PCIX	No Requirement	50 ns
GTL+	No Requirement	50 ns
HSTL	No Requirement	50 ns
SSTL2	No Requirement	50 ns
HSTL3	No Requirement	50 ns
LVDS	No Requirement	50 ns
LVPECL	No Requirement	50 ns

*Note: *Input Rise/Fall time applies to all inputs, be it clock or data. Inputs have to ramp up/down linearly, in a monotonic way. Glitches or a plateau may cause double clocking. They must be avoided. For output rise/fall time, refer to the IBIS models for extraction.*



Figure 2-9 • Input Buffer Delays

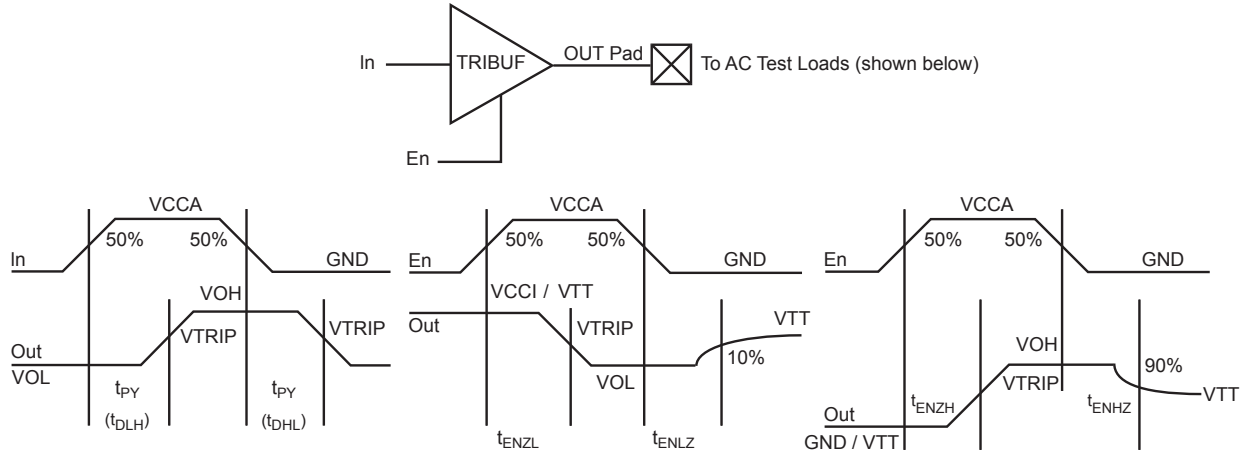


Figure 2-10 • Output Buffer Delays

I/O Module Timing Characteristics



Figure 2-11 • Timing Model

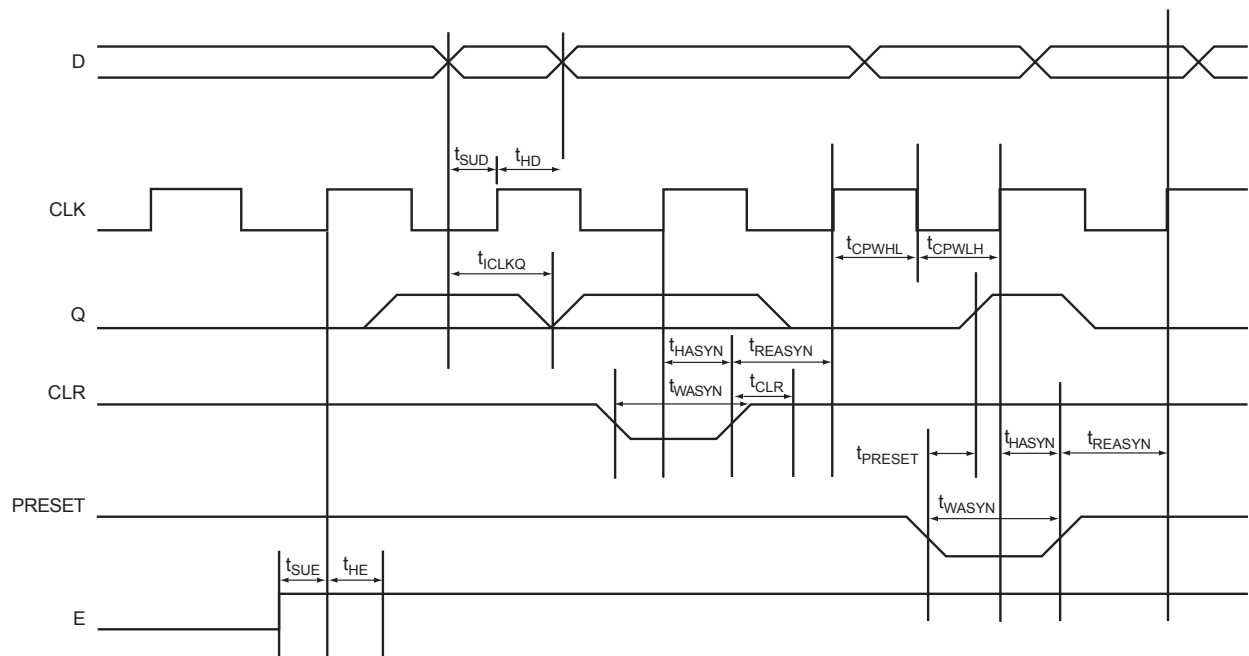


Figure 2-12 • Input Register Timing Characteristics

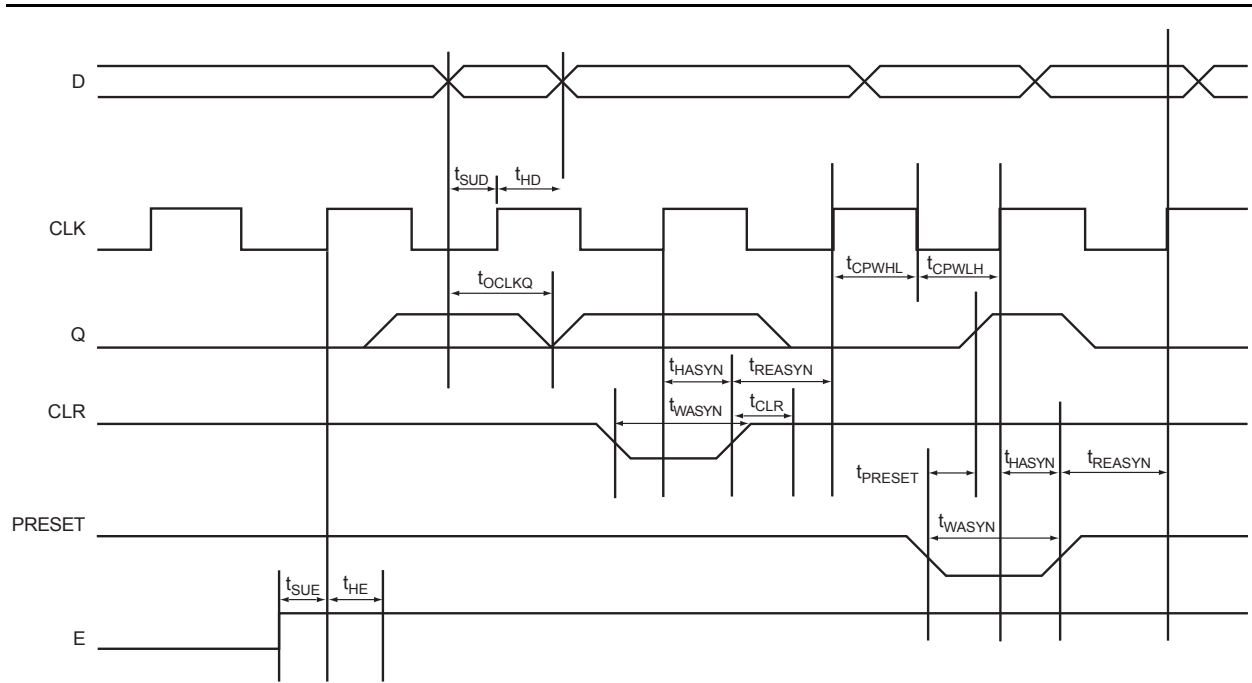


Figure 2-13 • Output Register Timing Characteristics

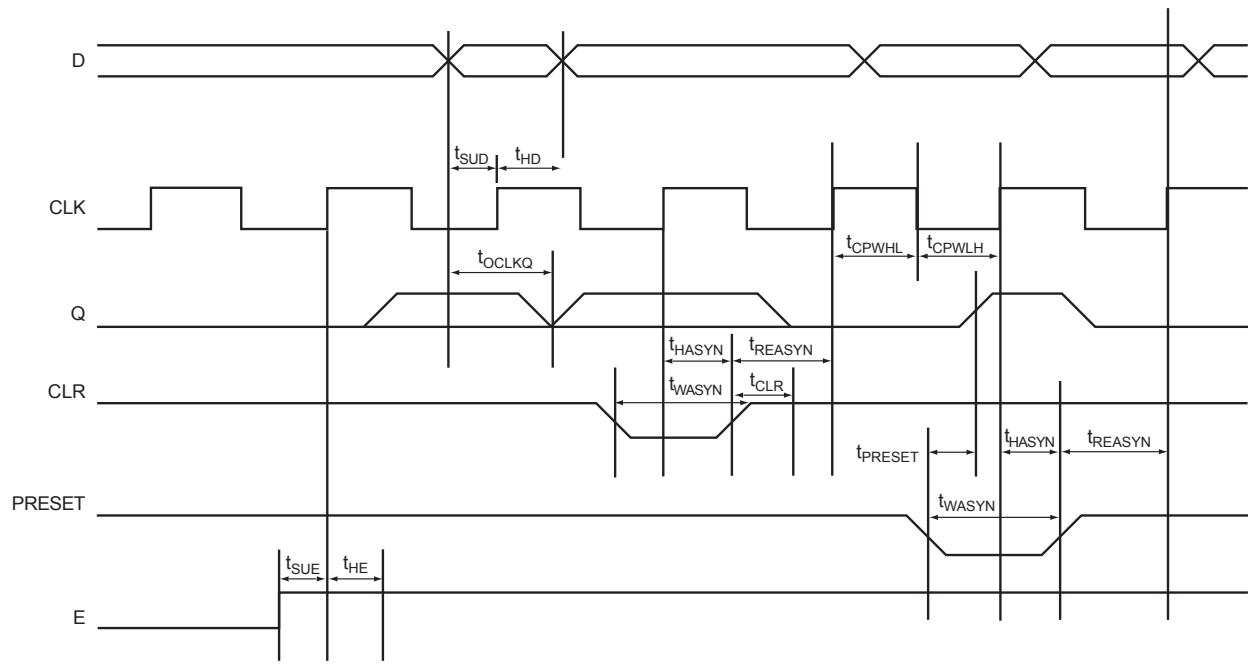


Figure 2-14 • Output Enable Register Timing Characteristics

3.3 V LVTTTL

Low-Voltage Transistor-Transistor Logic is a general purpose standard (EIA/JESD) for 3.3 V applications. It uses an LVTTTL input buffer and push-pull output buffer.

Table 2-20 • DC Input and Output Levels

VIL		VIH		VOL	VOH	IOL	IOH
Min., V	Max., V	Min., V	Max., V	Max., V	Min., V	mA	mA
-0.3	0.8	2.0	3.6	0.4	2.4	24	-24

AC Loadings



Figure 2-15 • AC Test Loads

Table 2-21 • AC Waveforms, Measuring Points, and Capacitive Load

Input Low (V)	Input High (V)	Measuring Point* (V)	VREF (typ) (V)	C _{load} (pF)
0	3.0	1.40	N/A	35

Note: * Measuring Point = VTRIP

Timing Characteristics

Table 2-22 • 3.3 V LVTTTL I/O Module

 Worst-Case Commercial Conditions VCCA = 1.425 V, VCCI = 3.0 V, T_J = 70°C

Parameter	Description	-2 Speed		-1 Speed		Std Speed		Units
		Min.	Max.	Min.	Max.	Min.	Max.	
LVTTTL Output Drive Strength = 1 (8 mA) / Low Slew Rate								
t _{DP}	Input Buffer		1.68		1.92		2.26	ns
t _{PV}	Output Buffer		14.28		16.27		19.13	ns
t _{ENZL}	Enable to Pad Delay through the Output Buffer—Z to Low		15.25		17.37		20.42	ns
t _{ENZH}	Enable to Pad Delay through the Output Buffer—Z to High		14.26		16.24		19.09	ns
t _{ENLZ}	Enable to Pad Delay through the Output Buffer—Low to Z		1.56		1.57		1.58	ns
t _{ENHZ}	Enable to Pad Delay through the Output Buffer—High to Z		1.95		1.96		1.97	ns
t _{IOCLKQ}	Sequential Clock-to-Q for the I/O Input Register		0.67		0.77		0.90	ns
t _{IOCLKY}	Clock-to-output Y for the I/O Output Register and the I/O Enable Register		0.67		0.77		0.90	ns
t _{SUD}	Data Input Set-Up		0.23		0.27		0.31	ns
t _{SUE}	Enable Input Set-Up		0.26		0.30		0.35	ns
t _{HD}	Data Input Hold		0.00		0.00		0.00	ns
t _{HE}	Enable Input Hold		0.00		0.00		0.00	ns
t _{CPWHL}	Clock Pulse Width High to Low	0.39		0.39		0.39		ns
t _{CPWLH}	Clock Pulse Width Low to High	0.39		0.39		0.39		ns
t _{WASYN}	Asynchronous Pulse Width	0.37		0.37		0.37		ns
t _{REASYN}	Asynchronous Recovery Time		0.13		0.15		0.17	ns
t _{HASYN}	Asynchronous Removal Time		0.00		0.00		0.00	ns
t _{CLR}	Asynchronous Clear-to-Q		0.23		0.27		0.31	ns
t _{PRESET}	Asynchronous Preset-to-Q		0.23		0.27		0.31	ns

Table 2-22 • 3.3 V LVTTTL I/O Module
Worst-Case Commercial Conditions VCCA = 1.425 V, VCCI = 3.0 V, T_J = 70°C (continued)

Parameter	Description	-2 Speed		-1 Speed		Std Speed		Units
		Min.	Max.	Min.	Max.	Min.	Max.	
LVTTTL Output Drive Strength = 2 (12 mA) / Low Slew Rate								
t _{DP}	Input Buffer		1.68		1.92		2.26	ns
t _{PY}	Output Buffer		12.14		13.83		16.26	ns
t _{ENZL}	Enable to Pad Delay through the Output Buffer—Z to Low		12.43		14.16		16.65	ns
t _{ENZH}	Enable to Pad Delay through the Output Buffer—Z to High		12.17		13.86		16.30	ns
t _{ENLZ}	Enable to Pad Delay through the Output Buffer—Low to Z		1.73		1.74		1.75	ns
t _{ENHZ}	Enable to Pad Delay through the Output Buffer—High to Z		2.22		2.23		2.24	ns
t _{IOCLKQ}	Sequential Clock-to-Q for the I/O Input Register		0.67		0.77		0.90	ns
t _{IOCLKY}	Clock-to-output Y for the I/O Output Register and the I/O Enable Register		0.67		0.77		0.90	ns
t _{SUD}	Data Input Set-Up		0.23		0.27		0.31	ns
t _{SUE}	Enable Input Set-Up		0.26		0.30		0.35	ns
t _{HD}	Data Input Hold		0.00		0.00		0.00	ns
t _{HE}	Enable Input Hold		0.00		0.00		0.00	ns
t _{CPWHL}	Clock Pulse Width High to Low	0.39		0.39		0.38		ns
t _{CPWLH}	Clock Pulse Width Low to High	0.39		0.39		0.39		ns
t _{WASYN}	Asynchronous Pulse Width	0.37		0.37		0.37		ns
t _{REASYN}	Asynchronous Recovery Time		0.13		0.15		0.17	ns
t _{HASYN}	Asynchronous Removal Time		0.00		0.00		0.00	ns
t _{CLR}	Asynchronous Clear-to-Q		0.23		0.27		0.31	ns
t _{PRESET}	Asynchronous Preset-to-Q		0.23		0.27		0.31	ns

Table 2-22 • 3.3 V LVTTTL I/O Module
Worst-Case Commercial Conditions VCCA = 1.425 V, VCCI = 3.0 V, T_J = 70°C (continued)

Parameter	Description	-2 Speed		-1 Speed		Std Speed		Units
		Min.	Max.	Min.	Max.	Min.	Max.	
LVTTTL Output Drive Strength =3 (16 mA) / Low Slew Rate								
t _{DP}	Input Buffer		1.68		1.92		2.26	ns
t _{PY}	Output Buffer		11.03		12.56		14.77	ns
t _{ENZL}	Enable to Pad Delay through the Output Buffer—Z to Low		11.42		13.01		15.29	ns
t _{ENZH}	Enable to Pad Delay through the Output Buffer—Z to High		11.04		12.58		14.79	ns
t _{ENLZ}	Enable to Pad Delay through the Output Buffer—Low to Z		1.86		1.88		1.88	ns
t _{ENHZ}	Enable to Pad Delay through the Output Buffer—High to Z		2.50		2.51		2.52	ns
t _{IOCLKQ}	Sequential Clock-to-Q for the I/O Input Register		0.67		0.77		0.90	ns
t _{IOCLKY}	Clock-to-output Y for the I/O Output Register and the I/O Enable Register		0.67		0.77		0.90	ns
t _{SUD}	Data Input Set-Up		0.23		0.27		0.31	ns
t _{SUE}	Enable Input Set-Up		0.26		0.30		0.35	ns
t _{HD}	Data Input Hold		0.00		0.00		0.00	ns
t _{HE}	Enable Input Hold		0.00		0.00		0.00	ns
t _{CPWHL}	Clock Pulse Width High to Low	0.39		0.39		0.39		ns
t _{CPWLH}	Clock Pulse Width Low to High	0.39		0.39		0.39		ns
t _{WASYN}	Asynchronous Pulse Width	0.37		0.37		0.37		ns
t _{REASYN}	Asynchronous Recovery Time		0.13		0.15		0.17	ns
t _{HASYN}	Asynchronous Removal Time		0.00		0.00		0.00	ns
t _{CLR}	Asynchronous Clear-to-Q		0.23		0.27		0.31	ns
t _{PRESET}	Asynchronous Preset-to-Q		0.23		0.27		0.31	ns

Table 2-22 • 3.3 V LVTTTL I/O Module
Worst-Case Commercial Conditions VCCA = 1.425 V, VCCI = 3.0 V, T_J = 70°C (continued)

Parameter	Description	-2 Speed		-1 Speed		Std Speed		Units
		Min.	Max.	Min.	Max.	Min.	Max.	
LVTTTL Output Drive Strength = 4 (24 mA) / Low Slew Rate								
t _{DP}	Input Buffer		1.68		1.92		2.26	ns
t _{PY}	Output Buffer		10.45		11.90		13.99	ns
t _{ENZL}	Enable to Pad Delay through the Output Buffer—Z to Low		10.61		12.08		14.21	ns
t _{ENZH}	Enable to Pad Delay through the Output Buffer—Z to High		10.47		11.93		14.02	ns
t _{ENLZ}	Enable to Pad Delay through the Output Buffer—Low to Z		1.92		1.94		1.94	ns
t _{ENHZ}	Enable to Pad Delay through the Output Buffer—High to Z		2.57		2.58		2.59	ns
t _{IOCLKQ}	Sequential Clock-to-Q for the I/O Input Register		0.67		0.77		0.90	ns
t _{IOCLKY}	Clock-to-output Y for the I/O Output Register and the I/O Enable Register		0.67		0.77		0.90	ns
t _{SUD}	Data Input Set-Up		0.23		0.27		0.31	ns
t _{SUE}	Enable Input Set-Up		0.26		0.30		0.35	ns
t _{HD}	Data Input Hold		0.00		0.00		0.00	ns
t _{HE}	Enable Input Hold		0.00		0.00		0.00	ns
t _{CPWHL}	Clock Pulse Width High to Low	0.39		0.39		0.39		ns
t _{CPWLH}	Clock Pulse Width Low to High	0.39		0.39		0.39		ns
t _{WASYN}	Asynchronous Pulse Width	0.37		0.37		0.37		ns
t _{REASYN}	Asynchronous Recovery Time		0.13		0.15		0.17	ns
t _{HASYN}	Asynchronous Removal Time		0.00		0.00		0.00	ns
t _{CLR}	Asynchronous Clear-to-Q		0.23		0.27		0.31	ns
t _{PRESET}	Asynchronous Preset-to-Q		0.23		0.27		0.31	ns

Table 2-22 • 3.3 V LVTTTL I/O Module
Worst-Case Commercial Conditions VCCA = 1.425 V, VCCI = 3.0 V, T_J = 70°C (continued)

Parameter	Description	-2 Speed		-1 Speed		Std Speed		Units
		Min.	Max.	Min.	Max.	Min.	Max.	
LVTTTL Output Drive Strength = 1 (8 mA) / High Slew Rate								
t _{DP}	Input Buffer		1.68		1.92		2.26	ns
t _{PY}	Output Buffer		4.23		4.81		5.66	ns
t _{ENZL}	Enable to Pad Delay through the Output Buffer—Z to Low		4.64		5.28		6.21	ns
t _{ENZH}	Enable to Pad Delay through the Output Buffer—Z to High		4.23		4.81		5.66	ns
t _{ENLZ}	Enable to Pad Delay through the Output Buffer—Low to Z		1.89		1.91		1.91	ns
t _{ENHZ}	Enable to Pad Delay through the Output Buffer—High to Z		2.01		2.02		2.03	ns
t _{IOCLKQ}	Sequential Clock-to-Q for the I/O Input Register		0.67		0.77		0.90	ns
t _{IOCLKY}	Clock-to-output Y for the I/O Output Register and the I/O Enable Register		0.67		0.77		0.90	ns
t _{SUD}	Data Input Set-Up		0.23		0.27		0.31	ns
t _{SUE}	Enable Input Set-Up		0.26		0.30		0.35	ns
t _{HD}	Data Input Hold		0.00		0.00		0.00	ns
t _{HE}	Enable Input Hold		0.00		0.00		0.00	ns
t _{CPWHL}	Clock Pulse Width High to Low	0.39		0.39		0.39		ns
t _{CPWLH}	Clock Pulse Width Low to High	0.39		0.39		0.39		ns
t _{WASYN}	Asynchronous Pulse Width	0.37		0.37		0.37		ns
t _{REASYN}	Asynchronous Recovery Time		0.13		0.15		0.17	ns
t _{HASYN}	Asynchronous Removal Time		0.00		0.00		0.00	ns
t _{CLR}	Asynchronous Clear-to-Q		0.23		0.27		0.31	ns
t _{PRESET}	Asynchronous Preset-to-Q		0.23		0.27		0.31	ns

Table 2-22 • 3.3 V LVTTTL I/O Module
Worst-Case Commercial Conditions VCCA = 1.425 V, VCCI = 3.0 V, T_J = 70°C (continued)

Parameter	Description	-2 Speed		-1 Speed		Std Speed		Units
		Min.	Max.	Min.	Max.	Min.	Max.	
LVTTTL Output Drive Strength = 2 (12 mA) / High Slew Rate								
t _{DP}	Input Buffer		1.68		1.92		2.26	ns
t _{PY}	Output Buffer		3.30		3.76		4.42	ns
t _{ENZL}	Enable to Pad Delay through the Output Buffer—Z to Low		3.74		4.26		5.00	ns
t _{ENZH}	Enable to Pad Delay through the Output Buffer—Z to High		3.06		3.49		4.10	ns
t _{ENLZ}	Enable to Pad Delay through the Output Buffer—Low to Z		1.89		1.91		1.91	ns
t _{ENHZ}	Enable to Pad Delay through the Output Buffer—High to Z		2.29		2.30		2.31	ns
t _{IOCLKQ}	Sequential Clock-to-Q for the I/O Input Register		0.67		0.77		0.90	ns
t _{IOCLKY}	Clock-to-output Y for the I/O Output Register and the I/O Enable Register		0.67		0.77		0.90	ns
t _{SUD}	Data Input Set-Up		0.23		0.27		0.31	ns
t _{SUE}	Enable Input Set-Up		0.26		0.30		0.35	ns
t _{HD}	Data Input Hold		0.00		0.00		0.00	ns
t _{HE}	Enable Input Hold		0.00		0.00		0.00	ns
t _{CPWHL}	Clock Pulse Width High to Low	0.39		0.39		0.39		ns
t _{CPWLH}	Clock Pulse Width Low to High	0.39		0.39		0.39		ns
t _{WASYN}	Asynchronous Pulse Width	0.37		0.37		0.37		ns
t _{REASYN}	Asynchronous Recovery Time		0.13		0.15		0.17	ns
t _{HASYN}	Asynchronous Removal Time		0.00		0.00		0.00	ns
t _{CLR}	Asynchronous Clear-to-Q		0.23		0.27		0.31	ns
t _{PRESET}	Asynchronous Preset-to-Q		0.23		0.27		0.31	ns

Table 2-22 • 3.3 V LVTTTL I/O Module
Worst-Case Commercial Conditions VCCA = 1.425 V, VCCI = 3.0 V, T_J = 70°C (continued)

Parameter	Description	-2 Speed		-1 Speed		Std Speed		Units
		Min.	Max.	Min.	Max.	Min.	Max.	
LVTTTL Output Drive Strength =3 (16 mA) / High Slew Rate								
t _{DP}	Input Buffer		1.68		1.92		2.26	ns
t _{PY}	Output Buffer		3.12		3.56		4.18	ns
t _{ENZL}	Enable to Pad Delay through the Output Buffer—Z to Low		3.54		4.04		4.75	ns
t _{ENZH}	Enable to Pad Delay through the Output Buffer—Z to High		2.78		3.17		3.72	ns
t _{ENLZ}	Enable to Pad Delay through the Output Buffer—Low to Z		1.91		1.93		1.93	ns
t _{ENHZ}	Enable to Pad Delay through the Output Buffer—High to Z		2.58		2.59		2.60	ns
t _{IOCLKQ}	Sequential Clock-to-Q for the I/O Input Register		0.67		0.77		0.90	ns
t _{IOCLKY}	Clock-to-output Y for the I/O Output Register and the I/O Enable Register		0.67		0.77		0.90	ns
t _{SUD}	Data Input Set-Up		0.23		0.27		0.31	ns
t _{SUE}	Enable Input Set-Up		0.26		0.30		0.35	ns
t _{HD}	Data Input Hold		0.00		0.00		0.00	ns
t _{HE}	Enable Input Hold		0.00		0.00		0.00	ns
t _{CPWHL}	Clock Pulse Width High to Low	0.39		0.39		0.39		ns
t _{CPWLH}	Clock Pulse Width Low to High	0.39		0.39		0.39		ns
t _{WASYN}	Asynchronous Pulse Width	0.37		0.37		0.37		ns
t _{REASYN}	Asynchronous Recovery Time		0.13		0.15		0.17	ns
t _{HASYN}	Asynchronous Removal Time		0.00		0.00		0.00	ns
t _{CLR}	Asynchronous Clear-to-Q		0.23		0.27		0.31	ns
t _{PRESET}	Asynchronous Preset-to-Q		0.23		0.27		0.31	ns

Table 2-22 • 3.3 V LVTTTL I/O Module
Worst-Case Commercial Conditions VCCA = 1.425 V, VCCI = 3.0 V, T_J = 70°C (continued)

Parameter	Description	-2 Speed		-1 Speed		Std Speed		Units
		Min.	Max.	Min.	Max.	Min.	Max.	
LVTTTL Output Drive Strength = 4 (24mA) / High Slew Rate								
t _{DP}	Input Buffer		1.68		1.92		2.26	ns
t _{PY}	Output Buffer		2.99		3.41		4.01	ns
t _{ENZL}	Enable to Pad Delay through the Output Buffer—Z to Low		2.49		2.51		2.51	ns
t _{ENZH}	Enable to Pad Delay through the Output Buffer—Z to High		2.59		2.95		3.46	ns
t _{ENLZ}	Enable to Pad Delay through the Output Buffer—Low to Z		1.91		1.93		1.93	ns
t _{ENHZ}	Enable to Pad Delay through the Output Buffer—High to Z		3.56		4.06		4.77	ns
t _{IOCLKQ}	Sequential Clock-to-Q for the I/O Input Register		0.67		0.77		0.90	ns
t _{IOCLKY}	Clock-to-output Y for the I/O Output Register and the I/O Enable Register		0.67		0.77		0.90	ns
t _{SUD}	Data Input Set-Up		0.23		0.27		0.31	ns
t _{SUE}	Enable Input Set-Up		0.26		0.30		0.35	ns
t _{HD}	Data Input Hold		0.00		0.00		0.00	ns
t _{HE}	Enable Input Hold		0.00		0.00		0.00	ns
t _{CPWHL}	Clock Pulse Width High to Low	0.39		0.39		0.39		ns
t _{CPWLH}	Clock Pulse Width Low to High	0.39		0.39		0.39		ns
t _{WASYN}	Asynchronous Pulse Width	0.37		0.37		0.37		ns
t _{REASYN}	Asynchronous Recovery Time		0.13		0.15		0.17	ns
t _{HASYN}	Asynchronous Removal Time		0.00		0.00		0.00	ns
t _{CLR}	Asynchronous Clear-to-Q		0.23		0.27		0.31	ns
t _{PRESET}	Asynchronous Preset-to-Q		0.23		0.27		0.31	ns

2.5 V LVCMOS

Low-Voltage Complementary Metal-Oxide Semiconductor for 2.5 V is an extension of the LVCMOS standard (JESD8-5) used for general-purpose 2.5 V applications. It uses a 3.3 V tolerant CMOS input buffer and a push-pull output buffer.

Table 2-23 • DC Input and Output Levels

VIL		VIH		VOL	VOH	IOL	IOH
Min., V	Max., V	Min., V	Max., V	Max., V	Min., V	mA	mA
-0.3	0.7	1.7	3.6	0.4	2.0	12	-12

AC Loadings



Figure 2-16 • AC Test Loads

Table 2-24 • AC Waveforms, Measuring Points, and Capacitive Loads

Input Low (V)	Input High (V)	Measuring Point* (V)	VREF (typ) (V)	C_{load} (pF)
0	2.5	1.25	N/A	35

Note: * Measuring Point = VTRIP

Timing Characteristics

Table 2-25 • 2.5V LVCMOS I/O Module
Worst-Case Commercial Conditions VCCA = 1.425 V, VCCI = 2.3 V, T_J = 70°C

Parameter	Description	-2 Speed		-1 Speed		Std Speed		Units
		Min.	Max.	Min.	Max.	Min.	Max.	
LVCMOS25 I/O Module Timing								
t _{DP}	Input Buffer		1.95		2.22		2.61	ns
t _{PY}	Output Buffer		3.29		3.74		4.40	ns
t _{ENZL}	Enable to Pad Delay through the Output Buffer—Z to Low		2.48		2.50		2.51	ns
t _{ENZH}	Enable to Pad Delay through the Output Buffer—Z to High		2.48		2.50		2.51	ns
t _{ENLZ}	Enable to Pad Delay through the Output Buffer—Low to Z		5.74		6.54		7.69	ns
t _{ENHZ}	Enable to Pad Delay through the Output Buffer—High to Z		6.60		7.51		8.83	ns
t _{IOCLKQ}	Sequential Clock-to-Q for the I/O Input Register		0.67		0.77		0.90	ns
t _{IOCLKY}	Clock-to-output Y for the I/O Output Register and the I/O Enable Register		0.67		0.77		0.90	ns
t _{SUD}	Data Input Set-Up		0.23		0.27		0.31	ns
t _{SUE}	Enable Input Set-Up		0.26		0.30		0.35	ns
t _{HD}	Data Input Hold		0.00		0.00		0.00	ns
t _{HE}	Enable Input Hold		0.00		0.00		0.00	ns
t _{CPWHL}	Clock Pulse Width High to Low	0.39		0.39		0.39		ns
t _{CPWLH}	Clock Pulse Width Low to High	0.39		0.39		0.39		ns
t _{WASYN}	Asynchronous Pulse Width	0.37		0.37		0.37		ns
t _{REASYN}	Asynchronous Recovery Time		0.13		0.15		0.17	ns
t _{HASYN}	Asynchronous Removal Time		0.00		0.00		0.00	ns
t _{CLR}	Asynchronous Clear-to-Q		0.23		0.27		0.31	ns
t _{PRESET}	Asynchronous Preset-to-Q		0.23		0.27		0.31	ns

1.8 V LVC MOS

Low-Voltage Complementary Metal-Oxide Semiconductor for 1.8 V is an extension of the LVC MOS standard (JESD8-5) used for general-purpose 1.8 V applications. It uses a 3.3 V tolerant CMOS input buffer and a push-pull output buffer.

Table 2-26 • DC Input and Output Levels

VIL		VIH		VOL	VOH	IOL	IOH
Min., V	Max., V	Min., V	Max., V	Max., V	Min., V	mA	mA
-0.3	0.2 VCCI	0.7 VCCI	3.6	0.2	VCCI - 0.2	8 mA	-8 mA

AC Loadings



Figure 2-17 • AC Test Loads

Table 2-27 • AC Waveforms, Measuring Points, and Capacitive Loads

Input Low (V)	Input High (V)	Measuring Point* (V)	VREF (typ) (V)	C _{load} (pF)
0	1.8	0.5 VCCI	N/A	35

Note: * Measuring Point = VTRIP

Timing Characteristics

Table 2-28 • 1.8V LVCMOS I/O Module

Worst-Case Commercial Conditions VCCA = 1.425 V, VCCI = 1.7 V, TJ = 70°C

Parameter	Description	-2 Speed		-1 Speed		Std Speed		Units
		Min.	Max.	Min.	Max.	Min.	Max.	
LVCMOS18 Output Module Timing								
t _{DP}	Input Buffer		3.26		3.71		4.37	ns
t _{PY}	Output Buffer		4.55		5.18		6.09	ns
t _{ENZL}	Enable to Pad Delay through the Output Buffer—Z to Low		2.82		2.83		2.84	ns
t _{ENZH}	Enable to Pad Delay through the Output Buffer—Z to High		3.43		3.45		3.46	ns
t _{ENLZ}	Enable to Pad Delay through the Output Buffer—Low to Z		6.01		6.85		8.05	ns
t _{ENHZ}	Enable to Pad Delay through the Output Buffer—High to Z		6.73		7.67		9.01	ns
t _{IOCLKQ}	Sequential Clock-to-Q for the I/O Input Register		0.67		0.77		0.90	ns
t _{IOCLKY}	Clock-to-output Y for the I/O Output Register and the I/O Enable Register		0.67		0.77		0.90	ns
t _{SUD}	Data Input Set-Up		0.23		0.27		0.31	ns
t _{SUE}	Enable Input Set-Up		0.26		0.30		0.35	ns
t _{HD}	Data Input Hold		0.00		0.00		0.00	ns
t _{HE}	Enable Input Hold		0.00		0.00		0.00	ns
t _{CPWHL}	Clock Pulse Width High to Low	0.39		0.39		0.39		ns
t _{CPWLH}	Clock Pulse Width Low to High	0.39		0.39		0.39		ns
t _{WASYN}	Asynchronous Pulse Width	0.37		0.37		0.37		ns
t _{REASYN}	Asynchronous Recovery Time		0.13		0.15		0.17	ns
t _{HASYN}	Asynchronous Removal Time		0.00		0.00		0.00	ns
t _{CLR}	Asynchronous Clear-to-Q		0.23		0.27		0.31	ns
t _{PRESET}	Asynchronous Preset-to-Q		0.23		0.27		0.31	ns

1.5 V LVC MOS (JESD8-11)

Low-Voltage Complementary Metal-Oxide Semiconductor for 1.5 V is an extension of the LVC MOS standard (JESD8-5) used for general-purpose 1.5 V applications. It uses a 3.3 V tolerant CMOS input buffer and a push-pull output buffer.

Table 2-29 • DC Input and Output Levels

VIL		VIH		VOL	VOH	IOL	IOH
Min., V	Max., V	Min., V	Max., V	Max., V	Min., V	mA	mA
-0.3	0.35 V _{CCI}	0.65 V _{CCI}	3.6	0.4	V _{CCI} - 0.4	8 mA	-8 mA

AC Loadings



Table 2-30 • AC Test Loads

Table 2-31 • AC Waveforms, Measuring Points, and Capacitive Loads

Input Low (V)	Input High (V)	Measuring Point* (V)	VREF (typ) (V)	C _{load} (pF)
0	1.5	0.5V _{CCI}	N/A	35

Note: * Measuring Point = VTRIP

Timing Characteristics

Table 2-32 • 1.5V LVCMOS I/O Module

Worst-Case Commercial Conditions VCCA = 1.425 V, VCCI = 1.4 V, TJ = 70°C

Parameter	Description	–2 Speed		–1 Speed		Std Speed		Units
		Min.	Max.	Min.	Max.	Min.	Max.	
LVCMOS15 (JESD8-11) I/O Module Timing								
t _{DP}	Input Buffer		3.59		4.09		4.81	ns
t _{PY}	Output Buffer		6.05		6.89		8.10	ns
t _{ENZL}	Enable to Pad Delay through the Output Buffer—Z to Low		3.31		3.34		3.34	ns
t _{ENZH}	Enable to Pad Delay through the Output Buffer—Z to High		4.56		4.58		4.59	ns
t _{ENLZ}	Enable to Pad Delay through the Output Buffer—Low to Z		6.37		7.25		8.52	ns
t _{ENHZ}	Enable to Pad Delay through the Output Buffer—High to Z		6.94		7.90		9.29	ns
t _{IOCLKQ}	Sequential Clock-to-Q for the I/O Input Register		0.67		0.77		0.90	ns
t _{IOCLKY}	Clock-to-output Y for the I/O Output Register and the I/O Enable Register		0.67		0.77		0.90	ns
t _{SUD}	Data Input Set-Up		0.23		0.27		0.31	ns
t _{SUE}	Enable Input Set-Up		0.26		0.30		0.35	ns
t _{HD}	Data Input Hold		0.00		0.00		0.00	ns
t _{HE}	Enable Input Hold		0.00		0.00		0.00	ns
t _{CPWHL}	Clock Pulse Width High to Low	0.39		0.39		0.39		ns
t _{CPWLH}	Clock Pulse Width Low to High	0.39		0.39		0.39		ns
t _{WASYN}	Asynchronous Pulse Width	0.37		0.37		0.37		ns
t _{REASYN}	Asynchronous Recovery Time		0.13		0.15		0.17	ns
t _{HASYN}	Asynchronous Removal Time		0.00		0.00		0.00	ns
t _{CLR}	Asynchronous Clear-to-Q		0.23		0.27		0.31	ns
t _{PRESET}	Asynchronous Preset-to-Q		0.23		0.27		0.31	ns

3.3 V PCI, 3.3 V PCI-X

Peripheral Component Interface for 3.3 V standard specifies support for both 33 MHz and 66 MHz PCI bus applications. It uses an LVTTTL input buffer and a push-pull output buffer. The input and output buffers are 5 V tolerant with the aid of external components. Axcelerator 3.3 V PCI and 3.3 V PCI-X buffers are compliant with the PCI Local Bus Specification Rev. 2.1.

The PCI Compliance Specification requires the clamp diodes to be able to withstand for 11 ns, -3.5 V in undershoot, and 7.1 V in overshoot.

Table 2-33 • DC Input and Output Levels

	VIL		VIH		VOL	VOH	IOL	IOH
	Min., V	Max., V	Min., V	Max., V	Max., V	Min., V	mA	mA
PCI	-0.3	0.3 VCCI	0.5 VCCI	VCCI + 0.5	(per PCI specification)			
PCI-X	-0.5	0.35 VCCI	0.5 VCCI	VCCI + 0.5	(per PCI specification)			

AC Loadings



Figure 2-18 • AC Test Loads

Table 2-34 • AC Waveforms, Measuring Points, and Capacitive Loads

Input Low (V)	Input High (V)	Measuring Point* (V)	VREF (typ) (V)	C _{load} (pF)
(Per PCI Spec and PCI-X Spec)			N/A	10

Note: * Measuring Point = VTRIP

Timing Characteristics

Table 2-35 • 3.3 V PCI I/O Module

Worst-Case Commercial Conditions VCCA = 1.425 V, VCCI = 3.0 V, T_J = 70°C

Parameter	Description	-2 Speed		-1 Speed		Std Speed		Units
		Min.	Max.	Min.	Max.	Min.	Max.	
3.3 V PCI Output Module Timing								
t _{DP}	Input Buffer		1.57		1.79		2.10	ns
t _{PY}	Output Buffer		1.91		2.18		2.56	ns
t _{ENZL}	Enable to Pad Delay through the Output Buffer—Z to Low		1.61		1.62		1.63	ns
t _{ENZH}	Enable to Pad Delay through the Output Buffer—Z to High		1.45		1.47		1.47	ns
t _{ENLZ}	Enable to Pad Delay through the Output Buffer—Low to Z		2.55		2.90		3.41	ns
t _{ENHZ}	Enable to Pad Delay through the Output Buffer—High to Z		3.52		4.01		4.72	ns
t _{IOCLKQ}	Sequential Clock-to-Q for the I/O Input Register		0.67		0.77		0.90	ns
t _{IOCLKY}	Clock-to-output Y for the I/O Output Register and the I/O Enable Register		0.67		0.77		0.90	ns
t _{SUD}	Data Input Set-Up		0.23		0.27		0.31	ns
t _{SUE}	Enable Input Set-Up		0.26		0.30		0.35	ns
t _{HD}	Data Input Hold		0.00		0.00		0.00	ns
t _{HE}	Enable Input Hold		0.00		0.00		0.00	ns
t _{CPWHL}	Clock Pulse Width High to Low	0.39		0.39		0.39		ns
t _{CPWLH}	Clock Pulse Width Low to High	0.39		0.39		0.39		ns
t _{WASYN}	Asynchronous Pulse Width	0.37		0.37		0.37		ns
t _{REASYN}	Asynchronous Recovery Time		0.13		0.15		0.17	ns
t _{HASYN}	Asynchronous Removal Time		0.00		0.00		0.00	ns
t _{CLR}	Asynchronous Clear-to-Q		0.23		0.27		0.31	ns
t _{PRESET}	Asynchronous Preset-to-Q		0.23		0.27		0.31	ns

Table 2-36 • 3.3 V PCI-X I/O Module
Worst-Case Commercial Conditions VCCA = 1.425 V, VCCI = 3.0 V, T_J = 70°C

Parameter	Description	-2 Speed		-1 Speed		Std Speed		Units
		Min.	Max.	Min.	Max.	Min.	Max.	
3.3 V PCI-X Output Module Timing								
t _{DP}	Input Buffer		1.57		1.79		2.10	ns
t _{PY}	Output Buffer		2.10		2.40		2.82	ns
t _{ENZL}	Enable to Pad Delay through the Output Buffer—Z to Low		1.61		1.62		1.63	ns
t _{ENZH}	Enable to Pad Delay through the Output Buffer—Z to High		1.59		1.60		1.61	ns
t _{ENLZ}	Enable to Pad Delay through the Output Buffer—Low to Z		2.65		3.02		3.55	ns
t _{ENHZ}	Enable to Pad Delay through the Output Buffer—High to Z		3.11		3.55		4.17	ns
t _{IOCLKQ}	Sequential Clock-to-Q for the I/O Input Register		0.67		0.77		0.90	ns
t _{IOCLKY}	Clock-to-output Y for the I/O Output Register and the I/O Enable Register		0.67		0.77		0.90	ns
t _{SUD}	Data Input Set-Up		0.23		0.27		0.31	ns
t _{SUE}	Enable Input Set-Up		0.26		0.30		0.35	ns
t _{HD}	Data Input Hold		0.00		0.00		0.00	ns
t _{HE}	Enable Input Hold		0.00		0.00		0.00	ns
t _{CPWHL}	Clock Pulse Width High to Low	0.39		0.39		0.39		ns
t _{CPWLH}	Clock Pulse Width Low to High	0.39		0.39		0.39		ns
t _{WASYN}	Asynchronous Pulse Width	0.37		0.37		0.37		ns
t _{REASYN}	Asynchronous Recovery Time		0.13		0.15		0.17	ns
t _{HASYN}	Asynchronous Removal Time		0.00		0.00		0.00	ns
t _{CLR}	Asynchronous Clear-to-Q		0.23		0.27		0.31	ns
t _{PRESET}	Asynchronous Preset-to-Q		0.23		0.27		0.31	ns

Voltage-Referenced I/O Standards

GTL+

Gunning Transceiver Logic Plus is a high-speed bus standard (JESD8-3). It requires a differential amplifier input buffer and an Open Drain output buffer. The VCCI pin should be connected to 2.5 V or 3.3 V. Note that 2.5 V GTL+ is not supported across the full military temperature range.

Table 2-37 • DC Input and Output Levels

VIL		VIH		VOL	VOH	IOL	IOH
Min., V	Max., V	Min., V	Max., V	Max., V	Min., V	mA	mA
N/A	VREF – 0.1	VREF + 0.1	N/A	0.6	NA	NA	NA

AC Loadings



Figure 2-19 • AC Test Loads

Table 2-38 • AC Waveforms, Measuring Points, and Capacitive Loads

Input Low (V)	Input High (V)	Measuring Point* (V)	VREF (typ) (V)	C _{load} (pF)
VREF – 0.2	VREF + 0.2	VREF	1.0	10

Note: * Measuring Point = VTRIP

Timing Characteristics

Table 2-39 • 2.5 V GTL+ I/O Module

Worst-Case Commercial Conditions VCCA = 1.425 V, VCCI = 2.3 V, T_J = 70°C

Parameter	Description	–2 Speed		–1 Speed		Std Speed		Units
		Min.	Max.	Min.	Max.	Min.	Max.	
2.5 V GTL+ I/O Module Timing								
t _{DP}	Input Buffer		1.71		1.95		2.29	ns
t _{PY}	Output Buffer		1.13		1.29		1.52	ns
t _{CLKQ}	Clock-to-Q for the I/O input register		0.67		0.77		0.90	ns
t _{OCLKQ}	Clock-to-Q for the I/O output register and the I/O enable register		0.67		0.77		0.90	ns
t _{SUD}	Data Input Set-Up		0.23		0.27		0.31	ns
t _{SUE}	Enable Input Set-Up		0.26		0.30		0.35	ns
t _{HD}	Data Input Hold		0.00		0.00		0.00	ns
t _{HE}	Enable Input Hold		0.00		0.00		0.00	ns
t _{CPWHL}	Clock Pulse Width High to Low	0.39		0.39		0.39		ns
t _{CPWLH}	Clock Pulse Width Low to High	0.39		0.39		0.39		ns
t _{WASYN}	Asynchronous Pulse Width	0.37		0.37		0.37		ns
t _{REASYN}	Asynchronous Recovery Time		0.13		0.15		0.17	ns
t _{HASYN}	Asynchronous Removal Time		0.00		0.00		0.00	ns
t _{CLR}	Asynchronous Clear-to-Q		0.23		0.27		0.31	ns
t _{PRESET}	Asynchronous Preset-to-Q		0.23		0.27		0.31	ns

Table 2-40 • 3.3 V GTL+ I/O Module
Worst-Case Commercial Conditions VCCA = 1.425 V, VCCI = 3.0 V, T_J = 70°C

Parameter	Description	-2 Speed		-1 Speed		Std Speed		Units
		Min.	Max.	Min.	Max.	Min.	Max.	
3.3 V GTL+I/O Module Timing								
t _{DP}	Input Buffer		1.71		1.95		2.29	ns
t _{PY}	Output Buffer		1.13		1.29		1.52	ns
t _{CLKQ}	Clock-to-Q for the I/O input register		0.67		0.77		0.90	ns
t _{OCLKQ}	Clock-to-Q for the I/O output register and the I/O enable register		0.67		0.77		0.90	ns
t _{SUD}	Data Input Set-Up		0.23		0.27		0.31	ns
t _{SUE}	Enable Input Set-Up		0.26		0.30		0.35	ns
t _{HD}	Data Input Hold		0.00		0.00		0.00	ns
t _{HE}	Enable Input Hold		0.00		0.00		0.00	ns
t _{CPWHL}	Clock Pulse Width High to Low	0.39		0.39		0.39		ns
t _{CPWLH}	Clock Pulse Width Low to High	0.39		0.39		0.39		ns
t _{WASYN}	Asynchronous Pulse Width	0.37		0.37		0.37		ns
t _{REASYN}	Asynchronous Recovery Time		0.13		0.15		0.17	ns
t _{HASYN}	Asynchronous Removal Time		0.00		0.00		0.00	ns
t _{CLR}	Asynchronous Clear-to-Q		0.23		0.27		0.31	ns
t _{PRESET}	Asynchronous Preset-to-Q		0.23		0.27		0.31	ns

HSTL Class I

High-Speed Transceiver Logic is a general-purpose high-speed 1.5 V bus standard (EIA/JESD8-6). The Axcelerator devices support Class I. This requires a differential amplifier input buffer and a push-pull output buffer.

Table 2-41 • DC Input and Output Levels

VIL		VIH		VOL	VOH	IOL	IOH
Min., V	Max., V	Min., V	Max., V	Max., V	Min., V	mA	mA
-0.3	VREF - 0.1	VREF + 0.1	3.6	0.4	VCC - 0.4	8	-8

AC Loadings



Figure 2-20 • AC Test Loads

Table 2-42 • AC Waveforms, Measuring Points, and Capacitive Loads

Input Low (V)	Input High (V)	Measuring Point* (V)	VREF (typ) (V)	C _{load} (pF)
VREF - 0.5	VREF + 0.5	VREF	0.75	20

Note: * Measuring Point = VTRIP

Timing Characteristics

Table 2-43 • 1.5 V HSTL Class I I/O Module

Worst-Case Commercial Conditions VCCA = 1.425 V, VCCI = 1.425 V, T_J = 70°C

Parameter	Description	-2 Speed		-1 Speed		Std Speed		Units
		Min.	Max.	Min.	Max.	Min.	Max.	
1.5 V HSTL Class I I/O Module Timing								
t _{DP}	Input Buffer		1.80		2.05		2.41	ns
t _{PY}	Output Buffer		4.90		5.58		6.56	ns
t _{CLKQ}	Clock-to-Q for the I/O input register		0.67		0.77		0.90	ns
t _{OCLKQ}	Clock-to-Q for the I/O output register and the I/O enable register		0.67		0.77		0.90	ns
t _{SUD}	Data Input Set-Up		0.23		0.27		0.31	ns
t _{SUE}	Enable Input Set-Up		0.26		0.30		0.35	ns
t _{HD}	Data Input Hold		0.00		0.00		0.00	ns
t _{HE}	Enable Input Hold		0.00		0.00		0.00	ns
t _{CPWHL}	Clock Pulse Width High to Low	0.39		0.39		0.39		ns
t _{CPWLH}	Clock Pulse Width Low to High	0.39		0.39		0.39		ns
t _{WASYN}	Asynchronous Pulse Width	0.37		0.37		0.37		ns
t _{REASYN}	Asynchronous Recovery Time		0.13		0.15		0.17	ns
t _{HASYN}	Asynchronous Removal Time		0.00		0.00		0.00	ns
t _{CLR}	Asynchronous Clear-to-Q		0.23		0.27		0.31	ns
t _{PRESET}	Asynchronous Preset-to-Q		0.23		0.27		0.31	ns

SSTL2

Stub Series Terminated Logic for 2.5 V is a general-purpose 2.5 V memory bus standard (JESD8-9). The Axcelerator devices support both classes of this standard. This requires a differential amplifier input buffer and a push-pull output buffer.

Class I

Table 2-44 • DC Input and Output Levels

VIL		VIH		VOL	VOH	IOL	IOH
Min., V	Max., V	Min., V	Max., V	Max., V	Min., V	mA	mA
-0.3	VREF - 0.2	VREF + 0.2	3.6	VREF - 0.57	VREF + 0.57	7.6	-7.6

AC Loadings

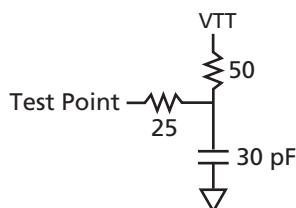


Figure 2-21 • AC Test Loads

Table 2-45 • AC Waveforms, Measuring Points, and Capacitive Loads

Input Low (V)	Input High (V)	Measuring Point* (V)	VREF (typ) (V)	C _{load} (pF)
VREF - 0.75	VREF + 0.75	VREF	1.25	30

Note: * Measuring Point = VTRIP

Timing Characteristics

Table 2-46 • 2.5 V SSTL2 Class I I/O Module

Worst-Case Commercial Conditions VCCA = 1.425 V, VCCI = 2.3 V, T_J = 70°C

Parameter	Description	-2 Speed		-1 Speed		Std Speed		Units
		Min.	Max.	Min.	Max.	Min.	Max.	
2.5 V SSTL2 Class I I/O Module Timing								
t _{DP}	Input Buffer		1.83		2.08		2.45	ns
t _{PY}	Output Buffer		2.39		2.72		3.20	ns
t _{CLKQ}	Clock-to-Q for the I/O input register		0.67		0.77		0.90	ns
t _{OCLKQ}	Clock-to-Q for the I/O output register and the I/O enable register		0.67		0.77		0.90	ns
t _{SUD}	Data Input Set-Up		0.23		0.27		0.31	ns
t _{SUE}	Enable Input Set-Up		0.26		0.30		0.35	ns
t _{HD}	Data Input Hold		0.00		0.00		0.00	ns
t _{HE}	Enable Input Hold		0.00		0.00		0.00	ns
t _{CPWHL}	Clock Pulse Width High to Low	0.39		0.39		0.39		ns
t _{CPWLH}	Clock Pulse Width Low to High	0.39		0.39		0.39		ns
t _{WASYN}	Asynchronous Pulse Width	0.37		0.37		0.37		ns
t _{REASYN}	Asynchronous Recovery Time		0.13		0.15		0.17	ns
t _{HASYN}	Asynchronous Removal Time		0.00		0.00		0.00	ns
t _{CLR}	Asynchronous Clear-to-Q		0.23		0.27		0.31	ns
t _{PRESET}	Asynchronous Preset-to-Q		0.23		0.27		0.31	ns

Class II

Table 2-47 • DC Input and Output Levels

VIL		VIH		VOL	VOH	IOL	IOH
Min., V	Max., V	Min., V	Max., V	Max., V	Min., V	mA	mA
-0.3	VREF – 0.2	VREF + 0.2	3.6	VREF – 0.8	VREF + 0.8	15.2	-15.2

AC Loadings

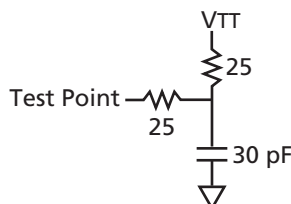


Figure 2-22 • AC Test Loads

Table 2-48 • AC Waveforms, Measuring Points, and Capacitive Loads

Input Low (V)	Input High (V)	Measuring Point* (V)	VREF (typ) (V)	C _{load} (pF)
VREF – 0.75	VREF + 0.75	VREF	1.25	30

Note: * Measuring Point = V_{trip}

Timing Characteristics

Table 2-49 • 2.5 V SSTL2 Class II I/O Module

Worst-Case Commercial Conditions VCCA = 1.425 V, VCCI = 2.3 V, T_J = 70°C

Parameter	Description	–2 Speed		–1 Speed		Std Speed		Units
		Min.	Max.	Min.	Max.	Min.	Max.	
2.5 V SSTL2 Class II I/O Module Timing								
t _{DP}	Input Buffer		1.89		2.16		2.53	ns
t _{PY}	Output Buffer		2.39		2.72		3.20	ns
t _{CLKQ}	Clock-to-Q for the I/O input register		0.67		0.77		0.90	ns
t _{OCLKQ}	Clock-to-Q for the I/O output register and the I/O enable register		0.67		0.77		0.90	ns
t _{SUD}	Data Input Set-Up		0.23		0.27		0.31	ns
t _{SUE}	Enable Input Set-Up		0.26		0.30		0.35	ns
t _{HD}	Data Input Hold		0.00		0.00		0.00	ns
t _{HE}	Enable Input Hold		0.00		0.00		0.00	ns
t _{CPWHL}	Clock Pulse Width High to Low	0.39		0.39		0.39		ns
t _{CPWLH}	Clock Pulse Width Low to High	0.39		0.39		0.39		ns
t _{WASYN}	Asynchronous Pulse Width	0.37		0.37		0.37		ns
t _{REASYN}	Asynchronous Recovery Time		0.13		0.15		0.17	ns
t _{HASYN}	Asynchronous Removal Time		0.00		0.00		0.00	ns
t _{CLR}	Asynchronous Clear-to-Q		0.23		0.27		0.31	ns
t _{PRESET}	Asynchronous Preset-to-Q		0.23		0.27		0.31	ns

SSTL3

Stub Series Terminated Logic for 3.3 V is a general-purpose 3.3 V memory bus standard (JESD8-8). The Axcelerator devices support both classes of this standard. This requires a differential amplifier input buffer and a push-pull output buffer.

Class I

Table 2-50 • DC Input and Output Levels

VIL		VIH		VOL	VOH	IOL	IOH
Min., V	Max., V	Min., V	Max., V	Max., V	Min., V	mA	mA
-0.3	VREF - 0.2	VREF + 0.2	3.6	VREF - 0.6	VREF + 0.6	8	-8

AC Loadings

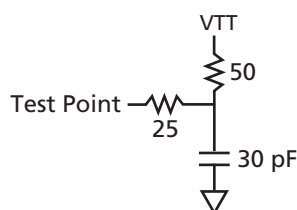


Figure 2-23 • AC Test Loads

Table 2-51 • AC Waveforms, Measuring Points, and Capacitive Loads

Input Low (V)	Input High (V)	Measuring Point* (V)	VREF (typ) (V)	C _{load} (pF)
VREF - 1.0	VREF + 1.0	VREF	1.50	30

Note: *Measuring Point = VTRIP

Timing Characteristics

Table 2-52 • 3.3 V SSTL3 Class I I/O Module

Worst-Case Commercial Conditions VCCA = 1.425 V, VCCI = 3.0 V, T_J = 70°C

Parameter	Description	-2 Speed		-1 Speed		Std Speed		Units
		Min.	Max.	Min.	Max.	Min.	Max.	
3.3 V SSTL3 Class I I/O Module Timing								
t _{DP}	Input Buffer		1.78		2.03		2.39	ns
t _{PY}	Output Buffer		2.17		2.47		2.91	ns
t _{CLKQ}	Clock-to-Q for the I/O input register		0.67		0.77		0.90	ns
t _{OCLKQ}	Clock-to-Q for the I/O output register and the I/O enable register		0.67		0.77		0.90	ns
t _{SUD}	Data Input Set-Up		0.23		0.27		0.31	ns
t _{SUE}	Enable Input Set-Up		0.26		0.30		0.35	ns
t _{HD}	Data Input Hold		0.00		0.00		0.00	ns
t _{HE}	Enable Input Hold		0.00		0.00		0.00	ns
t _{CPWHL}	Clock Pulse Width High to Low	0.39		0.39		0.39		ns
t _{CPWLH}	Clock Pulse Width Low to High	0.39		0.39		0.39		ns
t _{WASYN}	Asynchronous Pulse Width	0.37		0.37		0.37		ns
t _{REASYN}	Asynchronous Recovery Time		0.13		0.15		0.17	ns
t _{HASYN}	Asynchronous Removal Time		0.00		0.00		0.00	ns
t _{CLR}	Asynchronous Clear-to-Q		0.23		0.27		0.31	ns
t _{PRESET}	Asynchronous Preset-to-Q		0.23		0.27		0.31	ns

Class II

Table 2-53 • DC Input and Output Levels

VIL		VIH		VOL	VOH	IOL	IOH
Min., V	Max., V	Min., V	Max., V	Max., V	Min., V	mA	mA
-0.3	VREF – 0.2	VREF + 0.2	3.6	VREF – 0.8	VREF + 0.8	16	-16

AC Loadings

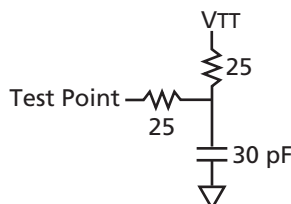


Figure 2-24 • AC Test Loads

Table 2-54 • AC Waveforms, Measuring Points, and Capacitive Loads

Input Low (V)	Input High (V)	Measuring Point* (V)	VREF (typ) (V)	C _{load} (pF)
VREF – 1.0	VREF + 1.0	VREF	1.50	30

Note: * Measuring Point = VTRIP

Timing Characteristics

Table 2-55 • 3.3 V SSTL3 Class II I/O Module

Worst-Case Commercial Conditions VCCA = 1.425 V, VCCI = 3.0V, T_J = 70°C

Parameter	Description	–2 Speed		–1 Speed		Std Speed		Units
		Min.	Max.	Min.	Max.	Min.	Max.	
3.3 V SSTL3 Class II I/O Module Timing								
t _{DP}	Input Buffer		1.85		2.10		2.47	ns
t _{PY}	Output Buffer		2.17		2.47		2.91	ns
t _{CLKQ}	Clock-to-Q for the I/O input register		0.67		0.77		0.90	ns
t _{OCLKQ}	Clock-to-Q for the I/O output register and the I/O enable register		0.67		0.77		0.90	ns
t _{SUD}	Data Input Set-Up		0.23		0.27		0.31	ns
t _{SUE}	Enable Input Set-Up		0.26		0.30		0.35	ns
t _{HD}	Data Input Hold		0.00		0.00		0.00	ns
t _{HE}	Enable Input Hold		0.00		0.00		0.00	ns
t _{CPWHL}	Clock Pulse Width High to Low	0.39		0.39		0.39		ns
t _{CPWLH}	Clock Pulse Width Low to High	0.39		0.39		0.39		ns
t _{WASYN}	Asynchronous Pulse Width	0.37		0.37		0.37		ns
t _{REASYN}	Asynchronous Recovery Time		0.13		0.15		0.17	ns
t _{HASYN}	Asynchronous Removal Time		0.00		0.00		0.00	ns
t _{CLR}	Asynchronous Clear-to-Q		0.23		0.27		0.31	ns
t _{PRESET}	Asynchronous Preset-to-Q		0.23		0.27		0.31	ns

Differential Standards

Physical Implementation

Implementing differential I/O standards requires the configuration of a pair of external I/O pads, resulting in a single internal signal. To facilitate construction of the differential pair, a single I/O Cluster contains the resources for a pair of I/Os. Configuration of the I/O Cluster as a differential pair is handled by Designer software when the user instantiates a differential I/O macro in the design.

Differential I/Os can also be used in conjunction with the embedded Input Register (InReg), Output Register (OutReg), Enable Register (EnReg), and Double Data Rate (DDR). However, there is no support for bidirectional I/Os or tristates with these standards.

LVDS

Low-Voltage Differential Signal (ANSI/TIA/EIA-644) is a high-speed, differential I/O standard. It requires that one data bit is carried through two signal lines, so two pins are needed. It also requires an external resistor termination. The voltage swing between these two signal lines is approximately 350 mV.



Figure 2-25 • LVDS Board-Level Implementation

The LVDS circuit consists of a differential driver connected to a terminated receiver through a constant-impedance transmission line. The receiver is a wide-common-mode-range differential amplifier. The common-mode range is from 0.2 V to 2.2 V for a differential input with 400 mV swing.

To implement the driver for the LVDS circuit, drivers from two adjacent I/O cells are used to generate the differential signals (note that the driver is not a current-mode driver). This driver provides a nominal constant current of 3.5 mA. When this current flows through a 100 Ω termination resistor on the receiver side, a voltage swing of 350 mV is developed across the resistor. The direction of the current flow is controlled by the data fed to the driver.

An external-resistor network (three resistors) is needed to reduce the voltage swing to about 350 mV. Therefore, four external resistors are required, three for the driver and one for the receiver.

Table 2-56 • DC Input and Output Levels

DC Parameter	Description	Min.	Typ.	Max.	Units
VCCI ¹	Supply Voltage	2.375	2.5	2.625	V
VOH	Output High Voltage	1.25	1.425	1.6	V
VOL	Output Low Voltage	0.9	1.075	1.25	V
VODIFF	Differential Output Voltage	250	350	450	mV
VOCM	Output Common Mode Voltage	1.125	1.25	1.375	V
VICM2	Input Common Mode Voltage	0.2	1.25	2.2	V

Notes:

1. ±5%
2. Differential input voltage = ±350 mV.

Table 2-57 • AC Waveforms, Measuring Points, and Capacitive Loads

Input Low (V)	Input High (V)	Measuring Point* (V)
1.2 – 0.125	1.2 + 0.125	1.2

Note: * Measuring Point = VTRIP

Timing Characteristics

Table 2-58 • LVDS I/O Module

Worst-Case Commercial Conditions VCCA = 1.425 V, VCCI = 2.3 V, T_J = 70°C

Parameter	Description	–2 Speed		–1 Speed		Std Speed		Units
		Min.	Max.	Min.	Max.	Min.	Max.	
LVDS Output Module Timing								
t _{DP}	Input Buffer		1.80		2.05		2.41	ns
t _{PY}	Output Buffer		2.32		2.64		3.11	ns
t _{CLKQ}	Clock-to-Q for the I/O input register		0.67		0.77		0.90	ns
t _{OCLKQ}	Clock-to-Q for the I/O output register and the I/O enable register		0.67		0.77		0.90	ns
t _{SUD}	Data Input Set-Up		0.23		0.27		0.31	ns
t _{SUE}	Enable Input Set-Up		0.26		0.30		0.35	ns
t _{HD}	Data Input Hold		0.00		0.00		0.00	ns
t _{HE}	Enable Input Hold		0.00		0.00		0.00	ns
t _{CPWHL}	Clock Pulse Width High to Low	0.39		0.39		0.39		ns
t _{CPWLH}	Clock Pulse Width Low to High	0.39		0.39		0.39		ns
t _{WASYN}	Asynchronous Pulse Width	0.37		0.37		0.37		ns
t _{REASYN}	Asynchronous Recovery Time		0.13		0.15		0.17	ns
t _{HASYN}	Asynchronous Removal Time		0.00		0.00		0.00	ns
t _{CLR}	Asynchronous Clear-to-Q		0.23		0.27		0.31	ns
t _{PRESET}	Asynchronous Preset-to-Q		0.23		0.27		0.31	ns

LVPECL

Low-Voltage Positive Emitter-Coupled Logic (LVPECL) is another differential I/O standard. It requires that one data bit is carried through two signal lines. Like LVDS, two pins are needed. It also requires external resistor termination. The voltage swing between these two signal lines is approximately 850 mV.



Figure 2-26 • LVPECL Board-Level Implementation

The LVPECL circuit is similar to the LVDS scheme. It requires four external resistors, three for the driver and one for the receiver. The values for the three driver resistors are different from that of LVDS since the output voltage levels are different. Please note that the VOH levels are 200 mV below the standard LVPECL levels.

Table 2-59 • DC Input and Output Levels

DC Parameter	Min.		Typ.		Max.		Units
	Min.	Max.	Min.	Max.	Min.	Max.	
VCCI	3		3.3		3.6		V
VOH	1.8	2.11	1.92	2.28	2.13	2.41	V
VOL	0.96	1.27	1.06	1.43	1.3	1.57	V
VIH	1.49	2.72	1.49	2.72	1.49	2.72	V
VIL	0.86	2.125	0.86	2.125	0.86	2.125	V
Differential Input Voltage	0.3		0.3		0.3		V

Table 2-60 • AC Waveforms, Measuring Points, and Capacitive Loads

Input Low (V)	Input High (V)	Measuring Point* (V)
1.6 – 0.3	1.6 + 0.3	1.6

Note: * Measuring Point = VTRIP

Timing Characteristics

Table 2-61 • LVPECL I/O Module

Worst-Case Commercial Conditions VCCA = 1.425 V, VCCI = 3.0 V, T_J = 70°C

Parameter	Description	–2 Speed		–1 Speed		Std Speed		Units
		Min.	Max.	Min.	Max.	Min.	Max.	
LVPECL Output Module Timing								
t _{DP}	Input Buffer		1.66		1.89		2.22	ns
t _{PY}	Output Buffer		2.24		2.55		3.00	ns
t _{CLKQ}	Clock-to-Q for the I/O input register		0.67		0.77		0.90	ns
t _{OCLKQ}	Clock-to-Q for the IO output register and the I/O enable register		0.67		0.77		0.90	ns
t _{SUD}	Data Input Set-Up		0.23		0.27		0.31	ns
t _{SUE}	Enable Input Set-Up		0.26		0.30		0.35	ns
t _{HD}	Data Input Hold		0.00		0.00		0.00	ns
t _{HE}	Enable Input Hold		0.00		0.00		0.00	ns
t _{CPWHL}	Clock Pulse Width High to Low	0.39		0.39		0.39		ns
t _{CPWLH}	Clock Pulse Width Low to High	0.39		0.39		0.39		ns
t _{WASYN}	Asynchronous Pulse Width	0.37		0.37		0.37		ns
t _{REASYN}	Asynchronous Recovery Time		0.13		0.15		0.17	ns
t _{HASYN}	Asynchronous Removal Time		0.00		0.00		0.00	ns
t _{CLR}	Asynchronous Clear-to-Q		0.23		0.27		0.31	ns
t _{PRESET}	Asynchronous Preset-to-Q		0.23		0.27		0.31	ns

Module Specifications

C-Cell

Introduction

The C-cell is one of the two logic module types in the AX architecture. It is the combinatorial logic resource in the Axcelerator device. The AX architecture implements a new combinatorial cell that is an extension of the C-cell implemented in the SX-A family. The main enhancement of the new C-cell is the addition of carry-chain logic.

The C-cell can be used in a carry-chain mode to construct arithmetic functions. If carry-chain logic is not required, it can be disabled.

The C-cell features the following (Figure 2-27):

- Eight-input MUX (data: D0-D3, select: A0, A1, B0, B1). User signals can be routed to any one of these inputs. Any of the C-cell inputs (D0-D3, A0, A1, B0, B1) can be tied to one of the four routed clocks (CLKE/F/G/H).
- Inverter (DB input) can be used to drive a complement signal of any of the inputs to the C-cell.
- A carry input and a carry output. The carry input signal of the C-cell is the carry output from the C-cell directly to the north.
- Carry connect for carry-chain logic with a signal propagation time of less than 0.1 ns.
- A hardwired connection (direct connect) to the adjacent R-cell (Register Cell) for all C-cells on the east side of a SuperCluster with a signal propagation time of less than 0.1 ns.

This layout of the C-cell (and the C-cell Cluster) enables the implementation of over 4,000 functions of up to five bits. For example, two C-cells can be used together to implement a four-input XOR function in a single cell delay.

The carry-chain configuration is handled automatically for the user with Microsemi's extensive macro library (please see the [Antifuse Macro Library Guide](#) for a complete listing of available Axcelerator macros).



Figure 2-27 • C-Cell

Timing Model and Waveforms



Figure 2-28 • C-Cell Timing Model and Waveforms

Timing Characteristics

Table 2-62 • C-Cell

Worst-Case Commercial Conditions $V_{CCA} = 1.425\text{ V}$, $V_{CCI} = 3.0\text{ V}$, $T_J = 70^\circ\text{C}$

Parameter	Description	-2 Speed		-1 Speed		Std Speed		Units
		Min.	Max.	Min.	Max.	Min.	Max.	
C-Cell Propagation Delays								
t_{PD}	Any input to output Y		0.74		0.84		0.99	ns
t_{PDC}	Any input to carry chain output (FCO)		0.57		0.64		0.76	ns
t_{PDB}	Any input through DB when one input is used		0.95		1.09		1.28	ns
t_{CCY}	Input to carry chain (FCI) to Y		0.61		0.69		0.82	ns
t_{CC}	Input to carry chain (FCI) to carry chain output (FCO)		0.08		0.09		0.11	ns

Carry-Chain Logic

The Axcelerator dedicated carry-chain logic offers a very compact solution for implementing arithmetic functions without sacrificing performance.

To implement the carry-chain logic, two C-cells in a Cluster are connected together so the FCO (i.e. carry out) for the two bits is generated in a carry look-ahead scheme to achieve minimum propagation delay from the FCI (i.e. carry in) into the two-bit Cluster. The two-bit carry logic is shown in [Figure 2-29](#).

The FCI of one C-cell pair is driven by the FCO of the C-cell pair immediately above it. Similarly, the FCO of one C-cell pair, drives the FCI input of the C-cell pair immediately below it ([Figure 1-4 on page 1-3](#) and [Figure 2-30 on page 2-57](#)).

The carry-chain logic is selected via the CFN input. When carry logic is not required, this signal is deasserted to save power. Again, this configuration is handled automatically for the user through Microsemi's macro library.

The signal propagation delay between two C-cells in the carry-chain sequence is 0.1 ns.



Figure 2-29 • Axcelerator's Two-Bit Carry Logic



Note: The carry-chain sequence can end on either C-cell.

Figure 2-30 • Carry-Chain Sequencing of C-Cells

Timing Characteristics

Refer to [Table 2-62](#) on [page 2-55](#) for more information on carry-chain timing.

R-Cell

Introduction

The R-cell, the sequential logic resource of the Axcelerator devices, is the second logic module type in the AX family architecture. It includes clock inputs for all eight global resources of the Axcelerator architecture as well as global presets and clears (Figure 2-31).

The main features of the R-cell include the following:

- Direct connection to the adjacent logic module through the hardwired connection DCIN. DCIN is driven by the DCOUT of an adjacent C-cell via the Direct-Connect routing resource, providing a connection with less than 0.1 ns of routing delay.
- The R-cell can be used as a standalone flip-flop. It can be driven by any C-cell or I/O modules through the regular routing structure (using DIN as a routable data input). This gives the option of using the R-Cell as a 2:1 MUXed flip-flop as well.
- Provision of data enable-input (S0).
- Independent active-low asynchronous clear (CLR).
- Independent active-low asynchronous preset (PSET). If both CLR and PSET are low, CLR has higher priority.
- Clock can be driven by any of the following (CKP selects clock polarity):
 - One of the four high performance hardwired fast clocks (HCLKs)
 - One of the four routed clocks (CLKs)
 - User signals
- Global power-on clear (GCLR) and preset (GPSET), which drive each flip-flop on a chip-wide basis.
 - When the Global Set Fuse option in the Designer software is unchecked (by default), GCLR = 0 and GPSET = 1 at device power-up. When the option is checked, GCLR = 1 and GPSET = 0. Both pins are pulled High when the device is in user mode. Refer to the "Simulation Support for GCLR/GPSET in Axcelerator" section of the [Antifuse Macro Library Guide](#) for information on simulation support for GCLR and GPSET.
- S0, S1, PSET, and CLR can be driven by routed clocks CLKE/F/G/H or user signals.
- DIN and S1 can be driven by user signals.

As with the C-cell, the configuration of the R-cell to perform various functions is handled automatically for the user through Microsemi's extensive macro library (see the [Antifuse Macro Library Guide](#) for a complete listing of available AX macros).



Figure 2-31 • R-Cell

Timing Models and Waveforms

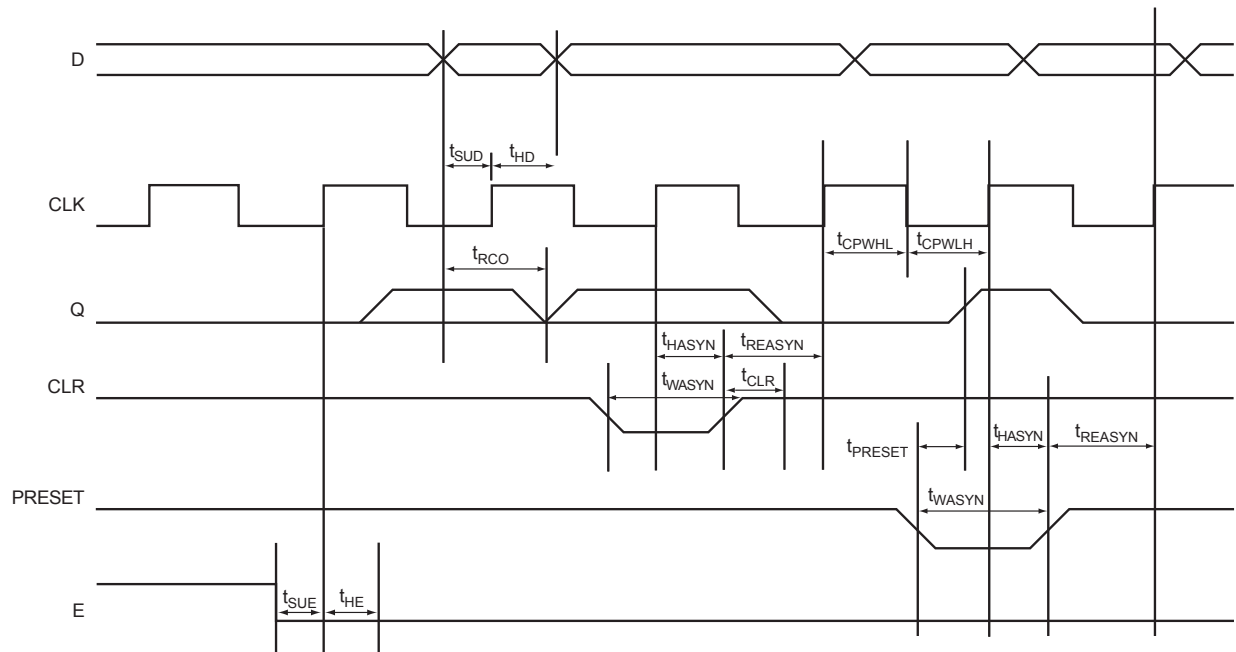


Figure 2-32 • R-Cell Delays

Timing Characteristics

Table 2-63 • R-Cell

Worst-Case Commercial Conditions $V_{CCA} = 1.425\text{ V}$, $V_{CCI} = 3.0\text{ V}$, $T_J = 70^\circ\text{C}$

Parameter	Description	-2 Speed		-1 Speed		Std Speed		Units
		Min.	Max.	Min.	Max.	Min.	Max.	
R-Cell Propagation Delays								
t_{RCO}	Sequential Clock-to-Q		0.67		0.77		0.90	ns
t_{CLR}	Asynchronous Clear-to-Q		0.67		0.77		0.90	ns
t_{PRESET}	Asynchronous Preset-to-Q		0.36		0.36		0.36	ns
t_{SUD}	Flip-Flop Data Input Set-Up		0.34		0.34		0.34	ns
t_{SUE}	Flip-Flop Enable Input Set-Up		0.00		0.00		0.00	ns
t_{HD}	Flip-Flop Data Input Hold		0.67		0.77		0.90	ns
t_{HE}	Flip-Flop Enable Input Hold		0.67		0.77		0.90	ns
t_{WASYN}	Asynchronous Pulse Width	0.48		0.48		0.48		ns
t_{REASYN}	Asynchronous Recovery Time		0.23		0.27		0.31	ns
t_{HASYN}	Asynchronous Removal Time		0.36		0.36		0.36	ns
t_{CPWHL}	Clock Pulse Width High to Low	0.36		0.36		0.36		ns
t_{CPWLH}	Clock Pulse Width Low to High	0.36		0.36		0.36		ns

Buffer Module

Introduction

An additional resource inside each SuperCluster is the Buffer (B) module (Figure 1-4 on page 1-3). When a fanout constraint is applied to a design, the synthesis tool inserts buffers as needed. The buffer module has been added to the AX architecture to avoid logic duplication resulting from the hard fanout constraints. The router utilizes this logic resource to save area and reduce loading and delays on medium-to-high-fanout nets.

Timing Models and Waveforms



Figure 2-33 • Buffer Module Timing Model



Figure 2-34 • Buffer Module Waveform

Timing Characteristics

Table 2-64 • Buffer Module

Worst-Case Commercial Conditions $V_{CCA} = 1.425\text{ V}$, $V_{CCI} = 3.0\text{ V}$, $T_j = 70^\circ\text{C}$

Parameter	Description	-2 Speed		-1 Speed		Std Speed		Units
		Min.	Max.	Min.	Max.	Min.	Max.	
Buffer Module Propagation Delays								
t_{BFPD}	Any input to output Y		0.12		0.14		0.16	ns

Routing Specifications

Routing Resources

The routing structure found in Accelerator devices enables any logic module to be connected to any other logic module while retaining high performance. There are multiple paths and routing resources that can be used to route one logic module to another, both within a SuperCluster and elsewhere on the chip.

There are four primary types of routing within the AX architecture: DirectConnect, CarryConnect, FastConnect, and Vertical and Horizontal Routing.

DirectConnect

DirectConnects provide a high-speed connection between an R-cell and its adjacent C-cell (Figure 2-35). This connection can be made from DCOUT of the C-cell to DCIN of the R-cell by configuring of the S1 line of the R-cell. This provides a connection that does not require an antifuse and has a delay of less than 0.1 ns.

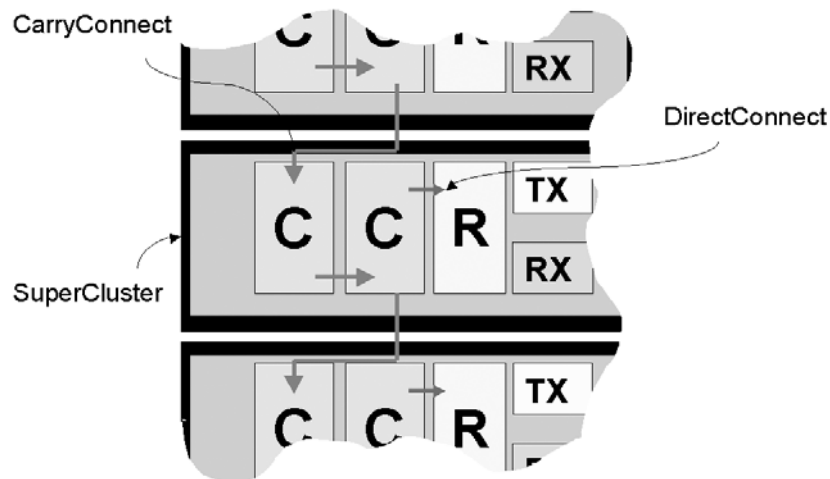


Figure 2-35 • DirectConnect and CarryConnect

CarryConnect

CarryConnects are used to build carry chains for arithmetic functions (Figure 2-35). The FCO output of the right C-cell of a two-C-cell Cluster drives the FCI input of the left C-cell in the two-C-cell Cluster immediately below it. This pattern continues down both sides of each SuperCluster column.

Similar to the DirectConnects, CarryConnects can be built without an antifuse connection. This connection has a delay of less than 0.1 ns from the FCO of one two-C-cell cluster to the FCI of the two-C-cell cluster immediately below it (see the "Carry-Chain Logic" section on page 2-56 for more information).

FastConnect

For high-speed routing of logic signals, FastConnects can be used to build a short distance connection using a single antifuse (Figure 2-36 on page 2-62). FastConnects provide a maximum delay of 0.3 ns. The outputs of each logic module connect directly to the Output Tracks within a SuperCluster. Signals on the Output Tracks can then be routed through a single antifuse connection to drive the inputs of logic modules either within one SuperCluster or in the SuperCluster immediately below it.

Vertical and Horizontal Routing

Vertical and Horizontal Tracks provide both local and long distance routing (Figure 2-37 on page 2-62). These tracks are composed of both short-distance, segmented routing and across-chip routing tracks (segmented at core tile boundaries). The short-distance, segmented routing resources can be concatenated through antifuse connections to build longer routing tracks.

These short-distance routing tracks can be used within and between SuperClusters or between modules of non-adjacent SuperClusters. They can be connected to the Output Tracks and to any logic module input (R-cell, C-cell, Buffer, and TX module).

The across-chip horizontal and vertical routing provides long-distance routing resources. These resources interface with the rest of the routing structures through the RX and TX modules (Figure 2-37). The RX module is used to drive signals from the across-chip horizontal and vertical routing to the Output Tracks within the SuperCluster. The TX module is used to drive vertical and horizontal across-chip routing from either short-distance horizontal tracks or from Output Tracks. The TX module can also be used to drive signals from vertical across-chip tracks to horizontal across-chip tracks and vice versa.

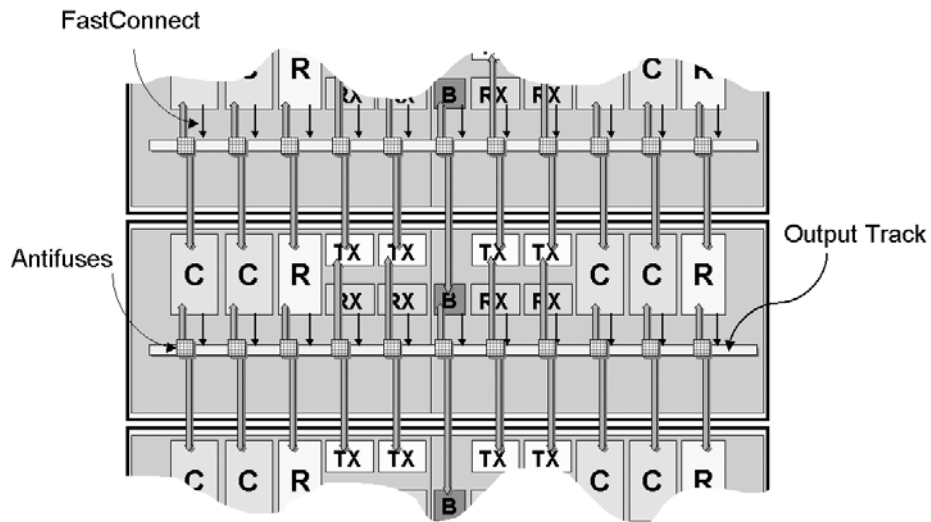


Figure 2-36 • FastConnect Routing

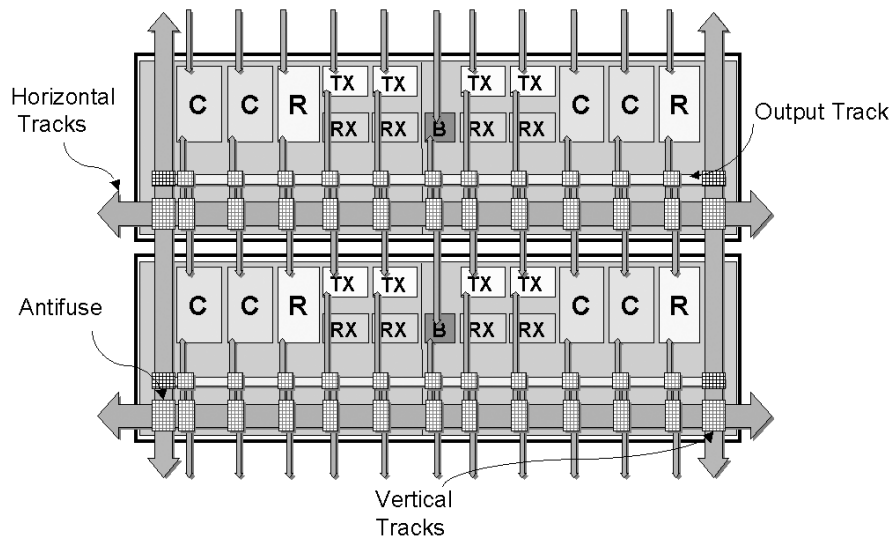


Figure 2-37 • Horizontal and Vertical Tracks

Timing Characteristics

Table 2-65 • AX125 Predicted Routing Delays
 Worst-Case Commercial Conditions VCCA = 1.425 V, T_J = 70°C

		-2 Speed	-1 Speed	Std Speed	Units
Parameter	Description	Typical	Typical	Typical	
Predicted Routing Delays					
t _{DC}	DirectConnect Routing Delay, FO1	0.11	0.12	0.15	ns
t _{FC}	FastConnect Routing Delay, FO1	0.35	0.39	0.46	ns
t _{RD1}	Routing delay for FO1	0.35	0.40	0.47	ns
t _{RD2}	Routing delay for FO2	0.38	0.43	0.51	ns
t _{RD3}	Routing delay for FO3	0.43	0.48	0.57	ns
t _{RD4}	Routing delay for FO4	0.48	0.55	0.64	ns
t _{RD5}	Routing delay for FO5	0.55	0.62	0.73	ns
t _{RD6}	Routing delay for FO6	0.64	0.72	0.85	ns
t _{RD7}	Routing delay for FO7	0.79	0.89	1.05	ns
t _{RD8}	Routing delay for FO8	0.88	0.99	1.17	ns
t _{RD16}	Routing delay for FO16	1.49	1.69	1.99	ns
t _{RD32}	Routing delay for FO32	2.32	2.63	3.10	ns

Table 2-66 • AX250 Predicted Routing Delays
 Worst-Case Commercial Conditions VCCA = 1.425 V, T_J = 70°C

		-2 Speed	-1 Speed	Std Speed	Units
Parameter	Description	Typical	Typical	Typical	
Predicted Routing Delays					
t _{DC}	DirectConnect Routing Delay, FO1	0.11	0.12	0.15	ns
t _{FC}	FastConnect Routing Delay, FO1	0.35	0.39	0.46	ns
t _{RD1}	Routing delay for FO1	0.39	0.45	0.53	ns
t _{RD2}	Routing delay for FO2	0.41	0.46	0.54	ns
t _{RD3}	Routing delay for FO3	0.48	0.55	0.64	ns
t _{RD4}	Routing delay for FO4	0.56	0.63	0.75	ns
t _{RD5}	Routing delay for FO5	0.60	0.68	0.80	ns
t _{RD6}	Routing delay for FO6	0.84	0.96	1.13	ns
t _{RD7}	Routing delay for FO7	0.90	1.02	1.20	ns
t _{RD8}	Routing delay for FO8	1.00	1.13	1.33	ns
t _{RD16}	Routing delay for FO16	2.17	2.46	2.89	ns
t _{RD32}	Routing delay for FO32	3.55	4.03	4.74	ns

Table 2-67 • AX500 Predicted Routing Delays
 Worst-Case Commercial Conditions VCCA = 1.425 V, T_J = 70°C

		-2 Speed	-1 Speed	Std Speed	
Parameter	Description	Typical	Typical	Typical	Units
Predicted Routing Delays					
t _{DC}	DirectConnect Routing Delay, FO1	0.11	0.12	0.15	ns
t _{FC}	FastConnect Routing Delay, FO1	0.35	0.39	0.46	ns
t _{RD1}	Routing delay for FO1	0.39	0.45	0.53	ns
t _{RD2}	Routing delay for FO2	0.41	0.46	0.54	ns
t _{RD3}	Routing delay for FO3	0.48	0.55	0.64	ns
t _{RD4}	Routing delay for FO4	0.56	0.63	0.75	ns
t _{RD5}	Routing delay for FO5	0.60	0.68	0.80	ns
t _{RD6}	Routing delay for FO6	0.84	0.96	1.13	ns
t _{RD7}	Routing delay for FO7	0.90	1.02	1.20	ns
t _{RD8}	Routing delay for FO8	1.00	1.13	1.33	ns
t _{RD16}	Routing delay for FO16	2.17	2.46	2.89	ns
t _{RD32}	Routing delay for FO32	3.55	4.03	4.74	ns

Table 2-68 • AX1000 Predicted Routing Delays
 Worst-Case Commercial Conditions VCCA = 1.425 V, T_J = 70°C

		-2 Speed	-1 Speed	Std Speed	
Parameter	Description	Typical	Typical	Typical	Units
Predicted Routing Delays					
t _{DC}	DirectConnect Routing Delay, FO1	0.12	0.13	0.15	ns
t _{FC}	FastConnect Routing Delay, FO1	0.35	0.39	0.46	ns
t _{RD1}	Routing delay for FO1	0.45	0.51	0.60	ns
t _{RD2}	Routing delay for FO2	0.53	0.60	0.71	ns
t _{RD3}	Routing delay for FO3	0.56	0.63	0.74	ns
t _{RD4}	Routing delay for FO4	0.63	0.71	0.84	ns
t _{RD5}	Routing delay for FO5	0.73	0.82	0.97	ns
t _{RD6}	Routing delay for FO6	0.99	1.13	1.32	ns
t _{RD7}	Routing delay for FO7	1.02	1.15	1.36	ns
t _{RD8}	Routing delay for FO8	1.48	1.68	1.97	ns
t _{RD16}	Routing delay for FO16	2.57	2.91	3.42	ns
t _{RD32}	Routing delay for FO32	4.24	4.81	5.65	ns

Table 2-69 • AX2000 Predicted Routing Delays
Worst-Case Commercial Conditions VCCA = 1.425 V, T_J = 70°C

		-2 Speed	-1 Speed	Std Speed	
Parameter	Description	Typical	Typical	Typical	Units
Predicted Routing Delays					
t _{DC}	DirectConnect Routing Delay, FO1	0.12	0.13	0.15	ns
t _{FC}	FastConnect Routing Delay, FO1	0.35	0.39	0.46	ns
t _{RD1}	Routing delay for FO1	0.50	0.56	0.66	ns
t _{RD2}	Routing delay for FO2	0.59	0.67	0.79	ns
t _{RD3}	Routing delay for FO3	0.70	0.80	0.94	ns
t _{RD4}	Routing delay for FO4	0.76	0.87	1.02	ns
t _{RD5}	Routing delay for FO5	0.98	1.11	1.31	ns
t _{RD6}	Routing delay for FO6	1.48	1.68	1.97	ns
t _{RD7}	Routing delay for FO7	1.65	1.87	2.20	ns
t _{RD8}	Routing delay for FO8	1.73	1.96	2.31	ns
t _{RD16}	Routing delay for FO16	2.58	2.92	3.44	ns
t _{RD32}	Routing delay for FO32	4.24	4.81	5.65	ns

Global Resources

One of the most important aspects of any FPGA architecture is its global resources or clocks. The Axcelerator family provides the user with flexible and easy-to-use global resources, without the limitations normally found in other FPGA architectures.

The AX architecture contains two types of global resources, the HCLK (hardwired clock) and CLK (routed clock). Every Axcelerator device is provided with four HCLKs and four CLKs for a total of eight clocks, regardless of device density.

Hardwired Clocks

The hardwired (HCLK) is a low-skew network that can directly drive the clock inputs of all sequential modules (R-cells, I/O registers, and embedded RAM/FIFOs) in the device with no antifuse in the path. All four HCLKs are available everywhere on the chip.

Timing Characteristics

Table 2-70 • AX125 Dedicated (Hardwired) Array Clock Networks
 Worst-Case Commercial Conditions $V_{CCA} = 1.425\text{ V}$, $V_{CCI} = 3.0\text{ V}$, $T_J = 70^\circ\text{C}$

Parameter	Description	-2 Speed		-1 Speed		Std Speed		Units
		Min.	Max.	Min.	Max.	Min.	Max.	
Dedicated (Hardwired) Array Clock Networks								
t_{HCKL}	Input Low to High		3.02		3.44		4.05	ns
t_{HCKH}	Input High to Low		3.03		3.46		4.06	ns
t_{HPWH}	Minimum Pulse Width High	0.58		0.65		0.77		ns
t_{HPWL}	Minimum Pulse Width Low	0.52		0.59		0.69		ns
t_{HCKSW}	Maximum Skew		0.06		0.07		0.08	ns
t_{HP}	Minimum Period	1.15		1.31		1.54		ns
t_{HMAX}	Maximum Frequency		870		763		649	MHz

Table 2-71 • AX250 Dedicated (Hardwired) Array Clock Networks
 Worst-Case Commercial Conditions $V_{CCA} = 1.425\text{ V}$, $V_{CCI} = 3.0\text{ V}$, $T_J = 70^\circ\text{C}$

Parameter	Description	-2 Speed		-1 Speed		Std Speed		Units
		Min.	Max.	Min.	Max.	Min.	Max.	
Dedicated (Hardwired) Array Clock Networks								
t_{HCKL}	Input Low to High		2.57		2.93		3.45	ns
t_{HCKH}	Input High to Low		2.61		2.97		3.50	ns
t_{HPWH}	Minimum Pulse Width High	0.58		0.65		0.77		ns
t_{HPWL}	Minimum Pulse Width Low	0.52		0.59		0.69		ns
t_{HCKSW}	Maximum Skew		0.06		0.07		0.08	ns
t_{HP}	Minimum Period	1.15		1.31		1.54		ns
t_{HMAX}	Maximum Frequency		870		763		649	MHz

Table 2-72 • AX500 Dedicated (Hardwired) Array Clock Networks
Worst-Case Commercial Conditions VCCA = 1.425 V, VCCI = 3.0 V, T_J = 70°C

		-2 Speed		-1 Speed		Std Speed		
Parameter	Description	Min.	Max.	Min.	Max.	Min.	Max.	Units
Dedicated (Hardwired) Array Clock Networks								
t _{HCKL}	Input Low to High		2.35		2.68		3.15	ns
t _{HCKH}	Input High to Low		2.44		2.79		3.27	ns
t _{HPWH}	Minimum Pulse Width High	0.58		0.65		0.77		ns
t _{HPWL}	Minimum Pulse Width Low	0.52		0.59		0.69		ns
t _{HCKSW}	Maximum Skew		0.06		0.07		0.08	ns
t _{HP}	Minimum Period	1.15		1.31		1.54		ns
t _{HMAX}	Maximum Frequency		870		763		649	MHz

Table 2-73 • AX1000 Dedicated (Hardwired) Array Clock Networks
Worst-Case Commercial Conditions VCCA = 1.425 V, VCCI = 3.0 V, T_J = 70°C

		-2 Speed		-1 Speed		Std Speed		
Parameter	Description	Min.	Max.	Min.	Max.	Min.	Max.	Units
Dedicated (Hardwired) Array Clock Networks								
t _{HCKL}	Input Low to High		3.02		3.44		4.05	ns
t _{HCKH}	Input High to Low		3.03		3.46		4.06	ns
t _{HPWH}	Minimum Pulse Width High	0.58		0.65		0.77		ns
t _{HPWL}	Minimum Pulse Width Low	0.52		0.59		0.69		ns
t _{HCKSW}	Maximum Skew		0.06		0.07		0.08	ns
t _{HP}	Minimum Period	1.15		1.31		1.54		ns
t _{HMAX}	Maximum Frequency		870		763		649	MHz

Table 2-74 • AX2000 Dedicated (Hardwired) Array Clock Networks
Worst-Case Commercial Conditions VCCA = 1.425 V, VCCI = 3.0 V, T_J = 70°C

		-2 Speed		-1 Speed		Std Speed		
Parameter	Description	Min.	Max.	Min.	Max.	Min.	Max.	Units
Dedicated (Hardwired) Array Clock Networks								
t _{HCKL}	Input Low to High		3.02		3.44		4.05	ns
t _{HCKH}	Input High to Low		3.03		3.46		4.06	ns
t _{HPWH}	Minimum Pulse Width High	0.58		0.65		0.77		ns
t _{HPWL}	Minimum Pulse Width Low	0.52		0.59		0.69		ns
t _{HCKSW}	Maximum Skew		0.06		0.07		0.08	ns
t _{HP}	Minimum Period	1.15		1.31		1.54		ns
t _{HMAX}	Maximum Frequency		870		763		649	MHz

Routed Clocks

The routed clock (CLK) is a low-skew network that can drive the clock inputs of all sequential modules in the device (logically equivalent to the HCLK), but has the added flexibility in that it can drive the S0 (Enable), S1, PSET, and CLR input of a register (R-cells and I/O registers) as well as any of the inputs of any C-cell in the device. This allows CLKs to be used not only as clocks, but also for other global signals or high fanout nets. All four CLKs are available everywhere on the chip.

Timing Characteristics

Table 2-75 • AX125 Routed Array Clock Networks

Worst-Case Commercial Conditions VCCA = 1.425 V, VCCI = 3.0 V, T_J = 70°C

Parameter	Description	–2 Speed		–1 Speed		Std Speed		Units
		Min.	Max.	Min.	Max.	Min.	Max.	
Routed Array Clock Networks								
t _{RCKL}	Input Low to High		3.08		3.50		4.12	ns
t _{RCKH}	Input High to Low		3.13		3.56		4.19	ns
t _{RPWH}	Minimum Pulse Width High	0.57		0.64		0.75		ns
t _{RPWL}	Minimum Pulse Width Low	0.52		0.59		0.69		ns
t _{RCKSW}	Maximum Skew		0.35		0.39		0.46	ns
t _{RP}	Minimum Period	1.15		1.31		1.54		ns
t _{RMAX}	Maximum Frequency		870		763		649	MHz

Table 2-76 • AX250 Routed Array Clock Networks

Worst-Case Commercial Conditions VCCA = 1.425 V, VCCI = 3.0 V, T_J = 70°C

Parameter	Description	–2 Speed		–1 Speed		Std Speed		Units
		Min.	Max.	Min.	Max.	Min.	Max.	
Routed Array Clock Networks								
t _{RCKL}	Input Low to High		2.52		2.87		3.37	ns
t _{RCKH}	Input High to Low		2.59		2.95		3.47	ns
t _{RPWH}	Minimum Pulse Width High	0.57		0.64		0.75		ns
t _{RPWL}	Minimum Pulse Width Low	0.52		0.59		0.69		ns
t _{RCKSW}	Maximum Skew		0.35		0.39		0.46	ns
t _{RP}	Minimum Period	1.15		1.31		1.54		ns
t _{RMAX}	Maximum Frequency		870		763		649	MHz

Table 2-77 • AX500 Routed Array Clock Networks
Worst-Case Commercial Conditions VCCA = 1.425 V, VCCI = 3.0 V, T_J = 70°C

		-2 Speed		-1 Speed		Std Speed		
Parameter	Description	Min.	Max.	Min.	Max.	Min.	Max.	Units
Routed Array Clock Networks								
t _{RCKL}	Input Low to High		2.31		2.63		3.09	ns
t _{RCKH}	Input High to Low		2.44		2.78		3.27	ns
t _{RPWH}	Minimum Pulse Width High	0.57		0.64		0.75		ns
t _{RPWL}	Minimum Pulse Width Low	0.52		0.59		0.69		ns
t _{RCKSW}	Maximum Skew		0.35		0.39		0.46	ns
t _{RP}	Minimum Period	1.15		1.31		1.54		ns
t _{RMAX}	Maximum Frequency		870		763		649	MHz

Table 2-78 • AX1000 Routed Array Clock Networks
Worst-Case Commercial Conditions VCCA = 1.425 V, VCCI = 3.0 V, T_J = 70°C

		-2 Speed		-1 Speed		Std Speed		
Parameter	Description	Min.	Max.	Min.	Max.	Min.	Max.	Units
Routed Array Clock Networks								
t _{RCKL}	Input Low to High		3.08		3.50		4.12	ns
t _{RCKH}	Input High to Low		3.13		3.56		4.19	ns
t _{RPWH}	Minimum Pulse Width High	0.57		0.64		0.75		ns
t _{RPWL}	Minimum Pulse Width Low	0.52		0.59		0.69		ns
t _{RCKSW}	Maximum Skew		0.35		0.39		0.46	ns
t _{RP}	Minimum Period	1.15		1.31		1.54		ns
t _{RMAX}	Maximum Frequency		870		763		649	MHz

Table 2-79 • AX2000 Routed Array Clock Networks
Worst-Case Commercial Conditions VCCA = 1.425 V, VCCI = 3.0 V, T_J = 70°C

		-2 Speed		-1 Speed		Std Speed		
Parameter	Description	Min.	Max.	Min.	Max.	Min.	Max.	Units
Routed Array Clock Networks								
t _{RCKL}	Input Low to High		3.08		3.50		4.12	ns
t _{RCKH}	Input High to Low		3.13		3.56		4.19	ns
t _{RPWH}	Minimum Pulse Width High	0.57		0.64		0.75		ns
t _{RPWL}	Minimum Pulse Width Low	0.52		0.59		0.69		ns
t _{RCKSW}	Maximum Skew		0.35		0.39		0.46	ns
t _{RP}	Minimum Period	1.15		1.31		1.54		ns
t _{RMAX}	Maximum Frequency		870		763		649	MHz

Global Resource Distribution

At the root of each global resource is a PLL. There are two groups of four PLLs for every device. One group, located at the center of the north edge (in the I/O ring) of the chip, sources the four HCLKs. The second group, located at the center of the south edge (again in the I/O ring), sources the four CLKs (Figure 2-38).

Regardless of the type of global resource, HCLK or CLK, each of the eight resources reach the ClockTileDist (CTD) Cluster located at the center of every core tile with zero skew. From the ClockTileDist Cluster, all four HCLKs and four CLKs are distributed through the core tile (Figure 2-39).



Figure 2-38 • PLL Group



Figure 2-39 • Example of HCLK and CLK Distributions on the AX2000

The ClockTileDist Cluster contains an HCLKMux (HM) module for each of the four HCLK trees and a CLKMux (CM) module for each of the CLK trees. The HCLK branches then propagate horizontally through the middle of the core tile to HCLKColDist (HD) modules in every SuperCluster column. The CLK branches propagate vertically through the center of the core tile to CLKRowDist (RD) modules in every SuperCluster row. Together, the HCLK and CLK branches provide for a low-skew global fanout within the core tile (Figure 2-40 and Figure 2-41).



Figure 2-40 • CTD, CD, and HD Module Layout

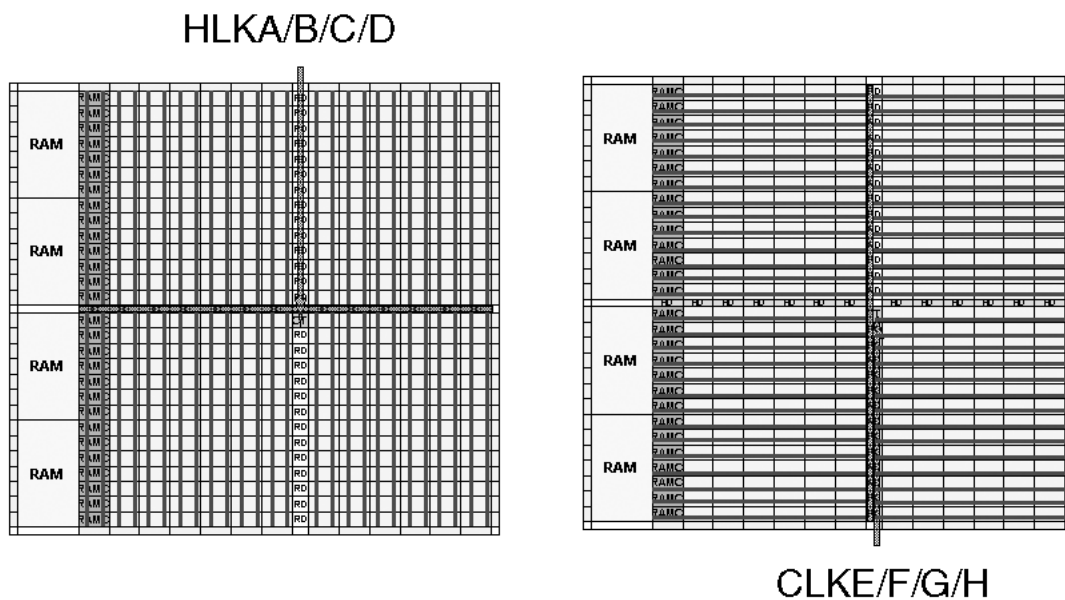


Figure 2-41 • HCLK and CLK Distribution within a Core Tile

The HM and CM modules can select between:

- The HCLK or CLK source respectively
- A local signal routed on generic routing resources

This allows each core tile to have eight clocks independent of the other core tiles in the device.

Both HCLK and CLK are segmentable, meaning that individual branches of the global resource can be used independently.

Like the HM and CM modules, the HD and RD modules can select between:

- The HCLK or CLK source from the HM or CM module respectively
- A local signal routed on generic routing resources

The AX architecture is capable of supporting a large number of local clocks—24 segments per HCLK driving north-south and 28 segments per CLK driving east-west per core tile.

Microsemi's Designer software's place-and-route takes advantage of the segmented clock structure found in Axcelerator devices by turning off any unused clock segments. This results in not only better performance but also lower power consumption.

Global Resource Access Macros

Global resources can be driven by one of three sources: external pad(s), an internal net, or the output of a PLL. These connections can be made by using one of three types of macros: CLKBUF, CLKINT, and PLLCLK.

CLKBUF and HCLKBUF

CLKBUF (HCLKBUF) is used to drive a CLK (HCLK) from external pads. These macros can be used either generically or with the specific I/O standard desired (e.g. CLKBUF_LVCMOS25, HCLKBUF_LVDS, etc.) (Figure 2-42).

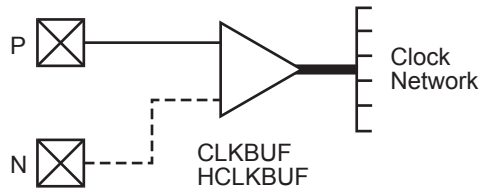


Figure 2-42 • CLKBUF and HCLKBUF

Package pins CLKEP and CLKEN are associated with CLKE; package pins HCLKAP and HCLKAN are associated with HCLKA, etc.

Note that when CLKBUF (HCLKBUF) is used with a single-ended I/O standard, it must be tied to the P-pad of the CLK (HCLK) package pin. In this case, the CLK (HCLK) N-pad can be used for user signals.

CLKINT and HCLKINT

CLKINT (HCLKINT) is used to access the CLK (HCLK) resource internally from the user signals (Figure 2-43).

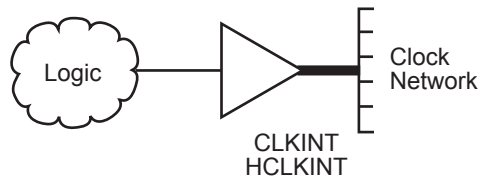


Figure 2-43 • CLKINT and HCLKINT

PLLCLK and PLLHCLK

PLLCLK (PLLHCLK) is used to drive global resource CLK (HCLK) from a PLL (Figure 2-44).



Figure 2-44 • PLLRCLK and PLLHCLK

Using Global Resources with PLLs

Each global resource has an associated PLL at its root. For example, PLLA can drive HCLKA, PLLE can drive CLKE, etc. (Figure 2-45).



Figure 2-45 • Example of HCLKA Driven from a PLL with External Clock Source

In addition, each clock pin of the package can be used to drive either its associated global resource or PLL. For example, package pins CLKEP and CLKEN can drive either the RefCLK input of PLLE or CLKE.

There are two macros required when interfacing the embedded PLLs with the global resources: PLLINT and PLLOUT.

PLLINT

This macro is used to drive the RefCLK input of the PLL internally from user signals.

PLLOUT

This macro is used to connect either the CLK1 or CLK2 output of a PLL to the regular routing network (Figure 2-46).

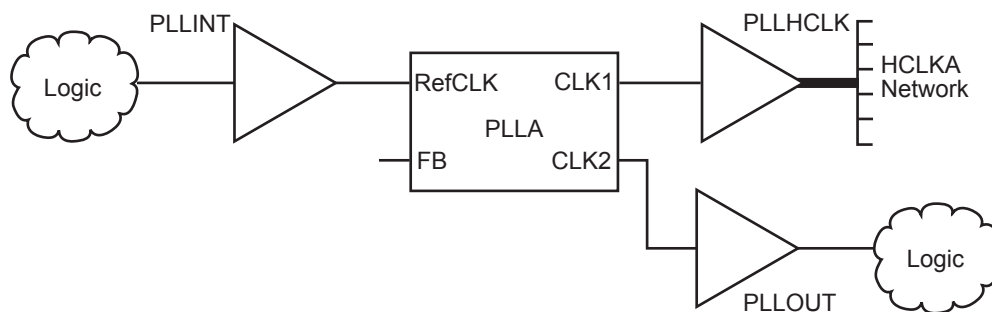


Figure 2-46 • Example of PLLINT and PLLOUT Usage

Implementation Example:

Figure 2-47 shows a complex clock distribution example. The reference clock (RefCLK) of PLLE is being sourced from non-clock signal pins (INBUF to PLLINT). The CLK1 output of PLLE is being fed to the RefCLK input of PLLF. The CLK2 output of PLLE is driving logic (via PLLOUT). In turn, this logic is driving the global resource CLKE. PLLF is driving both CLKF and CLKG global resources.



Figure 2-47 • Complex Clock Distribution Example

Axcelerator Clock Management System

Introduction

Each member of the Axcelerator family⁶ contains eight phase-locked loop (PLL) blocks which perform the following functions:

- Programmable Delay (32 steps of 250 ps)
- Clock Skew Minimization
- Clock Frequency Synthesis

Each PLL has the following key features:

- Input Frequency Range – 14 to 200 MHz
- Output Frequency Range – 20 MHz to 1 GHz
- Output Duty Cycle Range – 45% to 55%
- Maximum Long-Term Jitter – 1% or 100ps (whichever is greater)
- Maximum Short-Term Jitter – 50ps + 1% of Output Frequency
- Maximum Acquisition Time (lock) – 20 μ s

Physical Implementation

The eight PLL blocks are arranged in two groups of four. One group is located in the center of the northern edge of the chip, while the second group is centered on the southern edge. The northern group is associated with the four HCLK networks (e.g. PLLA can drive HCLKA), while the southern group is associated with the four CLK networks (e.g. PLLE can drive CLKE).

Each PLL cell is connected to two I/O pads and a PLL Cluster that interfaces with the FPGA core. [Figure 2-48](#) illustrates a PLL block. The VCCPLL pin should be connected to a 1.5V power supply through a 250 Ω resistor. Furthermore, 0.1 μ F and 10 μ F decoupling capacitors should be connected across the VCCPLL and VCOMPPLL pins.

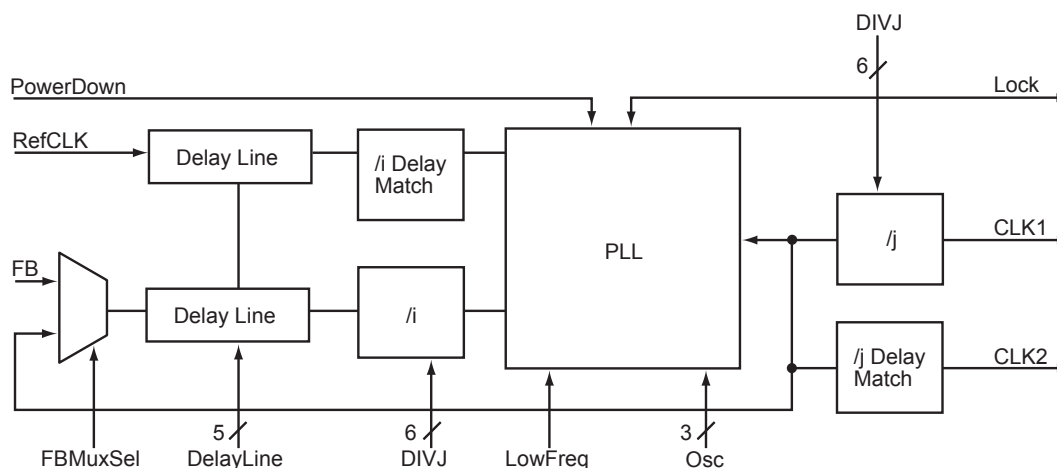


Figure 2-48 • PLL Block Diagram

Note: The VCOMPPLL pin should never be grounded ([Figure 2-2 on page 2-9](#))!

The I/O pads associated with the PLL can also be configured for regular I/O functions except when it is used as a clock buffer. The I/O pads can be configured in all the modes available to the regular I/O pads in the same I/O bank. In particular, the [H]CLKxP pad can be configured as a differential pair,

6. AX2000-CQ256 does not support operation of the phase-locked loops. This is in order to support full pin compatibility with RTAX2000S/SL-CQ256.

single-ended, or voltage-referenced standard. The [H]CLKxN pad can only be used as a differential pair with [H]CLKxP.

The block marked “i Delay Match” is a fixed delay equal to that of the i divider. The “j Delay Match” block has the same function as its j divider counterpart.

Functional Description

Figure 2-48 on page 2-75 illustrates a block diagram of the PLL. The PLL contains two dividers, i and j, that allow frequency scaling of the clock signal:

- The i divider in the feedback path allows multiplication of the input clock by integer factors ranging from 1 to 64, and the resultant frequency is available at the output of the PLL block.
- The j divider divides the PLL output by integer factors ranging from 1 to 64, and the divided clock is available at CLK1.
- The two dividers together can implement any combination of multiplication and division up to a maximum frequency of 1 GHz on CLK1. Both the CLK1 and CLK2 outputs have a fixed 50/50 duty cycle.
- The output frequencies of the two clocks are given by the following formulas (f_{REF} is the reference clock frequency):

$$f_{CLK1} = f_{REF} * (DividerI) / (DividerJ)$$

EQ 4

$$f_{CLK2} = f_{REF} * (DividerI)$$

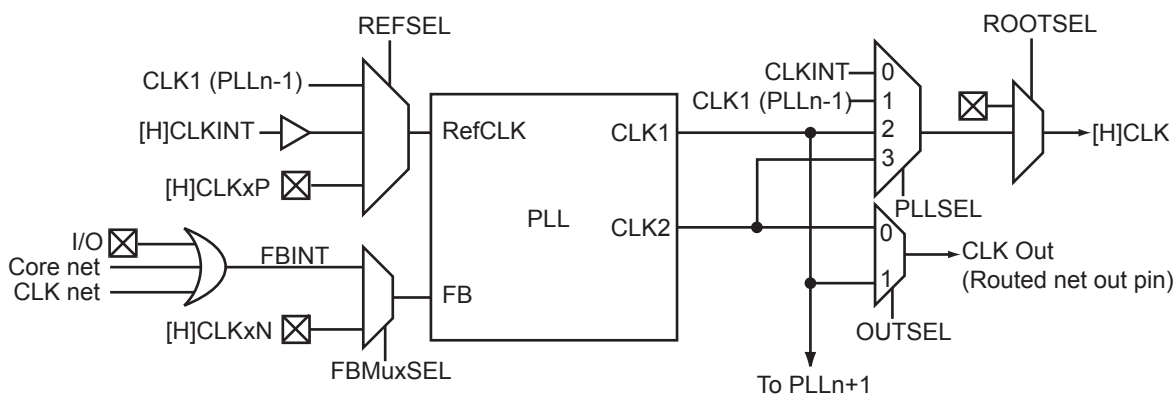
EQ 5

- CLK2 provides the PLL output directly—without division

The input and output frequency ranges are selected by LowFreq and Osc(2:0), respectively. These functions and their possible values are detailed in Table 2-80 on page 2-77.

The delay lines shown in Figure 2-48 on page 2-75 are programmable. The feedback clock path can be delayed (using the five DelayLine bits) relative to the reference clock (or vice versa) by up to 3.75 ns in increments of 250 ps. Table 2-80 on page 2-77 describes the usage of these bits. The delay increments are independent of frequency, so this results in phase changes that vary with frequency. The delay value is highly dependent on V_{CC} and the speed grade.

Figure 2-49 is a logical diagram of the various control signals to the PLL and shows how the PLL interfaces with the global and routing networks of the FPGA. Note that not all signals are user-accessible. These non-user-accessible signals are used by the place-and-route tool to control the configuration of the PLL. The user gains access to these control signals either based upon the connections built in the user's design or through the special macros (Table 2-84 on page 2-81) inserted into the design. For example, connecting the macro PLLOUT to CLK2 will control the OUTSEL signal.



Note: Not all signals are available to the user.

Figure 2-49 • PLL Logical Interface

Table 2-80 • PLL Interface Signals

Signal Name	Type	User Accessible	Allowable Values	Function
RefCLK	Input	Yes		Reference Clock for the PLL
FB	Input	Yes		Feedback port for the PLL
PowerDown	Input	Yes		PLL power down control
			0	PLL powered down
			1	PLL active
DIVI[5:0]	Input	Yes	1 to 64, in unsigned binary notation offset by -1	Sets value for feedback divider (multiplier)
DIVJ[5:0]	Input	Yes		Sets value for CLK1 divider
LowFreq	Input	Yes		Input frequency range selector
			0	50–200 MHz
			1	14–50 MHz
Osc[2:0]	Input	Yes		Output frequency range selector
			XX0	400–1000 MHz
			001	200–400 MHz
			011	100–200 MHz
			101	50–100 MHz
			111	20–50 MHz
DelayLine[4:0]	Input	Yes	–15 to +15 (increments), in signed-and-magnitude binary representation	Clock Delay (positive/negative) in increments of 250 ps, with maximum value of ± 3.75 ns
FBMuxSel	Input	No		Selects the source for the feedback input
REFSEL	Input	No		Selects the source for the reference clock
OUTSEL	Input	No		Selects the source for the routed net output
PLLSEL	Input	No		ROOTSEL & PLLSEL are used to select the source of the global clock network
ROOTSEL	Input	No		
Lock	Output	Yes		High value indicates PLL has locked
CLK1	Output	Yes		PLL clock output
CLK2	Output	Yes		PLL clock output

Note: If the input RefClk is taken outside its operating range, the outputs Lock, CLK1 and CLK2 are indeterminate.

PLL Configurations

The following rules apply to the different PLL inputs and outputs:

Reference Clock

The RefCLK can be driven by (Figure 2-50):

1. Global routed clocks (CLKE/F/G/H) or user-created clock network
2. CLK1 output of an adjacent PLL
3. [H]CLKxP (single-ended or voltage-referenced)
4. [H]CLKxP/[H]CLKxN pair (differential modes like LVPECL or LVDS)

Feedback Clock

The feedback clock can be driven by (Figure 2-51 on page 2-78):

1. Global routed clocks (CLKE/F/G/H) or user-created clock network
2. External [H]CLKxP/N I/O pad(s) from the adjacent PLL cell
3. An internal signal from the PLL block



Figure 2-50 • Reference Clock Connections



Figure 2-51 • Feedback Clock Connections

CLK1 and CLK2

Both PLL outputs, CLK1 and CLK2, can be used to drive a global resource, an adjacent PLL RefCLK input, or a net in the FPGA core. Not all drive combinations are possible (Table 2-81).

Table 2-81 • PLL General Connections Rules

CLK1	CLK2
HCLK	HCLK
CLK	CLK
HCLK	Routed net output
Routed net output	HCLK
HCLK	NONE
NONE	HCLK
CLK	NONE
NONE	CLK

Note: The PLL outputs remain Low when REFCLK is constant (either Low or High).

Restrictions on CLK1 and CLK2

- When both are driving global resources, they must be driving the same *type* of global resource (i.e. either HCLK or CLK).
- Only one can drive a routed net at any given time.

Table 2-82 and Table 2-83 specify all the possible CLK1 and CLK2 connections for the north and south PLLs. HCLK1 and HCLK2 are used to denote the different HCLK networks when two are being driven at the same time by a single PLL (Note that HCLK1 is the primary clock resource associated with the PLL, and HCLK2 is the clock resource associated with the adjacent PLL). Likewise, CLK1 and CLK2 are used to denote the different CLK networks when two are being driven at the same time by a single PLL (Figure 2-48 on page 2-75).

Table 2-82 • North PLL Connections

CLK1	CLK2
HCLK1	Routed net
HCLK1	Unused
HCLK2	HCLK1
HCLK2	Routed net
HCLK2	Both HCLK1 and routed net
HCLK2	Unused
Unused	HCLK1
Unused	Routed net
Unused	Both HCLK1 and routed net
Unused	Unused
Routed net	HCLK1
Routed net	Unused
Both HCLK1 and HCLK2	Routed net
Both HCLK1 and HCLK2	Unused
Both HCLK1 and routed net	Unusable
Both HCLK2 and routed net	HCLK1
Both HCLK2 and routed net	Unused
HCLK1, HCLK2, and routed net	Unusable

Note: Designer software currently does not support all of these connections. Only exclusive connections where one output connects to a single net are supported at this time (e.g. CLK1 driving HCLK1, and HCLK2 is not supported).

Table 2-83 • South PLL Connections

CLK1	CLK2
CLK1	Routed net
CLK1	Unused
CLK2	CLK1
CLK2	Routed net
CLK2	Both CLK1 and routed net
CLK2	Unused
Unused	CLK1
Unused	Routed net
Unused	Both CLK1 and routed net
Unused	Unused
Routed net	CLK1
Routed net	Unused
Both CLK1 and CLK2	Routed net
Both CLK1 and CLK2	Unused
Both CLK1 and routed net	Unusable
Both CLK2 and routed net	CLK1
Both CLK2 and routed net	Unused
CLK1, CLK2, and routed net	Unusable

Note: Designer software currently does not support all of these connections. Only exclusive connections where one output connects to a single net are supported at this time (e.g., CLK1 driving both CLK1 and CLK2 is not supported).

Special PLL Macros

Table 2-84 shows the macros used to connect the RefCLK input and CLK1 and CLK2 outputs using the different routing resources.

Table 2-84 • PLL Special Macros

Macro Name	Usage
PLLINT	Connects RefCLK to a regular routed net or a pad.
PLLCLK	Connects CLK1 or CLK2 to the CLK network.
PLLHCLK	Connects CLK1 or CLK2 to the HCLK network.
PLLOUT	Connects CLK1 or CLK2 to a regular routed net.

Table 2-85 • Electrical Specifications

Parameter	Value	Notes
Frequency Ranges		
Reference Frequency (min.)	14 MHz	Lowest input frequency
Reference Frequency (max.)	200 MHz	Highest input frequency
OSC Frequency (min.)	20 MHz	Lowest output frequency
OSC Frequency (max.)	1 GHz	Highest output frequency
Jitter		
Long-Term Jitter (max.)	1%	Percentage of period, low reference clock frequencies
Long-Term Jitter (max.)	100ps	High reference clock frequencies
Short-Term Jitter (max.)	50ps+1%	Percentage of output frequency
Acquisition Time (lock) from Cold Start		
Acquisition Time (max.)*	400 cycles	Period of low reference clock frequencies
Acquisition Time (max.)*	1.5 μ s	High reference clock frequencies
Power Consumption		
Analog Supply Current (low freq.)	200 μ A	Current at minimum oscillator frequency
Analog Supply Current (high freq.)	200 μ A	Frequency-dependent current
Digital Supply Current (low freq.)	0.5 μ A/MHz	Current at maximum oscillator frequency, unloaded
Digital Supply Current (high freq.)	1 μ A/MHz	Frequency-dependent current
Duty Cycle		
Minimum Output Duty Cycle	45%	
Maximum Output Duty Cycle	55%	

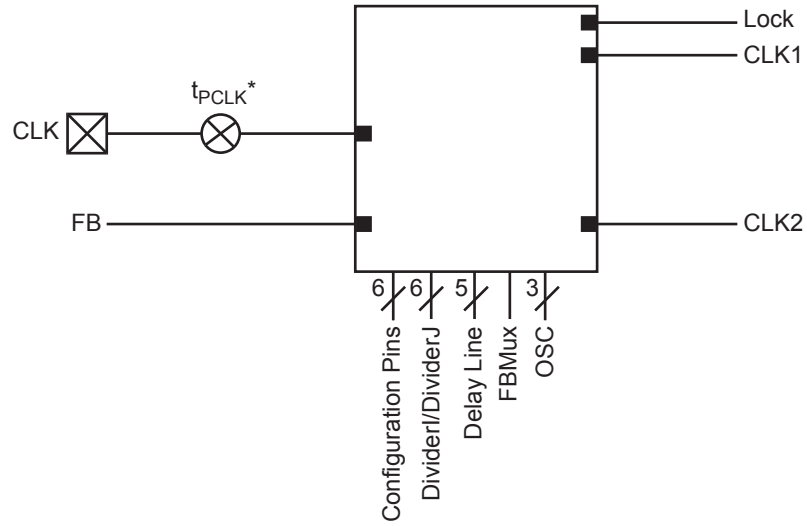
Note: *The lock bit remains Low until RefCLK reaches the minimum input frequency.

User Flow

There are two methods of including a PLL in a design:

- The recommended method of using a PLL is to create custom PLL blocks using Microsemi's macro generator, SmartGen, that can be instantiated in a design.
- The alternative method is to instantiate one of the generic library primitives (PLL or PLLFB) into either a schematic or HDL netlist, using inverters for polarity control and tying all unused address and data bits to ground.

Timing Model



Note: t_{PCLK} is the delay in the clock signal

Figure 2-52 • PLL Model

Sample Implementations

Frequency Synthesis

Figure 2-53 illustrates an example where the PLL is used to multiply a 155.5 MHz external clock up to 622 MHz. Note that the same PLL schematic could use an external 350 MHz clock, which is divided down to 155 MHz by the FPGA internal logic.

Figure 2-54 illustrates the PLL using both dividers to synthesize a 133 MHz output clock from a 155 MHz input reference clock. The input frequency of 155 MHz is multiplied by 6 and divided by 7, giving a CLK1 output frequency of 132.86 MHz. When dividers are used, a given ratio can be generated in multiple ways, allowing the user to stay within the operating frequency ranges of the PLL.



Figure 2-53 • Using the PLL 155.5 MHz In, 622 MHz Out

Adjustable Clock Delay

Figure 2-55 illustrates using the PLL to delay the reference clock by employing one of the adjustable delay lines. In this case, the output clock is delayed relative to the reference clock. Delaying the reference clock relative to the output clock is accomplished by using the delay line in the feedback path.



Figure 2-54 • Using the PLL 155 MHz In, 133 MHz Out



Figure 2-55 • Using the PLL Delaying the Reference Clock

Clock Skew Minimization

Figure 2-56 indicates how feedback from the clock network can be used to create minimal skew between the distributed clock network and the input clock. The input clock is fed to the reference clock input of the PLL. The output clock (CLK2) feeds a routed clock network. The feedback input to the PLL uses a clock input delayed by a routing network. The PLL then adjusts the phase of the input clock to match the delayed clock, thus providing nearly zero effective skew between the two clocks. Refer to the *Accelerator Family PLL and Clock Management* application note for more information.



Figure 2-56 • Using the PLL for Clock Deskewing

Embedded Memory

The AX architecture provides extensive, high-speed memory resources to the user. Each 4,608 bit block of RAM contains its own embedded FIFO controller, allowing the user to configure each block as either RAM or FIFO.

To meet the needs of high performance designs, the memory blocks operate in synchronous mode for both read and write operations. However, the read and write clocks are completely independent, and each may operate up to and above 500 MHz.

No additional core logic resources are required to cascade the address and data buses when cascading different RAM blocks. Dedicated routing runs along each column of RAM to facilitate cascading.

The AX memory block includes dedicated FIFO control logic to generate internal addresses and external flag logic (FULL, EMPTY, AFULL, AEMPTY). Since read and write operations can occur asynchronously to one another, special control circuitry is included to prevent metastability, overflow, and underflow. A block diagram of the memory module is illustrated in [Figure 2-57](#).

During RAM operation, read (RA) and write (WA) addresses are sourced by user logic and the FIFO controller is ignored. In FIFO mode, the internal addresses are generated by the FIFO controller and routed to the RAM array by internal MUXes. Enables with programmable polarity are provided to create upper address bits for cascading up to 16 memory blocks. When cascading memory blocks, the bussed signals WA, WD, WEN, RA, RD, and REN are internally linked to eliminate external routing congestion.



Figure 2-57 • Accelerator Memory Module

RAM

Each memory block consists of 4,608 bits that can be organized as 128x36, 256x18, 512x9, 1kx4, 2kx2, or 4kx1 and are cascadable to create larger memory sizes. This allows built-in bus width conversion (Table 2-86). Each block has independent read and write ports which enable simultaneous read and write operations.

Table 2-86 • Memory Block WxD Options

Data-word (in bits)	Depth	Address Bus	Data Bus
1	4,096	RA/WA[11:0]	RD/WD[0]
2	2,048	RA/WA[10:0]	RD/WD[1:0]
4	1,024	RA/WA[9:0]	RD/WD[3:0]
9	512	RA/WA[8:0]	RD/WD[8:0]
18	256	RA/WA[7:0]	RD/WD[17:0]
36	128	RA/WA[6:0]	RD/WD[35:0]

Clocks

The RCLK and the WCLK have independent source polarity selection and can be sourced by any global or local signal.

RAM Configurations

The AX architecture allows the read side and write side of RAMs to be organized independently, allowing for bus conversion. For example, the write side can be set to 256x18 and the read side to 512x9.

Both the write width and read width for the RAM blocks can be specified independently and changed dynamically with the WW (write width) and RW (read width) pins. The D x W different configurations are: 128 x 36, 256 x 18, 512 x 9, 1k x 4, 2k x 2, and 4k x 1. The allowable RW and WW values are shown in Table 2-87.

Table 2-87 • Allowable RW and WW Values

RW(2:0)	WW(2:0)	D x W
000	000	4k x 1
001	001	2k x 2
010	010	1k x 4
011	011	512 x 9
100	100	256 x 18
101	101	128 x 36
11x	11x	reserved

When widths of one, two, and four are selected, the ninth bit is unused. For example, when writing nine-bit values and reading four-bit values, only the first four bits and the second four bits of each nine-bit value are addressable for read operations. The ninth bit is not accessible. Conversely, when writing four-bit values and reading nine-bit values, the ninth bit of a read operation will be undefined.

Note that the RAM blocks employ little-endian byte order for read and write operations.

Table 2-88 • RAM Signal Description

Signal	Direction	Description
WCLK	Input	Write clock (can be active on either edge).
WA[J:0]	Input	Write address bus. The value J is dependent on the RAM configuration and the number of cascaded memory blocks. The valid range for J is from 6 to 15.
WD[M-1:0]	Input	Write data bus. The value M is dependent on the RAM configuration and can be 1, 2, 4, 9, 18, or 36.
RCLK	Input	Read clock (can be active on either edge).
RA[K:0]	Input	Read address bus. The value K is dependent on the RAM configuration and the number of cascaded memory blocks. The valid range for K is from 6 to 15.
RD[N-1:0]	Output	Read data bus. The value N is dependent on the RAM configuration and can be 1, 2, 4, 9, 18, or 36.
REN	Input	Read enable. When this signal is valid on the active edge of the clock, data at location RA will be driven onto RD.
WEN	Input	Write enable. When this signal is valid on the active edge of the clock, WD data will be written at location WA.
RW[2:0]	Input	Width of the read operation dataword.
WW[2:0]	Input	Width of the write operation dataword.
Pipe	Input	Sets the pipe option to be on or off.

Modes of Operation

There are two read modes and one write mode:

- Read Nonpipelined (synchronous – one clock edge)
- Read Pipelined (synchronous – two clock edges)
- Write (synchronous – one clock edge)

In the standard read mode, new data is driven onto the RD bus in the clock cycle immediately following RA and REN valid. The read address is registered on the read-port active-clock edge and data appears at read-data after the RAM access time. Setting the PIPE to OFF enables this mode.

The pipelined mode incurs an additional clock delay from address to data, but enables operation at a much higher frequency. The read-address is registered on the read-port active-clock edge, and the read data is registered and appears at RD after the second read clock edge. Setting the PIPE to ON enables this mode.

On the write active-clock edge, the write data are written into the SRAM at the write address when WEN is high. The setup time of the write address, write enables, and write data are minimal with respect to the write clock.

Write and read transfers are described with timing requirements beginning in the "[Timing Characteristics](#)" section on page 2-89.

Timing Characteristics



Figure 2-58 • SRAM Model



Figure 2-59 • RAM Write Timing Waveforms

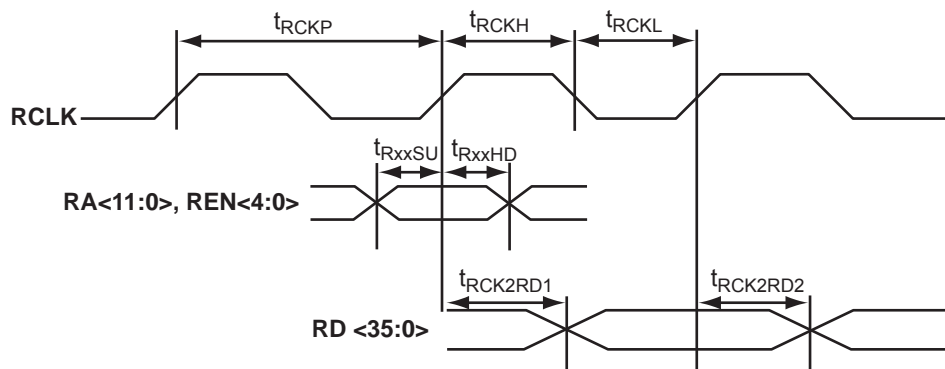


Figure 2-60 • RAM Read Timing Waveforms

Table 2-89 • One RAM Block
Worst-Case Commercial Conditions VCCA = 1.425 V, VCCI = 3.0 V, T_J = 70°C

Parameter	Description	–2 Speed		–1 Speed		Std Speed		Units
		Min.	Max.	Min.	Max.	Min.	Max.	
Write Mode								
t _{WDASU}	Write Data Setup vs. WCLK		1.08		1.23		1.45	ns
t _{WDAHD}	Write Data Hold vs. WCLK		0.22		0.25		0.30	ns
t _{WADSU}	Write Address Setup vs. WCLK		1.08		1.23		1.45	ns
t _{WADHD}	Write Address Hold vs. WCLK		0.00		0.00		0.00	ns
t _{WENSU}	Write Enable Setup vs. WCLK		1.08		1.23		1.45	ns
t _{WENHD}	Write Enable Hold vs. WCLK		0.22		0.25		0.30	ns
t _{WCKH}	WCLK Minimum High Pulse Width	0.75		0.75		0.75		ns
t _{WCLK}	WCLK Minimum Low Pulse Width	0.88		0.88		0.88		ns
t _{WCKP}	WCLK Minimum Period	1.63		1.63		1.63		ns
Read Mode								
t _{RADSU}	Read Address Setup vs. RCLK		0.81		0.92		1.08	ns
t _{RADHD}	Read Address Hold vs. RCLK		0.00		0.00		0.00	ns
t _{RENSU}	Read Enable Setup vs. RCLK		0.81		0.92		1.08	ns
t _{RENHD}	Read Enable Hold vs. RCLK		0.00		0.00		0.00	ns
t _{RCK2RD1}	RCLK-to-OUT (Pipelined)		1.32		1.51		1.77	ns
t _{RCK2RD2}	RCLK-to-OUT (Non-Pipelined)		2.16		2.46		2.90	ns
t _{RCLKH}	RCLK Minimum High Pulse Width	0.77		0.77		0.77		ns
t _{RCLKL}	RCLK Minimum Low Pulse Width	0.93		0.93		0.93		ns
t _{RCKP}	RCLK Minimum Period	1.70		1.70		1.70		ns

Note: Timing data for this single block RAM has a depth of 4,096. For all other combinations, use Microsemi's timing software.

Table 2-90 • Two RAM Blocks Cascaded
Worst-Case Commercial Conditions VCCA = 1.425 V, VCCI = 3.0 V, T_J = 70°C

Parameter	Description	-2 Speed		-1 Speed		Std Speed		Units
		Min.	Max.	Min.	Max.	Min.	Max.	
Write Mode								
t _{WDASU}	Write Data Setup vs. WCLK		1.39		1.59		1.87	ns
t _{WDAHD}	Write Data Hold vs. WCLK		0.00		0.00		0.00	ns
t _{WADSU}	Write Address Setup vs. WCLK		1.39		1.59		1.87	ns
t _{WADHD}	Write Address Hold vs. WCLK		0.00		0.00		0.00	ns
t _{WENSU}	Write Enable Setup vs. WCLK		1.39		1.59		1.87	ns
t _{WENHD}	Write Enable Hold vs. WCLK		0.00		0.00		0.00	ns
t _{WCKH}	WCLK Minimum High Pulse Width	0.75		0.75		0.75		ns
t _{WCLK}	WCLK Minimum Low Pulse Width	1.76		1.76		1.76		ns
t _{WCKP}	WCLK Minimum Period	2.51		2.51		2.51		ns
Read Mode								
t _{RADSU}	Read Address Setup vs. RCLK		1.71		1.94		2.28	ns
t _{RADHD}	Read Address Hold vs. RCLK		0.00		0.00		0.00	ns
t _{RENSU}	Read Enable Setup vs. RCLK		1.71		1.94		2.28	ns
t _{RENHD}	Read Enable Hold vs. RCLK		0.00		0.00		0.00	ns
t _{RCK2RD1}	RCLK-To-OUT (Pipelined)		1.43		1.63		1.92	ns
t _{RCK2RD2}	RCLK-To-OUT (Non-Pipelined)		2.26		2.58		3.03	ns
t _{RCLKH}	RCLK Minimum High Pulse Width	0.73		0.73		0.73		ns
t _{RCLKL}	RCLK Minimum Low Pulse Width	1.89		1.89		1.89		ns
t _{RCKP}	RCLK Minimum Period	2.62		2.62		2.62		ns

Note: Timing data for these two cascaded RAM blocks uses a depth of 8,192. For all other combinations, use Microsemi's timing software.

Table 2-91 • Four RAM Blocks Cascaded
Worst-Case Commercial Conditions VCCA = 1.425 V, VCCI = 3.0 V, T_J = 70°C

Parameter	Description	–2 Speed		–1 Speed		Std Speed		Units
		Min.	Max.	Min.	Max.	Min.	Max.	
Write Mode								
t _{WDASU}	Write Data Setup vs. WCLK		2.37		2.70		3.17	ns
t _{WDAHD}	Write Data Hold vs. WCLK		0.00		0.00		0.00	ns
t _{WADSU}	Write Address Setup vs. WCLK		2.37		2.70		3.17	ns
t _{WADHD}	Write Address Hold vs. WCLK		0.00		0.00		0.00	ns
t _{WENSU}	Write Enable Setup vs. WCLK		2.37		2.70		3.17	ns
t _{WENHD}	Write Enable Hold vs. WCLK		0.00		0.00		0.00	ns
t _{WCKH}	WCLK Minimum High Pulse Width	0.75		0.75		0.75		ns
t _{WCLK}	WCLK Minimum Low Pulse Width	2.51		2.51		2.51		ns
t _{WCKP}	WCLK Minimum Period	3.26		3.26		3.26		ns
Read Mode								
t _{RADSU}	Read Address Setup vs. RCLK		3.08		3.51		4.13	ns
t _{RADHD}	Read Address Hold vs. RCLK		0.00		0.00		0.00	ns
t _{RENSU}	Read Enable Setup vs. RCLK		3.08		3.51		4.13	ns
t _{RENHD}	Read Enable Hold vs. RCLK		0.00		0.00		0.00	ns
t _{RCK2RD1}	RCLK-To-OUT (Pipelined)		2.36		2.69		3.16	ns
t _{RCK2RD2}	RCLK-To-OUT (Non-Pipelined)		2.83		3.23		3.79	ns
t _{RCLKH}	RCLK Minimum High Pulse Width	0.73		0.73		0.73		ns
t _{RCLKL}	RCLK Minimum Low Pulse Width	2.96		2.96		2.96		ns
t _{RCKP}	RCLK Minimum Period	3.69		3.69		3.69		ns

Note: Timing data for these four cascaded RAM blocks uses a depth of 16,384. For all other combinations, use Microsemi's timing software.

Table 2-92 • Eight RAM Blocks Cascaded
Worst-Case Commercial Conditions VCCA = 1.425 V, VCCI = 3.0 V, T_J = 70°C

Parameter	Description	-2 Speed		-1 Speed		Std Speed		Units
		Min.	Max.	Min.	Max.	Min.	Max.	
Write Mode								
t _{WDASU}	Write Data Setup vs. WCLK		5.78		6.58		7.74	ns
t _{WDAHD}	Write Data Hold vs. WCLK		0.00		0.00		0.00	ns
t _{WADSU}	Write Address Setup vs. WCLK		5.78		6.58		7.74	ns
t _{WADHD}	Write Address Hold vs. WCLK		0.00		0.00		0.00	ns
t _{WENSU}	Write Enable Setup vs. WCLK		5.78		6.58		7.74	ns
t _{WENHD}	Write Enable Hold vs. WCLK		0.00		0.00		0.00	ns
t _{WCKH}	WCLK Minimum High Pulse Width	0.75		0.75		0.75		ns
t _{WCLK}	WCLK Minimum Low Pulse Width	5.13		5.13		5.13		ns
t _{WCKP}	WCLK Minimum Period	5.88		5.88		5.88		ns
Read Mode								
t _{RADSU}	Read Address Setup vs. RCLK		6.75		7.69		9.04	ns
t _{RADHD}	Read Address Hold vs. RCLK		0.00		0.00		0.00	ns
t _{RENSU}	Read Enable Setup vs. RCLK		6.75		7.69		9.04	ns
t _{RENHD}	Read Enable Hold vs. RCLK		0.00		0.00		0.00	ns
t _{RCK2RD1}	RCLK-To-OUT (Pipelined)		3.39		3.86		4.54	ns
t _{RCK2RD2}	RCLK-To-OUT (Non-Pipelined)		4.93		5.62		6.61	ns
t _{RCLKH}	RCLK Minimum High Pulse Width	0.73		0.73		0.73		ns
t _{RCLKL}	RCLK Minimum Low Pulse Width	5.77		5.77		5.77		ns
t _{RCKP}	RCLK Minimum Period	6.50		6.50		6.50		ns

Note: Timing data for these eight cascaded RAM blocks uses a depth of 32,768. For all other combinations, use Microsemi's timing software.

Table 2-93 • Sixteen RAM Blocks Cascaded
Worst-Case Commercial Conditions VCCA = 1.425 V, VCCI = 3.0 V, T_J = 70°C

Parameter	Description	-2 Speed		-1 Speed		Std Speed		Units
		Min.	Max.	Min.	Max.	Min.	Max.	
Write Mode								
t _{WDASU}	Write Data Setup vs. WCLK		16.54		18.84		22.15	ns
t _{WDAHD}	Write Data Hold vs. WCLK		0.00		0.00		0.00	ns
t _{WADSU}	Write Address Setup vs. WCLK		16.54		18.84		22.15	ns
t _{WADHD}	Write Address Hold vs. WCLK		0.00		0.00		0.00	ns
t _{WENSU}	Write Enable Setup vs. WCLK		16.54		18.84		22.15	ns
t _{WENHD}	Write Enable Hold vs. WCLK		0.00		0.00		0.00	ns
t _{WCKH}	WCLK Minimum High Pulse Width	0.75		0.75		0.75		ns
t _{WCLK}	WCLK Minimum Low Pulse Width	13.40		13.40		13.40		ns
t _{WCKP}	WCLK Minimum Period	14.15		14.15		14.15		ns
Read Mode								
t _{RADSU}	Read Address Setup vs. RCLK		18.13		20.65		24.27	ns
t _{RADHD}	Read Address Hold vs. RCLK		0.00		0.00		0.00	ns
t _{RENSU}	Read Enable Setup vs. RCLK		18.13		20.65		24.27	ns
t _{RENHD}	Read Enable Hold vs. RCLK		0.00		0.00		0.00	ns
t _{RCK2RD1}	RCLK-To-OUT (Pipelined)		12.08		13.76		16.17	ns
t _{RCK2RD2}	RCLK-To-OUT (Non-Pipelined)		12.83		14.62		17.18	ns
t _{RCLKH}	RCLK Minimum High Pulse Width	0.73		0.73		0.73		ns
t _{RCLKL}	RCLK Minimum Low Pulse Width	14.41		14.41		14.41		ns
t _{RCKP}	RCLK Minimum Period	15.14		15.14		15.14		ns

Note: Timing data for these sixteen cascaded RAM blocks uses a depth of 65,536. For all other combinations, use Microsemi's timing software.

FIFO

Every memory block has its own embedded FIFO controller. Each FIFO block has one read port and one write port. This embedded FIFO controller uses no internal FPGA logic and features:

- Glitch-free FIFO Flags
- Gray-code address counters/pointers to prevent metastability problems
- Overflow and underflow control

Both ports are configurable in various sizes from 4k x 1 to 128 x 36, similar to the RAM block size. Each port is fully synchronous.

Read and write operations can be completely independent. Data on the appropriate WD pins are written to the FIFO on every active WCLK edge as long as WEN is high. Data is read from the FIFO and output on the appropriate RD pins on every active RCLK edge as long as REN is asserted.

The FIFO block offers programmable almost-empty (AEMPTY) and almost-full (AFULL) flags as well as EMPTY and FULL flags (Figure 2-61):

- The FULL flag is synchronous to WCLK. It allows the FIFO to inhibit writing when full.
- The EMPTY flag is synchronous to RCLK. It allows the FIFO to inhibit reading at the empty condition.

Gray code counters are used to prevent metastability problems associated with flag logic. The depth of the FIFO is dependent on the data width and the number of memory blocks used to create the FIFO. The write operations to the FIFO are synchronous with respect to the WCLK, and the read operations are synchronous with respect to the RCLK.

The FIFO block may be reset to the empty state.

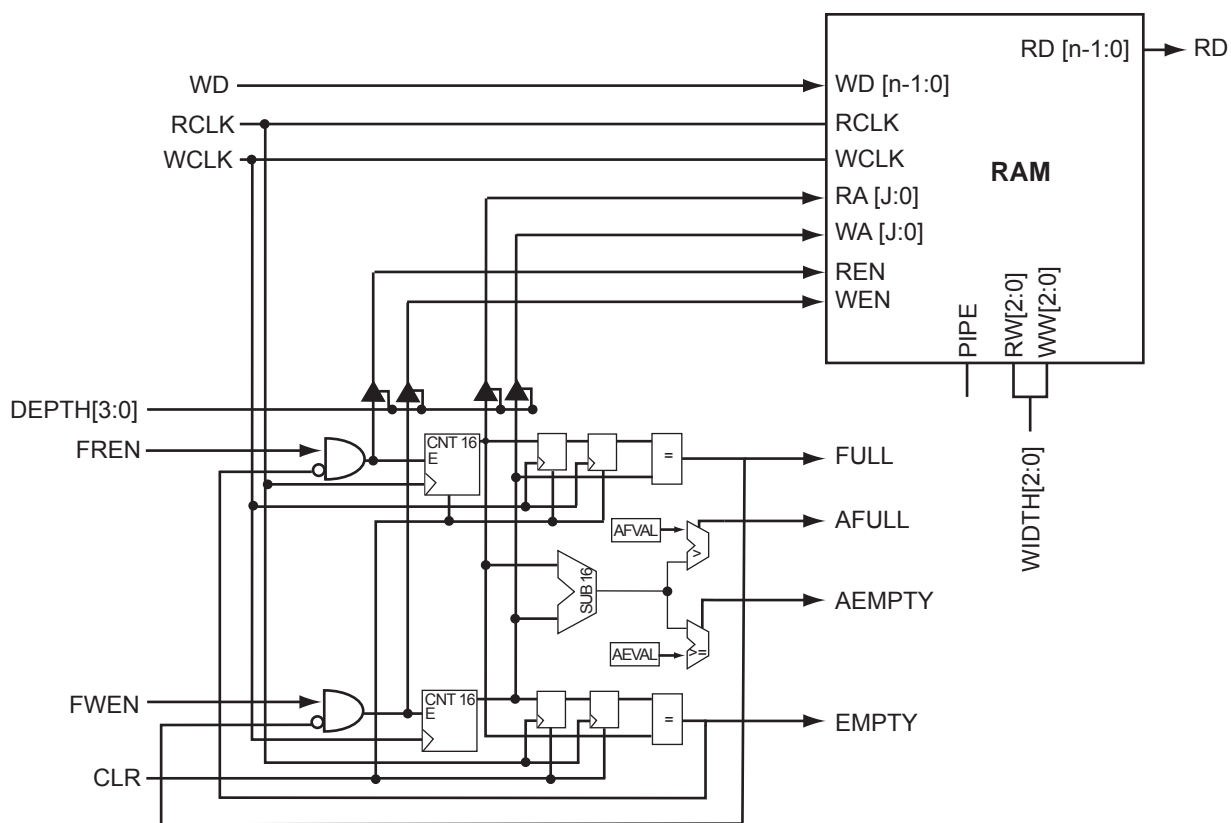


Figure 2-61 • Axcelerator RAM with Embedded FIFO Controller

FIFO Flag Logic

The FIFO is user configurable into various DEPTHS and WIDTHS. Figure 2-62 shows the FIFO address counter details.

- Bits 11 to 5 are active for all modes.
- As the data word size is reduced, more least-significant bits are added to the address.
- As the number of cascaded blocks increases, the number of significant bits in the address increases.

For example, if four blocks are cascaded as a 1kx16 FIFO with each block having a 1kx4 aspect ratio, bits 11 to 2 of the address will be used to specify locations within each RAM block, whereas bits 13 and 12 will be used to specify the RAM block.



Note: Inactive counter bits are set to zero.

Figure 2-62 • FIFO Address Counters

The AFULL and AEMPTY flag threshold values are programmable. The threshold values are AFVAL and AEVAL, respectively. Although the trigger threshold for each flag is defined with eight bits, the effective number of threshold bits in the comparison depends on the configuration. The effective number of threshold bits corresponds to the range of active bits in the FIFO address space (Table 2-94).

Table 2-94 • FIFO Flag Logic

Mode	Inactive AEVAL/AFVAL Bits	Inactive DIFF Bits (set to 0)	DIFF Comparison to AFVAL/AEVAL
Non-cascade	[7:4]	[15:12]	DIFF[11:8] with AE/FVAL[3:0]
Cascade 2 blocks	[7:5]	[15:13]	DIFF[12:8] with AE/FVAL[4:0]
Cascade 4 blocks	[7:6]	[15:14]	DIFF[13:8] with AE/FVAL[5:0]
Cascade 8 blocks	[7]	[15]	DIFF[14:8] with AE/FVAL[6:0]
Cascade 16 blocks	None	None	DIFF[15:8] with AE/FVAL[7:0]

Figure 2-63 illustrates flag generation.

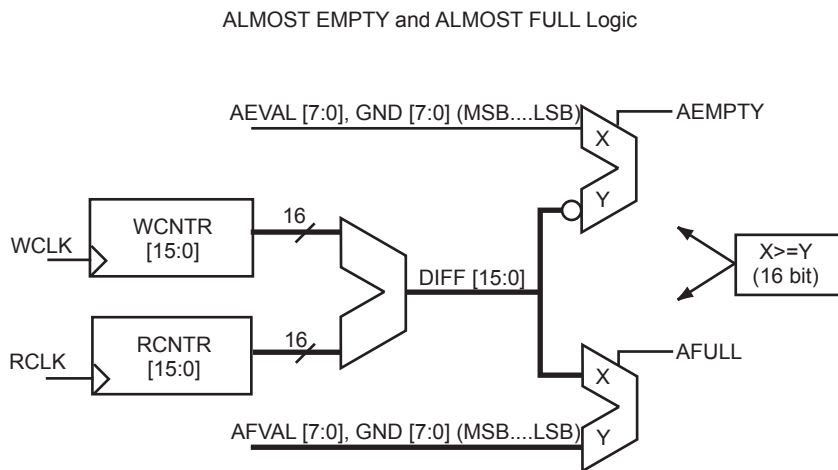


Figure 2-63 • ALMOST-EMPTY and ALMOST-FULL Logic

The Verilog codes for the flags are:

```
assign AF = (DIFF[15:0] >={AFVAL[7:0],8'b00000000})?1:0;
assign AE = ({AEVAL[7:0],8'b00000000}>=DIFF[15:0])?1:0;
```

The number of DIFF-bits active depends on the configuration depth and width (Table 2-95).

Table 2-95 • Number of Available Configuration Bits

Number of Blocks	Block DxW	Number of AEVAL/AFVAL Bits
1	1x1	4
2	1x2	4
2	2x1	5
4	1x4	4
4	2x2	5
4	4x1	6
8	1x8	4
8	2x4	5
8	4x2	6
8	8x1	7
16	1x16	4
16	2x8	5
16	4x4	6
16	8x2	7
16	16x1	8

The active-high CLR pin is used to reset the FIFO to the empty state, which sets FULL and AFULL low, and EMPTY and AEMPTY high.

Assuming that the EMPTY flag is not set, new data is read from the FIFO when REN is valid on the active edge of the clock. Write and read transfers are described with timing requirements in "Timing Characteristics" on page 2-100.

Glitch Elimination

An analog filter is added to each FIFO controller to guarantee glitch-free FIFO-flag logic.

Overflow and Underflow Control

The counter MSB keeps track of the difference between the read address (RA) and the write address (WA). The EMPTY flag is set when the read and write addresses are equal. To prevent underflow, the write address is double-sampled by the read clock prior to comparison with the read address (part A in Figure 2-64). To prevent overflow, the read address is double-sampled by the write clock prior to comparison to the write address (part B in Figure 2-64).

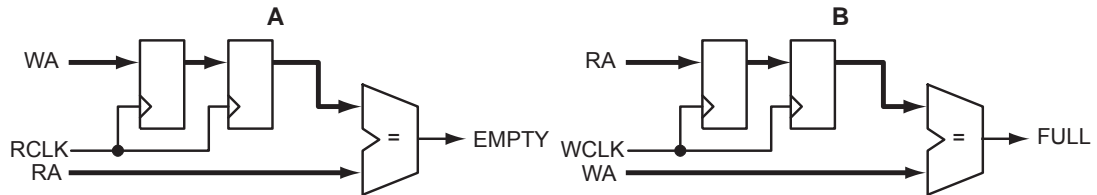


Figure 2-64 • Overflow and Underflow Control

FIFO Configurations

Unlike the RAM, the FIFO's write width and read width cannot be specified independently. For the FIFO, the write and read widths must be the same. The WIDTH pins are used to specify one of six allowable word widths, as shown in Table 2-96.

Table 2-96 • FIFO Width Configurations

WIDTH(2:0)	W x D
000	1 x 4k
001	2 x 2k
010	4 x 1k
011	9 x 512
100	18 x 256
101	36 x 128
11x	reserved

The DEPTH pins allow RAM cells to be cascaded to create larger FIFOs. The four pins allow depths of 2, 4, 8, and 16 to be specified. Table 2-86 on page 2-87 describes the FIFO depth options for various data width and memory blocks.

Interface

Figure 2-65 on page 2-99 shows a logic block diagram of the Accelerator FIFO module.

Cascading FIFO Blocks

FIFO blocks can be cascaded to create deeper FIFO functions. When building larger FIFO blocks, if the word width can be fractured in a multi-bit FIFO, the fractured word configuration is recommended over a cascaded configuration. For example, 256x36 can be configured as two blocks of 256x18. This should be taken into account when building the FIFO blocks manually. However, when using SmartGen, the user only needs to specify the depth and width of the necessary FIFO blocks. SmartGen automatically configures these blocks to optimize performance.

Clock

As with RAM configuration, the RCLK and WCLK pins have independent polarity selection.



Figure 2-65 • FIFO Block Diagram

Table 2-97 • FIFO Signal Description

Signal	Direction	Description
WCLK	Input	Write clock (active either edge).
FWEN	Input	FIFO write enable. When this signal is asserted, the WD bus data is latched into the FIFO, and the internal write counters are incremented.
WD[N-1:0]	Input	Write data bus. The value N is dependent on the RAM configuration and can be 1, 2, 4, 9, 18, or 36.
FULL	Output	Active high signal indicating that the FIFO is FULL. When this signal is set, additional write requests are ignored.
AFULL	Output	Active high signal indicating that the FIFO is AFULL.
AFVAL	Input	8-bit input defining the AFULL value of the FIFO.
RCLK	Input	Read clock (active either edge).
FREN	Input	FIFO read enable.
RD[N-1:0]	Output	Read data bus. The value N is dependent on the RAM configuration and can be 1, 2, 4, 9, 18, or 36.
EMPTY	Output	Empty flag indicating that the FIFO is EMPTY. When this signal is asserted, attempts to read the FIFO will be ignored.
AEMPTY	Output	Active high signal indicating that the FIFO is AEMPTY.
AEVAL	Input	8-bit input defining the almost-empty value of the FIFO.
PIPE	Input	Sets the pipe option on or off.
CLR	Input	Active high clear input.
DEPTH	Input	Determines the depth of the FIFO and the number of FIFOs to be cascaded.
WIDTH	Input	Determines the width of the dataword/FIFO, and the number of the FIFOs to be cascaded.

Timing Characteristics



Figure 2-66 • FIFO Model



Figure 2-67 • FIFO Write Timing



Figure 2-68 • FIFO Read Timing

Table 2-98 • One FIFO Block
Worst-Case Commercial Conditions VCCA = 1.425 V, VCCI = 3.0 V, T_J = 70°C

Parameter	Description	-2 Speed		-1 Speed		Std Speed		Units
		Min.	Max.	Min.	Max.	Min.	Max.	
FIFO Module Timing								
t _{WSU}	Write Setup		11.40		12.98		15.26	ns
t _{WHD}	Write Hold		0.22		0.25		0.30	ns
t _{WCKH}	WCLK High		0.75		0.75		0.75	ns
t _{WCKL}	WCLK Low		0.88		0.88		0.88	ns
t _{WCKP}	Minimum WCLK Period	1.63		1.63		1.63		ns
t _{RSU}	Read Setup		11.63		13.25		15.58	ns
t _{RHD}	Read Hold		0.00		0.00		0.00	ns
t _{RCKH}	RCLK High		0.77		0.77		0.77	ns
t _{RCKL}	RCLK Low		0.93		0.93		0.93	ns
t _{RCKP}	Minimum RCLK period	1.70		1.70		1.70		ns
t _{CLRHF}	Clear High		0.00		0.00		0.00	ns
t _{CLR2FF}	Clear-to-flag (EMPTY/FULL)		1.92		2.18		2.57	ns
t _{CLR2AF}	Clear-to-flag (AEMPTY/AFULL)		4.39		5.00		5.88	ns
t _{CK2FF}	Clock-to-flag (EMPTY/FULL)		2.13		2.42		2.85	ns
t _{CK2AF}	Clock-to-flag (AEMPTY/AFULL)		5.04		5.75		6.75	ns
t _{RCK2RD1}	RCLK-To-OUT (Pipelined)		1.32		1.51		1.77	ns
t _{RCK2RD2}	RCLK-To-OUT (Non-Pipelined)		2.16		2.46		2.90	ns

Note: Timing data for this single block FIFO has a depth of 4,096. For all other combinations, use Microsemi's timing software.

Table 2-99 • Two FIFO Blocks Cascaded
Worst-Case Commercial Conditions VCCA = 1.425 V, VCCI = 3.0 V, T_J = 70°C

Parameter	Description	-2 Speed		-1 Speed		Std Speed		Units
		Min.	Max.	Min.	Max.	Min.	Max.	
FIFO Module Timing								
t _{WSU}	Write Setup		13.75		15.66		18.41	ns
t _{WHD}	Write Hold		0.00		0.00		0.00	ns
t _{WCKH}	WCLK High		0.75		0.75		0.75	ns
t _{WCKL}	WCLK Low		1.76		1.76		1.76	ns
t _{WCKP}	Minimum WCLK Period	2.51		2.51		2.51		ns
t _{RSU}	Read Setup		14.33		16.32		19.19	ns
t _{RHD}	Read Hold		0.00		0.00		0.00	ns
t _{RCKH}	RCLK High		0.73		0.73		0.73	ns
t _{RCKL}	RCLK Low		1.89		1.89		1.89	ns
t _{RCKP}	Minimum RCLK period	2.62		2.62		2.62		ns
t _{CLRHF}	Clear High		0.00		0.00		0.00	ns
t _{CLR2FF}	Clear-to-flag (EMPTY/FULL)		1.92		2.18		2.57	ns
t _{CLR2AF}	Clear-to-flag (AEMPTY/AFULL)		4.39		5.00		5.88	ns
t _{CK2FF}	Clock-to-flag (EMPTY/FULL)		2.13		2.42		2.85	ns
t _{CK2AF}	Clock-to-flag (AEMPTY/AFULL)		5.04		5.75		6.75	ns
t _{RCK2RD1}	RCLK-To-OUT (Pipelined)		1.43		1.63		1.92	ns
t _{RCK2RD2}	RCLK-To-OUT (Nonpipelined)		2.26		2.58		3.03	ns

Note: Timing data for these two cascaded FIFO blocks uses a depth of 8,192. For all other combinations, use Microsemi's timing software.

Table 2-100 • Four FIFO Blocks Cascaded
Worst-Case Commercial Conditions VCCA = 1.425 V, VCCI = 3.0 V, T_J = 70°C

Parameter	Description	-2 Speed		-1 Speed		Std Speed		Units
		Min.	Max.	Min.	Max.	Min.	Max.	
FIFO Module Timing								
t _{WSU}	Write Setup		14.60		16.63		19.55	ns
t _{WHD}	Write Hold		0.00		0.00		0.00	ns
t _{WCKH}	WCLK High		0.75		0.75		0.75	ns
t _{WCKL}	WCLK Low		2.51		2.51		2.51	ns
t _{WCKP}	Minimum WCLK Period	3.26		3.26		3.26		ns
t _{RSU}	Read Setup		15.27		17.39		20.44	ns
t _{RHD}	Read Hold		0.00		0.00		0.00	ns
t _{RCKH}	RCLK High		0.73		0.73		0.73	ns
t _{RCKL}	RCLK Low		2.96		2.96		2.96	ns
t _{RCKP}	Minimum RCLK period	3.69		3.69		3.69		ns
t _{CLRHF}	Clear High		0.00		0.00		0.00	ns
t _{CLR2FF}	Clear-to-flag (EMPTY/FULL)		1.92		2.18		2.57	ns
t _{CLR2AF}	Clear-to-flag (AEMPTY/AFULL)		4.39		5.00		5.88	ns
t _{CK2FF}	Clock-to-flag (EMPTY/FULL)		2.13		2.42		2.85	ns
t _{CK2AF}	Clock-to-flag (AEMPTY/AFULL)		5.04		5.75		6.75	ns
t _{RCK2RD1}	RCLK-To-OUT (Pipelined)		2.36		2.69		3.16	ns
t _{RCK2RD2}	RCLK-To-OUT (Nonpipelined)		2.83		3.23		3.79	ns

Note: Timing data for these four cascaded FIFO blocks uses a depth of 16,384. For all other combinations, use Microsemi's timing software.

Table 2-101 • Eight FIFO Blocks Cascaded
Worst-Case Commercial Conditions VCCA = 1.425 V, VCCI = 3.0 V, T_J = 70°C

Parameter	Description	-2 Speed		-1 Speed		Std Speed		Units
		Min.	Max.	Min.	Max.	Min.	Max.	
FIFO Module Timing								
t _{WSU}	Write Setup		15.46		17.61		20.70	ns
t _{WHD}	Write Hold		0.00		0.00		0.00	ns
t _{WCKH}	WCLK High		0.75		0.75		0.75	ns
t _{WCKL}	WCLK Low		5.13		5.13		5.13	ns
t _{WCKP}	Minimum WCLK Period	5.88		5.88		5.88		ns
t _{RSU}	Read Setup		16.22		18.47		21.72	ns
t _{RHD}	Read Hold		0.00		0.00		0.00	ns
t _{RCKH}	RCLK High		0.73		0.73		0.73	ns
t _{RCKL}	RCLK Low		5.77		5.77		5.77	ns
t _{RCKP}	Minimum RCLK period	6.50		6.50		6.50		ns
t _{CLRHF}	Clear High		0.00		0.00		0.00	ns
t _{CLR2FF}	Clear-to-flag (EMPTY/FULL)		1.92		2.18		2.57	ns
t _{CLR2AF}	Clear-to-flag (AEMPTY/AFULL)		4.39		5.00		5.88	ns
t _{CK2FF}	Clock-to-flag (EMPTY/FULL)		2.13		2.42		2.85	ns
t _{CK2AF}	Clock-to-flag (AEMPTY/AFULL)		5.04		5.75		6.75	ns
t _{RCK2RD1}	RCLK-To-OUT (Pipelined)		3.39		3.86		4.54	ns
t _{RCK2RD2}	RCLK-To-OUT (Nonpipelined)		4.93		5.62		6.61	ns

Note: Timing data for these eight cascaded FIFO blocks uses a depth of 32,768. For all other combinations, use Microsemi's timing software.

Table 2-102 • Sixteen FIFO Blocks Cascaded
Worst-Case Commercial Conditions VCCA = 1.425 V, VCCI = 3.0 V, T_J = 70°C

Parameter	Description	–2 Speed		–1 Speed		Std Speed		Units
		Min.	Max.	Min.	Max.	Min.	Max.	
FIFO Module Timing								
t _{WSU}	Write Setup		16.32		18.60		21.86	ns
t _{WHD}	Write Hold		0.00		0.00		0.00	ns
t _{WCKH}	WCLK High		0.75		0.75		0.75	ns
t _{WCKL}	WCLK Low		13.40		13.40		13.40	ns
t _{WCKP}	Minimum WCLK Period	14.15		14.15		14.15		ns
t _{RSU}	Read Setup		17.16		19.54		22.97	ns
t _{RHD}	Read Hold		0.00		0.00		0.00	ns
t _{RCKH}	RCLK High		0.73		0.73		0.73	ns
t _{RCKL}	RCLK Low		14.41		14.41		14.41	ns
t _{RCKP}	Minimum RCLK period	15.14		15.14		15.14		ns
t _{CLRHF}	Clear High		0.00		0.00		0.00	ns
t _{CLR2FF}	Clear-to-flag (EMPTY/FULL)		1.92		2.18		2.57	ns
t _{CLR2AF}	Clear-to-flag (AEMPTY/AFULL)		4.39		5.00		5.88	ns
t _{CK2FF}	Clock-to-flag (EMPTY/FULL)		2.13		2.42		2.85	ns
t _{CK2AF}	Clock-to-flag (AEMPTY/AFULL)		5.04		5.75		6.75	ns
t _{RCK2RD1}	RCLK-To-OUT (Pipelined)		12.08		13.76		16.17	ns
t _{RCK2RD2}	RCLK-To-OUT (Nonpipelined)		12.83		14.62		17.18	ns

Note: Timing data for these sixteen cascaded FIFO blocks uses a depth of 65,536. For all other combinations, use Microsemi's timing software.

Building RAM and FIFO Modules

RAM and FIFO modules can be generated and included in a design in two different ways:

- Using the SmartGen Core Generator where the user defines the depth and width of the FIFO/RAM, and then instantiates this block into the design (refer to the [SmartGen](#), [FlashROM](#), [Analog System Builder](#), and [Flash Memory System Builder](#) User's Guide for more information).
- The alternative is to instantiate the RAM/FIFO blocks manually, using inverters for polarity control and tying all unused data bits to ground.

Other Architectural Features

Low Power Mode

Although designed for high performance, the AX architecture also allows the user to place the device into a low power mode. Each I/O bank in an Axcelerator device can be configured individually, when in low power mode, to tristate all outputs, disable inputs, or both. The low power mode is activated by asserting the LP pin, which is grounded in normal operation.

While in the low power mode, the device is still fully functional and all internal logic states are preserved. This allows a user to disable all but a few signals and operate the part in a low-frequency, watchdog

mode if desired. Please note, if the I/O bank is not disabled, differential I/Os belonging to the I/O bank will still consume normal power, even when operating in the low power mode.

The Axcelerator device will resume normal operation 10µs after the LP pin is pulled Low.

To further reduce power consumption, the internal charge pump can be bypassed and an external power supply voltage can be used instead. This saves the internal charge-pump operating current, resulting in no DC current draw. The Axcelerator family devices have a dedicated "V_{PUMP}" pin that can be used to access an external charge pump device. In normal chip operation, when using the internal charge pump, V_{PUMP} should be tied to GND. When the voltage level on V_{PUMP} is set to 3.3V, the internal charge pump is turned off, and the V_{PUMP} voltage will be used as the charge pump voltage. Adequate voltage regulation (i.e. high drive, low output impedance, and good decoupling) should be used at V_{PUMP}.

In addition, any PLL in use can be powered down to further reduce power consumption. This can be done with the PowerDown pin driven Low. Driving this pin High restarts the PLL with the output clock(s) being stable once lock is restored.

JTAG

Axcelerator offers a JTAG interface that is compliant with the IEEE 1149.1 standard. The user can employ the JTAG interface for probing a design and performing any JTAG Public Instructions as defined in the [Table 2-103](#).

Table 2-103 • JTAG Instruction Code

Instruction (IR4:IR0)	Binary Code
Extest	00000
Preload / Sample	00001
Intest	00010
USERCODE	00011
IDCODE	00100
HIGHZ	01110
CLAMP	01111
Diagnostic	10000
Reserved	All others
Bypass	11111

Interface

The interface consists of four inputs: Test Mode Select (TMS), Test Data In (TDI), Test Clock (TCK), TAP Controller Reset (TRST), and an output, Test Data Out (TDO). TMS, TDI, and TRST have on-chip pull-up resistors.

TRST

TRST (Test-Logic Reset) is an active-low, asynchronous reset signal to the TAP controller. The TRST input can be used to reset the Test Access Port (TAP) Controller to the TRST state. The TAP Controller can be held at this state permanently by grounding the TRST pin. To hold the JTAG TAP controller in the TRST state, it is recommended to connect TRST to ground via a 1 kΩ resistor.

There is an optional internal pull-up resistor available for the TRST input that can be set by the user at programming. Care should be exercised when using this option in combination with an external tie-off to ground.

An on-chip power-on-reset (POWRST) circuit is included. POWRST has the same function as "TRST," but it only occurs at power-up or during recovery from a VCCA and/or VCCDA voltage drop.

TDO

TDO is normally tristated, and it is active only when the TAP controller is in the "Shift_DR" state or "Shift_IR" state. The least significant bit of the selected register (i.e. IR or DR) is clocked out to TDO first by the falling edge of TCK.

TAP Controller

The TAP Controller is compliant with the IEEE Standard 1149.1. It is a state machine of 16 states that controls the Instruction Register (IR) and the Data Registers (such as BSR, IDCODE, USRCODE, BYPASS, etc.). The TAP Controller steps into one of the states depending on the sequence of TMS at the rising edges of TCK.

Instruction Register (IR)

The IR has five bits (IR4 to IR0). At the TRST state, IR is reset to IDCODE. Each time when IR is selected, it goes through "select IR-Scan," "Capture-IR," "Shift-IR," all the way through "Update-IR." When there is no test error, the first five data bits coming out of TDO during the "Shift-IR" will be "10111". If a test error occurs, the last three bits will contain one to three zeroes corresponding to negatively asserted signals: "TDO_ERRORB," "PROBA_ERRORB," and "PROBB_ERRORB." The error(s) will be erased when the TAP is at the "Update-IR" or the TRST state. When in user mode start-up sequence, if the micro-probe has not been used, the "PROBA_ERRORB" is used as a "Power-up done successfully" flag.

Data Registers (DRs)

Data registers are distributed throughout the chip. They store testing/programming vectors. The MSB of a data register is connected to TDI, while the LSB is connected to TDO. There are different types of data registers. Descriptions of the main registers are as follow:

1. IDCODE:
The IDCODE is a 20-bit hard coded JTAG Silicon Signature. It is a hardwired device ID code, which contains the Microsemi identity, part number, and version number in a specific JTAG format.
2. USRCODE:
The USRCODE is a 33-bit programmable register. However, only 20 bits are allocated to use as JTAG Silicon Signature. It is a supplementary identity code for the user to program information to distinguish different programmed parts. USRCODE fuses will read out as "zeroes" when not programmed, so only the "1" bits need to be programmed.
3. Boundary-Scan Register (BSR):
Each I/O contains three Boundary-Scan Cells. Each cell has a shift register bit, a latch, and two MUXes. The boundary-scan cells are used for the Output-enable (E), Output (O), and Input (I) registers. The bit order of the boundary-scan cells for each of them is E-O-I. The boundary-scan cells are then chained serially to form the Boundary-Scan Register (BSR). The length of the BSR is the number of I/Os in the die multiplied by three.
4. Bypass Register (BYR):
This is the "1-bit" register. It is used to shorten the TDI-TDO serial chain in board-level testing to only one bit per device not being tested. It is also selected for all "reserved" or unused instructions.

Probing

Internal activities of the JTAG interface can be observed via the Silicon Explorer II probes: "PRA," "PRB," "PRC," and "PRD."

Special Fuses

Security

Microsemi antifuse FPGAs, with FuseLock technology, offer the highest level of design security available in a programmable logic device. Since antifuse FPGAs are live-at power-up, there is no bitstream that can be intercepted, and no bitstream or programming data is ever downloaded to the device during power-up, thus protecting against device cloning. In addition, special security fuses are hidden

throughout the fabric of the device and may be programmed by the user to thwart attempts to reverse engineer the device by attempting to exploit either the programming or probing interfaces. Both invasive and noninvasive attacks against an Axcelerator device that access or bypass these security fuses will destroy access to the rest of the device. (refer to the [Design Security in Nonvolatile Flash and Antifuse FPGAs](#) white paper).

Look for this symbol to ensure your valuable IP is protected with highest level of security in the industry.



Figure 2-69 • FuseLock Logo

To ensure maximum security in Axcelerator devices, it is recommended that the user program the device security fuse (SFUS). When programmed, the Silicon Explorer II testing probes are disabled to prevent internal probing, and the programming interface is also disabled. All JTAG public instructions are still accessible by the user.

For more information, refer to the [Implementation of Security in Actel Antifuse FPGAs](#) application note.

Global Set Fuse

The Global Set Fuse determines if all R-cells and I/O registers (InReg, OutReg, and EnReg) are either cleared or preset by driving the GCLR and GPSET inputs of all R-cells and I/O Registers ([Figure 2-31 on page 2-58](#)). Default setting is to clear all registers (GCLR = 0 and GPSET = 1) at device power-up. When the GBSETFUS option is checked during FUSE file generation, all registers are preset (GCLR = 1 and GPSET = 0). A local CLR or PRESET will take precedence over this setting. Both pins are pulled High during normal device operation. For use details, see the Libero IDE online help.

Silicon Explorer II Probe Interface

Silicon Explorer II is an integrated hardware and software solution that, in conjunction with the Designer tools, allows users to examine any of the internal nets (except I/O registers) of the device while it is operating in a prototype or a production system. The user can probe up to four nodes at a time without changing the placement and routing of the design and without using any additional device resources. Highlighted nets in Designer's ChipPlanner can be accessed using Silicon Explorer II in order to observe their real time values.

Silicon Explorer II's noninvasive method does not alter timing or loading effects, thus shortening the debug cycle. In addition, Silicon Explorer II does not require relayout or additional MUXes to bring signals out to external pins, which is necessary when using programmable logic devices from other suppliers. By eliminating multiple place-and-route program cycles, the integrity of the design is maintained throughout the debug process.

Each member of the Axcelerator family has four external pads: PRA, PRB, PRC, and PRD. These can be used to bring out four probe signals from the Axcelerator device (note that the AX125 only has two probe signals that can be observed: PRA and PRB). Each core tile has up to two probe signals. To disallow probing, the SFUS security fuse in the silicon signature has to be programmed (see ["Special Fuses" on page 2-108](#)).

Silicon Explorer II connects to the host PC using a standard serial port connector. Connections to the circuit board are achieved using a nine-pin D-Sub connector ([Figure 1-9 on page 1-7](#)). Once the design has been placed-and-routed, and the Axcelerator device has been programmed, Silicon Explorer II can be connected and the Explorer software can be launched.

Silicon Explorer II comes with an additional optional PC hosted tool that emulates an 18-channel logic analyzer. Four channels are used to monitor four internal nodes, and 14 channels are available to probe external signals. The software included with the tool provides the user with an intuitive interface that allows for easy viewing and editing of signal waveforms.

Programming

Device programming is supported through the Silicon Sculptor II, a single-site, robust and compact device programmer for the PC. Up to four Silicon Sculptor IIs can be daisy-chained and controlled from a single PC host. With standalone software for the PC, Silicon Sculptor II is designed to allow concurrent programming of multiple units from the same PC when daisy-chained.

Silicon Sculptor II programs devices independently to achieve the fastest programming times possible. Each fuse is verified by Silicon Sculptor II to ensure correct programming. Furthermore, at the end of programming, there are integrity tests that are run to ensure that programming was completed properly. Not only does it test programmed and nonprogrammed fuses, Silicon Sculptor II also provides a self-test to test its own hardware extensively.

Programming an Axcelerator device using Silicon Sculptor II is similar to programming any other antifuse device. The procedure is as follows:

1. Load the *.AFM file.
2. Select the device to be programmed.
3. Begin programming.

When the design is ready to go to production, Microsemi offers device volume-programming services either through distribution partners or via our In-House Programming Center.

In addition, BP Microsystems offers multi-site programmers that provide qualified support for Axcelerator devices.

For more details on programming the Axcelerator devices, please refer to the [Silicon Sculptor II User's Guide](#).

3 – Package Pin Assignments

BG729



Note

For Package Manufacturing and Environmental information, visit Resource center at <http://www.microsemi.com/soc/products/rescenter/package/index.html>.

BG729		BG729		BG729	
AX1000 Function	Pin Number	AX1000 Function	Pin Number	AX1000 Function	Pin Number
Bank 0		IO18NB0F1	C10	IO36NB1F3	H15
IO00NB0F0	E6	IO18PB0F1	C9	IO36PB1F3	G15
IO00PB0F0	F6	IO19NB0F1	E11	IO37NB1F3	C17
IO01NB0F0	G8	IO19PB0F1	F11	IO37PB1F3	C16
IO01PB0F0	G7	IO20NB0F1	G12	IO38NB1F3	B18
IO02NB0F0	D7	IO20PB0F1	H12	IO38PB1F3	B17
IO02PB0F0	E7	IO21NB0F1	D11	IO39NB1F3	A18
IO03NB0F0	D5	IO21PB0F1	D10	IO39PB1F3	A17
IO03PB0F0	E5	IO22NB0F2	A10	IO40NB1F3	H16
IO04NB0F0	G9	IO22PB0F2	A9	IO40PB1F3	G16
IO04PB0F0	H9	IO23NB0F2	B11	IO41NB1F4	B19
IO05NB0F0	E8	IO23PB0F2	B10	IO41PB1F4	A19
IO05PB0F0	F8	IO24NB0F2	G13	IO42NB1F4	C19
IO06NB0F0	C6	IO24PB0F2	H13	IO42PB1F4	C18
IO06PB0F0	D6	IO25NB0F2	C12	IO43NB1F4	D18
IO07NB0F0	B5	IO25PB0F2	C11	IO43PB1F4	D17
IO07PB0F0	C5	IO26NB0F2	E12	IO44NB1F4	H17
IO08NB0F0	A6	IO26PB0F2	D12	IO44PB1F4	G17
IO08PB0F0	A5	IO27NB0F2	E13	IO45NB1F4	F17
IO09NB0F0	E9	IO27PB0F2	F13	IO45PB1F4	E17
IO09PB0F0	F9	IO28NB0F2	G14	IO46NB1F4	B20
IO10NB0F0	G10	IO28PB0F2	H14	IO46PB1F4	A20
IO10PB0F0	H10	IO29NB0F2	A12	IO47NB1F4	C21
IO11NB0F0	B7	IO29PB0F2	B12	IO47PB1F4	C20
IO11PB0F0	B6	IO30NB0F2/HCLKAN	C13	IO48NB1F4	H18
IO12NB0F1	C8	IO30PB0F2/HCLKAP	D13	IO48PB1F4	G18
IO12PB0F1	C7	IO31NB0F2/HCLKBN	F14	IO49NB1F4	F18
IO13NB0F1	E10	IO31PB0F2/HCLKBP	E14	IO49PB1F4	E18
IO13PB0F1	F10	Bank 1		IO50NB1F4	D20
IO14NB0F1	G11	IO32NB1F3/HCLKCN	C14	IO50PB1F4	D19
IO14PB0F1	H11	IO32PB1F3/HCLKCP	B14	IO51NB1F4	A22
IO15NB0F1	D9	IO33NB1F3/HCLKDN	D16	IO51PB1F4	A21
IO15PB0F1	D8	IO33PB1F3/HCLKDP	D15	IO52NB1F4	B22
IO16NB0F1	A8	IO34NB1F3	B16	IO52PB1F4	B21
IO16PB0F1	A7	IO34PB1F3	A16	IO53NB1F4	F19
IO17NB0F1	B9	IO35NB1F3	E15	IO53PB1F4	E19
IO17PB0F1	B8	IO35PB1F3	F15	IO54NB1F5	F20

BG729	
AX1000 Function	Pin Number
IO54PB1F5	E20
IO55NB1F5	E21
IO55PB1F5	D21
IO56NB1F5	H19
IO56PB1F5	G19
IO57NB1F5	D22
IO57PB1F5	C22
IO58NB1F5	B23
IO58PB1F5	A23
IO59NB1F5	D23
IO59PB1F5	C23
IO60NB1F5	G21
IO60PB1F5	G20
IO61NB1F5	E23
IO61PB1F5	E22
IO62NB1F5	F22
IO62PB1F5	F21
IO63NB1F5	H20
IO63PB1F5	J19
Bank 2	
IO64NB2F6	J21
IO64PB2F6	H21
IO65NB2F6	F24
IO65PB2F6	F23
IO66NB2F6	F26
IO66PB2F6	F25
IO67NB2F6	E26
IO67PB2F6	E25
IO68NB2F6	J22
IO68PB2F6	H22
IO69NB2F6	G24
IO69PB2F6	G23
IO70NB2F6	K20
IO70PB2F6	J20
IO71NB2F6	G26
IO71PB2F6	G25
IO72NB2F6	J24

BG729	
AX1000 Function	Pin Number
IO72PB2F6	J23
IO73NB2F6	H24
IO73PB2F6	H23
IO74NB2F7	L21
IO74PB2F7	K21
IO75NB2F7	G27
IO75PB2F7	F27
IO76NB2F7	K23
IO76PB2F7	K22
IO77NB2F7	H26
IO77PB2F7	H25
IO78NB2F7	K25
IO78PB2F7	K24
IO79NB2F7	J26
IO79PB2F7	J25
IO80NB2F7	M20
IO80PB2F7	L20
IO81NB2F7	J27
IO81PB2F7	H27
IO82NB2F7	L23
IO82PB2F7	L22
IO83NB2F7	L25
IO83PB2F7	L24
IO84NB2F7	N21
IO84PB2F7	M21
IO85NB2F8	K27
IO85PB2F8	K26
IO86NB2F8	M23
IO86PB2F8	M22
IO87NB2F8	M25
IO87PB2F8	M24
IO88NB2F8	L27
IO88PB2F8	L26
IO89NB2F8	M27
IO89PB2F8	M26
IO90NB2F8	N23
IO90PB2F8	N22

BG729	
AX1000 Function	Pin Number
IO91NB2F8	N25
IO91PB2F8	N24
IO92NB2F8	N27
IO92PB2F8	N26
IO93NB2F8	P26
IO93PB2F8	P27
IO94NB2F8	N19
IO94PB2F8	N20
IO95NB2F8	P23
IO95PB2F8	P22
Bank 3	
IO96NB3F9	P25
IO96PB3F9	P24
IO97NB3F9	R26
IO97PB3F9	R27
IO98NB3F9	P21
IO98PB3F9	P20
IO99NB3F9	R24
IO99PB3F9	R25
IO100NB3F9	T26
IO100PB3F9	T27
IO101NB3F9	T24
IO101PB3F9	T25
IO102NB3F9	R20
IO102PB3F9	R21
IO103NB3F9	R23
IO103PB3F9	R22
IO104NB3F9	U26
IO104PB3F9	U27
IO105NB3F9	U24
IO105PB3F9	U25
IO106NB3F9	R19
IO106PB3F9	P19
IO107NB3F10	V26
IO107PB3F10	V27
IO108NB3F10	T23
IO108PB3F10	T22

BG729	
AX1000 Function	Pin Number
IO109NB3F10	V24
IO109PB3F10	V25
IO110NB3F10	T20
IO110PB3F10	T21
IO111NB3F10	W26
IO111PB3F10	W27
IO112NB3F10	U22
IO112PB3F10	U23
IO113NB3F10	Y26
IO113PB3F10	Y27
IO114NB3F10	U20
IO114PB3F10	U21
IO115NB3F10	W24
IO115PB3F10	W25
IO116NB3F10	V22
IO116PB3F10	V23
IO117NB3F10	Y24
IO117PB3F10	Y25
IO118NB3F11	V20
IO118PB3F11	V21
IO119NB3F11	AA26
IO119PB3F11	AA27
IO120NB3F11	W22
IO120PB3F11	W23
IO121NB3F11	AA24
IO121PB3F11	AA25
IO122NB3F11	W20
IO122PB3F11	W21
IO123NB3F11	AB26
IO123PB3F11	AB27
IO124NB3F11	Y22
IO124PB3F11	Y23
IO125NB3F11	AB24
IO125PB3F11	AB25
IO126NB3F11	AA22
IO126PB3F11	AA23
IO127NB3F11	AC26

BG729	
AX1000 Function	Pin Number
IO127PB3F11	AC27
IO128NB3F11	Y20
IO128PB3F11	W19
Bank 4	
IO129NB4F12	AA20
IO129PB4F12	Y21
IO130NB4F12	AB22
IO130PB4F12	AB23
IO131NB4F12	AC22
IO131PB4F12	AC23
IO132NB4F12	AD23
IO132PB4F12	AD24
IO133NB4F12	AF23
IO133PB4F12	AE23
IO134NB4F12	AC21
IO134PB4F12	AB21
IO135NB4F12	AC20
IO135PB4F12	AB20
IO136NB4F12	AD21
IO136PB4F12	AD22
IO137NB4F12	Y19
IO137PB4F12	AA19
IO138NB4F12	AE21
IO138PB4F12	AE22
IO139NB4F13	AF21
IO139PB4F13	AF22
IO140NB4F13	AG22
IO140PB4F13	AG23
IO141NB4F13	Y18
IO141PB4F13	AA18
IO142NB4F13	AE20
IO142PB4F13	AD20
IO143NB4F13	AG20
IO143PB4F13	AG21
IO144NB4F13	AC19
IO144PB4F13	AB19
IO145NB4F13	AD18

BG729	
AX1000 Function	Pin Number
IO145PB4F13	AD19
IO146NB4F13	AC18
IO146PB4F13	AB18
IO147NB4F13	Y17
IO147PB4F13	AA17
IO148NB4F13	AF19
IO148PB4F13	AF20
IO149NB4F13	AC17
IO149PB4F13	AB17
IO150NB4F13	AE18
IO150PB4F13	AE19
IO151NB4F13	AA16
IO151PB4F13	Y16
IO152NB4F14	AG18
IO152PB4F14	AG19
IO153NB4F14	AC16
IO153PB4F14	AB16
IO154NB4F14	AF17
IO154PB4F14	AF18
IO155NB4F14	AB15
IO155PB4F14	AC15
IO156NB4F14	AE16
IO156PB4F14	AE17
IO157NB4F14	Y15
IO157PB4F14	AA15
IO158NB4F14	AG16
IO158PB4F14	AG17
IO159NB4F14/CLKEN	AF15
IO159PB4F14/CLKEP	AF16
IO160NB4F14/CLKFN	AD14
IO160PB4F14/CLKFP	AD15
Bank 5	
IO161NB5F15/CLKGN	AE14
IO161PB5F15/CLKGP	AE15
IO162NB5F15/CLKHN	AC13
IO162PB5F15/CLKHP	AD13
IO163NB5F15	Y14

BG729	
AX1000 Function	Pin Number
IO163PB5F15	AA14
IO164NB5F15	AE13
IO164PB5F15	AF13
IO165NB5F15	AF12
IO165PB5F15	AG12
IO166NB5F15	AD12
IO166PB5F15	AE12
IO167NB5F15	Y13
IO167PB5F15	AA13
IO168NB5F15	AD11
IO168PB5F15	AE11
IO169NB5F15	AG11
IO169PB5F15	AF11
IO170NB5F15	AB11
IO170PB5F15	AC11
IO171NB5F16	AF10
IO171PB5F16	AG10
IO172NB5F16	AD10
IO172PB5F16	AE10
IO173NB5F16	Y12
IO173PB5F16	AA12
IO174NB5F16	AB10
IO174PB5F16	AC10
IO175NB5F16	AF9
IO175PB5F16	AG9
IO176NB5F16	AD9
IO176PB5F16	AE9
IO177NB5F16	Y11
IO177PB5F16	AA11
IO178NB5F16	AF8
IO178PB5F16	AG8
IO179NB5F16	AD8
IO179PB5F16	AE8
IO180NB5F16	AB9
IO180PB5F16	AC9
IO181NB5F17	Y10
IO181PB5F17	AA10

BG729	
AX1000 Function	Pin Number
IO182NB5F17	AF7
IO182PB5F17	AG7
IO183NB5F17	AD7
IO183PB5F17	AE7
IO184NB5F17	AC7
IO184PB5F17	AC8
IO185NB5F17	AF6
IO185PB5F17	AG6
IO186NB5F17	AB7
IO186PB5F17	AB8
IO187NB5F17	Y9
IO187PB5F17	AA9
IO188NB5F17	AD6
IO188PB5F17	AE6
IO189NB5F17	AB6
IO189PB5F17	AC6
IO190NB5F17	AF5
IO190PB5F17	AG5
IO191NB5F17	AA6
IO191PB5F17	AA7
IO192NB5F17	Y8
IO192PB5F17	AA8
Bank 6	
IO193NB6F18	W8
IO193PB6F18	Y7
IO194NB6F18	AB5
IO194PB6F18	AC5
IO195NB6F18	AC2
IO195PB6F18	AC3
IO196NB6F18	AC4
IO196PB6F18	AD4
IO197NB6F18	Y5
IO197PB6F18	Y6
IO198NB6F18	AB3
IO198PB6F18	AB4
IO199NB6F18	V7
IO199PB6F18	W7

BG729	
AX1000 Function	Pin Number
IO200NB6F18	AA4
IO200PB6F18	AA5
IO201NB6F18	W5
IO201PB6F18	W6
IO202NB6F18	AB1
IO202PB6F18	AC1
IO203NB6F19	Y3
IO203PB6F19	AA3
IO204NB6F19	AA2
IO204PB6F19	AB2
IO205NB6F19	U8
IO205PB6F19	V8
IO206NB6F19	V5
IO206PB6F19	V6
IO207NB6F19	Y1
IO207PB6F19	AA1
IO208NB6F19	W4
IO208PB6F19	Y4
IO209NB6F19	T7
IO209PB6F19	U7
IO210NB6F19	W2
IO210PB6F19	Y2
IO211NB6F19	U5
IO211PB6F19	U6
IO212NB6F19	V3
IO212PB6F19	W3
IO213NB6F19	R9
IO213PB6F19	T8
IO214NB6F20	U4
IO214PB6F20	V4
IO215NB6F20	T5
IO215PB6F20	T6
IO216NB6F20	V1
IO216PB6F20	W1
IO217NB6F20	R7
IO217PB6F20	R8
IO218NB6F20	U2

BG729	
AX1000 Function	Pin Number
IO218PB6F20	V2
IO219NB6F20	T1
IO219PB6F20	U1
IO220NB6F20	R5
IO220PB6F20	R6
IO221NB6F20	T3
IO221PB6F20	T4
IO222NB6F20	R2
IO222PB6F20	T2
IO223NB6F20	P8
IO223PB6F20	P9
IO224NB6F20	R3
IO224PB6F20	R4
Bank 7	
IO225NB7F21	P1
IO225PB7F21	R1
IO226NB7F21	P3
IO226PB7F21	P2
IO227NB7F21	N7
IO227PB7F21	P7
IO228NB7F21	P5
IO228PB7F21	P4
IO229NB7F21	N2
IO229PB7F21	N1
IO230NB7F21	N6
IO230PB7F21	P6
IO231NB7F21	N9
IO231PB7F21	N8
IO232NB7F21	N4
IO232PB7F21	N3
IO233NB7F21	M2
IO233PB7F21	M1
IO234NB7F21	M4
IO234PB7F21	M3
IO235NB7F21	M5
IO235PB7F21	N5
IO236NB7F22	L2

BG729	
AX1000 Function	Pin Number
IO236PB7F22	L1
IO237NB7F22	L4
IO237PB7F22	L3
IO238NB7F22	L6
IO238PB7F22	M6
IO239NB7F22	M8
IO239PB7F22	M7
IO240NB7F22	K2
IO240PB7F22	K1
IO241NB7F22	K4
IO241PB7F22	K3
IO242NB7F22	K5
IO242PB7F22	L5
IO243NB7F22	J2
IO243PB7F22	J1
IO244NB7F22	J4
IO244PB7F22	J3
IO245NB7F22	H2
IO245PB7F22	H1
IO246NB7F22	H4
IO246PB7F22	H3
IO247NB7F23	L8
IO247PB7F23	L7
IO248NB7F23	J6
IO248PB7F23	K6
IO249NB7F23	H5
IO249PB7F23	J5
IO250NB7F23	G2
IO250PB7F23	G1
IO251NB7F23	K8
IO251PB7F23	K7
IO252NB7F23	G4
IO252PB7F23	G3
IO253NB7F23	F2
IO253PB7F23	F1
IO254NB7F23	G6
IO254PB7F23	H6

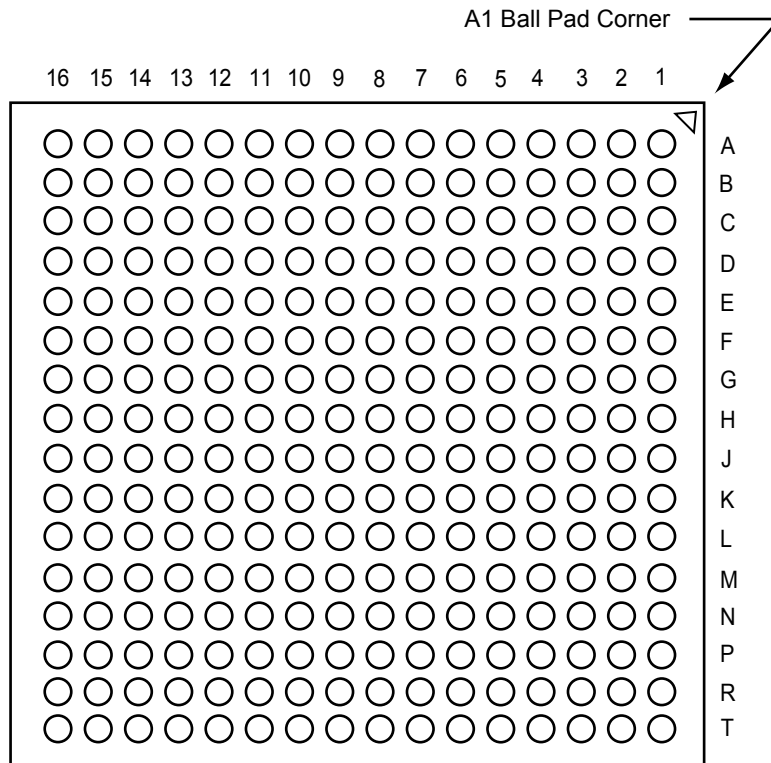
BG729	
AX1000 Function	Pin Number
IO255NB7F23	F5
IO255PB7F23	G5
IO256NB7F23	F3
IO256PB7F23	F4
IO257NB7F23	H7
IO257PB7F23	J7
Dedicated I/O	
GND	A1
GND	A2
GND	A25
GND	A26
GND	A27
GND	A3
GND	AC24
GND	AE1
GND	AE2
GND	AE25
GND	AE26
GND	AE27
GND	AE3
GND	AE5
GND	AF1
GND	AF2
GND	AF25
GND	AF26
GND	AF27
GND	AF3
GND	AG1
GND	AG2
GND	AG25
GND	AG26
GND	AG27
GND	AG3
GND	B1
GND	B2
GND	B25
GND	B26

BG729		BG729		BG729	
AX1000 Function	Pin Number	AX1000 Function	Pin Number	AX1000 Function	Pin Number
GND	B27	GND	R11	VCCA	K11
GND	B3	GND	R12	VCCA	K17
GND	C1	GND	R13	VCCA	K18
GND	C2	GND	R14	VCCA	L10
GND	C25	GND	R15	VCCA	L18
GND	C26	GND	R16	VCCA	U10
GND	C27	GND	R17	VCCA	U18
GND	C3	GND	T11	VCCA	V10
GND	E27	GND	T12	VCCA	V11
GND	L11	GND	T13	VCCA	V17
GND	L12	GND	T14	VCCA	V18
GND	L13	GND	T15	VCCPLA	A13
GND	L14	GND	T16	VCCPLB	J13
GND	L15	GND	T17	VCCPLC	B15
GND	L16	GND	U11	VCCPLD	C15
GND	L17	GND	U12	VCCPLE	AG14
GND	M11	GND	U13	VCCPLF	AF14
GND	M12	GND	U14	VCCPLG	AB13
GND	M13	GND	U15	VCCPLH	AG13
GND	M14	GND	U16	VCCDA	A11
GND	M15	GND	U17	VCCDA	AB12
GND	M16	GND/LP	J8	VCCDA	AC12
GND	M17	NC	U3	VCCDA	AC25
GND	N11	PRA	J14	VCCDA	AD16
GND	N12	PRB	D14	VCCDA	AD17
GND	N13	PRC	V14	VCCDA	E16
GND	N14	PRD	AB14	VCCDA	E2
GND	N15	TCK	E4	VCCDA	E24
GND	N16	TDI	D4	VCCDA	F12
GND	N17	TDO	J9	VCCDA	F16
GND	P11	TMS	H8	VCCDA	F7
GND	P12	TRST	E3	VCCDA	K14
GND	P13	VCCA	AA21	VCCDA	P10
GND	P14	VCCA	AD5	VCCDA	P18
GND	P15	VCCA	E1	VCCDA	W14
GND	P16	VCCA	G22	VCCDA	W9
GND	P17	VCCA	K10	VCCIB0	A4

BG729	
AX1000 Function	Pin Number
VCCIB0	B4
VCCIB0	C4
VCCIB0	J10
VCCIB0	J11
VCCIB0	J12
VCCIB0	K12
VCCIB0	K13
VCCIB1	A24
VCCIB1	B24
VCCIB1	C24
VCCIB1	J16
VCCIB1	J17
VCCIB1	J18
VCCIB1	K15
VCCIB1	K16
VCCIB2	D25
VCCIB2	D26
VCCIB2	D27
VCCIB2	K19
VCCIB2	L19
VCCIB2	M18
VCCIB2	M19
VCCIB2	N18
VCCIB3	AD25
VCCIB3	AD26
VCCIB3	AD27
VCCIB3	R18
VCCIB3	T18
VCCIB3	T19
VCCIB3	U19
VCCIB3	V19
VCCIB4	AE24
VCCIB4	AF24
VCCIB4	AG24
VCCIB4	V15
VCCIB4	V16
VCCIB4	W16

BG729	
AX1000 Function	Pin Number
VCCIB4	W17
VCCIB4	W18
VCCIB5	AE4
VCCIB5	AF4
VCCIB5	AG4
VCCIB5	V12
VCCIB5	V13
VCCIB5	W10
VCCIB5	W11
VCCIB5	W12
VCCIB6	AD1
VCCIB6	AD2
VCCIB6	AD3
VCCIB6	R10
VCCIB6	T10
VCCIB6	T9
VCCIB6	U9
VCCIB6	V9
VCCIB7	D1
VCCIB7	D2
VCCIB7	D3
VCCIB7	K9
VCCIB7	L9
VCCIB7	M10
VCCIB7	M9
VCCIB7	N10
VCOMPLA	B13
VCOMPLB	A14
VCOMPLC	A15
VCOMPLD	J15
VCOMPLE	AG15
VCOMPLF	W15
VCOMPLG	AC14
VCOMPLH	W13
VPUMP	D24

FG256



Note

For Package Manufacturing and Environmental information, visit Resource center at <http://www.microsemi.com/soc/products/rescenter/package/index.html>.

FG256-Pin FBGA	
AX125 Function	Pin Number
Bank 0	
IO01NB0F0	B4
IO01PB0F0	B3
IO03NB0F0	A4
IO03PB0F0	A3
IO04NB0F0	B6
IO04PB0F0	B5
IO06NB0F0	A6
IO06PB0F0	A5
IO07NB0F0/HCLKAN	B8
IO07PB0F0/HCLKAP	B7
IO08NB0F0/HCLKBN	A9
IO08PB0F0/HCLKBP	A8
Bank 1	
IO09NB1F1/HCLKCN	C10
IO09PB1F1/HCLKCP	C9
IO10NB1F1/HCLKDN	B11
IO10PB1F1/HCLKDP	B10
IO12NB1F1	A13
IO12PB1F1	A12
IO13NB1F1	B13
IO13PB1F1	B12
IO14NB1F1	C12
IO14PB1F1	C11
IO15NB1F1	A15
IO15PB1F1	B14
IO16NB1F1	C15
IO16PB1F1	C14
IO17NB1F1	D13
IO17PB1F1	D12
Bank 2	
IO18NB2F2	F13
IO18PB2F2	E13
IO19NB2F2	F14
IO19PB2F2	E14

FG256-Pin FBGA	
AX125 Function	Pin Number
IO20NB2F2	F15
IO20PB2F2	E15
IO21NB2F2	C16
IO21PB2F2	B16
IO22NB2F2	H13
IO22PB2F2	G13
IO23NB2F2	E16
IO23PB2F2	D16
IO25NB2F2	H15
IO25PB2F2	G15
IO26NB2F2	H14
IO26PB2F2	G14
IO27NB2F2	G16
IO27PB2F2	F16
IO28NB2F2	K15
IO28PB2F2	K16
IO29NB2F2	J16
IO29PB2F2	H16
Bank 3	
IO30NB3F3	K13
IO30PB3F3	J13
IO31NB3F3	K14
IO31PB3F3	J14
IO33NB3F3	L15
IO33PB3F3	L16
IO35NB3F3	P16
IO35PB3F3	N16
IO36PB3F3	M16
IO37NB3F3	P15
IO37PB3F3	R16
IO39NB3F3	N15
IO39PB3F3	M15
IO40NB3F3	M13
IO40PB3F3	L13
IO41NB3F3	M14

FG256-Pin FBGA	
AX125 Function	Pin Number
IO41PB3F3	L14
Bank 4	
IO42NB4F4	N12
IO42PB4F4	N13
IO43NB4F4	T14
IO43PB4F4	R14
IO44PB4F4	T15
IO45NB4F4	R12
IO45PB4F4	R13
IO46NB4F4	P11
IO46PB4F4	P12
IO47PB4F4	T11
IO48NB4F4	T12
IO48PB4F4	T13
IO49NB4F4/CLKEN	R9
IO49PB4F4/CLKEP	R10
IO50NB4F4/CLKFN	T8
IO50PB4F4/CLKFP	T9
Bank 5	
IO51NB5F5/CLKGN	P7
IO51PB5F5/CLKGP	P8
IO52NB5F5/CLKHN	R6
IO52PB5F5/CLKHP	R7
IO54NB5F5	T5
IO54PB5F5	T6
IO55NB5F5	P5
IO55PB5F5	P6
IO56NB5F5	T3
IO56PB5F5	T4
IO57NB5F5	R3
IO57PB5F5	R4
IO58NB5F5	R1
IO58PB5F5	T2
IO59NB5F5	N4
IO59PB5F5	N5

FG256-Pin FBGA	
AX125 Function	Pin Number
Bank 6	
IO60NB6F6	L4
IO60PB6F6	M4
IO61NB6F6	L3
IO61PB6F6	M3
IO63NB6F6	P2
IO63PB6F6	N2
IO64NB6F6	J4
IO64PB6F6	K4
IO65NB6F6	N1
IO65PB6F6	P1
IO67NB6F6	L2
IO67PB6F6	M2
IO69NB6F6	L1
IO69PB6F6	M1
IO70NB6F6	J3
IO70PB6F6	K3
IO71NB6F6	J2
IO71PB6F6	K2
Bank 7	
IO72NB7F7	J1
IO72PB7F7	K1
IO73NB7F7	G2
IO73PB7F7	H2
IO74NB7F7	G3
IO74PB7F7	H3
IO75NB7F7	E1
IO75PB7F7	F1
IO76NB7F7	G1
IO77NB7F7	E2
IO77PB7F7	F2
IO78NB7F7	G4
IO78PB7F7	H4
IO79NB7F7	C1
IO79PB7F7	D1

FG256-Pin FBGA	
AX125 Function	Pin Number
IO81NB7F7	C2
IO81PB7F7	B1
IO82NB7F7	D2
IO82PB7F7	D3
IO83NB7F7	E3
IO83PB7F7	F3
Dedicated I/O	
VCCDA	E4
GND	A1
GND	A16
GND	B15
GND	B2
GND	D15
GND	E12
GND	E5
GND	F11
GND	F6
GND	G10
GND	G7
GND	G8
GND	G9
GND	H10
GND	H7
GND	H8
GND	H9
GND	J10
GND	J7
GND	J8
GND	J9
GND	K10
GND	K7
GND	K8
GND	K9
GND	L11
GND	L6

FG256-Pin FBGA	
AX125 Function	Pin Number
GND	M12
GND	M5
GND	P13
GND	P3
GND	R15
GND	R2
GND	T1
GND	T16
GND/LP	D4
NC	A11
NC	R11
NC	R5
PRA	D8
PRB	C8
PRC	N9
PRD	P9
TCK	D5
TDI	C6
TDO	C4
TMS	C3
TRST	C5
VCCA	D14
VCCA	F10
VCCA	F4
VCCA	F7
VCCA	F8
VCCA	F9
VCCA	G11
VCCA	G6
VCCA	H11
VCCA	H6
VCCA	J11
VCCA	J6
VCCA	K11
VCCA	K6

FG256-Pin FBGA	
AX125 Function	Pin Number
VCCA	L10
VCCA	L7
VCCA	L8
VCCA	L9
VCCA	N3
VCCA	P14
VCCPLA	C7
VCCPLB	D6
VCCPLC	A10
VCCPLD	D10
VCCPLE	P10
VCCPLF	N11
VCCPLG	T7
VCCPLH	N7
VCCDA	A2
VCCDA	C13
VCCDA	D9
V _{CCDA}	H1
VCCDA	J15
VCCDA	N14
VCCDA	N8
VCCDA	P4
VCCIB0	E6
VCCIB0	E7
VCCIB0	E8
VCCIB1	E10
VCCIB1	E11
VCCIB1	E9
VCCIB2	F12
VCCIB2	G12
VCCIB2	H12
VCCIB3	J12
VCCIB3	K12
VCCIB3	L12
VCCIB4	M10

FG256-Pin FBGA	
AX125 Function	Pin Number
VCCIB4	M11
VCCIB4	M9
VCCIB5	M6
VCCIB5	M7
VCCIB5	M8
VCCIB6	J5
VCCIB6	K5
VCCIB6	L5
VCCIB7	F5
VCCIB7	G5
VCCIB7	H5
VCOMPLA	A7
VCOMPLB	D7
VCOMPLC	B9
VCOMPLD	D11
VCOMPLE	T10
VCOMPLF	N10
VCOMPLG	R8
VCOMPLH	N6
VPUMP	A14

FG256	
AX250 Function	Pin Number
Bank 0	
IO01NB0F0	B4
IO01PB0F0	B3
IO03NB0F0	A4
IO03PB0F0	A3
IO05NB0F0	B6
IO05PB0F0	B5
IO07NB0F0	A6
IO07PB0F0	A5
IO12NB0F0/HCLKAN	B8
IO12PB0F0/HCLKAP	B7
IO13NB0F0/HCLKBN	A9
IO13PB0F0/HCLKBP	A8
Bank 1	
IO14NB1F1/HCLKCN	C10
IO14PB1F1/HCLKCP	C9
IO15NB1F1/HCLKDN	B11
IO15PB1F1/HCLKDP	B10
IO17NB1F1	A13
IO17PB1F1	A12
IO19NB1F1	B13
IO19PB1F1	B12
IO21NB1F1	C12
IO21PB1F1	C11
IO23NB1F1	A15
IO23PB1F1	B14
IO26NB1F1	C15
IO26PB1F1	C14
IO27NB1F1	D13
IO27PB1F1	D12
Bank 2	
IO29NB2F2	F13
IO29PB2F2	E13
IO30NB2F2	F14
IO30PB2F2	E14

FG256	
AX250 Function	Pin Number
IO32NB2F2	C16
IO32PB2F2	B16
IO33NB2F2	F15
IO33PB2F2	E15
IO35NB2F2	H13
IO35PB2F2	G13
IO36NB2F2	E16
IO36PB2F2	D16
IO38NB2F2	H15
IO38PB2F2	G15
IO39NB2F2	H14
IO39PB2F2	G14
IO40NB2F2	G16
IO40PB2F2	F16
IO43NB2F2	K15
IO43PB2F2	K16
IO44NB2F2	J16
IO44PB2F2	H16
Bank 3	
IO45NB3F3	K13
IO45PB3F3	J13
IO46NB3F3	K14
IO46PB3F3	J14
IO52NB3F3	L15
IO52PB3F3	L16
IO54NB3F3	P16
IO54PB3F3	N16
IO55PB3F3	M16
IO56NB3F3	P15
IO56PB3F3	R16
IO58NB3F3	N15
IO58PB3F3	M15
IO59NB3F3	M13
IO59PB3F3	L13
IO61NB3F3	M14

FG256	
AX250 Function	Pin Number
IO61PB3F3	L14
Bank 4	
IO62NB4F4	N12
IO62PB4F4	N13
IO63NB4F4	T14
IO63PB4F4	R14
IO66PB4F4	T15
IO67NB4F4	R12
IO67PB4F4	R13
IO69NB4F4	P11
IO69PB4F4	P12
IO70PB4F4	T11
IO73NB4F4	T12
IO73PB4F4	T13
IO74NB4F4/CLKEN	R9
IO74PB4F4/CLKEP	R10
IO75NB4F4/CLKFN	T8
IO75PB4F4/CLKFP	T9
Bank 5	
IO76NB5F5/CLKGN	P7
IO76PB5F5/CLKGP	P8
IO77NB5F5/CLKHN	R6
IO77PB5F5/CLKHP	R7
IO79NB5F5	T5
IO79PB5F5	T6
IO81NB5F5	P5
IO81PB5F5	P6
IO83NB5F5	T3
IO83PB5F5	T4
IO85NB5F5	R3
IO85PB5F5	R4
IO88NB5F5	R1
IO88PB5F5	T2
IO89NB5F5	N4
IO89PB5F5	N5

FG256		FG256		FG256	
AX250 Function	Pin Number	AX250 Function	Pin Number	AX250 Function	Pin Number
Bank 6		IO117NB7F7	C2	GND	M12
IO91NB6F6	L4	IO117PB7F7	B1	GND	M5
IO91PB6F6	M4	IO118NB7F7	D2	GND	P13
IO92NB6F6	L3	IO118PB7F7	D3	GND	P3
IO92PB6F6	M3	IO119NB7F7	E3	GND	R15
IO94NB6F6	P2	IO119PB7F7	F3	GND	R2
IO94PB6F6	N2	Dedicated I/O		GND	T1
IO97NB6F6	J4	VCCDA	E4	GND	T16
IO97PB6F6	K4	GND	A1	GND/LP	D4
IO98NB6F6	N1	GND	A16	PRA	D8
IO98PB6F6	P1	GND	B15	PRB	C8
IO100NB6F6	L2	GND	B2	PRC	N9
IO100PB6F6	M2	GND	D15	PRD	P9
IO102NB6F6	L1	GND	E12	TCK	D5
IO102PB6F6	M1	GND	E5	TDI	C6
IO103NB6F6	J3	GND	F11	TDO	C4
IO103PB6F6	K3	GND	F6	TMS	C3
IO104NB6F6	J2	GND	G10	TRST	C5
IO104PB6F6	K2	GND	G7	VCCA	D14
Bank 7		GND	G8	VCCA	F10
IO107NB7F7	J1	GND	G9	VCCA	F4
IO107PB7F7	K1	GND	H10	VCCA	F7
IO108NB7F7	G2	GND	H7	VCCA	F8
IO108PB7F7	H2	GND	H8	VCCA	F9
IO111NB7F7	G3	GND	H9	VCCA	G11
IO111PB7F7	H3	GND	J10	VCCA	G6
IO112NB7F7	E1	GND	J7	VCCA	H11
IO112PB7F7	F1	GND	J8	VCCA	H6
IO113NB7F7	G1	GND	J9	VCCA	J11
IO114NB7F7	E2	GND	K10	VCCA	J6
IO114PB7F7	F2	GND	K7	VCCA	K11
IO115NB7F7	G4	GND	K8	VCCA	K6
IO115PB7F7	H4	GND	K9	VCCA	L10
IO116NB7F7	C1	GND	L11	VCCA	L7
IO116PB7F7	D1	GND	L6	VCCA	L8

FG256	
AX250 Function	Pin Number
VCCA	L9
VCCA	N3
VCCA	P14
VCCPLA	C7
VCCPLB	D6
VCCPLC	A10
VCCPLD	D10
VCCPLE	P10
VCCPLF	N11
VCCPLG	T7
VCCPLH	N7
VCCDA	A11
VCCDA	A2
VCCDA	C13
VCCDA	D9
VCCDA	H1
VCCDA	J15
VCCDA	N14
VCCDA	N8
VCCDA	P4
VCCDA	R11
VCCDA	R5
VCCIB0	E6
VCCIB0	E7
VCCIB0	E8
VCCIB1	E10
VCCIB1	E11
VCCIB1	E9
VCCIB2	F12
VCCIB2	G12
VCCIB2	H12
VCCIB3	J12
VCCIB3	K12
VCCIB3	L12
VCCIB4	M10

FG256	
AX250 Function	Pin Number
VCCIB4	M11
VCCIB4	M9
VCCIB5	M6
VCCIB5	M7
VCCIB5	M8
VCCIB6	J5
VCCIB6	K5
VCCIB6	L5
VCCIB7	F5
VCCIB7	G5
VCCIB7	H5
VCOMPLA	A7
VCOMPLB	D7
VCOMPLC	B9
VCOMPLD	D11
VCOMPLE	T10
VCOMPLF	N10
VCOMPLG	R8
VCOMPLH	N6
VPUMP	A14

FG324



Note

For Package Manufacturing and Environmental information, visit Resource center at <http://www.microsemi.com/soc/products/rescenter/package/index.html>.

FG324	
AX125 Function	Pin Number
Bank 0	
IO00NB0F0	C5
IO00PB0F0	C4
IO01NB0F0	A3
IO01PB0F0	A2
IO02NB0F0	C7
IO02PB0F0	C6
IO03NB0F0	B5
IO03PB0F0	B4
IO04NB0F0	A5
IO04PB0F0	A4
IO05NB0F0	A7
IO05PB0F0	A6
IO06NB0F0	B7
IO06PB0F0	B6
IO07NB0F0/HCLKAN	C9
IO07PB0F0/HCLKAP	C8
IO08NB0F0/HCLKBN	B10
IO08PB0F0/HCLKBP	B9
Bank 1	
IO09NB1F1/HCLKCN	D11
IO09PB1F1/HCLKCP	D10
IO10NB1F1/HCLKDN	C12
IO10PB1F1/HCLKDP	C11
IO11NB1F1	A15
IO11PB1F1	A14
IO12NB1F1	B14
IO12PB1F1	B13
IO13NB1F1	A17
IO13PB1F1	A16
IO14NB1F1	D13
IO14PB1F1	D12
IO15NB1F1	C14
IO15PB1F1	C13
IO16NB1F1	B16

FG324	
AX125 Function	Pin Number
IO16PB1F1	C15
IO17NB1F1	E14
IO17PB1F1	E13
Bank 2	
IO18NB2F2	G14
IO18PB2F2	F14
IO19NB2F2	D16
IO19PB2F2	D15
IO20NB2F2	C18
IO20PB2F2	B18
IO21NB2F2	D17
IO21PB2F2	C17
IO22NB2F2	F17
IO22PB2F2	E17
IO23NB2F2	G16
IO23PB2F2	F16
IO24NB2F2	E18
IO24PB2F2	D18
IO25NB2F2	G18
IO25PB2F2	F18
IO26NB2F2	H17
IO26PB2F2	G17
IO27NB2F2	J16
IO27PB2F2	H16
IO28NB2F2	J18
IO28PB2F2	H18
IO29NB2F2	K17
IO29PB2F2	J17
Bank 3	
IO30NB3F3	N18
IO30PB3F3	M18
IO31NB3F3	L18
IO31PB3F3	K18
IO32NB3F3	L16
IO32PB3F3	L17

FG324	
AX125 Function	Pin Number
IO33NB3F3	R18
IO33PB3F3	P18
IO34NB3F3	N15
IO34PB3F3	M15
IO35NB3F3	M16
IO35PB3F3	M17
IO36NB3F3	P16
IO36PB3F3	N16
IO37NB3F3	R17
IO37PB3F3	P17
IO38NB3F3	N14
IO38PB3F3	M14
IO39NB3F3	U18
IO39PB3F3	T18
IO40NB3F3	R16
IO40PB3F3	T17
IO41NB3F3	P13
IO41PB3F3	P14
Bank 4	
IO42NB4F4	T13
IO42PB4F4	T14
IO43NB4F4	U15
IO43PB4F4	T15
IO44NB4F4	U13
IO44PB4F4	U14
IO45NB4F4	V15
IO45PB4F4	V16
IO46NB4F4	V13
IO46PB4F4	V14
IO47NB4F4	V12
IO47PB4F4	U12
IO48NB4F4	V10
IO48PB4F4	V11
IO49NB4F4/CLKEN	T10
IO49PB4F4/CLKEP	T11

FG324	
AX125 Function	Pin Number
IO50NB4F4/CLKFN	U9
IO50PB4F4/CLKFP	U10
Bank 5	
IO51NB5F5/CLKGN	R8
IO51PB5F5/CLKGP	R9
IO52NB5F5/CLKHN	T7
IO52PB5F5/CLKHP	T8
IO53NB5F5	U6
IO53PB5F5	U7
IO54NB5F5	V8
IO54PB5F5	V9
IO55NB5F5	V6
IO55PB5F5	V7
IO56NB5F5	U4
IO56PB5F5	U5
IO57NB5F5	T4
IO57PB5F5	T5
IO58NB5F5	V4
IO58PB5F5	V5
IO59NB5F5	V2
IO59PB5F5	V3
Bank 6	
IO60NB6F6	P5
IO60PB6F6	P6
IO61NB6F6	T2
IO61PB6F6	U3
IO62NB6F6	T1
IO62PB6F6	U1
IO63NB6F6	P1
IO63PB6F6	R1
IO64NB6F6	R3
IO64PB6F6	P3
IO65NB6F6	P2
IO65PB6F6	R2
IO66NB6F6	M3

FG324	
AX125 Function	Pin Number
IO66PB6F6	N3
IO67NB6F6	M2
IO67PB6F6	N2
IO68NB6F6	M1
IO68PB6F6	N1
IO69NB6F6	K4
IO69PB6F6	L4
IO70NB6F6	K1
IO70PB6F6	L1
IO71NB6F6	K3
IO71PB6F6	L3
Bank 7	
IO72NB7F7	H4
IO72PB7F7	J4
IO73NB7F7	K2
IO73PB7F7	L2
IO74NB7F7	H2
IO74PB7F7	H1
IO75NB7F7	H3
IO75PB7F7	J3
IO76NB7F7	F2
IO76PB7F7	G2
IO77NB7F7	F1
IO77PB7F7	G1
IO78NB7F7	D2
IO78PB7F7	E2
IO79NB7F7	F3
IO79PB7F7	G3
IO80NB7F7	E3
IO80PB7F7	E4
IO81NB7F7	D1
IO81PB7F7	E1
IO82NB7F7	D3
IO82PB7F7	C2
IO83NB7F7	B1

FG324	
AX125 Function	Pin Number
IO83PB7F7	C1
Dedicated I/O	
VCCDA	F5
GND	A1
GND	A18
GND	B17
GND	B2
GND	C16
GND	C3
GND	E16
GND	F13
GND	F6
GND	G12
GND	G7
GND	H10
GND	H11
GND	H8
GND	H9
GND	J10
GND	J11
GND	J8
GND	J9
GND	K10
GND	K11
GND	K8
GND	K9
GND	L10
GND	L11
GND	L8
GND	L9
GND	M12
GND	M7
GND	N13
GND	N6
GND	R14

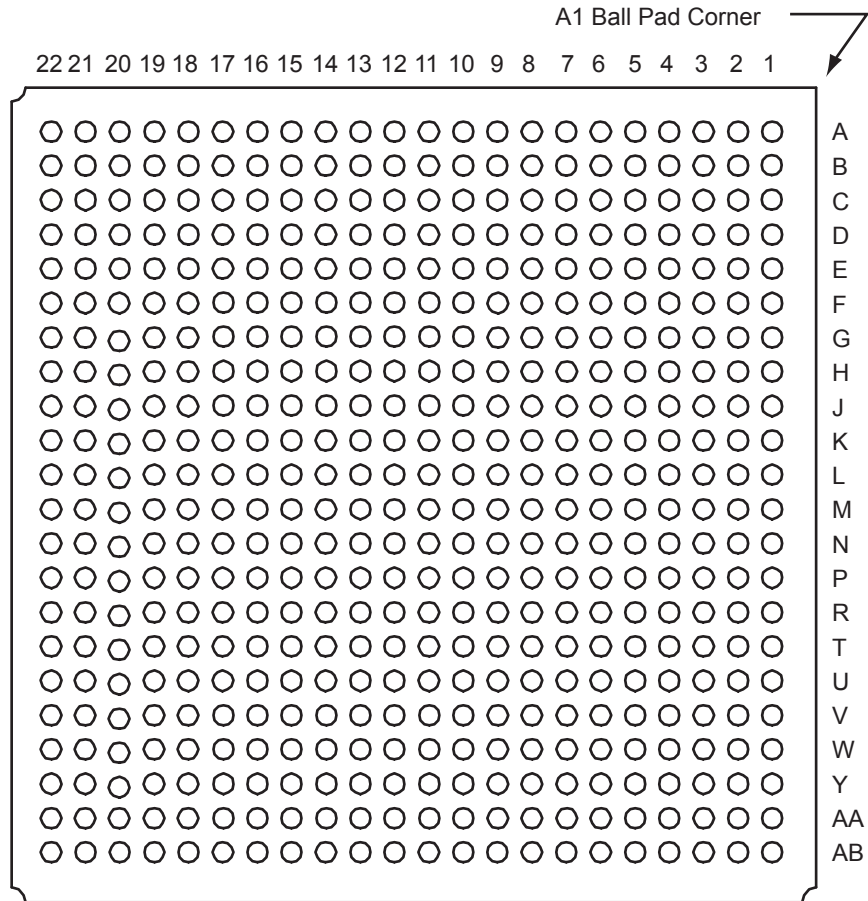
FG324	
AX125 Function	Pin Number
GND	R4
GND	T16
GND	T3
GND	U17
GND	U2
GND	V1
GND	V18
GND/LP	E5
NC	A10
NC	A11
NC	A12
NC	A13
NC	A8
NC	A9
NC	B12
NC	F15
NC	F4
NC	G15
NC	G4
NC	H14
NC	H15
NC	H5
NC	J1
NC	J14
NC	J15
NC	J5
NC	K14
NC	K15
NC	K5
NC	L14
NC	L15
NC	L5
NC	M4
NC	M5
NC	N17

FG324	
AX125 Function	Pin Number
NC	N4
NC	N5
NC	R12
NC	R13
NC	R6
NC	R7
NC	T12
NC	T6
NC	U16
NC	V17
PRA	E9
PRB	D9
PRC	P10
PRD	R10
TCK	E6
TDI	D7
TDO	D5
TMS	D4
TRST	D6
VCCA	E15
VCCA	G10
VCCA	G11
VCCA	G5
VCCA	G8
VCCA	G9
VCCA	H12
VCCA	H7
VCCA	J12
VCCA	J7
VCCA	K12
VCCA	K7
VCCA	L12
VCCA	L7
VCCA	M10
VCCA	M11

FG324	
AX125 Function	Pin Number
VCCA	M8
VCCA	M9
VCCA	P4
VCCA	R15
VCCPLA	D8
VCCPLB	E7
VCCPLC	B11
VCCPLD	E11
VCCPLE	R11
VCCPLF	P12
VCCPLG	U8
VCCPLH	P8
VCCDA	B3
VCCDA	D14
VCCDA	E10
VCCDA	J2
VCCDA	K16
VCCDA	P15
VCCDA	P9
VCCDA	R5
VCCIB0	F7
VCCIB0	F8
VCCIB0	F9
VCCIB1	F10
VCCIB1	F11
VCCIB1	F12
VCCIB2	G13
VCCIB2	H13
VCCIB2	J13
VCCIB3	K13
VCCIB3	L13
VCCIB3	M13
VCCIB4	N10
VCCIB4	N11
VCCIB4	N12

FG324	
AX125 Function	Pin Number
VCCIB5	N7
VCCIB5	N8
VCCIB5	N9
VCCIB6	K6
VCCIB6	L6
VCCIB6	M6
VCCIB7	G6
VCCIB7	H6
VCCIB7	J6
VCOMPLA	B8
VCOMPLB	E8
VCOMPLC	C10
VCOMPLD	E12
VCOMPLE	U11
VCOMPLF	P11
VCOMPLG	T9
VCOMPLH	P7
VPUMP	B15

FG484



Note

For Package Manufacturing and Environmental information, visit Resource center at <http://www.microsemi.com/soc/products/rescenter/package/index.html>.

FG484		FG484		FG484	
AX250 Function	Pin Number	AX250 Function	Pin Number	AX250 Function	Pin Number
Bank 0		IO17NB1F1	B14	IO34PB2F2	D22
IO00NB0F0	D7	IO17PB1F1	B13	IO35NB2F2	J18
IO00PB0F0	D6	IO18NB1F1	A14	IO35PB2F2	H18
IO01NB0F0	E7	IO18PB1F1	A13	IO36NB2F2	G21
IO01PB0F0	E6	IO19NB1F1	A16	IO36PB2F2	F21
IO02NB0F0	C5	IO19PB1F1	A15	IO37NB2F2	K19
IO02PB0F0	C4	IO20NB1F1	B16	IO37PB2F2	J19
IO03NB0F0	C7	IO20PB1F1	B15	IO38NB2F2	J20
IO03PB0F0	C6	IO21NB1F1	C17	IO38PB2F2	H20
IO04NB0F0	E9	IO21PB1F1	C16	IO39NB2F2	L16
IO04PB0F0	E8	IO22NB1F1	F15	IO39PB2F2	K16
IO05NB0F0	D9	IO22PB1F1	F14	IO40NB2F2	J21
IO05PB0F0	D8	IO23NB1F1	D16	IO40PB2F2	H21
IO06NB0F0	B7	IO23PB1F1	D15	IO41NB2F2	L17
IO06PB0F0	B6	IO24NB1F1	E16	IO41PB2F2	K17
IO07NB0F0	C9	IO24PB1F1	E15	IO42NB2F2	J22
IO07PB0F0	C8	IO25NB1F1	F18	IO42PB2F2	H22
IO08NB0F0	A7	IO25PB1F1	F17	IO43NB2F2	L18
IO08PB0F0	A6	IO26NB1F1	D18	IO43PB2F2	K18
IO09NB0F0	B9	IO26PB1F1	E17	IO44NB2F2	L20
IO09PB0F0	B8	IO27NB1F1	G16	IO44PB2F2	K20
IO10NB0F0	A9	IO27PB1F1	G15	Bank 3	
IO10PB0F0	A8	Bank 2		IO45NB3F3	M19
IO11NB0F0	B10	IO28NB2F2	F19	IO45PB3F3	L19
IO11PB0F0	A10	IO28PB2F2	E19	IO46NB3F3	M21
IO12NB0F0/HCLKAN	E11	IO29NB2F2	J16	IO46PB3F3	L21
IO12PB0F0/HCLKAP	E10	IO29PB2F2	H16	IO47NB3F3	N17
IO13NB0F0/HCLKBN	D12	IO30NB2F2	E20	IO47PB3F3	M17
IO13PB0F0/HCLKBP	D11	IO30PB2F2	D20	IO48NB3F3	N18
Bank 1		IO31NB2F2	J17	IO48PB3F3	N19
IO14NB1F1/HCLKCN	F13	IO31PB2F2	H17	IO49NB3F3	N16
IO14PB1F1/HCLKCP	F12	IO32NB2F2	G20	IO49PB3F3	M16
IO15NB1F1/HCLKDN	E14	IO32PB2F2	F20	IO50NB3F3	N20
IO15PB1F1/HCLKDP	E13	IO33NB2F2	H19	IO50PB3F3	M20
IO16NB1F1	C13	IO33PB2F2	G19	IO51NB3F3	P21
IO16PB1F1	C12	IO34NB2F2	E22	IO51PB3F3	N21

FG484		FG484		FG484	
AX250 Function	Pin Number	AX250 Function	Pin Number	AX250 Function	Pin Number
IO52NB3F3	P18	IO69PB4F4	AA17	IO87NB5F5	Y4
IO52PB3F3	P19	IO70NB4F4	AB14	IO87PB5F5	Y5
IO53NB3F3	R20	IO70PB4F4	AB15	IO88NB5F5	V6
IO53PB3F3	P20	IO71NB4F4	Y14	IO88PB5F5	V7
IO54NB3F3	T21	IO71PB4F4	W14	IO89NB5F5	T7
IO54PB3F3	R21	IO72NB4F4	AA14	IO89PB5F5	T8
IO55NB3F3	R17	IO72PB4F4	AA15	Bank 6	
IO55PB3F3	P17	IO73NB4F4	AA13	IO90NB6F6	V4
IO56NB3F3	U20	IO73PB4F4	AB13	IO90PB6F6	W5
IO56PB3F3	T20	IO74NB4F4/CLKEN	V12	IO91NB6F6	P7
IO57NB3F3	T18	IO74PB4F4/CLKEP	V13	IO91PB6F6	R7
IO57PB3F3	R18	IO75NB4F4/CLKFN	W11	IO92NB6F6	U5
IO58NB3F3	U19	IO75PB4F4/CLKFP	W12	IO92PB6F6	T5
IO58PB3F3	T19	Bank 5		IO93NB6F6	P6
IO59NB3F3	R16	IO76NB5F5/CLKGN	U10	IO93PB6F6	R6
IO59PB3F3	P16	IO76PB5F5/CLKGP	U11	IO94NB6F6	T4
IO60NB3F3	W20	IO77NB5F5/CLKHN	V9	IO94PB6F6	U4
IO60PB3F3	V20	IO77PB5F5/CLKHP	V10	IO95NB6F6	P5
IO61NB3F3	U18	IO78NB5F5	AA9	IO95PB6F6	R5
IO61PB3F3	V19	IO78PB5F5	AA10	IO96NB6F6	T3
Bank 4		IO79NB5F5	AB9	IO96PB6F6	U3
IO62NB4F4	T15	IO79PB5F5	AB10	IO97NB6F6	P3
IO62PB4F4	T16	IO80NB5F5	AA7	IO97PB6F6	R3
IO63NB4F4	W17	IO80PB5F5	AA8	IO98NB6F6	R2
IO63PB4F4	V17	IO81NB5F5	W8	IO98PB6F6	T2
IO64NB4F4	V15	IO81PB5F5	W9	IO99NB6F6	P4
IO64PB4F4	V16	IO82NB5F5	AB5	IO99PB6F6	R4
IO65NB4F4	Y19	IO82PB5F5	AB6	IO100NB6F6	P1
IO65PB4F4	W18	IO83NB5F5	AA5	IO100PB6F6	R1
IO66NB4F4	AB18	IO83PB5F5	AA6	IO101NB6F6	M7
IO66PB4F4	AB19	IO84NB5F5	U8	IO101PB6F6	N7
IO67NB4F4	W15	IO84PB5F5	U9	IO102NB6F6	N2
IO67PB4F4	W16	IO85NB5F5	Y6	IO102PB6F6	P2
IO68NB4F4	U14	IO85PB5F5	Y7	IO103NB6F6	M6
IO68PB4F4	U15	IO86NB5F5	W6	IO103PB6F6	N6
IO69NB4F4	AA16	IO86PB5F5	W7	IO104NB6F6	M4

FG484		FG484		FG484	
AX250 Function	Pin Number	AX250 Function	Pin Number	AX250 Function	Pin Number
IO104PB6F6	N4	IO122NB7F7	G5	GND	J9
IO105NB6F6	M5	IO122PB7F7	G6	GND	K10
IO105PB6F6	N5	IO123NB7F7	F5	GND	K11
IO106NB6F6	M3	IO123PB7F7	E4	GND	K12
IO106PB6F6	N3	Dedicated I/O		GND	K13
Bank 7		VCCDA	H7	GND	L1
IO107NB7F7	M2	GND	A1	GND	L10
IO107PB7F7	N1	GND	A11	GND	L11
IO108NB7F7	L3	GND	A12	GND	L12
IO108PB7F7	L2	GND	A2	GND	L13
IO109NB7F7	K2	GND	A21	GND	L22
IO109PB7F7	K1	GND	A22	GND	M1
IO110NB7F7	K5	GND	AA1	GND	M10
IO110PB7F7	L5	GND	AA2	GND	M11
IO111NB7F7	K6	GND	AA21	GND	M12
IO111PB7F7	L6	GND	AA22	GND	M13
IO112NB7F7	K4	GND	AB1	GND	M22
IO112PB7F7	K3	GND	AB11	GND	N10
IO113NB7F7	K7	GND	AB12	GND	N11
IO113PB7F7	L7	GND	AB2	GND	N12
IO114NB7F7	H1	GND	AB21	GND	N13
IO114PB7F7	J1	GND	AB22	GND	P14
IO115NB7F7	H2	GND	B1	GND	P9
IO115PB7F7	J2	GND	B2	GND	R15
IO116NB7F7	H4	GND	B21	GND	R8
IO116PB7F7	J4	GND	B22	GND	U16
IO117NB7F7	H5	GND	C20	GND	U6
IO117PB7F7	J5	GND	C3	GND	V18
IO118NB7F7	F2	GND	D19	GND	V5
IO118PB7F7	G2	GND	D4	GND	W19
IO119NB7F7	H6	GND	E18	GND	W4
IO119PB7F7	J6	GND	E5	GND	Y20
IO120NB7F7	F1	GND	G18	GND	Y3
IO120PB7F7	G1	GND	H15	GND/LP	G7
IO121NB7F7	F4	GND	H8	NC	A17
IO121PB7F7	G4	GND	J14	NC	A18

FG484		FG484		FG484	
AX250 Function	Pin Number	AX250 Function	Pin Number	AX250 Function	Pin Number
NC	A19	NC	G22	PRA	G11
NC	A4	NC	G3	PRB	F11
NC	A5	NC	H3	PRC	T12
NC	AA11	NC	J3	PRD	U12
NC	AA12	NC	K21	TCK	G8
NC	AA18	NC	K22	TDI	F9
NC	AA19	NC	N22	TDO	F7
NC	AA4	NC	P22	TMS	F6
NC	AB16	NC	R19	TRST	F8
NC	AB17	NC	R22	VCCA	G17
NC	AB4	NC	T1	VCCA	J10
NC	AB7	NC	T22	VCCA	J11
NC	AB8	NC	U1	VCCA	J12
NC	B11	NC	U2	VCCA	J13
NC	B12	NC	U21	VCCA	J7
NC	B17	NC	U22	VCCA	K14
NC	B18	NC	V1	VCCA	K9
NC	B19	NC	V2	VCCA	L14
NC	B4	NC	V21	VCCA	L9
NC	B5	NC	V22	VCCA	M14
NC	C10	NC	V3	VCCA	M9
NC	C11	NC	W1	VCCA	N14
NC	C14	NC	W2	VCCA	N9
NC	C15	NC	W21	VCCA	P10
NC	C18	NC	W22	VCCA	P11
NC	C19	NC	W3	VCCA	P12
NC	D1	NC	Y10	VCCA	P13
NC	D2	NC	Y11	VCCA	T6
NC	D21	NC	Y12	VCCA	U17
NC	D3	NC	Y13	VCCPLA	F10
NC	E1	NC	Y15	VCCPLB	G9
NC	E2	NC	Y16	VCCPLC	D13
NC	E21	NC	Y17	VCCPLD	G13
NC	E3	NC	Y18	VCCPLE	U13
NC	F22	NC	Y8	VCCPLF	T14
NC	F3	NC	Y9	VCCPLG	W10

FG484		FG484	
AX250 Function	Pin Number	AX250 Function	Pin Number
VCCPLH	T10	VCCIB4	R14
VCCDA	D14	VCCIB5	AA3
VCCDA	D5	VCCIB5	AB3
VCCDA	F16	VCCIB5	R10
VCCDA	G12	VCCIB5	R11
VCCDA	L4	VCCIB5	R9
VCCDA	M18	VCCIB6	M8
VCCDA	T11	VCCIB6	N8
VCCDA	T17	VCCIB6	P8
VCCDA	U7	VCCIB6	Y1
VCCDA	V14	VCCIB6	Y2
VCCDA	V8	VCCIB7	C1
VCCIB0	A3	VCCIB7	C2
VCCIB0	B3	VCCIB7	J8
VCCIB0	H10	VCCIB7	K8
VCCIB0	H11	VCCIB7	L8
VCCIB0	H9	VCOMPLA	D10
VCCIB1	A20	VCOMPLB	G10
VCCIB1	B20	VCOMPLC	E12
VCCIB1	H12	VCOMPLD	G14
VCCIB1	H13	VCOMPLE	W13
VCCIB1	H14	VCOMPLF	T13
VCCIB2	C21	VCOMPLG	V11
VCCIB2	C22	VCOMPLH	T9
VCCIB2	J15	VPUMP	D17
VCCIB2	K15		
VCCIB2	L15		
VCCIB3	M15		
VCCIB3	N15		
VCCIB3	P15		
VCCIB3	Y21		
VCCIB3	Y22		
VCCIB4	AA20		
VCCIB4	AB20		
VCCIB4	R12		
VCCIB4	R13		

FG484	
AX500 Function	Pin Number
Bank 0	
IO00NB0F0	E3
IO00PB0F0	D3
IO01NB0F0	E7
IO01PB0F0	E6
IO02NB0F0	C5
IO02PB0F0	C4
IO03NB0F0	D7
IO03PB0F0	D6
IO04NB0F0	B5
IO04PB0F0	B4
IO05NB0F0	C7
IO05PB0F0	C6
IO06NB0F0	A5
IO06PB0F0	A4
IO07NB0F0	A7
IO07PB0F0	A6
IO08NB0F0	B7
IO08PB0F0	B6
IO10NB0F0	B9
IO10PB0F0	B8
IO11NB0F0	E9
IO11PB0F0	E8
IO12NB0F1	D9
IO12PB0F1	D8
IO13NB0F1	C9
IO13PB0F1	C8
IO14NB0F1	A9
IO14PB0F1	A8
IO15NB0F1	B10
IO15PB0F1	A10
IO16NB0F1	B12
IO16PB0F1	B11
IO18NB0F1	C13
IO18PB0F1	C12

FG484	
AX500 Function	Pin Number
IO19NB0F1/HCLKAN	E11
IO19PB0F1/HCLKAP	E10
IO20NB0F1/HCLKBN	D12
IO20PB0F1/HCLKBP	D11
Bank 1	
IO21NB1F2/HCLKCN	F13
IO21PB1F2/HCLKCP	F12
IO22NB1F2/HCLKDN	E14
IO22PB1F2/HCLKDP	E13
IO24NB1F2	A14
IO24PB1F2	A13
IO25NB1F2	B14
IO25PB1F2	B13
IO26NB1F2	C15
IO27NB1F2	A16
IO27PB1F2	A15
IO28NB1F2	B16
IO28PB1F2	B15
IO29NB1F2	D16
IO29PB1F2	D15
IO30NB1F2	A18
IO30PB1F2	A17
IO31NB1F2	F15
IO31PB1F2	F14
IO32NB1F3	C17
IO32PB1F3	C16
IO33NB1F3	E16
IO33PB1F3	E15
IO34NB1F3	B18
IO34PB1F3	B17
IO35NB1F3	B19
IO35PB1F3	A19
IO36NB1F3	C19
IO36PB1F3	C18
IO37NB1F3	F18

FG484	
AX500 Function	Pin Number
IO37PB1F3	F17
IO38NB1F3	D18
IO38PB1F3	E17
IO39NB1F3	E21
IO39PB1F3	D21
IO40NB1F3	E20
IO40PB1F3	D20
IO41NB1F3	G16
IO41PB1F3	G15
Bank 2	
IO42NB2F4	F19
IO42PB2F4	E19
IO43NB2F4	J16
IO43PB2F4	H16
IO44NB2F4	E22
IO44PB2F4	D22
IO45NB2F4	H19
IO45PB2F4	G19
IO46NB2F4	G22
IO46PB2F4	F22
IO47NB2F4	J17
IO47PB2F4	H17
IO48NB2F4	G20
IO48PB2F4	F20
IO49NB2F4	J18
IO49PB2F4	H18
IO50NB2F4	G21
IO50PB2F4	F21
IO51NB2F4	K19
IO51PB2F4	J19
IO52NB2F5	J21
IO52PB2F5	H21
IO53NB2F5	J20
IO53PB2F5	H20
IO54NB2F5	J22

FG484	
AX500 Function	Pin Number
IO54PB2F5	H22
IO55NB2F5	L17
IO55PB2F5	K17
IO56NB2F5	K21
IO56PB2F5	K22
IO58NB2F5	L20
IO58PB2F5	K20
IO59NB2F5	L18
IO59PB2F5	K18
IO60NB2F5	M21
IO60PB2F5	L21
IO61NB2F5	L16
IO61PB2F5	K16
IO62NB2F5	M19
IO62PB2F5	L19
Bank 3	
IO63NB3F6	N16
IO63PB3F6	M16
IO64NB3F6	P22
IO64PB3F6	N22
IO65NB3F6	N20
IO65PB3F6	M20
IO66NB3F6	P21
IO66PB3F6	N21
IO67NB3F6	N18
IO67PB3F6	N19
IO68NB3F6	T22
IO68PB3F6	R22
IO69NB3F6	N17
IO69PB3F6	M17
IO70NB3F6	T21
IO70PB3F6	R21
IO71NB3F6	P18
IO71PB3F6	P19
IO72NB3F6	R20

FG484	
AX500 Function	Pin Number
IO72PB3F6	P20
IO73PB3F6	R19
IO74NB3F7	V21
IO74PB3F7	U21
IO75NB3F7	V22
IO75PB3F7	U22
IO76NB3F7	U20
IO76PB3F7	T20
IO77NB3F7	R17
IO77PB3F7	P17
IO78NB3F7	W21
IO78PB3F7	W22
IO79NB3F7	T18
IO79PB3F7	R18
IO80NB3F7	W20
IO80PB3F7	V20
IO81NB3F7	U19
IO81PB3F7	T19
IO82NB3F7	U18
IO82PB3F7	V19
IO83NB3F7	R16
IO83PB3F7	P16
Bank 4	
IO84NB4F8	AB18
IO84PB4F8	AB19
IO85NB4F8	T15
IO85PB4F8	T16
IO86NB4F8	AA18
IO86PB4F8	AA19
IO87NB4F8	W17
IO87PB4F8	V17
IO88NB4F8	Y19
IO88PB4F8	W18
IO89NB4F8	U14
IO89PB4F8	U15

FG484	
AX500 Function	Pin Number
IO90NB4F8	Y17
IO90PB4F8	Y18
IO91NB4F8	V15
IO91PB4F8	V16
IO92PB4F8	AB17
IO93NB4F8	Y15
IO93PB4F8	Y16
IO94NB4F9	AA16
IO94PB4F9	AA17
IO95NB4F9	AB14
IO95PB4F9	AB15
IO96NB4F9	W15
IO96PB4F9	W16
IO97NB4F9	AA13
IO97PB4F9	AB13
IO98NB4F9	AA14
IO98PB4F9	AA15
IO100NB4F9	Y14
IO100PB4F9	W14
IO101NB4F9	Y12
IO101PB4F9	Y13
IO102NB4F9	AA11
IO102PB4F9	AA12
IO103NB4F9/CLKEN	V12
IO103PB4F9/CLKEP	V13
IO104NB4F9/CLKFN	W11
IO104PB4F9/CLKFP	W12
Bank 5	
IO105NB5F10/CLKGN	U10
IO105PB5F10/CLKGP	U11
IO106NB5F10/CLKHN	V9
IO106PB5F10/CLKHP	V10
IO107NB5F10	Y10
IO107PB5F10	Y11
IO108NB5F10	AA9

FG484	
AX500 Function	Pin Number
IO108PB5F10	AA10
IO110NB5F10	AB9
IO110PB5F10	AB10
IO111NB5F10	Y8
IO111PB5F10	Y9
IO112NB5F10	AB7
IO113NB5F10	W8
IO113PB5F10	W9
IO114NB5F11	AA7
IO114PB5F11	AA8
IO115NB5F11	AB5
IO115PB5F11	AB6
IO116NB5F11	Y6
IO116PB5F11	Y7
IO117NB5F11	U8
IO117PB5F11	U9
IO118NB5F11	AA5
IO118PB5F11	AA6
IO119NB5F11	AA4
IO119PB5F11	AB4
IO120NB5F11	Y4
IO120PB5F11	Y5
IO121NB5F11	W6
IO121PB5F11	W7
IO122NB5F11	V3
IO122PB5F11	W3
IO123NB5F11	T7
IO123PB5F11	T8
IO124NB5F11	V4
IO124PB5F11	W5
IO125NB5F11	V6
IO125PB5F11	V7
Bank 6	
IO126NB6F12	V2
IO126PB6F12	W2

FG484	
AX500 Function	Pin Number
IO127NB6F12	P7
IO127PB6F12	R7
IO128NB6F12	V1
IO128PB6F12	W1
IO129NB6F12	U5
IO129PB6F12	T5
IO130NB6F12	T1
IO130PB6F12	U1
IO131NB6F12	P6
IO131PB6F12	R6
IO132NB6F12	T4
IO132PB6F12	U4
IO133NB6F12	U2
IO134NB6F12	T3
IO134PB6F12	U3
IO135NB6F12	P5
IO135PB6F12	R5
IO136NB6F13	R2
IO136PB6F13	T2
IO138NB6F13	P4
IO138PB6F13	R4
IO139NB6F13	N2
IO139PB6F13	P2
IO140NB6F13	P3
IO140PB6F13	R3
IO141NB6F13	M6
IO141PB6F13	N6
IO142NB6F13	P1
IO142PB6F13	R1
IO143NB6F13	M5
IO143PB6F13	N5
IO144NB6F13	M4
IO144PB6F13	N4
IO145NB6F13	M7
IO145PB6F13	N7

FG484	
AX500 Function	Pin Number
IO146NB6F13	M3
IO146PB6F13	N3
Bank 7	
IO147NB7F14	K7
IO147PB7F14	L7
IO148NB7F14	M2
IO148PB7F14	N1
IO149NB7F14	K5
IO149PB7F14	L5
IO150NB7F14	L3
IO150PB7F14	L2
IO151NB7F14	K6
IO151PB7F14	L6
IO152NB7F14	K2
IO152PB7F14	K1
IO153NB7F14	K4
IO153PB7F14	K3
IO154NB7F14	H3
IO154PB7F14	J3
IO155NB7F14	H5
IO155PB7F14	J5
IO156NB7F14	H4
IO156PB7F14	J4
IO157NB7F14	H2
IO157PB7F14	J2
IO158NB7F15	H1
IO158PB7F15	J1
IO159NB7F15	F1
IO159PB7F15	G1
IO160NB7F15	F2
IO160PB7F15	G2
IO161NB7F15	H6
IO161PB7F15	J6
IO162NB7F15	F3
IO162PB7F15	G3

FG484	
AX500 Function	Pin Number
IO163NB7F15	G5
IO163PB7F15	G6
IO164NB7F15	D1
IO164PB7F15	E1
IO165NB7F15	F4
IO165PB7F15	G4
IO166NB7F15	D2
IO166PB7F15	E2
IO167NB7F15	F5
IO167PB7F15	E4
Dedicated I/O	
VCCDA	H7
GND	A1
GND	A11
GND	A12
GND	A2
GND	A21
GND	A22
GND	AA1
GND	AA2
GND	AA21
GND	AA22
GND	AB1
GND	AB11
GND	AB12
GND	AB2
GND	AB21
GND	AB22
GND	B1
GND	B2
GND	B21
GND	B22
GND	C20
GND	C3
GND	D19

FG484	
AX500 Function	Pin Number
GND	D4
GND	E18
GND	E5
GND	G18
GND	H15
GND	H8
GND	J14
GND	J9
GND	K10
GND	K11
GND	K12
GND	K13
GND	L1
GND	L10
GND	L11
GND	L12
GND	L13
GND	L22
GND	M1
GND	M10
GND	M11
GND	M12
GND	M13
GND	M22
GND	N10
GND	N11
GND	N12
GND	N13
GND	P14
GND	P9
GND	R15
GND	R8
GND	U16
GND	U6
GND	V18

FG484	
AX500 Function	Pin Number
GND	V5
GND	W19
GND	W4
GND	Y20
GND	Y3
GND/LP	G7
NC	AB8
NC	AB16
NC	C10
NC	C11
NC	C14
PRA	G11
PRB	F11
PRC	T12
PRD	U12
TCK	G8
TDI	F9
TDO	F7
TMS	F6
TRST	F8
VCCA	G17
VCCA	J10
VCCA	J11
VCCA	J12
VCCA	J13
VCCA	J7
VCCA	K14
VCCA	K9
VCCA	L14
VCCA	L9
VCCA	M14
VCCA	M9
VCCA	N14
VCCA	N9
VCCA	P10

FG484	
AX500 Function	Pin Number
VCCA	P11
VCCA	P12
VCCA	P13
VCCA	T6
VCCA	U17
VCCPLA	F10
VCCPLB	G9
VCCPLC	D13
VCCPLD	G13
VCCPLE	U13
VCCPLF	T14
VCCPLG	W10
VCCPLH	T10
VCCDA	D14
VCCDA	D5
VCCDA	F16
VCCDA	G12
VCCDA	L4
VCCDA	M18
VCCDA	T11
VCCDA	T17
VCCDA	U7
VCCDA	V14
VCCDA	V8
VCCIB0	A3
VCCIB0	B3
VCCIB0	H10
VCCIB0	H11
VCCIB0	H9
VCCIB1	A20
VCCIB1	B20
VCCIB1	H12
VCCIB1	H13
VCCIB1	H14
VCCIB2	C21

FG484	
AX500 Function	Pin Number
VCCIB2	C22
VCCIB2	J15
VCCIB2	K15
VCCIB2	L15
VCCIB3	M15
VCCIB3	N15
VCCIB3	P15
VCCIB3	Y21
VCCIB3	Y22
VCCIB4	AA20
VCCIB4	AB20
VCCIB4	R12
VCCIB4	R13
VCCIB4	R14
VCCIB5	AA3
VCCIB5	AB3
VCCIB5	R10
VCCIB5	R11
VCCIB5	R9
VCCIB6	M8
VCCIB6	N8
VCCIB6	P8
VCCIB6	Y1
VCCIB6	Y2
VCCIB7	C1
VCCIB7	C2
VCCIB7	J8
VCCIB7	K8
VCCIB7	L8
VCOMPLA	D10
VCOMPLB	G10
VCOMPLC	E12
VCOMPLD	G14
VCOMPLE	W13
VCOMPLF	T13

FG484	
AX500 Function	Pin Number
VCOMPLG	V11
VCOMPLH	T9
VPUMP	D17

FG484	
AX1000 Function	Pin Number
Bank 0	
IO01NB0F0	E3
IO01PB0F0	D3
IO02NB0F0	E7
IO02PB0F0	E6
IO05NB0F0	D2
IO05PB0F0	E2
IO06NB0F0	C5
IO06PB0F0	C4
IO12NB0F1	D7
IO12PB0F1	D6
IO13NB0F1	B5
IO13PB0F1	B4
IO14NB0F1	E9
IO14PB0F1	E8
IO15NB0F1	C7
IO15PB0F1	C6
IO16NB0F1	A5
IO16PB0F1	A4
IO17NB0F1	B7
IO17PB0F1	B6
IO18NB0F1	A7
IO18PB0F1	A6
IO19NB0F1	C9
IO19PB0F1	C8
IO20NB0F1	D9
IO20PB0F1	D8
IO21NB0F1	B9
IO21PB0F1	B8
IO22NB0F2	A9
IO22PB0F2	A8
IO23NB0F2	B10
IO23PB0F2	A10
IO26NB0F2	A14
IO26PB0F2	A13

FG484	
AX1000 Function	Pin Number
IO29NB0F2	B12
IO29PB0F2	B11
IO30NB0F2/HCLKAN	E11
IO30PB0F2/HCLKAP	E10
IO31NB0F2/HCLKBN	D12
IO31PB0F2/HCLKBP	D11
Bank 1	
IO32NB1F3/HCLKCN	F13
IO32PB1F3/HCLKCP	F12
IO33NB1F3/HCLKDN	E14
IO33PB1F3/HCLKDP	E13
IO34NB1F3	C13
IO34PB1F3	C12
IO37NB1F3	B14
IO37PB1F3	B13
IO38NB1F3	A16
IO38PB1F3	A15
IO40NB1F3	C15
IO42NB1F4	A18
IO42PB1F4	A17
IO43NB1F4	B16
IO43PB1F4	B15
IO44NB1F4	B18
IO44PB1F4	B17
IO45NB1F4	B19
IO45PB1F4	A19
IO46NB1F4	C19
IO46PB1F4	C18
IO48NB1F4	F15
IO48PB1F4	F14
IO49NB1F4	D16
IO49PB1F4	D15
IO50NB1F4	C17
IO50PB1F4	C16
IO51NB1F4	E22

FG484	
AX1000 Function	Pin Number
IO51PB1F4	D22
IO52NB1F4	E16
IO52PB1F4	E15
IO57NB1F5	E21
IO57PB1F5	D21
IO60NB1F5	G16
IO60PB1F5	G15
IO61NB1F5	D18
IO61PB1F5	E17
IO63NB1F5	E20
IO63PB1F5	D20
Bank 2	
IO64NB2F6	F18
IO64PB2F6	F17
IO67NB2F6	F19
IO67PB2F6	E19
IO68NB2F6	J16
IO68PB2F6	H16
IO70NB2F6	J17
IO70PB2F6	H17
IO74NB2F7	J18
IO74PB2F7	H18
IO75NB2F7	G20
IO75PB2F7	F20
IO79NB2F7	H19
IO79PB2F7	G19
IO80NB2F7	L16
IO80PB2F7	K16
IO84NB2F7	L17
IO84PB2F7	K17
IO85NB2F8	G21
IO85PB2F8	F21
IO86NB2F8	G22
IO86PB2F8	F22
IO87NB2F8	J20

FG484	
AX1000 Function	Pin Number
IO87PB2F8	H20
IO88NB2F8	L18
IO88PB2F8	K18
IO89NB2F8	K19
IO89PB2F8	J19
IO90NB2F8	J21
IO90PB2F8	H21
IO91NB2F8	J22
IO91PB2F8	H22
IO93NB2F8	K21
IO93PB2F8	K22
IO94NB2F8	L20
IO94PB2F8	K20
IO95NB2F8	M21
IO95PB2F8	L21
Bank 3	
IO96NB3F9	N16
IO96PB3F9	M16
IO97NB3F9	M19
IO97PB3F9	L19
IO98NB3F9	P22
IO98PB3F9	N22
IO99NB3F9	N20
IO99PB3F9	M20
IO100NB3F9	N17
IO100PB3F9	M17
IO101NB3F9	P21
IO101PB3F9	N21
IO103NB3F9	R20
IO103PB3F9	P20
IO104NB3F9	N18
IO104PB3F9	N19
IO105NB3F9	T22
IO105PB3F9	R22
IO106NB3F9	R17

FG484	
AX1000 Function	Pin Number
IO106PB3F9	P17
IO107NB3F10	T21
IO107PB3F10	R21
IO110NB3F10	V22
IO110PB3F10	U22
IO113NB3F10	V21
IO113PB3F10	U21
IO114NB3F10	P18
IO114PB3F10	P19
IO116PB3F10	R19
IO117NB3F10	U20
IO117PB3F10	T20
IO118NB3F11	T18
IO118PB3F11	R18
IO121NB3F11	U19
IO121PB3F11	T19
IO124NB3F11	R16
IO124PB3F11	P16
IO127NB3F11	W21
IO127PB3F11	W22
Bank 4	
IO129PB4F12	AB17
IO132NB4F12	Y19
IO132PB4F12	W18
IO133NB4F12	W17
IO133PB4F12	V17
IO135NB4F12	T15
IO135PB4F12	T16
IO138NB4F12	Y17
IO138PB4F12	Y18
IO139NB4F13	V15
IO139PB4F13	V16
IO140NB4F13	U18
IO140PB4F13	V19
IO142NB4F13	W20

FG484	
AX1000 Function	Pin Number
IO142PB4F13	V20
IO143NB4F13	W15
IO143PB4F13	W16
IO144NB4F13	AA18
IO144PB4F13	AA19
IO145NB4F13	U14
IO145PB4F13	U15
IO146NB4F13	Y15
IO146PB4F13	Y16
IO147NB4F13	AB18
IO147PB4F13	AB19
IO149NB4F13	Y14
IO149PB4F13	W14
IO150NB4F13	AA16
IO150PB4F13	AA17
IO152NB4F14	AA14
IO152PB4F14	AA15
IO154NB4F14	AB14
IO154PB4F14	AB15
IO155NB4F14	AA13
IO155PB4F14	AB13
IO158NB4F14	Y12
IO158PB4F14	Y13
IO159NB4F14/CLKEN	V12
IO159PB4F14/CLKEP	V13
IO160NB4F14/CLKFN	W11
IO160PB4F14/CLKFP	W12
Bank 5	
IO161NB5F15/CLKGN	U10
IO161PB5F15/CLKGP	U11
IO162NB5F15/CLKHN	V9
IO162PB5F15/CLKHP	V10
IO163NB5F15	Y10
IO163PB5F15	Y11
IO167NB5F15	AA11

FG484	
AX1000 Function	Pin Number
IO167PB5F15	AA12
IO169NB5F15	AA9
IO169PB5F15	AA10
IO170NB5F15	AB9
IO170PB5F15	AB10
IO171NB5F16	W8
IO171PB5F16	W9
IO172NB5F16	Y8
IO172PB5F16	Y9
IO173NB5F16	U8
IO173PB5F16	U9
IO174NB5F16	AA7
IO174PB5F16	AA8
IO175NB5F16	AB5
IO175PB5F16	AB6
IO176NB5F16	AA5
IO176PB5F16	AA6
IO177NB5F16	AA4
IO177PB5F16	AB4
IO178NB5F16	Y6
IO178PB5F16	Y7
IO179NB5F16	T7
IO179PB5F16	T8
IO180NB5F16	W6
IO180PB5F16	W7
IO181NB5F17	Y4
IO181PB5F17	Y5
IO184NB5F17	AB7
IO187NB5F17	V3
IO187PB5F17	W3
IO188NB5F17	V4
IO188PB5F17	W5
IO192NB5F17	V6
IO192PB5F17	V7
Bank 6	

FG484	
AX1000 Function	Pin Number
IO194NB6F18	V2
IO194PB6F18	W2
IO195NB6F18	U5
IO195PB6F18	T5
IO200NB6F18	T4
IO200PB6F18	U4
IO201NB6F18	P6
IO201PB6F18	R6
IO203NB6F19	U2
IO204NB6F19	T3
IO204PB6F19	U3
IO205NB6F19	P5
IO205PB6F19	R5
IO208NB6F19	V1
IO208PB6F19	W1
IO209NB6F19	P7
IO209PB6F19	R7
IO212NB6F19	P4
IO212PB6F19	R4
IO214NB6F20	P3
IO214PB6F20	R3
IO215NB6F20	M6
IO215PB6F20	N6
IO216NB6F20	R2
IO216PB6F20	T2
IO217NB6F20	T1
IO217PB6F20	U1
IO219NB6F20	M5
IO219PB6F20	N5
IO220NB6F20	P1
IO220PB6F20	R1
IO221NB6F20	N2
IO221PB6F20	P2
IO222NB6F20	M3
IO222PB6F20	N3

FG484	
AX1000 Function	Pin Number
IO223NB6F20	M7
IO223PB6F20	N7
IO224NB6F20	M4
IO224PB6F20	N4
Bank 7	
IO225NB7F21	M2
IO225PB7F21	N1
IO226NB7F21	K2
IO226PB7F21	K1
IO228NB7F21	L3
IO228PB7F21	L2
IO229NB7F21	K5
IO229PB7F21	L5
IO230NB7F21	H1
IO230PB7F21	J1
IO231NB7F21	H2
IO231PB7F21	J2
IO232NB7F21	K4
IO232PB7F21	K3
IO233NB7F21	K6
IO233PB7F21	L6
IO234NB7F21	F1
IO234PB7F21	G1
IO235NB7F21	F2
IO235PB7F21	G2
IO236NB7F22	H3
IO236PB7F22	J3
IO237NB7F22	K7
IO237PB7F22	L7
IO241NB7F22	H6
IO241PB7F22	J6
IO242NB7F22	H4
IO242PB7F22	J4
IO243NB7F22	H5
IO243PB7F22	J5

FG484	
AX1000 Function	Pin Number
IO246NB7F22	F3
IO246PB7F22	G3
IO250NB7F23	F4
IO250PB7F23	G4
IO253NB7F23	G5
IO253PB7F23	G6
IO254NB7F23	D1
IO254PB7F23	E1
IO257NB7F23	F5
IO257PB7F23	E4
Dedicated I/O	
VCCDA	H7
GND	A1
GND	A11
GND	A12
GND	A2
GND	A21
GND	A22
GND	AA1
GND	AA2
GND	AA21
GND	AA22
GND	AB1
GND	AB11
GND	AB12
GND	AB2
GND	AB21
GND	AB22
GND	B1
GND	B2
GND	B21
GND	B22
GND	C20
GND	C3
GND	D19

FG484	
AX1000 Function	Pin Number
GND	D4
GND	E18
GND	E5
GND	G18
GND	H15
GND	H8
GND	J14
GND	J9
GND	K10
GND	K11
GND	K12
GND	K13
GND	L1
GND	L10
GND	L11
GND	L12
GND	L13
GND	L22
GND	M1
GND	M10
GND	M11
GND	M12
GND	M13
GND	M22
GND	N10
GND	N11
GND	N12
GND	N13
GND	P14
GND	P9
GND	R15
GND	R8
GND	U16
GND	U6
GND	V18

FG484	
AX1000 Function	Pin Number
GND	V5
GND	W19
GND	W4
GND	Y20
GND	Y3
GND/LP	G7
PRA	G11
PRB	F11
PRC	T12
PRD	U12
TCK	G8
TDI	F9
TDO	F7
TMS	F6
TRST	F8
VCCA	G17
VCCA	J10
VCCA	J11
VCCA	J12
VCCA	J13
VCCA	J7
VCCA	K14
VCCA	K9
VCCA	L14
VCCA	L9
VCCA	M14
VCCA	M9
VCCA	N14
VCCA	N9
VCCA	P10
VCCA	P11
VCCA	P12
VCCA	P13
VCCA	T6
VCCA	U17

FG484	
AX1000 Function	Pin Number
VCCPLA	F10
VCCPLB	G9
VCCPLC	D13
VCCPLD	G13
VCCPLE	U13
VCCPLF	T14
VCCPLG	W10
VCCPLH	T10
VCCDA	AB16
VCCDA	AB8
VCCDA	C10
VCCDA	C11
VCCDA	C14
VCCDA	D14
VCCDA	D5
VCCDA	F16
VCCDA	G12
VCCDA	L4
VCCDA	M18
VCCDA	T11
VCCDA	T17
VCCDA	U7
VCCDA	V14
VCCDA	V8
VCCIB0	A3
VCCIB0	B3
VCCIB0	H10
VCCIB0	H11
VCCIB0	H9
VCCIB1	A20
VCCIB1	B20
VCCIB1	H12
VCCIB1	H13
VCCIB1	H14
VCCIB2	C21

FG484	
AX1000 Function	Pin Number
VCCIB2	C22
VCCIB2	J15
VCCIB2	K15
VCCIB2	L15
VCCIB3	M15
VCCIB3	N15
VCCIB3	P15
VCCIB3	Y21
VCCIB3	Y22
VCCIB4	AA20
VCCIB4	AB20
VCCIB4	R12
VCCIB4	R13
VCCIB4	R14
VCCIB5	AA3
VCCIB5	AB3
VCCIB5	R10
VCCIB5	R11
VCCIB5	R9
VCCIB6	M8
VCCIB6	N8
VCCIB6	P8
VCCIB6	Y1
VCCIB6	Y2
VCCIB7	C1
VCCIB7	C2
VCCIB7	J8
VCCIB7	K8
VCCIB7	L8
VCOMPLA	D10
VCOMPLB	G10
VCOMPLC	E12
VCOMPLD	G14
VCOMPLE	W13
VCOMPLF	T13

FG484	
AX1000 Function	Pin Number
VCOMPLG	V11
VCOMPLH	T9
VPUMP	D17

FG676



Note

For Package Manufacturing and Environmental information, visit Resource center at <http://www.microsemi.com/soc/products/rescenter/package/index.html>.

FG676	
AX500 Function	Pin Number
Bank 0	
IO00NB0F0	F8
IO00PB0F0	E8
IO01NB0F0	A5
IO01PB0F0	A4
IO02NB0F0	E7
IO02PB0F0	E6
IO03NB0F0	D6
IO03PB0F0	D5
IO04NB0F0	B5
IO04PB0F0	C5
IO05NB0F0	B6
IO05PB0F0	C6
IO06NB0F0	C7
IO06PB0F0	D7
IO07NB0F0	A7
IO07PB0F0	A6
IO08NB0F0	C8
IO08PB0F0	D8
IO09NB0F0	F10
IO09PB0F0	F9
IO10NB0F0	B8
IO10PB0F0	B7
IO11NB0F0	D10
IO11PB0F0	E10
IO12NB0F1	B9
IO12PB0F1	C9
IO13NB0F1	F11
IO13PB0F1	G11
IO14NB0F1	D11
IO14PB0F1	E11
IO15NB0F1	B10
IO15PB0F1	C10
IO16NB0F1	A10
IO16PB0F1	A9

FG676	
AX500 Function	Pin Number
IO17NB0F1	F12
IO17PB0F1	G12
IO18NB0F1	C12
IO18PB0F1	C11
IO19NB0F1/HCLKAN	A12
IO19PB0F1/HCLKAP	B12
IO20NB0F1/HCLKBN	C13
IO20PB0F1/HCLKBP	B13
Bank 1	
IO21NB1F2/HCLKCN	C15
IO21PB1F2/HCLKCP	C14
IO22NB1F2/HCLKDN	A15
IO22PB1F2/HCLKDP	B15
IO23NB1F2	F15
IO23PB1F2	G15
IO24NB1F2	B16
IO24PB1F2	A16
IO25NB1F2	A18
IO25PB1F2	A17
IO26NB1F2	D16
IO26PB1F2	E16
IO27NB1F2	F16
IO27PB1F2	G16
IO28NB1F2	C18
IO28PB1F2	C17
IO29NB1F2	B19
IO29PB1F2	B18
IO30NB1F2	D19
IO30PB1F2	C19
IO31NB1F2	F17
IO31PB1F2	E17
IO32NB1F3	B20
IO32PB1F3	A20
IO33NB1F3	B22
IO33PB1F3	B21

FG676	
AX500 Function	Pin Number
IO34NB1F3	D20
IO34PB1F3	C20
IO35NB1F3	D21
IO35PB1F3	C21
IO36NB1F3	D22
IO36PB1F3	C22
IO37NB1F3	F19
IO37PB1F3	E19
IO38NB1F3	B23
IO38PB1F3	A23
IO39NB1F3	E21
IO39PB1F3	E20
IO40NB1F3	D23
IO40PB1F3	C23
IO41NB1F3	D25
IO41PB1F3	C25
Bank 2	
IO42NB2F4	G24
IO42PB2F4	G23
IO43NB2F4	G26
IO43PB2F4	F26
IO44NB2F4	F25
IO44PB2F4	E25
IO45NB2F4	J21
IO45PB2F4	J22
IO46NB2F4	H25
IO46PB2F4	G25
IO47NB2F4	K23
IO47PB2F4	J23
IO48NB2F4	J24
IO48PB2F4	H24
IO49NB2F4	K21
IO49PB2F4	K22
IO50NB2F4	K25
IO50PB2F4	J25

FG676	
AX500 Function	Pin Number
IO51NB2F4	L20
IO51PB2F4	L21
IO52NB2F5	K26
IO52PB2F5	J26
IO53NB2F5	L23
IO53PB2F5	L22
IO54NB2F5	L24
IO54PB2F5	K24
IO55NB2F5	M20
IO55PB2F5	M21
IO56NB2F5	L26
IO56PB2F5	L25
IO57NB2F5	M23
IO57PB2F5	M22
IO58NB2F5	M26
IO58PB2F5	M25
IO59NB2F5	N22
IO59PB2F5	N23
IO60NB2F5	N24
IO60PB2F5	M24
IO61NB2F5	N20
IO61PB2F5	N21
IO62NB2F5	P25
IO62PB2F5	N25
Bank 3	
IO63NB3F6	T26
IO63PB3F6	R26
IO64NB3F6	R24
IO64PB3F6	P24
IO65NB3F6	P20
IO65PB3F6	P21
IO66NB3F6	T25
IO66PB3F6	R25
IO67NB3F6	T23
IO67PB3F6	R23

FG676	
AX500 Function	Pin Number
IO68NB3F6	V26
IO68PB3F6	U26
IO69NB3F6	V25
IO69PB3F6	U25
IO70NB3F6	Y25
IO70PB3F6	W25
IO71NB3F6	W24
IO71PB3F6	V24
IO72NB3F6	V23
IO72PB3F6	U23
IO73NB3F6	T21
IO73PB3F6	T20
IO74NB3F7	AA26
IO74PB3F7	Y26
IO75NB3F7	AA24
IO75PB3F7	Y24
IO76NB3F7	Y23
IO76PB3F7	W23
IO77NB3F7	V21
IO77PB3F7	U21
IO78NB3F7	AB25
IO78PB3F7	AA25
IO79NB3F7	AC26
IO79PB3F7	AB26
IO80NB3F7	AC24
IO80PB3F7	AB24
IO81NB3F7	AB23
IO81PB3F7	AA23
IO82NB3F7	AA22
IO82PB3F7	Y22
IO83NB3F7	AE26
IO83PB3F7	AD26
Bank 4	
IO84NB4F8	AB21
IO84PB4F8	AA21

FG676	
AX500 Function	Pin Number
IO85NB4F8	AE23
IO85PB4F8	AE24
IO86NB4F8	AC21
IO86PB4F8	AC22
IO87NB4F8	AF22
IO87PB4F8	AF23
IO88NB4F8	AD22
IO88PB4F8	AD23
IO89NB4F8	AC19
IO89PB4F8	AC20
IO90NB4F8	AE21
IO90PB4F8	AE22
IO91NB4F8	AA17
IO91PB4F8	AA18
IO92NB4F8	AD20
IO92PB4F8	AD21
IO93NB4F8	AF20
IO93PB4F8	AF21
IO94NB4F9	AE19
IO94PB4F9	AE20
IO95NB4F9	AC17
IO95PB4F9	AC18
IO96NB4F9	AD18
IO96PB4F9	AD19
IO97NB4F9	AA16
IO97PB4F9	Y16
IO98NB4F9	AE17
IO98PB4F9	AE18
IO99NB4F9	AC16
IO99PB4F9	AB16
IO100NB4F9	AF17
IO100PB4F9	AF18
IO101NB4F9	AA15
IO101PB4F9	Y15
IO102NB4F9	AC15

FG676	
AX500 Function	Pin Number
IO102PB4F9	AB15
IO103NB4F9/CLKEN	AE16
IO103PB4F9/CLKEP	AF16
IO104NB4F9/CLKFN	AE14
IO104PB4F9/CLKFP	AE15
Bank 5	
IO105NB5F10/CLKGN	AE12
IO105PB5F10/CLKGP	AE13
IO106NB5F10/CLKHN	AE11
IO106PB5F10/CLKHP	AF11
IO107NB5F10	Y12
IO107PB5F10	AA13
IO108NB5F10	AC12
IO108PB5F10	AB12
IO109NB5F10	AC10
IO109PB5F10	AC11
IO110NB5F10	AF9
IO110PB5F10	AF10
IO111NB5F10	Y11
IO111PB5F10	AA12
IO112NB5F10	AE9
IO112PB5F10	AE10
IO113NB5F10	AC9
IO113PB5F10	AD9
IO114NB5F11	AF6
IO114PB5F11	AF7
IO115NB5F11	AA10
IO115PB5F11	AB10
IO116NB5F11	AE7
IO116PB5F11	AE8
IO117NB5F11	AD7
IO117PB5F11	AD8
IO118NB5F11	AC7
IO118PB5F11	AC8
IO119NB5F11	AD6

FG676	
AX500 Function	Pin Number
IO119PB5F11	AE6
IO120NB5F11	AE5
IO120PB5F11	AF5
IO121NB5F11	AF4
IO121PB5F11	AE4
IO122NB5F11	AC5
IO122PB5F11	AC6
IO123NB5F11	AD4
IO123PB5F11	AD5
IO124NB5F11	AB6
IO124PB5F11	AB7
IO125NB5F11	AE3
IO125PB5F11	AF3
Bank 6	
IO126NB6F12	AB3
IO126PB6F12	AC3
IO127NB6F12	AA2
IO127PB6F12	AB2
IO128NB6F12	AC2
IO128PB6F12	AD2
IO129NB6F12	Y1
IO129PB6F12	AA1
IO130NB6F12	Y3
IO130PB6F12	AA3
IO131NB6F12	U6
IO131PB6F12	V6
IO132NB6F12	W2
IO132PB6F12	Y2
IO133NB6F12	V4
IO133PB6F12	W4
IO134NB6F12	V3
IO134PB6F12	W3
IO135NB6F12	V1
IO135PB6F12	V2
IO136NB6F13	U4

FG676	
AX500 Function	Pin Number
IO136PB6F13	U5
IO137NB6F13	T6
IO137PB6F13	T7
IO138NB6F13	T5
IO138PB6F13	T4
IO139NB6F13	R6
IO139PB6F13	R7
IO140NB6F13	T3
IO140PB6F13	U3
IO141NB6F13	U1
IO141PB6F13	U2
IO142NB6F13	R2
IO142PB6F13	T2
IO143NB6F13	P3
IO143PB6F13	R3
IO144NB6F13	P5
IO144PB6F13	P4
IO145NB6F13	P6
IO145PB6F13	P7
IO146NB6F13	R1
IO146PB6F13	T1
Bank 7	
IO147NB7F14	N6
IO147PB7F14	N7
IO148NB7F14	N5
IO148PB7F14	N4
IO149NB7F14	N2
IO149PB7F14	N3
IO150NB7F14	L1
IO150PB7F14	M1
IO151NB7F14	M2
IO151PB7F14	M3
IO152NB7F14	M5
IO152PB7F14	M4
IO153NB7F14	M7

FG676	
AX500 Function	Pin Number
IO153PB7F14	M6
IO154NB7F14	K2
IO154PB7F14	L2
IO155NB7F14	K3
IO155PB7F14	L3
IO156NB7F14	L5
IO156PB7F14	L4
IO157NB7F14	L6
IO157PB7F14	L7
IO158NB7F15	J1
IO158PB7F15	K1
IO159NB7F15	J4
IO159PB7F15	K4
IO160NB7F15	H2
IO160PB7F15	J2
IO161NB7F15	K6
IO161PB7F15	K5
IO162NB7F15	H3
IO162PB7F15	J3
IO163NB7F15	G2
IO163PB7F15	G1
IO164NB7F15	G4
IO164PB7F15	H4
IO165NB7F15	F3
IO165PB7F15	G3
IO166NB7F15	E2
IO166PB7F15	F2
IO167NB7F15	F5
IO167PB7F15	G5
Dedicated I/O	
GND	A1
GND	A13
GND	A14
GND	A19
GND	A26

FG676	
AX500 Function	Pin Number
GND	A8
GND	AC23
GND	AC4
GND	AD24
GND	AD3
GND	AE2
GND	AE25
GND	AF1
GND	AF13
GND	AF14
GND	AF19
GND	AF26
GND	AF8
GND	B2
GND	B25
GND	B26
GND	C24
GND	C3
GND	G20
GND	G7
GND	H1
GND	H19
GND	H26
GND	H8
GND	J18
GND	J9
GND	K10
GND	K11
GND	K12
GND	K13
GND	K14
GND	K15
GND	K16
GND	K17
GND	L10

FG676	
AX500 Function	Pin Number
GND	L11
GND	L12
GND	L13
GND	L14
GND	L15
GND	L16
GND	L17
GND	M10
GND	M11
GND	M12
GND	M13
GND	M14
GND	M15
GND	M16
GND	M17
GND	N1
GND	N10
GND	N11
GND	N12
GND	N13
GND	N14
GND	N15
GND	N16
GND	N17
GND	N26
GND	P1
GND	P10
GND	P11
GND	P12
GND	P13
GND	P14
GND	P15
GND	P16
GND	P17
GND	P26

FG676	
AX500 Function	Pin Number
GND	R10
GND	R11
GND	R12
GND	R13
GND	R14
GND	R15
GND	R16
GND	R17
GND	T10
GND	T11
GND	T12
GND	T13
GND	T14
GND	T15
GND	T16
GND	T17
GND	U10
GND	U11
GND	U12
GND	U13
GND	U14
GND	U15
GND	U16
GND	U17
GND	V18
GND	V9
GND	W1
GND	W19
GND	W26
GND	W8
GND	Y20
GND	Y7
GND/LP	C2
NC	A11
NC	A21

FG676	
AX500 Function	Pin Number
NC	A22
NC	A24
NC	A25
NC	AA11
NC	AA19
NC	AA20
NC	AA4
NC	AA5
NC	AA6
NC	AA7
NC	AA8
NC	AA9
NC	AB1
NC	AB11
NC	AB17
NC	AB18
NC	AB19
NC	AB20
NC	AB8
NC	AB9
NC	AC1
NC	AC13
NC	AC14
NC	AC25
NC	AD1
NC	AD11
NC	AD16
NC	AD25
NC	AE1
NC	AF2
NC	AF25
NC	B11
NC	B24
NC	B4
NC	C16

FG676	
AX500 Function	Pin Number
NC	C4
NC	D1
NC	D13
NC	D14
NC	D17
NC	D18
NC	D2
NC	D26
NC	D3
NC	D9
NC	E1
NC	E18
NC	E23
NC	E24
NC	E26
NC	E3
NC	E4
NC	E9
NC	F1
NC	F18
NC	F20
NC	F21
NC	F22
NC	F23
NC	F24
NC	F4
NC	F6
NC	F7
NC	G21
NC	G22
NC	H21
NC	H22
NC	H23
NC	H5
NC	H6

FG676	
AX500 Function	Pin Number
NC	J5
NC	J6
NC	P22
NC	R20
NC	R21
NC	R22
NC	R4
NC	R5
NC	T22
NC	T24
NC	U22
NC	U24
NC	V22
NC	V5
NC	W21
NC	W22
NC	W5
NC	W6
NC	Y21
NC	Y4
NC	Y5
NC	Y6
PRA	E13
PRB	B14
PRC	Y14
PRD	AD14
TCK	E5
TDI	B3
TDO	G6
TMS	D4
TRST	A2
VCCA	AB4
VCCA	AF24
VCCA	C1
VCCA	C26

FG676	
AX500 Function	Pin Number
VCCA	J10
VCCA	J11
VCCA	J12
VCCA	J13
VCCA	J14
VCCA	J15
VCCA	J16
VCCA	J17
VCCA	K18
VCCA	K9
VCCA	L18
VCCA	L9
VCCA	M18
VCCA	M9
VCCA	N18
VCCA	N9
VCCA	P18
VCCA	P9
VCCA	R18
VCCA	R9
VCCA	T18
VCCA	T9
VCCA	U18
VCCA	U9
VCCA	V10
VCCA	V11
VCCA	V12
VCCA	V13
VCCA	V14
VCCA	V15
VCCA	V16
VCCA	V17
VCCDA	A3
VCCDA	AB22
VCCDA	AB5

FG676	
AX500 Function	Pin Number
VCCDA	AD10
VCCDA	AD13
VCCDA	AD17
VCCDA	B1
VCCDA	B17
VCCDA	D24
VCCDA	E14
VCCDA	P2
VCCDA	P23
VCCIB0	G10
VCCIB0	G8
VCCIB0	G9
VCCIB0	H10
VCCIB0	H11
VCCIB0	H12
VCCIB0	H13
VCCIB0	H9
VCCIB1	G17
VCCIB1	G18
VCCIB1	G19
VCCIB1	H14
VCCIB1	H15
VCCIB1	H16
VCCIB1	H17
VCCIB1	H18
VCCIB2	H20
VCCIB2	J19
VCCIB2	J20
VCCIB2	K19
VCCIB2	K20
VCCIB2	L19
VCCIB2	M19
VCCIB2	N19
VCCIB3	P19
VCCIB3	R19

FG676	
AX500 Function	Pin Number
VCCIB3	T19
VCCIB3	U19
VCCIB3	U20
VCCIB3	V19
VCCIB3	V20
VCCIB3	W20
VCCIB4	W14
VCCIB4	W15
VCCIB4	W16
VCCIB4	W17
VCCIB4	W18
VCCIB4	Y17
VCCIB4	Y18
VCCIB4	Y19
VCCIB5	W10
VCCIB5	W11
VCCIB5	W12
VCCIB5	W13
VCCIB5	W9
VCCIB5	Y10
VCCIB5	Y8
VCCIB5	Y9
VCCIB6	P8
VCCIB6	R8
VCCIB6	T8
VCCIB6	U7
VCCIB6	U8
VCCIB6	V7
VCCIB6	V8
VCCIB6	W7
VCCIB7	H7
VCCIB7	J7
VCCIB7	J8
VCCIB7	K7
VCCIB7	K8

FG676	
AX500 Function	Pin Number
VCCIB7	L8
VCCIB7	M8
VCCIB7	N8
VCCPLA	E12
VCCPLB	F13
VCCPLC	E15
VCCPLD	G14
VCCPLE	AF15
VCCPLF	AA14
VCCPLG	AF12
VCCPLH	AB13
VCOMPLA	D12
VCOMPLB	G13
VCOMPLC	D15
VCOMPLD	F14
VCOMPLE	AD15
VCOMPLF	AB14
VCOMPLG	AD12
VCOMPLH	Y13
VPUMP	E22

FG676	
AX1000 Function	Pin Number
Bank 0	
IO00NB0F0	B4
IO00PB0F0	C4
IO02NB0F0	E7
IO02PB0F0	E6
IO03NB0F0	D6
IO03PB0F0	D5
IO04NB0F0	B5
IO04PB0F0	C5
IO05NB0F0	A5
IO05PB0F0	A4
IO06NB0F0	F7
IO06PB0F0	F6
IO07NB0F0	B6
IO07PB0F0	C6
IO08NB0F0	C7
IO08PB0F0	D7
IO10NB0F0	F8
IO10PB0F0	E8
IO11NB0F0	A7
IO11PB0F0	A6
IO12NB0F1	C8
IO12PB0F1	D8
IO13NB0F1	B8
IO13PB0F1	B7
IO14NB0F1	D9
IO14PB0F1	E9
IO16NB0F1	F10
IO16PB0F1	F9
IO18NB0F1	B9
IO18PB0F1	C9
IO19NB0F1	A10
IO19PB0F1	A9
IO20NB0F1	D10
IO20PB0F1	E10
IO21NB0F1	B10

FG676	
AX1000 Function	Pin Number
IO21PB0F1	C10
IO22NB0F2	F11
IO22PB0F2	G11
IO24NB0F2	D11
IO24PB0F2	E11
IO26NB0F2	C12
IO26PB0F2	C11
IO28NB0F2	F12
IO28PB0F2	G12
Bank 1	
IO30NB0F2/HCLKAN	A12
IO30PB0F2/HCLKAP	B12
IO31NB0F2/HCLKBN	C13
IO31PB0F2/HCLKBP	B13
IO32NB1F3/HCLKCN	C15
IO32PB1F3/HCLKCP	C14
IO33NB1F3/HCLKDN	A15
IO33PB1F3/HCLKDP	B15
IO35NB1F3	B16
IO35PB1F3	A16
IO36NB1F3	F15
IO36PB1F3	G15
IO38NB1F3	F16
IO38PB1F3	G16
IO40NB1F3	A18
IO40PB1F3	A17
IO41NB1F4	C18
IO41PB1F4	C17
IO42NB1F4	D16
IO42PB1F4	E16
IO44NB1F4	D18
IO44PB1F4	D17
IO45NB1F4	B19
IO45PB1F4	B18
IO46NB1F4	B20
IO46PB1F4	A20

FG676	
AX1000 Function	Pin Number
IO48NB1F4	F17
IO48PB1F4	E17
IO49NB1F4	A22
IO49PB1F4	A21
IO50NB1F4	E18
IO50PB1F4	F18
IO51NB1F4	D19
IO51PB1F4	C19
IO52NB1F4	D20
IO52PB1F4	C20
IO54NB1F5	B22
IO54PB1F5	B21
IO55NB1F5	D21
IO55PB1F5	C21
IO56NB1F5	F19
IO56PB1F5	E19
IO57NB1F5	B23
IO57PB1F5	A23
IO58NB1F5	D22
IO58PB1F5	C22
IO59NB1F5	B24
IO59PB1F5	A24
IO60NB1F5	E21
IO60PB1F5	E20
IO62NB1F5	D23
IO62PB1F5	C23
IO63NB1F5	F21
IO63PB1F5	F20
Bank 2	
IO64NB2F6	H21
IO64PB2F6	G21
IO65NB2F6	G22
IO65PB2F6	F22
IO66NB2F6	F24
IO66PB2F6	F23
IO67NB2F6	E24

FG676	
AX1000 Function	Pin Number
IO67PB2F6	E23
IO68NB2F6	H23
IO68PB2F6	H22
IO69NB2F6	D25
IO69PB2F6	C25
IO70NB2F6	G24
IO70PB2F6	G23
IO71NB2F6	F25
IO71PB2F6	E25
IO72NB2F6	G26
IO72PB2F6	F26
IO73NB2F6	E26
IO73PB2F6	D26
IO74NB2F7	J21
IO74PB2F7	J22
IO75NB2F7	J24
IO75PB2F7	H24
IO76NB2F7	K23
IO76PB2F7	J23
IO77NB2F7	H25
IO77PB2F7	G25
IO78NB2F7	K25
IO78PB2F7	J25
IO80NB2F7	K21
IO80PB2F7	K22
IO81NB2F7	K26
IO81PB2F7	J26
IO82NB2F7	L24
IO82PB2F7	K24
IO83NB2F7	L23
IO83PB2F7	L22
IO84NB2F7	L20
IO84PB2F7	L21
IO86NB2F8	L26
IO86PB2F8	L25
IO88NB2F8	M23

FG676	
AX1000 Function	Pin Number
IO88PB2F8	M22
IO89NB2F8	M26
IO89PB2F8	M25
IO90NB2F8	M20
IO90PB2F8	M21
IO91NB2F8	N24
IO91PB2F8	M24
IO92NB2F8	N22
IO92PB2F8	N23
IO94NB2F8	N20
IO94PB2F8	N21
IO95NB2F8	P25
IO95PB2F8	N25
Bank 3	
IO98NB3F9	P20
IO98PB3F9	P21
IO99NB3F9	R24
IO99PB3F9	P24
IO100NB3F9	R22
IO100PB3F9	P22
IO101NB3F9	T26
IO101PB3F9	R26
IO102NB3F9	R21
IO102PB3F9	R20
IO103NB3F9	T25
IO103PB3F9	R25
IO105NB3F9	V26
IO105PB3F9	U26
IO106NB3F9	T23
IO106PB3F9	R23
IO107NB3F10	U24
IO107PB3F10	T24
IO108NB3F10	U22
IO108PB3F10	T22
IO109NB3F10	V25
IO109PB3F10	U25

FG676	
AX1000 Function	Pin Number
IO110NB3F10	T21
IO110PB3F10	T20
IO112NB3F10	V23
IO112PB3F10	U23
IO113NB3F10	Y25
IO113PB3F10	W25
IO114NB3F10	V21
IO114PB3F10	U21
IO115NB3F10	W24
IO115PB3F10	V24
IO116NB3F10	AA26
IO116PB3F10	Y26
IO118NB3F11	AC26
IO118PB3F11	AB26
IO119NB3F11	AB25
IO119PB3F11	AA25
IO120NB3F11	W22
IO120PB3F11	V22
IO121NB3F11	Y23
IO121PB3F11	W23
IO122NB3F11	AA24
IO122PB3F11	Y24
IO123NB3F11	AE26
IO123PB3F11	AD26
IO124NB3F11	Y21
IO124PB3F11	W21
IO125NB3F11	AD25
IO125PB3F11	AC25
IO126NB3F11	AB23
IO126PB3F11	AA23
IO127NB3F11	AC24
IO127PB3F11	AB24
IO128NB3F11	AA22
IO128PB3F11	Y22
Bank 4	
IO129NB4F12	AB21

FG676	
AX1000 Function	Pin Number
IO129PB4F12	AA21
IO131NB4F12	AD22
IO131PB4F12	AD23
IO132NB4F12	AE23
IO132PB4F12	AE24
IO133NB4F12	AB20
IO133PB4F12	AA20
IO134NB4F12	AC21
IO134PB4F12	AC22
IO135NB4F12	AF22
IO135PB4F12	AF23
IO137NB4F12	AB19
IO137PB4F12	AA19
IO139NB4F13	AC19
IO139PB4F13	AC20
IO140NB4F13	AE21
IO140PB4F13	AE22
IO141NB4F13	AD20
IO141PB4F13	AD21
IO143NB4F13	AB17
IO143PB4F13	AB18
IO144NB4F13	AE19
IO144PB4F13	AE20
IO145NB4F13	AC17
IO145PB4F13	AC18
IO146NB4F13	AD18
IO146PB4F13	AD19
IO147NB4F13	AA17
IO147PB4F13	AA18
IO148NB4F13	AF20
IO148PB4F13	AF21
IO149NB4F13	AA16
IO149PB4F13	Y16
IO151NB4F13	AC16
IO151PB4F13	AB16
IO153NB4F14	AE17

FG676	
AX1000 Function	Pin Number
IO153PB4F14	AE18
IO154NB4F14	AF17
IO154PB4F14	AF18
IO155NB4F14	AA15
IO155PB4F14	Y15
IO157NB4F14	AC15
IO157PB4F14	AB15
IO159NB4F14/CLKEN	AE16
IO159PB4F14/CLKEP	AF16
IO160NB4F14/CLKFN	AE14
IO160PB4F14/CLKFP	AE15
Bank 5	
IO161NB5F15/CLKGN	AE12
IO161PB5F15/CLKGP	AE13
IO162NB5F15/CLKHN	AE11
IO162PB5F15/CLKHP	AF11
IO163NB5F15	AC12
IO163PB5F15	AB12
IO165NB5F15	Y12
IO165PB5F15	AA13
IO167NB5F15	Y11
IO167PB5F15	AA12
IO168NB5F15	AF9
IO168PB5F15	AF10
IO169NB5F15	AB11
IO169PB5F15	AA11
IO171NB5F16	AE9
IO171PB5F16	AE10
IO173NB5F16	AC10
IO173PB5F16	AC11
IO174NB5F16	AE7
IO174PB5F16	AE8
IO175NB5F16	AC9
IO175PB5F16	AD9
IO176NB5F16	AF6
IO176PB5F16	AF7

FG676	
AX1000 Function	Pin Number
IO177NB5F16	AA10
IO177PB5F16	AB10
IO179NB5F16	AD7
IO179PB5F16	AD8
IO180NB5F16	AC7
IO180PB5F16	AC8
IO181NB5F17	AA9
IO181PB5F17	AB9
IO183NB5F17	AD6
IO183PB5F17	AE6
IO184NB5F17	AE5
IO184PB5F17	AF5
IO185NB5F17	AA8
IO185PB5F17	AB8
IO187NB5F17	AC5
IO187PB5F17	AC6
IO188NB5F17	AD4
IO188PB5F17	AD5
IO189NB5F17	AB6
IO189PB5F17	AB7
IO190NB5F17	AF4
IO190PB5F17	AE4
IO191NB5F17	AE3
IO191PB5F17	AF3
IO192NB5F17	AA6
IO192PB5F17	AA7
Bank 6	
IO193NB6F18	Y5
IO193PB6F18	AA5
IO194NB6F18	AB3
IO194PB6F18	AC3
IO195NB6F18	Y4
IO195PB6F18	AA4
IO196NB6F18	AC2
IO196PB6F18	AD2
IO197NB6F18	W6

FG676	
AX1000 Function	Pin Number
IO197PB6F18	Y6
IO198NB6F18	AD1
IO198PB6F18	AE1
IO199NB6F18	AA2
IO199PB6F18	AB2
IO200NB6F18	Y3
IO200PB6F18	AA3
IO201NB6F18	V5
IO201PB6F18	W5
IO202NB6F18	AB1
IO202PB6F18	AC1
IO203NB6F19	V4
IO203PB6F19	W4
IO204NB6F19	V3
IO204PB6F19	W3
IO205NB6F19	U6
IO205PB6F19	V6
IO206NB6F19	W2
IO206PB6F19	Y2
IO207NB6F19	U4
IO207PB6F19	U5
IO208NB6F19	Y1
IO208PB6F19	AA1
IO209NB6F19	T6
IO209PB6F19	T7
IO211NB6F19	T3
IO211PB6F19	U3
IO212NB6F19	V1
IO212PB6F19	V2
IO213NB6F19	T5
IO213PB6F19	T4
IO214NB6F20	U1
IO214PB6F20	U2
IO215NB6F20	R6
IO215PB6F20	R7
IO217NB6F20	R5

FG676	
AX1000 Function	Pin Number
IO217PB6F20	R4
IO218NB6F20	R2
IO218PB6F20	T2
IO219NB6F20	P3
IO219PB6F20	R3
IO220NB6F20	R1
IO220PB6F20	T1
IO221NB6F20	P6
IO221PB6F20	P7
IO223NB6F20	P5
IO223PB6F20	P4
Bank 7	
IO225NB7F21	N5
IO225PB7F21	N4
IO226NB7F21	N2
IO226PB7F21	N3
IO227NB7F21	N6
IO227PB7F21	N7
IO229NB7F21	M7
IO229PB7F21	M6
IO231NB7F21	M5
IO231PB7F21	M4
IO232NB7F21	L1
IO232PB7F21	M1
IO233NB7F21	M2
IO233PB7F21	M3
IO235NB7F21	K2
IO235PB7F21	L2
IO236NB7F22	L5
IO236PB7F22	L4
IO237NB7F22	L6
IO237PB7F22	L7
IO238NB7F22	K3
IO238PB7F22	L3
IO240NB7F22	J1
IO240PB7F22	K1

FG676	
AX1000 Function	Pin Number
IO241NB7F22	K6
IO241PB7F22	K5
IO242NB7F22	H2
IO242PB7F22	J2
IO243NB7F22	J4
IO243PB7F22	K4
IO244NB7F22	H3
IO244PB7F22	J3
IO245NB7F22	G2
IO245PB7F22	G1
IO247NB7F23	J6
IO247PB7F23	J5
IO248NB7F23	E1
IO248PB7F23	F1
IO249NB7F23	E2
IO249PB7F23	F2
IO250NB7F23	G4
IO250PB7F23	H4
IO251NB7F23	F3
IO251PB7F23	G3
IO253NB7F23	H6
IO253PB7F23	H5
IO254NB7F23	D2
IO254PB7F23	D1
IO255NB7F23	E4
IO255PB7F23	F4
IO256NB7F23	D3
IO256PB7F23	E3
IO257NB7F23	F5
IO257PB7F23	G5
Dedicated I/O	
GND	A1
GND	A13
GND	A14
GND	A19
GND	A26

FG676	
AX1000 Function	Pin Number
GND	A8
GND	AC23
GND	AC4
GND	AD24
GND	AD3
GND	AE2
GND	AE25
GND	AF1
GND	AF13
GND	AF14
GND	AF19
GND	AF26
GND	AF8
GND	B2
GND	B25
GND	B26
GND	C24
GND	C3
GND	G20
GND	G7
GND	H1
GND	H19
GND	H26
GND	H8
GND	J18
GND	J9
GND	K10
GND	K11
GND	K12
GND	K13
GND	K14
GND	K15
GND	K16
GND	K17
GND	L10
GND	L11

FG676	
AX1000 Function	Pin Number
GND	L12
GND	L13
GND	L14
GND	L15
GND	L16
GND	L17
GND	M10
GND	M11
GND	M12
GND	M13
GND	M14
GND	M15
GND	M16
GND	M17
GND	N1
GND	N10
GND	N11
GND	N12
GND	N13
GND	N14
GND	N15
GND	N16
GND	N17
GND	N26
GND	P1
GND	P10
GND	P11
GND	P12
GND	P13
GND	P14
GND	P15
GND	P16
GND	P17
GND	P26
GND	R10
GND	R11

FG676	
AX1000 Function	Pin Number
GND	R12
GND	R13
GND	R14
GND	R15
GND	R16
GND	R17
GND	T10
GND	T11
GND	T12
GND	T13
GND	T14
GND	T15
GND	T16
GND	T17
GND	U10
GND	U11
GND	U12
GND	U13
GND	U14
GND	U15
GND	U16
GND	U17
GND	V18
GND	V9
GND	W1
GND	W19
GND	W26
GND	W8
GND	Y20
GND	Y7
GND/LP	C2
NC	A25
NC	AC13
NC	AC14
NC	AF2
NC	AF25

FG676	
AX1000 Function	Pin Number
NC	D13
NC	D14
PRA	E13
PRB	B14
PRC	Y14
PRD	AD14
TCK	E5
TDI	B3
TDO	G6
TMS	D4
TRST	A2
VCCA	AB4
VCCA	AF24
VCCA	C1
VCCA	C26
VCCA	J10
VCCA	J11
VCCA	J12
VCCA	J13
VCCA	J14
VCCA	J15
VCCA	J16
VCCA	J17
VCCA	K18
VCCA	K9
VCCA	L18
VCCA	L9
VCCA	M18
VCCA	M9
VCCA	N18
VCCA	N9
VCCA	P18
VCCA	P9
VCCA	R18
VCCA	R9
VCCA	T18

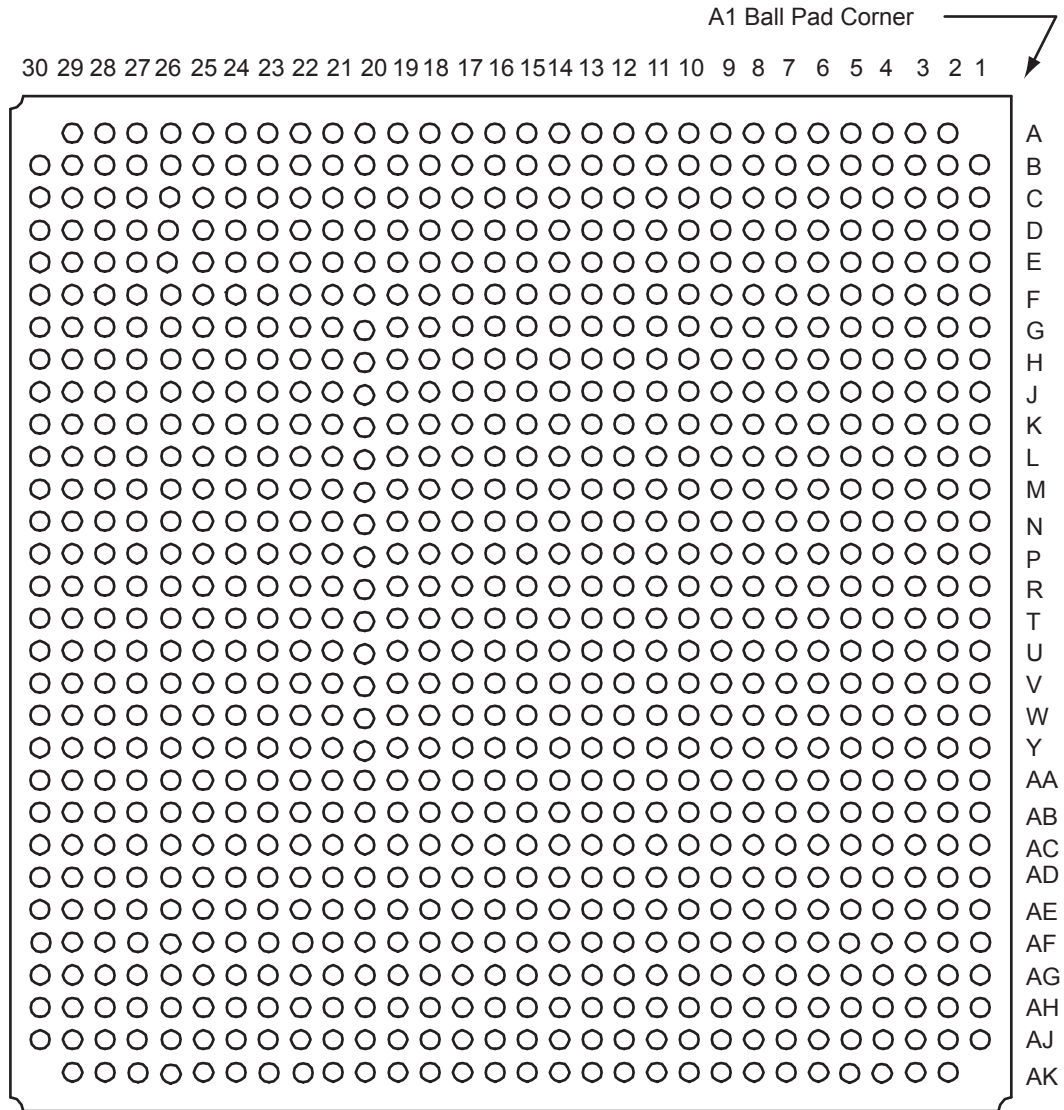
FG676	
AX1000 Function	Pin Number
VCCA	T9
VCCA	U18
VCCA	U9
VCCA	V10
VCCA	V11
VCCA	V12
VCCA	V13
VCCA	V14
VCCA	V15
VCCA	V16
VCCA	V17
VCCPLA	E12
VCCPLB	F13
VCCPLC	E15
VCCPLD	G14
VCCPLE	AF15
VCCPLF	AA14
VCCPLG	AF12
VCCPLH	AB13
VCCDA	A11
VCCDA	A3
VCCDA	AB22
VCCDA	AB5
VCCDA	AD10
VCCDA	AD11
VCCDA	AD13
VCCDA	AD16
VCCDA	AD17
VCCDA	B1
VCCDA	B11
VCCDA	B17
VCCDA	C16
VCCDA	D24
VCCDA	E14
VCCDA	P2
VCCDA	P23

FG676	
AX1000 Function	Pin Number
VCCIB0	G10
VCCIB0	G8
VCCIB0	G9
VCCIB0	H10
VCCIB0	H11
VCCIB0	H12
VCCIB0	H13
VCCIB0	H9
VCCIB1	G17
VCCIB1	G18
VCCIB1	G19
VCCIB1	H14
VCCIB1	H15
VCCIB1	H16
VCCIB1	H17
VCCIB1	H18
VCCIB2	H20
VCCIB2	J19
VCCIB2	J20
VCCIB2	K19
VCCIB2	K20
VCCIB2	L19
VCCIB2	M19
VCCIB2	N19
VCCIB3	P19
VCCIB3	R19
VCCIB3	T19
VCCIB3	U19
VCCIB3	U20
VCCIB3	V19
VCCIB3	V20
VCCIB3	W20
VCCIB4	W14
VCCIB4	W15
VCCIB4	W16
VCCIB4	W17

FG676	
AX1000 Function	Pin Number
VCCIB4	W18
VCCIB4	Y17
VCCIB4	Y18
VCCIB4	Y19
VCCIB5	W10
VCCIB5	W11
VCCIB5	W12
VCCIB5	W13
VCCIB5	W9
VCCIB5	Y10
VCCIB5	Y8
VCCIB5	Y9
VCCIB6	P8
VCCIB6	R8
VCCIB6	T8
VCCIB6	U7
VCCIB6	U8
VCCIB6	V7
VCCIB6	V8
VCCIB6	W7
VCCIB7	H7
VCCIB7	J7
VCCIB7	J8
VCCIB7	K7
VCCIB7	K8
VCCIB7	L8
VCCIB7	M8
VCCIB7	N8
VCOMPLA	D12
VCOMPLB	G13
VCOMPLC	D15
VCOMPLD	F14
VCOMPLE	AD15
VCOMPLF	AB14
VCOMPLG	AD12

FG676	
AX1000 Function	Pin Number
VCOMPLH	Y13
VPUMP	E22

FG896



Note

For Package Manufacturing and Environmental information, visit Resource center at <http://www.microsemi.com/soc/products/rescenter/package/index.html>.

FG896	
AX1000 Function	Pin Number
Bank 0	
IO00NB0F0	D6
IO00PB0F0	E6
IO01NB0F0	A5
IO01PB0F0	B5
IO02NB0F0	G9
IO02PB0F0	G8
IO03NB0F0	F8
IO03PB0F0	F7
IO04NB0F0	D7
IO04PB0F0	E7
IO05NB0F0	C7
IO05PB0F0	C6
IO06NB0F0	H9
IO06PB0F0	H8
IO07NB0F0	D8
IO07PB0F0	E8
IO08NB0F0	E9
IO08PB0F0	F9
IO09NB0F0	A7
IO09PB0F0	B7
IO10NB0F0	H10
IO10PB0F0	G10
IO11NB0F0	C9
IO11PB0F0	C8
IO12NB0F1	E10
IO12PB0F1	F10
IO13NB0F1	D10
IO13PB0F1	D9
IO14NB0F1	F11
IO14PB0F1	G11
IO15NB0F1	A10
IO15PB0F1	A9
IO16NB0F1	H12
IO16PB0F1	H11

FG896	
AX1000 Function	Pin Number
IO17NB0F1	B11
IO17PB0F1	B10
IO18NB0F1	D11
IO18PB0F1	E11
IO19NB0F1	C12
IO19PB0F1	C11
IO20NB0F1	F12
IO20PB0F1	G12
IO21NB0F1	D12
IO21PB0F1	E12
IO22NB0F2	H13
IO22PB0F2	J13
IO23NB0F2	A12
IO23PB0F2	A11
IO24NB0F2	F13
IO24PB0F2	G13
IO25NB0F2	B13
IO25PB0F2	B12
IO26NB0F2	E14
IO26PB0F2	E13
IO27NB0F2	B14
IO27PB0F2	A14
IO28NB0F2	H14
IO28PB0F2	J14
IO29NB0F2	B15
IO29PB0F2	A15
IO30NB0F2/HCLKAN	C14
IO30PB0F2/HCLKAP	D14
IO31NB0F2/HCLKBN	E15
IO31PB0F2/HCLKBP	D15
Bank 1	
IO32NB1F3/HCLKCN	E17
IO32PB1F3/HCLKCP	E16
IO33NB1F3/HCLKDN	C17
IO33PB1F3/HCLKDP	D17

FG896	
AX1000 Function	Pin Number
IO34NB1F3	A17
IO34PB1F3	B17
IO35NB1F3	D18
IO35PB1F3	C18
IO36NB1F3	H17
IO36PB1F3	J17
IO37NB1F3	B19
IO37PB1F3	A19
IO38NB1F3	H18
IO38PB1F3	J18
IO39NB1F3	B20
IO39PB1F3	A20
IO40NB1F3	C20
IO40PB1F3	C19
IO41NB1F4	E20
IO41PB1F4	E19
IO42NB1F4	F18
IO42PB1F4	G18
IO43NB1F4	A22
IO43PB1F4	A21
IO44NB1F4	F20
IO44PB1F4	F19
IO45NB1F4	D21
IO45PB1F4	D20
IO46NB1F4	D22
IO46PB1F4	C22
IO47NB1F4	A25
IO47PB1F4	A24
IO48NB1F4	H19
IO48PB1F4	G19
IO49NB1F4	C24
IO49PB1F4	C23
IO50NB1F4	G20
IO50PB1F4	H20
IO51NB1F4	F21

FG896		FG896		FG896	
AX1000 Function	Pin Number	AX1000 Function	Pin Number	AX1000 Function	Pin Number
IO51PB1F4	E21	IO68PB2F6	K24	IO86NB2F8	N28
IO52NB1F4	F22	IO69NB2F6	F27	IO86PB2F8	N27
IO52PB1F4	E22	IO69PB2F6	E27	IO87NB2F8	P29
IO53NB1F4	B25	IO70NB2F6	J26	IO87PB2F8	P30
IO53PB1F4	B24	IO70PB2F6	J25	IO88NB2F8	P25
IO54NB1F5	D24	IO71NB2F6	H27	IO88PB2F8	P24
IO54PB1F5	D23	IO71PB2F6	G27	IO89NB2F8	P28
IO55NB1F5	F23	IO72NB2F6	J28	IO89PB2F8	P27
IO55PB1F5	E23	IO72PB2F6	H28	IO90NB2F8	P22
IO56NB1F5	H21	IO73NB2F6	G28	IO90PB2F8	P23
IO56PB1F5	G21	IO73PB2F6	F28	IO91NB2F8	R26
IO57NB1F5	D25	IO74NB2F7	L23	IO91PB2F8	P26
IO57PB1F5	C25	IO74PB2F7	L24	IO92NB2F8	R24
IO58NB1F5	F24	IO75NB2F7	L26	IO92PB2F8	R25
IO58PB1F5	E24	IO75PB2F7	K26	IO93NB2F8	R29
IO59NB1F5	D26	IO76NB2F7	M25	IO93PB2F8	R30
IO59PB1F5	C26	IO76PB2F7	L25	IO94NB2F8	R22
IO60NB1F5	G23	IO77NB2F7	K27	IO94PB2F8	R23
IO60PB1F5	G22	IO77PB2F7	J27	IO95NB2F8	T27
IO61NB1F5	B27	IO78NB2F7	M27	IO95PB2F8	R27
IO61PB1F5	A27	IO78PB2F7	L27	Bank 3	
IO62NB1F5	F25	IO79NB2F7	K30	IO96NB3F9	T29
IO62PB1F5	E25	IO79PB2F7	K29	IO96PB3F9	T30
IO63NB1F5	H23	IO80NB2F7	M23	IO97NB3F9	U29
IO63PB1F5	H22	IO80PB2F7	M24	IO97PB3F9	U30
Bank 2		IO81NB2F7	M28	IO98NB3F9	T22
IO64NB2F6	K23	IO81PB2F7	L28	IO98PB3F9	T23
IO64PB2F6	J23	IO82NB2F7	N26	IO99NB3F9	U26
IO65NB2F6	J24	IO82PB2F7	M26	IO99PB3F9	T26
IO65PB2F6	H24	IO83NB2F7	N25	IO100NB3F9	U24
IO66NB2F6	H26	IO83PB2F7	N24	IO100PB3F9	T24
IO66PB2F6	H25	IO84NB2F7	N22	IO101NB3F9	V28
IO67NB2F6	G26	IO84PB2F7	N23	IO101PB3F9	U28
IO67PB2F6	G25	IO85NB2F8	M29	IO102NB3F9	U23
IO68NB2F6	K25	IO85PB2F8	L29	IO102PB3F9	U22

FG896	
AX1000 Function	Pin Number
IO103NB3F9	V27
IO103PB3F9	U27
IO104NB3F9	W29
IO104PB3F9	V29
IO105NB3F9	Y28
IO105PB3F9	W28
IO106NB3F9	V25
IO106PB3F9	U25
IO107NB3F10	W26
IO107PB3F10	V26
IO108NB3F10	W24
IO108PB3F10	V24
IO109NB3F10	Y27
IO109PB3F10	W27
IO110NB3F10	V23
IO110PB3F10	V22
IO111NB3F10	AA29
IO111PB3F10	Y29
IO112NB3F10	Y25
IO112PB3F10	W25
IO113NB3F10	AB27
IO113PB3F10	AA27
IO114NB3F10	Y23
IO114PB3F10	W23
IO115NB3F10	AA26
IO115PB3F10	Y26
IO116NB3F10	AC28
IO116PB3F10	AB28
IO117NB3F10	AE29
IO117PB3F10	AD29
IO118NB3F11	AE28
IO118PB3F11	AD28
IO119NB3F11	AD27
IO119PB3F11	AC27
IO120NB3F11	AA24

FG896	
AX1000 Function	Pin Number
IO120PB3F11	Y24
IO121NB3F11	AB25
IO121PB3F11	AA25
IO122NB3F11	AC26
IO122PB3F11	AB26
IO123NB3F11	AG28
IO123PB3F11	AF28
IO124NB3F11	AB23
IO124PB3F11	AA23
IO125NB3F11	AF27
IO125PB3F11	AE27
IO126NB3F11	AD25
IO126PB3F11	AC25
IO127NB3F11	AE26
IO127PB3F11	AD26
IO128NB3F11	AC24
IO128PB3F11	AB24
Bank 4	
IO129NB4F12	AD23
IO129PB4F12	AC23
IO130NB4F12	AK26
IO130PB4F12	AK27
IO131NB4F12	AF24
IO131PB4F12	AF25
IO132NB4F12	AG25
IO132PB4F12	AG26
IO133NB4F12	AD22
IO133PB4F12	AC22
IO134NB4F12	AE23
IO134PB4F12	AE24
IO135NB4F12	AH24
IO135PB4F12	AH25
IO136NB4F12	AJ25
IO136PB4F12	AJ26
IO137NB4F12	AD21

FG896	
AX1000 Function	Pin Number
IO137PB4F12	AC21
IO138NB4F12	AK24
IO138PB4F12	AK25
IO139NB4F13	AE21
IO139PB4F13	AE22
IO140NB4F13	AG23
IO140PB4F13	AG24
IO141NB4F13	AF22
IO141PB4F13	AF23
IO142NB4F13	AJ23
IO142PB4F13	AJ24
IO143NB4F13	AD19
IO143PB4F13	AD20
IO144NB4F13	AG21
IO144PB4F13	AG22
IO145NB4F13	AE19
IO145PB4F13	AE20
IO146NB4F13	AF20
IO146PB4F13	AF21
IO147NB4F13	AC19
IO147PB4F13	AC20
IO148NB4F13	AH22
IO148PB4F13	AH23
IO149NB4F13	AC18
IO149PB4F13	AB18
IO150NB4F13	AK21
IO150PB4F13	AJ21
IO151NB4F13	AE18
IO151PB4F13	AD18
IO152NB4F14	AJ20
IO152PB4F14	AK20
IO153NB4F14	AG19
IO153PB4F14	AG20
IO154NB4F14	AH19
IO154PB4F14	AH20

FG896	
AX1000 Function	Pin Number
IO155NB4F14	AC17
IO155PB4F14	AB17
IO156NB4F14	AK19
IO156PB4F14	AJ19
IO157NB4F14	AE17
IO157PB4F14	AD17
IO158NB4F14	AJ17
IO158PB4F14	AJ18
IO159NB4F14/CLKEN	AG18
IO159PB4F14/CLKEP	AH18
IO160NB4F14/CLKFN	AG16
IO160PB4F14/CLKFP	AG17
Bank 5	
IO161NB5F15/CLKGN	AG14
IO161PB5F15/CLKGP	AG15
IO162NB5F15/CLKHN	AG13
IO162PB5F15/CLKHP	AH13
IO163NB5F15	AE14
IO163PB5F15	AD14
IO164NB5F15	AJ12
IO164PB5F15	AJ13
IO165NB5F15	AB14
IO165PB5F15	AC15
IO166NB5F15	AK11
IO166PB5F15	AK12
IO167NB5F15	AB13
IO167PB5F15	AC14
IO168NB5F15	AH11
IO168PB5F15	AH12
IO169NB5F15	AD13
IO169PB5F15	AC13
IO170NB5F15	AJ10
IO170PB5F15	AJ11
IO171NB5F16	AG11
IO171PB5F16	AG12

FG896	
AX1000 Function	Pin Number
IO172NB5F16	AK9
IO172PB5F16	AK10
IO173NB5F16	AE12
IO173PB5F16	AE13
IO174NB5F16	AG9
IO174PB5F16	AG10
IO175NB5F16	AE11
IO175PB5F16	AF11
IO176NB5F16	AH8
IO176PB5F16	AH9
IO177NB5F16	AC12
IO177PB5F16	AD12
IO178NB5F16	AJ7
IO178PB5F16	AJ8
IO179NB5F16	AF9
IO179PB5F16	AF10
IO180NB5F16	AE9
IO180PB5F16	AE10
IO181NB5F17	AC11
IO181PB5F17	AD11
IO182NB5F17	AK6
IO182PB5F17	AK7
IO183NB5F17	AF8
IO183PB5F17	AG8
IO184NB5F17	AG7
IO184PB5F17	AH7
IO185NB5F17	AC10
IO185PB5F17	AD10
IO186NB5F17	AJ5
IO186PB5F17	AJ6
IO187NB5F17	AE7
IO187PB5F17	AE8
IO188NB5F17	AF6
IO188PB5F17	AF7
IO189NB5F17	AD8

FG896	
AX1000 Function	Pin Number
IO189PB5F17	AD9
IO190NB5F17	AH6
IO190PB5F17	AG6
IO191NB5F17	AG5
IO191PB5F17	AH5
IO192NB5F17	AC8
IO192PB5F17	AC9
Bank 6	
IO193NB6F18	AB7
IO193PB6F18	AC7
IO194NB6F18	AD5
IO194PB6F18	AE5
IO195NB6F18	AB6
IO195PB6F18	AC6
IO196NB6F18	AE4
IO196PB6F18	AF4
IO197NB6F18	AA8
IO197PB6F18	AB8
IO198NB6F18	AF3
IO198PB6F18	AG3
IO199NB6F18	AC4
IO199PB6F18	AD4
IO200NB6F18	AB5
IO200PB6F18	AC5
IO201NB6F18	Y7
IO201PB6F18	AA7
IO202NB6F18	AD3
IO202PB6F18	AE3
IO203NB6F19	Y6
IO203PB6F19	AA6
IO204NB6F19	Y5
IO204PB6F19	AA5
IO205NB6F19	W8
IO205PB6F19	Y8
IO206NB6F19	AA4

FG896	
AX1000 Function	Pin Number
IO206PB6F19	AB4
IO207NB6F19	W6
IO207PB6F19	W7
IO208NB6F19	AB3
IO208PB6F19	AC3
IO209NB6F19	V8
IO209PB6F19	V9
IO210NB6F19	AA2
IO210PB6F19	AA1
IO211NB6F19	V5
IO211PB6F19	W5
IO212NB6F19	Y3
IO212PB6F19	Y4
IO213NB6F19	V7
IO213PB6F19	V6
IO214NB6F20	W3
IO214PB6F20	W4
IO215NB6F20	U8
IO215PB6F20	U9
IO216NB6F20	W1
IO216PB6F20	W2
IO217NB6F20	U7
IO217PB6F20	U6
IO218NB6F20	U4
IO218PB6F20	V4
IO219NB6F20	T5
IO219PB6F20	U5
IO220NB6F20	U3
IO220PB6F20	V3
IO221NB6F20	T8
IO221PB6F20	T9
IO222NB6F20	U2
IO222PB6F20	V2
IO223NB6F20	T7
IO223PB6F20	T6

FG896	
AX1000 Function	Pin Number
IO224NB6F20	R2
IO224PB6F20	T2
Bank 7	
IO225NB7F21	R7
IO225PB7F21	R6
IO226NB7F21	R4
IO226PB7F21	R5
IO227NB7F21	R8
IO227PB7F21	R9
IO228NB7F21	P1
IO228PB7F21	R1
IO229NB7F21	P9
IO229PB7F21	P8
IO230NB7F21	N2
IO230PB7F21	P2
IO231NB7F21	P7
IO231PB7F21	P6
IO232NB7F21	N3
IO232PB7F21	P3
IO233NB7F21	P4
IO233PB7F21	P5
IO234NB7F21	L1
IO234PB7F21	M1
IO235NB7F21	M4
IO235PB7F21	N4
IO236NB7F22	N7
IO236PB7F22	N6
IO237NB7F22	N8
IO237PB7F22	N9
IO238NB7F22	M5
IO238PB7F22	N5
IO239NB7F22	L2
IO239PB7F22	M2
IO240NB7F22	L3
IO240PB7F22	M3

FG896	
AX1000 Function	Pin Number
IO241NB7F22	M8
IO241PB7F22	M7
IO242NB7F22	K4
IO242PB7F22	L4
IO243NB7F22	L6
IO243PB7F22	M6
IO244NB7F22	K5
IO244PB7F22	L5
IO245NB7F22	J4
IO245PB7F22	J3
IO246NB7F22	G2
IO246PB7F22	H2
IO247NB7F23	L8
IO247PB7F23	L7
IO248NB7F23	G3
IO248PB7F23	H3
IO249NB7F23	G4
IO249PB7F23	H4
IO250NB7F23	J6
IO250PB7F23	K6
IO251NB7F23	H5
IO251PB7F23	J5
IO252NB7F23	F2
IO252PB7F23	F1
IO253NB7F23	K8
IO253PB7F23	K7
IO254NB7F23	F4
IO254PB7F23	F3
IO255NB7F23	G6
IO255PB7F23	H6
IO256NB7F23	F5
IO256PB7F23	G5
IO257NB7F23	H7
IO257PB7F23	J7
Dedicated I/O	

FG896	
AX1000 Function	Pin Number
GND	A13
GND	A18
GND	A2
GND	A23
GND	A29
GND	A8
GND	AA10
GND	AA21
GND	AA28
GND	AA3
GND	AB2
GND	AB22
GND	AB29
GND	AB9
GND	AC1
GND	AC30
GND	AE25
GND	AE6
GND	AF26
GND	AF5
GND	AG27
GND	AG4
GND	AH10
GND	AH15
GND	AH16
GND	AH21
GND	AH28
GND	AH3
GND	AJ1
GND	AJ2
GND	AJ22
GND	AJ29
GND	AJ30
GND	AJ9
GND	AK13

FG896	
AX1000 Function	Pin Number
GND	AK18
GND	AK2
GND	AK23
GND	AK29
GND	AK8
GND	B1
GND	B2
GND	B22
GND	B29
GND	B30
GND	B9
GND	C10
GND	C15
GND	C16
GND	C21
GND	C28
GND	C3
GND	D27
GND	D28
GND	D4
GND	E26
GND	E5
GND	H1
GND	H30
GND	J2
GND	J22
GND	J29
GND	J9
GND	K10
GND	K21
GND	K28
GND	K3
GND	L11
GND	L20
GND	M12

FG896	
AX1000 Function	Pin Number
GND	M13
GND	M14
GND	M15
GND	M16
GND	M17
GND	M18
GND	M19
GND	N1
GND	N12
GND	N13
GND	N14
GND	N15
GND	N16
GND	N17
GND	N18
GND	N19
GND	N30
GND	P12
GND	P13
GND	P14
GND	P15
GND	P16
GND	P17
GND	P18
GND	P19
GND	R12
GND	R13
GND	R14
GND	R15
GND	R16
GND	R17
GND	R18
GND	R19
GND	R28
GND	R3

FG896	
AX1000 Function	Pin Number
GND	T12
GND	T13
GND	T14
GND	T15
GND	T16
GND	T17
GND	T18
GND	T19
GND	T28
GND	T3
GND	U12
GND	U13
GND	U14
GND	U15
GND	U16
GND	U17
GND	U18
GND	U19
GND	V1
GND	V12
GND	V13
GND	V14
GND	V15
GND	V16
GND	V17
GND	V18
GND	V19
GND	V30
GND	W12
GND	W13
GND	W14
GND	W15
GND	W16
GND	W17
GND	W18

FG896	
AX1000 Function	Pin Number
GND	W19
GND	Y11
GND	Y20
GND/LP	E4
NC	A16
NC	A26
NC	A4
NC	A6
NC	AA30
NC	AB1
NC	AB30
NC	AC2
NC	AC29
NC	AD1
NC	AD2
NC	AD30
NC	AE1
NC	AE15
NC	AE16
NC	AE2
NC	AE30
NC	AF1
NC	AF2
NC	AF29
NC	AF30
NC	AG1
NC	AG2
NC	AG29
NC	AG30
NC	AH27
NC	AH4
NC	AJ14
NC	AJ15
NC	AJ16
NC	AJ27

FG896	
AX1000 Function	Pin Number
NC	AJ4
NC	AK14
NC	AK15
NC	AK16
NC	AK17
NC	AK22
NC	AK4
NC	AK5
NC	B16
NC	B18
NC	B21
NC	B23
NC	B26
NC	B4
NC	B6
NC	B8
NC	C27
NC	D1
NC	D2
NC	D29
NC	D30
NC	E1
NC	E2
NC	E29
NC	E30
NC	F15
NC	F16
NC	F29
NC	F30
NC	G1
NC	G29
NC	G30
NC	H29
NC	J1
NC	J30

FG896		FG896		FG896	
AX1000 Function	Pin Number	AX1000 Function	Pin Number	AX1000 Function	Pin Number
NC	K1	VCCA	N20	VCCDA	AF19
NC	K2	VCCA	P11	VCCDA	C13
NC	L30	VCCA	P20	VCCDA	C5
NC	M30	VCCA	R11	VCCDA	D13
NC	N29	VCCA	R20	VCCDA	D19
NC	T1	VCCA	T11	VCCDA	D3
NC	U1	VCCA	T20	VCCDA	E18
NC	W30	VCCA	U11	VCCDA	F26
NC	Y1	VCCA	U20	VCCDA	G16
NC	Y2	VCCA	V11	VCCDA	T25
NC	Y30	VCCA	V20	VCCDA	T4
PRA	G15	VCCA	W11	VCCIB0	A3
PRB	D16	VCCA	W20	VCCIB0	B3
PRC	AB16	VCCA	Y12	VCCIB0	J10
PRD	AF16	VCCA	Y13	VCCIB0	J11
TCK	G7	VCCA	Y14	VCCIB0	J12
TDI	D5	VCCA	Y15	VCCIB0	K11
TDO	J8	VCCA	Y16	VCCIB0	K12
TMS	F6	VCCA	Y17	VCCIB0	K13
TRST	C4	VCCA	Y18	VCCIB0	K14
VCCA	AD6	VCCA	Y19	VCCIB0	K15
VCCA	AH26	VCCPLA	G14	VCCIB1	A28
VCCA	E28	VCCPLB	H15	VCCIB1	B28
VCCA	E3	VCCPLC	G17	VCCIB1	J19
VCCA	L12	VCCPLD	J16	VCCIB1	J20
VCCA	L13	VCCPLE	AH17	VCCIB1	J21
VCCA	L14	VCCPLF	AC16	VCCIB1	K16
VCCA	L15	VCCPLG	AH14	VCCIB1	K17
VCCA	L16	VCCPLH	AD15	VCCIB1	K18
VCCA	L17	VCCDA	AD24	VCCIB1	K19
VCCA	L18	VCCDA	AD7	VCCIB1	K20
VCCA	L19	VCCDA	AF12	VCCIB2	C29
VCCA	M11	VCCDA	AF13	VCCIB2	C30
VCCA	M20	VCCDA	AF15	VCCIB2	K22
VCCA	N11	VCCDA	AF18	VCCIB2	L21

FG896	
AX1000 Function	Pin Number
VCCIB2	L22
VCCIB2	M21
VCCIB2	M22
VCCIB2	N21
VCCIB2	P21
VCCIB2	R21
VCCIB3	AA22
VCCIB3	AH29
VCCIB3	AH30
VCCIB3	T21
VCCIB3	U21
VCCIB3	V21
VCCIB3	W21
VCCIB3	W22
VCCIB3	Y21
VCCIB3	Y22
VCCIB4	AA16
VCCIB4	AA17
VCCIB4	AA18
VCCIB4	AA19
VCCIB4	AA20
VCCIB4	AB19
VCCIB4	AB20
VCCIB4	AB21
VCCIB4	AJ28
VCCIB4	AK28
VCCIB5	AA11
VCCIB5	AA12
VCCIB5	AA13
VCCIB5	AA14
VCCIB5	AA15
VCCIB5	AB10
VCCIB5	AB11
VCCIB5	AB12
VCCIB5	AJ3

FG896	
AX1000 Function	Pin Number
VCCIB5	AK3
VCCIB6	AA9
VCCIB6	AH1
VCCIB6	AH2
VCCIB6	T10
VCCIB6	U10
VCCIB6	V10
VCCIB6	W10
VCCIB6	W9
VCCIB6	Y10
VCCIB6	Y9
VCCIB7	C1
VCCIB7	C2
VCCIB7	K9
VCCIB7	L10
VCCIB7	L9
VCCIB7	M10
VCCIB7	M9
VCCIB7	N10
VCCIB7	P10
VCCIB7	R10
VCOMPLA	F14
VCOMPLB	J15
VCOMPLC	F17
VCOMPLD	H16
VCOMPLE	AF17
VCOMPLF	AD16
VCOMPLG	AF14
VCOMPLH	AB15
VPUMP	G24

FG896	
AX2000 Function	Pin Number
Bank 0	
IO00NB0F0	B4
IO00PB0F0	A4
IO01NB0F0	F8
IO01PB0F0	F7
IO02NB0F0	D6
IO02PB0F0	E6
IO04NB0F0	A5
IO04PB0F0	B5
IO05NB0F0	H8
IO05PB0F0	G8
IO06NB0F0	D7
IO06PB0F0	E7
IO07NB0F0	D8
IO07PB0F0	E8
IO08NB0F0	C7
IO08PB0F0	C6
IO09NB0F0	G9
IO09PB0F0	H9
IO10NB0F0	A6
IO10PB0F0	B6
IO11NB0F0	H10
IO11PB0F0	G10
IO12NB0F1	E9
IO12PB0F1	F9
IO13NB0F1	E10
IO13PB0F1	F10
IO15NB0F1	F11
IO15PB0F1	G11
IO16NB0F1	A7
IO16PB0F1	B7
IO17NB0F1	D10
IO17PB0F1	D9
IO18NB0F1	C9
IO18PB0F1	C8

FG896	
AX2000 Function	Pin Number
IO19NB0F1	D11
IO19PB0F1	E11
IO20PB0F1	B8
IO21NB0F1	H12
IO21PB0F1	H11
IO23NB0F2	A10
IO23PB0F2	A9
IO25NB0F2	F12
IO25PB0F2	G12
IO26NB0F2	B11
IO26PB0F2	B10
IO27NB0F2	D12
IO27PB0F2	E12
IO28NB0F2	C12
IO28PB0F2	C11
IO30NB0F2	A12
IO30PB0F2	A11
IO31NB0F2	F13
IO31PB0F2	G13
IO33NB0F2	H13
IO33PB0F2	J13
IO34NB0F3	B13
IO34PB0F3	B12
IO37NB0F3	E14
IO37PB0F3	E13
IO38NB0F3	B14
IO38PB0F3	A14
IO39NB0F3	H14
IO39PB0F3	J14
IO40NB0F3	B15
IO40PB0F3	A15
IO41NB0F3/HCLKAN	C14
IO41PB0F3/HCLKAP	D14
IO42NB0F3/HCLKBN	E15
IO42PB0F3/HCLKBP	D15

FG896	
AX2000 Function	Pin Number
Bank 1	
IO43NB1F4/HCLKCN	E17
IO43PB1F4/HCLKCP	E16
IO44NB1F4/HCLKDN	C17
IO44PB1F4/HCLKDP	D17
IO45NB1F4	A16
IO45PB1F4	B16
IO47NB1F4	H17
IO47PB1F4	J17
IO48NB1F4	A17
IO48PB1F4	B17
IO49NB1F4	H18
IO49PB1F4	J18
IO51NB1F4	F18
IO51PB1F4	G18
IO52NB1F4	B18
IO53NB1F4	D18
IO53PB1F4	C18
IO55NB1F5	H19
IO55PB1F5	G19
IO56NB1F5	B19
IO56PB1F5	A19
IO57NB1F5	E20
IO57PB1F5	E19
IO58NB1F5	C20
IO58PB1F5	C19
IO59NB1F5	B20
IO59PB1F5	A20
IO61NB1F5	F20
IO61PB1F5	F19
IO62NB1F5	A22
IO62PB1F5	A21
IO63NB1F5	D21
IO63PB1F5	D20
IO65NB1F6	G20

FG896	
AX2000 Function	Pin Number
IO65PB1F6	H20
IO66NB1F6	B23
IO66PB1F6	B21
IO67NB1F6	H21
IO67PB1F6	G21
IO68NB1F6	D22
IO68PB1F6	C22
IO69NB1F6	A25
IO69PB1F6	A24
IO70NB1F6	F22
IO70PB1F6	E22
IO71NB1F6	F21
IO71PB1F6	E21
IO73NB1F6	C24
IO73PB1F6	C23
IO74NB1F6	D24
IO74PB1F6	D23
IO75NB1F6	H23
IO75PB1F6	H22
IO76NB1F7	B25
IO76PB1F7	B24
IO78NB1F7	B26
IO78PB1F7	A26
IO79NB1F7	F23
IO79PB1F7	E23
IO80NB1F7	D25
IO80PB1F7	C25
IO81NB1F7	G23
IO81PB1F7	G22
IO82NB1F7	B27
IO82PB1F7	A27
IO83NB1F7	F24
IO83PB1F7	E24
IO84NB1F7	D26
IO84PB1F7	C26

FG896	
AX2000 Function	Pin Number
IO85NB1F7	F25
IO85PB1F7	E25
Bank 2	
IO86NB2F8	G26
IO86PB2F8	G25
IO87NB2F8	K23
IO87PB2F8	J23
IO88NB2F8	J24
IO88PB2F8	H24
IO89NB2F8	E29
IO89PB2F8	D29
IO90NB2F8	F27
IO90PB2F8	E27
IO91NB2F8	H26
IO91PB2F8	H25
IO92NB2F8	G28
IO92PB2F8	F28
IO93NB2F8	J26
IO93PB2F8	J25
IO94NB2F8	H27
IO94PB2F8	G27
IO95NB2F8	H29
IO95PB2F8	G29
IO96NB2F9	G30
IO96PB2F9	F30
IO97NB2F9	K25
IO97PB2F9	K24
IO98NB2F9	J28
IO98PB2F9	H28
IO99NB2F9	L23
IO99PB2F9	L24
IO100NB2F9	K27
IO100PB2F9	J27
IO101PB2F9	J30
IO102NB2F9	E30

FG896	
AX2000 Function	Pin Number
IO102PB2F9	D30
IO103NB2F9	L26
IO103PB2F9	K26
IO104NB2F9	F29
IO105NB2F9	M25
IO105PB2F9	L25
IO106NB2F9	K30
IO106PB2F9	K29
IO107NB2F10	M23
IO107PB2F10	M24
IO109NB2F10	M27
IO109PB2F10	L27
IO110NB2F10	M28
IO110PB2F10	L28
IO111NB2F10	N22
IO111PB2F10	N23
IO112NB2F10	M29
IO112PB2F10	L29
IO113NB2F10	N26
IO113PB2F10	M26
IO114NB2F10	M30
IO114PB2F10	L30
IO115NB2F10	N28
IO115PB2F10	N27
IO117NB2F10	N25
IO117PB2F10	N24
IO118NB2F11	N29
IO119NB2F11	P22
IO119PB2F11	P23
IO121NB2F11	P25
IO121PB2F11	P24
IO122NB2F11	P28
IO122PB2F11	P27
IO123NB2F11	R26
IO123PB2F11	P26

FG896	
AX2000 Function	Pin Number
IO124NB2F11	P29
IO124PB2F11	P30
IO125NB2F11	R22
IO125PB2F11	R23
IO127NB2F11	R24
IO127PB2F11	R25
IO128NB2F11	R29
IO128PB2F11	R30
Bank 3	
IO129NB3F12	T27
IO129PB3F12	R27
IO130NB3F12	T29
IO130PB3F12	T30
IO131NB3F12	T22
IO131PB3F12	T23
IO132NB3F12	U26
IO132PB3F12	T26
IO133NB3F12	U24
IO133PB3F12	T24
IO135NB3F12	U23
IO135PB3F12	U22
IO136NB3F12	U29
IO136PB3F12	U30
IO137NB3F12	V28
IO137PB3F12	U28
IO138NB3F12	V27
IO138PB3F12	U27
IO139NB3F13	V25
IO139PB3F13	U25
IO141NB3F13	V23
IO141PB3F13	V22
IO142NB3F13	W29
IO142PB3F13	V29
IO143NB3F13	W26
IO143PB3F13	V26

FG896	
AX2000 Function	Pin Number
IO145NB3F13	W24
IO145PB3F13	V24
IO146NB3F13	W27
IO146PB3F13	W28
IO147NB3F13	Y28
IO147PB3F13	Y27
IO148NB3F13	Y30
IO148PB3F13	W30
IO149NB3F13	Y25
IO149PB3F13	W25
IO150NB3F14	AA29
IO150PB3F14	Y29
IO151NB3F14	AC29
IO152NB3F14	AA26
IO152PB3F14	Y26
IO153NB3F14	Y23
IO153PB3F14	W23
IO154NB3F14	AB30
IO154PB3F14	AA30
IO155NB3F14	AB27
IO155PB3F14	AA27
IO156NB3F14	AC28
IO156PB3F14	AB28
IO157NB3F14	AA24
IO157PB3F14	Y24
IO158NB3F14	AF29
IO158PB3F14	AF30
IO159NB3F14	AB25
IO159PB3F14	AA25
IO160NB3F14	AE30
IO160PB3F14	AD30
IO161NB3F15	AE29
IO161PB3F15	AD29
IO162NB3F15	AD27
IO162PB3F15	AC27

FG896	
AX2000 Function	Pin Number
IO163NB3F15	AC26
IO163PB3F15	AB26
IO164NB3F15	AE28
IO164PB3F15	AD28
IO165NB3F15	AC24
IO165PB3F15	AB24
IO166NB3F15	AG28
IO166PB3F15	AF28
IO167NB3F15	AE26
IO167PB3F15	AD26
IO168NB3F15	AD25
IO168PB3F15	AC25
IO169NB3F15	AF27
IO169PB3F15	AE27
IO170NB3F15	AB23
IO170PB3F15	AA23
Bank 4	
IO171NB4F16	AG29
IO171PB4F16	AG30
IO172NB4F16	AF24
IO172PB4F16	AF25
IO173NB4F16	AG25
IO173PB4F16	AG26
IO174NB4F16	AJ25
IO174PB4F16	AJ26
IO175NB4F16	AK26
IO175PB4F16	AK27
IO176NB4F16	AE23
IO176PB4F16	AE24
IO177NB4F16	AH24
IO177PB4F16	AH25
IO178NB4F16	AD23
IO178PB4F16	AC23
IO179PB4F16	AJ27
IO180NB4F16	AG23

FG896	
AX2000 Function	Pin Number
IO180PB4F16	AG24
IO181NB4F17	AK24
IO181PB4F17	AK25
IO182NB4F17	AD22
IO182PB4F17	AC22
IO183NB4F17	AF22
IO183PB4F17	AF23
IO184NB4F17	AE21
IO184PB4F17	AE22
IO185NB4F17	AJ23
IO185PB4F17	AJ24
IO187NB4F17	AH22
IO187PB4F17	AH23
IO188NB4F17	AD21
IO188PB4F17	AC21
IO189PB4F17	AK22
IO190NB4F17	AF20
IO190PB4F17	AF21
IO191NB4F17	AG21
IO191PB4F17	AG22
IO192NB4F17	AE19
IO192PB4F17	AE20
IO195NB4F18	AK21
IO195PB4F18	AJ21
IO196NB4F18	AD19
IO196PB4F18	AD20
IO197NB4F18	AJ20
IO197PB4F18	AK20
IO198NB4F18	AC19
IO198PB4F18	AC20
IO199NB4F18	AG19
IO199PB4F18	AG20
IO200NB4F18	AH19
IO200PB4F18	AH20
IO201NB4F18	AK19

FG896	
AX2000 Function	Pin Number
IO201PB4F18	AJ19
IO202NB4F18	AC18
IO202PB4F18	AB18
IO206NB4F19	AE18
IO206PB4F19	AD18
IO207NB4F19	AJ17
IO207PB4F19	AJ18
IO208NB4F19	AE17
IO208PB4F19	AD17
IO209NB4F19	AK17
IO210NB4F19	AC17
IO210PB4F19	AB17
IO211NB4F19	AJ16
IO211PB4F19	AK16
IO212NB4F19/CLKEN	AG18
IO212PB4F19/CLKEP	AH18
IO213NB4F19/CLKFN	AG16
IO213PB4F19/CLKFP	AG17
Bank 5	
IO214NB5F20/CLKGN	AG14
IO214PB5F20/CLKGP	AG15
IO215NB5F20/CLKHN	AG13
IO215PB5F20/CLKHP	AH13
IO216NB5F20	AB14
IO216PB5F20	AC15
IO217NB5F20	AK15
IO217PB5F20	AJ15
IO218NB5F20	AE14
IO218PB5F20	AD14
IO219NB5F20	AK14
IO219PB5F20	AJ14
IO222NB5F20	AB13
IO222PB5F20	AC14
IO223NB5F21	AJ12
IO223PB5F21	AJ13

FG896	
AX2000 Function	Pin Number
IO225NB5F21	AH11
IO225PB5F21	AH12
IO226NB5F21	AC13
IO226PB5F21	AD13
IO227NB5F21	AE12
IO227PB5F21	AE13
IO228NB5F21	AG11
IO228PB5F21	AG12
IO229NB5F21	AK11
IO229PB5F21	AK12
IO230NB5F21	AC12
IO230PB5F21	AD12
IO232NB5F21	AE11
IO232PB5F21	AF11
IO233NB5F21	AJ10
IO233PB5F21	AJ11
IO234NB5F21	AC11
IO234PB5F21	AD11
IO236NB5F22	AK9
IO236PB5F22	AK10
IO237NB5F22	AG9
IO237PB5F22	AG10
IO238NB5F22	AF9
IO238PB5F22	AF10
IO239NB5F22	AH8
IO239PB5F22	AH9
IO240NB5F22	AC10
IO240PB5F22	AD10
IO242NB5F22	AE9
IO242PB5F22	AE10
IO243NB5F22	AJ7
IO243PB5F22	AJ8
IO244NB5F22	AK6
IO244PB5F22	AK7
IO245NB5F23	AF8

FG896		FG896		FG896	
AX2000 Function	Pin Number	AX2000 Function	Pin Number	AX2000 Function	Pin Number
IO245PB5F23	AG8	IO263NB6F24	AD3	IO281PB6F26	Y2
IO246NB5F23	AD8	IO263PB6F24	AE3	IO282NB6F26	V5
IO246PB5F23	AD9	IO264NB6F24	AB6	IO282PB6F26	W5
IO247NB5F23	AG7	IO264PB6F24	AC6	IO284NB6F26	V7
IO247PB5F23	AH7	IO265NB6F24	AD1	IO284PB6F26	V6
IO248NB5F23	AK5	IO265PB6F24	AE1	IO285NB6F26	W3
IO249NB5F23	AJ5	IO266NB6F24	AA8	IO285PB6F26	W4
IO249PB5F23	AJ6	IO266PB6F24	AB8	IO286NB6F26	U8
IO250NB5F23	AC8	IO267NB6F25	AB5	IO286PB6F26	U9
IO250PB5F23	AC9	IO267PB6F25	AC5	IO287NB6F26	W1
IO251NB5F23	AH6	IO268NB6F25	AB3	IO287PB6F26	W2
IO251PB5F23	AG6	IO268PB6F25	AC3	IO288NB6F26	U7
IO252NB5F23	AF6	IO269NB6F25	AC2	IO288PB6F26	U6
IO252PB5F23	AF7	IO269PB6F25	AD2	IO290NB6F27	U4
IO253NB5F23	AG2	IO270NB6F25	Y7	IO290PB6F27	V4
IO253PB5F23	AG1	IO270PB6F25	AA7	IO291NB6F27	U3
IO254NB5F23	AE7	IO271NB6F25	AA4	IO291PB6F27	V3
IO254PB5F23	AE8	IO271PB6F25	AB4	IO292NB6F27	T5
IO255NB5F23	AG5	IO272NB6F25	Y6	IO292PB6F27	U5
IO255PB5F23	AH5	IO272PB6F25	AA6	IO293NB6F27	U2
IO256NB5F23	AJ4	IO273NB6F25	AB1*	IO293PB6F27	V2
IO256PB5F23	AK4	IO273PB6F25	AE2*	IO294NB6F27	T8
Bank 6		IO274NB6F25	W8	IO294PB6F27	T9
IO257NB6F24	AE4	IO274PB6F25	Y8	IO296NB6F27	T1
IO257PB6F24	AF4	IO275NB6F25	Y5	IO296PB6F27	U1
IO258NB6F24	AB7	IO275PB6F25	AA5	IO298NB6F27	T7
IO258PB6F24	AC7	IO277NB6F25	AA2	IO298PB6F27	T6
IO259NB6F24	AD5	IO277PB6F25	AA1	IO299NB6F27	R2
IO259PB6F24	AE5	IO278NB6F26	W6	IO299PB6F27	T2
IO260NB6F24	AF1	IO278PB6F26	W7	Bank 7	
IO260PB6F24	AF2	IO279NB6F26	Y3	IO300NB7F28	R8
IO261NB6F24	AF3	IO279PB6F26	Y4	IO300PB7F28	R9
IO261PB6F24	AG3	IO280NB6F26	V8	IO302NB7F28	R4
IO262NB6F24	AC4	IO280PB6F26	V9	IO302PB7F28	R5
IO262PB6F24	AD4	IO281NB6F26	Y1	IO303NB7F28	P1

FG896	
AX2000 Function	Pin Number
IO303PB7F28	R1
IO304NB7F28	R7
IO304PB7F28	R6
IO306NB7F28	N2
IO306PB7F28	P2
IO307NB7F28	N3
IO307PB7F28	P3
IO308NB7F28	P9
IO308PB7F28	P8
IO309NB7F28	P4
IO309PB7F28	P5
IO310NB7F29	P7
IO310PB7F29	P6
IO311NB7F29	L1
IO311PB7F29	M1
IO312NB7F29	M5
IO312PB7F29	N5
IO313NB7F29	M4
IO313PB7F29	N4
IO315NB7F29	L2
IO315PB7F29	M2
IO316NB7F29	N7
IO316PB7F29	N6
IO317NB7F29	L3
IO317PB7F29	M3
IO318NB7F29	N8
IO318PB7F29	N9
IO320NB7F29	L6
IO320PB7F29	M6
IO321NB7F30	K4
IO321PB7F30	L4
IO322NB7F30	M8
IO322PB7F30	M7
IO323NB7F30	J1
IO323PB7F30	K1

FG896	
AX2000 Function	Pin Number
IO324NB7F30	K5
IO324PB7F30	L5
IO326NB7F30	G1*
IO326PB7F30	K2*
IO327NB7F30	J4
IO327PB7F30	J3
IO328NB7F30	L8
IO328PB7F30	L7
IO329NB7F30	G2
IO329PB7F30	H2
IO330NB7F30	G3
IO330PB7F30	H3
IO331NB7F30	K8
IO331PB7F30	K7
IO332NB7F31	J6
IO332PB7F31	K6
IO333NB7F31	D1
IO333PB7F31	D2
IO334NB7F31	G4
IO334PB7F31	H4
IO335NB7F31	F2
IO335PB7F31	F1
IO336NB7F31	H5
IO336PB7F31	J5
IO337NB7F31	E2
IO337PB7F31	E1
IO338NB7F31	H7
IO338PB7F31	J7
IO339NB7F31	F4
IO339PB7F31	F3
IO340NB7F31	F5
IO340PB7F31	G5
IO341NB7F31	G6
IO341PB7F31	H6
Dedicated I/O	

FG896	
AX2000 Function	Pin Number
GND	A13
GND	A18
GND	A2
GND	A23
GND	A29
GND	A8
GND	AA10
GND	AA21
GND	AA28
GND	AA3
GND	AB2
GND	AB22
GND	AB29
GND	AB9
GND	AC1
GND	AC30
GND	AE25
GND	AE6
GND	AF26
GND	AF5
GND	AG27
GND	AG4
GND	AH10
GND	AH15
GND	AH16
GND	AH21
GND	AH28
GND	AH3
GND	AJ1
GND	AJ2
GND	AJ22
GND	AJ29
GND	AJ30
GND	AJ9
GND	AK13

FG896	
AX2000 Function	Pin Number
GND	AK18
GND	AK2
GND	AK23
GND	AK29
GND	AK8
GND	B1
GND	B2
GND	B22
GND	B29
GND	B30
GND	B9
GND	C10
GND	C15
GND	C16
GND	C21
GND	C28
GND	C3
GND	D27
GND	D28
GND	D4
GND	E26
GND	E5
GND	H1
GND	H30
GND	J2
GND	J22
GND	J29
GND	J9
GND	K10
GND	K21
GND	K28
GND	K3
GND	L11
GND	L20
GND	M12

FG896	
AX2000 Function	Pin Number
GND	M13
GND	M14
GND	M15
GND	M16
GND	M17
GND	M18
GND	M19
GND	N1
GND	N12
GND	N13
GND	N14
GND	N15
GND	N16
GND	N17
GND	N18
GND	N19
GND	N30
GND	P12
GND	P13
GND	P14
GND	P15
GND	P16
GND	P17
GND	P18
GND	P19
GND	R12
GND	R13
GND	R14
GND	R15
GND	R16
GND	R17
GND	R18
GND	R19
GND	R28
GND	R3

FG896	
AX2000 Function	Pin Number
GND	T12
GND	T13
GND	T14
GND	T15
GND	T16
GND	T17
GND	T18
GND	T19
GND	T28
GND	T3
GND	U12
GND	U13
GND	U14
GND	U15
GND	U16
GND	U17
GND	U18
GND	U19
GND	V1
GND	V12
GND	V13
GND	V14
GND	V15
GND	V16
GND	V17
GND	V18
GND	V19
GND	V30
GND	W12
GND	W13
GND	W14
GND	W15
GND	W16
GND	W17
GND	W18

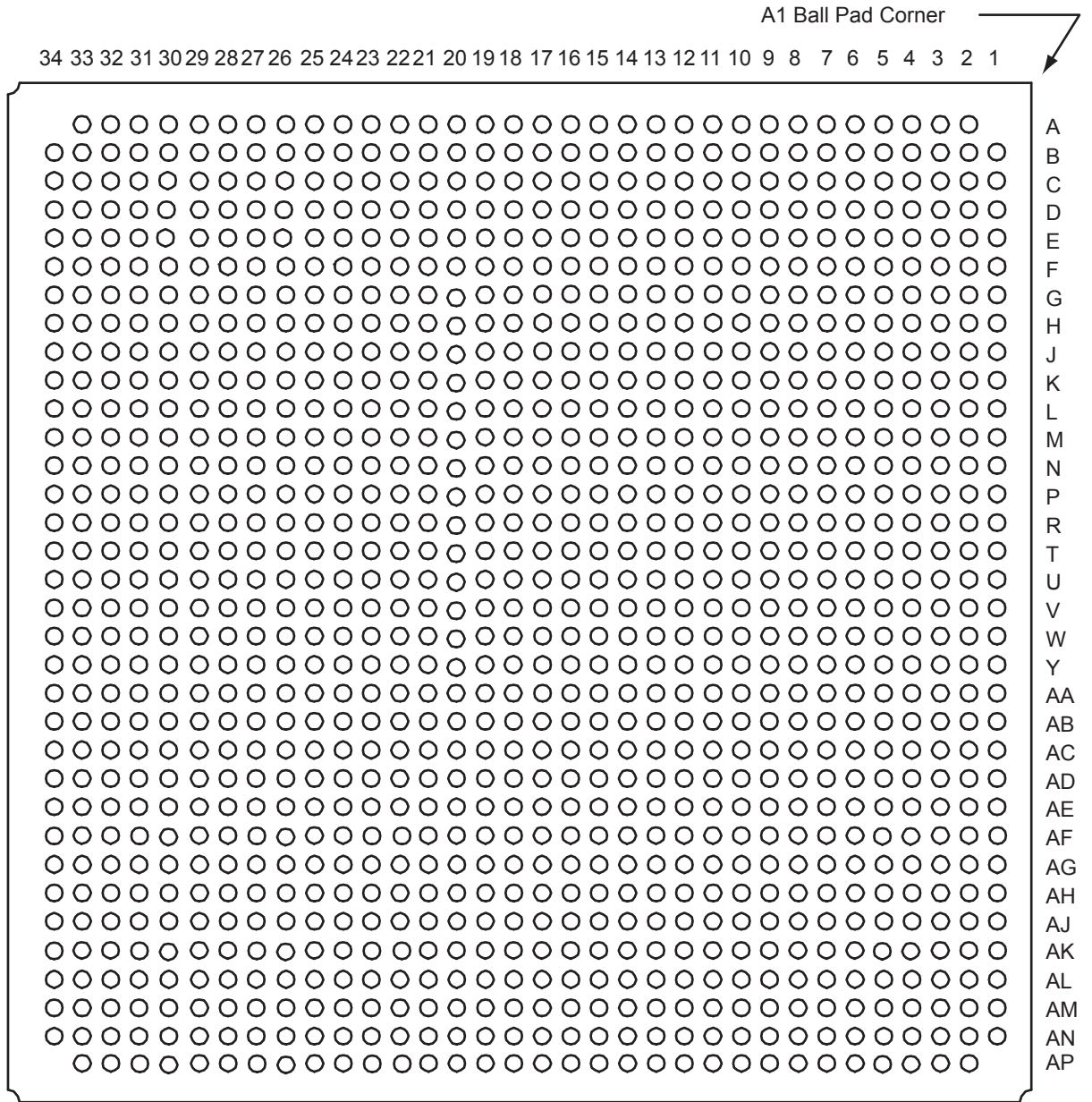
FG896		FG896		FG896	
AX2000 Function	Pin Number	AX2000 Function	Pin Number	AX2000 Function	Pin Number
GND	W19	VCCA	U11	VCCDA	G16
GND	Y11	VCCA	U20	VCCDA	T25
GND	Y20	VCCA	V11	VCCDA	T4
GND/LP	E4	VCCA	V20	VCCIB0	A3
PRA	G15	VCCA	W11	VCCIB0	B3
PRB	D16	VCCA	W20	VCCIB0	J10
PRC	AB16	VCCA	Y12	VCCIB0	J11
PRD	AF16	VCCA	Y13	VCCIB0	J12
TCK	G7	VCCA	Y14	VCCIB0	K11
TDI	D5	VCCA	Y15	VCCIB0	K12
TDO	J8	VCCA	Y16	VCCIB0	K13
TMS	F6	VCCA	Y17	VCCIB0	K14
TRST	C4	VCCA	Y18	VCCIB0	K15
VCCA	AD6	VCCA	Y19	VCCIB1	A28
VCCA	AH26	VCCDA	AD24	VCCIB1	B28
VCCA	E28	VCCDA	AD7	VCCIB1	J19
VCCA	E3	VCCDA	AE15	VCCIB1	J20
VCCA	L12	VCCDA	AE16	VCCIB1	J21
VCCA	L13	VCCDA	AF12	VCCIB1	K16
VCCA	L14	VCCDA	AF13	VCCIB1	K17
VCCA	L15	VCCDA	AF15	VCCIB1	K18
VCCA	L16	VCCDA	AF18	VCCIB1	K19
VCCA	L17	VCCDA	AF19	VCCIB1	K20
VCCA	L18	VCCDA	AH27	VCCIB2	C29
VCCA	L19	VCCDA	AH4	VCCIB2	C30
VCCA	M11	VCCDA	C13	VCCIB2	K22
VCCA	M20	VCCDA	C27	VCCIB2	L21
VCCA	N11	VCCDA	C5	VCCIB2	L22
VCCA	N20	VCCDA	D13	VCCIB2	M21
VCCA	P11	VCCDA	D19	VCCIB2	M22
VCCA	P20	VCCDA	D3	VCCIB2	N21
VCCA	R11	VCCDA	E18	VCCIB2	P21
VCCA	R20	VCCDA	F15	VCCIB2	R21
VCCA	T11	VCCDA	F16	VCCIB3	AA22
VCCA	T20	VCCDA	F26	VCCIB3	AH29

Note: *Not routed on the same package layer and to adjacent LGA pads as its differential pair complement. Recommended to be used as a single-ended I/O.

FG896	
AX2000 Function	Pin Number
VCCIB3	AH30
VCCIB3	T21
VCCIB3	U21
VCCIB3	V21
VCCIB3	W21
VCCIB3	W22
VCCIB3	Y21
VCCIB3	Y22
VCCIB4	AA16
VCCIB4	AA17
VCCIB4	AA18
VCCIB4	AA19
VCCIB4	AA20
VCCIB4	AB19
VCCIB4	AB20
VCCIB4	AB21
VCCIB4	AJ28
VCCIB4	AK28
VCCIB5	AA11
VCCIB5	AA12
VCCIB5	AA13
VCCIB5	AA14
VCCIB5	AA15
VCCIB5	AB10
VCCIB5	AB11
VCCIB5	AB12
VCCIB5	AJ3
VCCIB5	AK3
VCCIB6	AA9
VCCIB6	AH1
VCCIB6	AH2
VCCIB6	T10
VCCIB6	U10
VCCIB6	V10
VCCIB6	W10

FG896	
AX2000 Function	Pin Number
VCCIB6	W9
VCCIB6	Y10
VCCIB6	Y9
VCCIB7	C1
VCCIB7	C2
VCCIB7	K9
VCCIB7	L10
VCCIB7	L9
VCCIB7	M10
VCCIB7	M9
VCCIB7	N10
VCCIB7	P10
VCCIB7	R10
VCCPLA	G14
VCCPLB	H15
VCCPLC	G17
VCCPLD	J16
VCCPLE	AH17
VCCPLF	AC16
VCCPLG	AH14
VCCPLH	AD15
VCOMPLA	F14
VCOMPLB	J15
VCOMPLC	F17
VCOMPLD	H16
VCOMPLE	AF17
VCOMPLF	AD16
VCOMPLG	AF14
VCOMPLH	AB15
VPUMP	G24

FG1152



Note

For Package Manufacturing and Environmental information, visit Resource center at <http://www.microsemi.com/soc/products/rescenter/package/index.html>.

FG1152	
AX2000 Function	Pin Number
Bank 0	
IO00NB0F0	D6
IO00PB0F0	C6
IO01NB0F0	H10
IO01PB0F0	H9
IO02NB0F0	F8
IO02PB0F0	G8
IO03NB0F0	A6
IO03PB0F0	B6
IO04NB0F0	C7
IO04PB0F0	D7
IO05NB0F0	K10
IO05PB0F0	J10
IO06NB0F0	F9
IO06PB0F0	G9
IO07NB0F0	F10
IO07PB0F0	G10
IO08NB0F0	E9
IO08PB0F0	E8
IO09NB0F0	J11
IO09PB0F0	K11
IO10NB0F0	C8
IO10PB0F0	D8
IO11NB0F0	K12
IO11PB0F0	J12
IO12NB0F1	G11
IO12PB0F1	H11
IO13NB0F1	G12
IO13PB0F1	H12
IO14NB0F1	A7
IO14PB0F1	B7
IO15NB0F1	H13
IO15PB0F1	J13
IO16NB0F1	C9
IO16PB0F1	D9

FG1152	
AX2000 Function	Pin Number
IO17NB0F1	F12
IO17PB0F1	F11
IO18NB0F1	E11
IO18PB0F1	E10
IO19NB0F1	F13
IO19PB0F1	G13
IO20NB0F1	A10
IO20PB0F1	A9
IO21NB0F1	K14
IO21PB0F1	K13
IO22NB0F2	B11
IO22PB0F2	B10
IO23NB0F2	C12
IO23PB0F2	C11
IO24NB0F2	A12
IO24PB0F2	A11
IO25NB0F2	H14
IO25PB0F2	J14
IO26NB0F2	D13
IO26PB0F2	D12
IO27NB0F2	F14
IO27PB0F2	G14
IO28NB0F2	E14
IO28PB0F2	E13
IO29NB0F2	B13
IO29PB0F2	B12
IO30NB0F2	C14
IO30PB0F2	C13
IO31NB0F2	H15
IO31PB0F2	J15
IO32NB0F2	A14
IO32PB0F2	B14
IO33NB0F2	K15
IO33PB0F2	L15
IO34NB0F3	D15

FG1152	
AX2000 Function	Pin Number
IO34PB0F3	D14
IO35NB0F3	A15
IO35PB0F3	B15
IO36NB0F3	B16
IO36PB0F3	A16
IO37NB0F3	G16
IO37PB0F3	G15
IO38NB0F3	D16
IO38PB0F3	C16
IO39NB0F3	K16
IO39PB0F3	L16
IO40NB0F3	D17
IO40PB0F3	C17
Bank 1	
IO41NB0F3/HCLKAN	E16
IO41PB0F3/HCLKAP	F16
IO42NB0F3/HCLKBN	G17
IO42PB0F3/HCLKBP	F17
IO43NB1F4/HCLKCN	G19
IO43PB1F4/HCLKCP	G18
IO44NB1F4/HCLKDN	E19
IO44PB1F4/HCLKDP	F19
IO45NB1F4	C18
IO45PB1F4	D18
IO46NB1F4	A18
IO46PB1F4	B18
IO47NB1F4	K19
IO47PB1F4	L19
IO48NB1F4	C19
IO48PB1F4	D19
IO49NB1F4	K20
IO49PB1F4	L20
IO50NB1F4	A19
IO50PB1F4	B19
IO51NB1F4	H20

FG1152	
AX2000 Function	Pin Number
IO51PB1F4	J20
IO52NB1F4	B20
IO52PB1F4	A20
IO53NB1F4	F20
IO53PB1F4	E20
IO54NB1F5	B21
IO54PB1F5	A21
IO55NB1F5	K21
IO55PB1F5	J21
IO56NB1F5	D21
IO56PB1F5	C21
IO57NB1F5	G22
IO57PB1F5	G21
IO58NB1F5	E22
IO58PB1F5	E21
IO59NB1F5	D22
IO59PB1F5	C22
IO60NB1F5	B23
IO60PB1F5	A23
IO61NB1F5	H22
IO61PB1F5	H21
IO62NB1F5	C24
IO62PB1F5	C23
IO63NB1F5	F23
IO63PB1F5	F22
IO64NB1F6	B24
IO64PB1F6	A24
IO65NB1F6	J22
IO65PB1F6	K22
IO66NB1F6	B25
IO66PB1F6	A25
IO67NB1F6	K23
IO67PB1F6	J23
IO68NB1F6	F24
IO68PB1F6	E24

FG1152	
AX2000 Function	Pin Number
IO69NB1F6	C27
IO69PB1F6	C26
IO70NB1F6	H24
IO70PB1F6	G24
IO71NB1F6	H23
IO71PB1F6	G23
IO72NB1F6	B28
IO72PB1F6	A28
IO73NB1F6	E26
IO73PB1F6	E25
IO74NB1F6	F26
IO74PB1F6	F25
IO75NB1F6	K25
IO75PB1F6	K24
IO76NB1F7	D27
IO76PB1F7	D26
IO77NB1F7	B29
IO77PB1F7	A29
IO78NB1F7	D28
IO78PB1F7	C28
IO79NB1F7	H25
IO79PB1F7	G25
IO80NB1F7	F27
IO80PB1F7	E27
IO81NB1F7	J25
IO81PB1F7	J24
IO82NB1F7	D29
IO82PB1F7	C29
IO83NB1F7	H26
IO83PB1F7	G26
IO84NB1F7	F28
IO84PB1F7	E28
IO85NB1F7	H27
IO85PB1F7	G27
Bank 2	

FG1152	
AX2000 Function	Pin Number
IO86NB2F8	J28
IO86PB2F8	J27
IO87NB2F8	M25
IO87PB2F8	L25
IO88NB2F8	L26
IO88PB2F8	K26
IO89NB2F8	G31
IO89PB2F8	F31
IO90NB2F8	H29
IO90PB2F8	G29
IO91NB2F8	K28
IO91PB2F8	K27
IO92NB2F8	J30
IO92PB2F8	H30
IO93NB2F8	L28
IO93PB2F8	L27
IO94NB2F8	K29
IO94PB2F8	J29
IO95NB2F8	K31
IO95PB2F8	J31
IO96NB2F9	J32
IO96PB2F9	H32
IO97NB2F9	M27
IO97PB2F9	M26
IO98NB2F9	L30
IO98PB2F9	K30
IO99NB2F9	N25
IO99PB2F9	N26
IO100NB2F9	M29
IO100PB2F9	L29
IO101NB2F9	L33
IO101PB2F9	L32
IO102NB2F9	K34
IO102PB2F9	K33
IO103NB2F9	N28

FG1152		FG1152		FG1152	
AX2000 Function	Pin Number	AX2000 Function	Pin Number	AX2000 Function	Pin Number
IO103PB2F9	M28	IO121NB2F11	T27	IO138NB3F12	Y29
IO104NB2F9	M34	IO121PB2F11	T26	IO138PB3F12	W29
IO104PB2F9	L34	IO122NB2F11	T30	IO139NB3F13	Y27
IO105NB2F9	P27	IO122PB2F11	T29	IO139PB3F13	W27
IO105PB2F9	N27	IO123NB2F11	U28	IO140NB3F13	AA33
IO106NB2F9	M32	IO123PB2F11	T28	IO140PB3F13	Y33
IO106PB2F9	M31	IO124NB2F11	T31	IO141NB3F13	Y25
IO107NB2F10	P25	IO124PB2F11	T32	IO141PB3F13	Y24
IO107PB2F10	P26	IO125NB2F11	U24	IO142NB3F13	AA31
IO108NB2F10	N33	IO125PB2F11	U25	IO142PB3F13	Y31
IO108PB2F10	M33	IO126NB2F11	U33	IO143NB3F13	AA28
IO109NB2F10	P29	IO126PB2F11	U34	IO143PB3F13	Y28
IO109PB2F10	N29	IO127NB2F11	U26	IO144NB3F13	AA34
IO110NB2F10	P30	IO127PB2F11	U27	IO144PB3F13	Y34
IO110PB2F10	N30	IO128NB2F11	U31	IO145NB3F13	AA26
IO111NB2F10	R24	IO128PB2F11	U32	IO145PB3F13	Y26
IO111PB2F10	R25	Bank 3		IO146NB3F13	AA29
IO112NB2F10	P31	IO129NB3F12	V29	IO146PB3F13	AA30
IO112PB2F10	N31	IO129PB3F12	U29	IO147NB3F13	AB30
IO113NB2F10	R28	IO130NB3F12	V31	IO147PB3F13	AB29
IO113PB2F10	P28	IO130PB3F12	V32	IO148NB3F13	AB32
IO114NB2F10	P32	IO131NB3F12	V24	IO148PB3F13	AA32
IO114PB2F10	N32	IO131PB3F12	V25	IO149NB3F13	AB27
IO115NB2F10	R30	IO132NB3F12	W28	IO149PB3F13	AA27
IO115PB2F10	R29	IO132PB3F12	V28	IO150NB3F14	AC31
IO116NB2F10	P34	IO133NB3F12	W26	IO150PB3F14	AB31
IO116PB2F10	P33	IO133PB3F12	V26	IO151NB3F14	AD33
IO117NB2F10	R27	IO134NB3F12	W33	IO151PB3F14	AC33
IO117PB2F10	R26	IO134PB3F12	V33	IO152NB3F14	AC28
IO118NB2F11	R34	IO135NB3F12	W25	IO152PB3F14	AB28
IO118PB2F11	R33	IO135PB3F12	W24	IO153NB3F14	AB25
IO119NB2F11	T24	IO136NB3F12	W31	IO153PB3F14	AA25
IO119PB2F11	T25	IO136PB3F12	W32	IO154NB3F14	AD32
IO120NB2F11	T33	IO137NB3F12	Y30	IO154PB3F14	AC32
IO120PB2F11	T34	IO137PB3F12	W30	IO155NB3F14	AD29

FG1152	
AX2000 Function	Pin Number
IO155PB3F14	AC29
IO156NB3F14	AE30
IO156PB3F14	AD30
IO157NB3F14	AC26
IO157PB3F14	AB26
IO158NB3F14	AH33
IO158PB3F14	AG33
IO159NB3F14	AD27
IO159PB3F14	AC27
IO160NB3F14	AG32
IO160PB3F14	AF32
IO161NB3F15	AG31
IO161PB3F15	AF31
IO162NB3F15	AF29
IO162PB3F15	AE29
IO163NB3F15	AE28
IO163PB3F15	AD28
IO164NB3F15	AG30
IO164PB3F15	AF30
IO165NB3F15	AE26
IO165PB3F15	AD26
IO166NB3F15	AJ30
IO166PB3F15	AH30
IO167NB3F15	AG28
IO167PB3F15	AF28
IO168NB3F15	AF27
IO168PB3F15	AE27
IO169NB3F15	AH29
IO169PB3F15	AG29
IO170NB3F15	AD25
IO170PB3F15	AC25
Bank 4	
IO171NB4F16	AP29
IO171PB4F16	AN29
IO172NB4F16	AH26

FG1152	
AX2000 Function	Pin Number
IO172PB4F16	AH27
IO173NB4F16	AJ27
IO173PB4F16	AJ28
IO174NB4F16	AL27
IO174PB4F16	AL28
IO175NB4F16	AM28
IO175PB4F16	AM29
IO176NB4F16	AG25
IO176PB4F16	AG26
IO177NB4F16	AK26
IO177PB4F16	AK27
IO178NB4F16	AF25
IO178PB4F16	AE25
IO179NB4F16	AP28
IO179PB4F16	AN28
IO180NB4F16	AJ25
IO180PB4F16	AJ26
IO181NB4F17	AM26
IO181PB4F17	AM27
IO182NB4F17	AF24
IO182PB4F17	AE24
IO183NB4F17	AH24
IO183PB4F17	AH25
IO184NB4F17	AG23
IO184PB4F17	AG24
IO185NB4F17	AL25
IO185PB4F17	AL26
IO186NB4F17	AP25
IO186PB4F17	AP26
IO187NB4F17	AK24
IO187PB4F17	AK25
IO188NB4F17	AF23
IO188PB4F17	AE23
IO189NB4F17	AN24
IO189PB4F17	AM24

FG1152	
AX2000 Function	Pin Number
IO190NB4F17	AH22
IO190PB4F17	AH23
IO191NB4F17	AJ23
IO191PB4F17	AJ24
IO192NB4F17	AG21
IO192PB4F17	AG22
IO193NB4F18	AP23
IO193PB4F18	AP24
IO194NB4F18	AN22
IO194PB4F18	AN23
IO195NB4F18	AM23
IO195PB4F18	AL23
IO196NB4F18	AF21
IO196PB4F18	AF22
IO197NB4F18	AL22
IO197PB4F18	AM22
IO198NB4F18	AE21
IO198PB4F18	AE22
IO199NB4F18	AJ21
IO199PB4F18	AJ22
IO200NB4F18	AK21
IO200PB4F18	AK22
IO201NB4F18	AM21
IO201PB4F18	AL21
IO202NB4F18	AE20
IO202PB4F18	AD20
IO203NB4F19	AN21
IO203PB4F19	AP21
IO204NB4F19	AP20
IO204PB4F19	AN20
IO205NB4F19	AN19
IO205PB4F19	AP19
IO206NB4F19	AG20
IO206PB4F19	AF20
IO207NB4F19	AL19

FG1152		FG1152		FG1152	
AX2000 Function	Pin Number	AX2000 Function	Pin Number	AX2000 Function	Pin Number
IO207PB4F19	AL20	IO224PB5F21	AP14	IO242NB5F22	AG11
IO208NB4F19	AG19	IO225NB5F21	AK13	IO242PB5F22	AG12
IO208PB4F19	AF19	IO225PB5F21	AK14	IO243NB5F22	AL9
IO209NB4F19	AN18	IO226NB5F21	AE15	IO243PB5F22	AL10
IO209PB4F19	AP18	IO226PB5F21	AF15	IO244NB5F22	AM8
IO210NB4F19	AE19	IO227NB5F21	AG14	IO244PB5F22	AM9
IO210PB4F19	AD19	IO227PB5F21	AG15	IO245NB5F23	AH10
IO211NB4F19	AL18	IO228NB5F21	AJ13	IO245PB5F23	AJ10
IO211PB4F19	AM18	IO228PB5F21	AJ14	IO246NB5F23	AF10
IO212NB4F19/CLKEN	AJ20	IO229NB5F21	AM13	IO246PB5F23	AF11
IO212PB4F19/CLKEP	AK20	IO229PB5F21	AM14	IO247NB5F23	AJ9
IO213NB4F19/CLKFN	AJ18	IO230NB5F21	AE14	IO247PB5F23	AK9
IO213PB4F19/CLKFP	AJ19	IO230PB5F21	AF14	IO248NB5F23	AN7
Bank 5		IO231NB5F21	AN12	IO248PB5F23	AP7
IO214NB5F20/CLKGN	AJ16	IO231PB5F21	AP12	IO249NB5F23	AL7
IO214PB5F20/CLKGP	AJ17	IO232NB5F21	AG13	IO249PB5F23	AL8
IO215NB5F20/CLKHN	AJ15	IO232PB5F21	AH13	IO250NB5F23	AE10
IO215PB5F20/CLKHP	AK15	IO233NB5F21	AL12	IO250PB5F23	AE11
IO216NB5F20	AD16	IO233PB5F21	AL13	IO251NB5F23	AK8
IO216PB5F20	AE17	IO234NB5F21	AE13	IO251PB5F23	AJ8
IO217NB5F20	AM17	IO234PB5F21	AF13	IO252NB5F23	AH8
IO217PB5F20	AL17	IO235NB5F22	AN11	IO252PB5F23	AH9
IO218NB5F20	AG16	IO235PB5F22	AP11	IO253NB5F23	AN6
IO218PB5F20	AF16	IO236NB5F22	AM11	IO253PB5F23	AP6
IO219NB5F20	AM16	IO236PB5F22	AM12	IO254NB5F23	AG9
IO219PB5F20	AL16	IO237NB5F22	AJ11	IO254PB5F23	AG10
IO220NB5F20	AP16	IO237PB5F22	AJ12	IO255NB5F23	AJ7
IO220PB5F20	AN16	IO238NB5F22	AH11	IO255PB5F23	AK7
IO221NB5F20	AN15	IO238PB5F22	AH12	IO256NB5F23	AL6
IO221PB5F20	AP15	IO239NB5F22	AK10	IO256PB5F23	AM6
IO222NB5F20	AD15	IO239PB5F22	AK11	Bank 6	
IO222PB5F20	AE16	IO240NB5F22	AE12	IO257NB6F24	AG6
IO223NB5F21	AL14	IO240PB5F22	AF12	IO257PB6F24	AH6
IO223PB5F21	AL15	IO241NB5F22	AN10	IO258NB6F24	AD9
IO224NB5F21	AN14	IO241PB5F22	AP10	IO258PB6F24	AE9

FG1152	
AX2000 Function	Pin Number
IO259NB6F24	AF7
IO259PB6F24	AG7
IO260NB6F24	AH3
IO260PB6F24	AH4
IO261NB6F24	AH5
IO261PB6F24	AJ5
IO262NB6F24	AE6
IO262PB6F24	AF6
IO263NB6F24	AF5
IO263PB6F24	AG5
IO264NB6F24	AD8
IO264PB6F24	AE8
IO265NB6F24	AF3
IO265PB6F24	AG3
IO266NB6F24	AC10
IO266PB6F24	AD10
IO267NB6F25	AD7
IO267PB6F25	AE7
IO268NB6F25	AD5
IO268PB6F25	AE5
IO269NB6F25	AE4
IO269PB6F25	AF4
IO270NB6F25	AB9
IO270PB6F25	AC9
IO271NB6F25	AC6
IO271PB6F25	AD6
IO272NB6F25	AB8
IO272PB6F25	AC8
IO273NB6F25	AE1
IO273PB6F25	AE2
IO274NB6F25	AA10
IO274PB6F25	AB10
IO275NB6F25	AB7
IO275PB6F25	AC7
IO276NB6F25	AD1

FG1152	
AX2000 Function	Pin Number
IO276PB6F25	AD2
IO277NB6F25	AC4
IO277PB6F25	AC3
IO278NB6F26	AA8
IO278PB6F26	AA9
IO279NB6F26	AB5
IO279PB6F26	AB6
IO280NB6F26	Y10
IO280PB6F26	Y11
IO281NB6F26	AB3
IO281PB6F26	AB4
IO282NB6F26	Y7
IO282PB6F26	AA7
IO283NB6F26	AC2
IO283PB6F26	AC1
IO284NB6F26	Y9
IO284PB6F26	Y8
IO285NB6F26	AA5
IO285PB6F26	AA6
IO286NB6F26	W10
IO286PB6F26	W11
IO287NB6F26	AA3
IO287PB6F26	AA4
IO288NB6F26	W9
IO288PB6F26	W8
IO289NB6F27	AA1
IO289PB6F27	AA2
IO290NB6F27	W6
IO290PB6F27	Y6
IO291NB6F27	W5
IO291PB6F27	Y5
IO292NB6F27	V7
IO292PB6F27	W7
IO293NB6F27	W4
IO293PB6F27	Y4

FG1152	
AX2000 Function	Pin Number
IO294NB6F27	V10
IO294PB6F27	V11
IO295NB6F27	Y1
IO295PB6F27	Y2
IO296NB6F27	W1
IO296PB6F27	W2
IO297NB6F27	V1
IO297PB6F27	V2
IO298NB6F27	V9
IO298PB6F27	V8
IO299NB6F27	U4
IO299PB6F27	V4
Bank 7	
IO300NB7F28	U10
IO300PB7F28	U11
IO301NB7F28	U2
IO301PB7F28	U1
IO302NB7F28	U6
IO302PB7F28	U7
IO303NB7F28	T3
IO303PB7F28	U3
IO304NB7F28	U9
IO304PB7F28	U8
IO305NB7F28	R2
IO305PB7F28	R1
IO306NB7F28	R4
IO306PB7F28	T4
IO307NB7F28	R5
IO307PB7F28	T5
IO308NB7F28	T11
IO308PB7F28	T10
IO309NB7F28	T6
IO309PB7F28	T7
IO310NB7F29	T9
IO310PB7F29	T8

FG1152		FG1152		FG1152	
AX2000 Function	Pin Number	AX2000 Function	Pin Number	AX2000 Function	Pin Number
IO311NB7F29	N3	IO328PB7F30	N9	GND	A33
IO311PB7F29	P3	IO329NB7F30	J4	GND	A4
IO312NB7F29	P7	IO329PB7F30	K4	GND	A8
IO312PB7F29	R7	IO330NB7F30	J5	GND	AA14
IO313NB7F29	P6	IO330PB7F30	K5	GND	AA15
IO313PB7F29	R6	IO331NB7F30	M10	GND	AA16
IO314NB7F29	M2	IO331PB7F30	M9	GND	AA17
IO314PB7F29	N2	IO332NB7F31	L8	GND	AA18
IO315NB7F29	N4	IO332PB7F31	M8	GND	AA19
IO315PB7F29	P4	IO333NB7F31	F2	GND	AA20
IO316NB7F29	R9	IO333PB7F31	F1	GND	AA21
IO316PB7F29	R8	IO334NB7F31	J6	GND	AB1
IO317NB7F29	N5	IO334PB7F31	K6	GND	AB13
IO317PB7F29	P5	IO335NB7F31	H4	GND	AB22
IO318NB7F29	R10	IO335PB7F31	H3	GND	AB34
IO318PB7F29	R11	IO336NB7F31	K7	GND	AC12
IO319NB7F29	L2	IO336PB7F31	L7	GND	AC23
IO319PB7F29	L1	IO337NB7F31	G4	GND	AC30
IO320NB7F29	N8	IO337PB7F31	G3	GND	AC5
IO320PB7F29	P8	IO338NB7F31	K9	GND	AD11
IO321NB7F30	M6	IO338PB7F31	L9	GND	AD24
IO321PB7F30	N6	IO339NB7F31	H6	GND	AD31
IO322NB7F30	P10	IO339PB7F31	H5	GND	AD4
IO322PB7F30	P9	IO340NB7F31	H7	GND	AE3
IO323NB7F30	L3	IO340PB7F31	J7	GND	AE32
IO323PB7F30	M3	IO341NB7F31	J8	GND	AF2
IO324NB7F30	M7	IO341PB7F31	K8	GND	AF33
IO324PB7F30	N7	Dedicated I/O		GND	AG1
IO325NB7F30	K2	GND	A13	GND	AG27
IO325PB7F30	K1	GND	A2	GND	AG34
IO326NB7F30	G2	GND	A22	GND	AG8
IO326PB7F30	H2	GND	A27	GND	AH28
IO327NB7F30	L6	GND	A3	GND	AH7
IO327PB7F30	L5	GND	A31	GND	AJ29
IO328NB7F30	N10	GND	A32	GND	AJ6

FG1152	
AX2000 Function	Pin Number
GND	AK12
GND	AK17
GND	AK18
GND	AK23
GND	AK30
GND	AK5
GND	AL1
GND	AL11
GND	AL2
GND	AL24
GND	AL3
GND	AL31
GND	AL32
GND	AL33
GND	AL34
GND	AL4
GND	AM1
GND	AM10
GND	AM15
GND	AM2
GND	AM20
GND	AM25
GND	AM3
GND	AM31
GND	AM32
GND	AM33
GND	AM34
GND	AM4
GND	AN1
GND	AN2
GND	AN26
GND	AN3
GND	AN31
GND	AN32
GND	AN33

FG1152	
AX2000 Function	Pin Number
GND	AN34
GND	AN4
GND	AN9
GND	AP13
GND	AP2
GND	AP22
GND	AP27
GND	AP3
GND	AP31
GND	AP32
GND	AP33
GND	AP4
GND	AP8
GND	B1
GND	B2
GND	B26
GND	B3
GND	B31
GND	B32
GND	B33
GND	B34
GND	B4
GND	B9
GND	C1
GND	C10
GND	C15
GND	C2
GND	C20
GND	C25
GND	C3
GND	C31
GND	C32
GND	C33
GND	C34
GND	C4

FG1152	
AX2000 Function	Pin Number
GND	D1
GND	D11
GND	D2
GND	D24
GND	D3
GND	D31
GND	D32
GND	D33
GND	D34
GND	D4
GND	E12
GND	E17
GND	E18
GND	E23
GND	E30
GND	E5
GND	F29
GND	F30
GND	F6
GND	G28
GND	G7
GND	H1
GND	H34
GND	J2
GND	J33
GND	K3
GND	K32
GND	L11
GND	L24
GND	L31
GND	L4
GND	M12
GND	M23
GND	M30
GND	M5

FG1152		FG1152		FG1152	
AX2000 Function	Pin Number	AX2000 Function	Pin Number	AX2000 Function	Pin Number
GND	N1	GND	U19	NC	A26
GND	N13	GND	U20	NC	AB2
GND	N22	GND	U21	NC	AB33
GND	N34	GND	U30	NC	AC34
GND	P14	GND	U5	NC	AD3
GND	P15	GND	V14	NC	AD34
GND	P16	GND	V15	NC	AE31
GND	P17	GND	V16	NC	AE33
GND	P18	GND	V17	NC	AE34
GND	P19	GND	V18	NC	AF1
GND	P20	GND	V19	NC	AF34
GND	P21	GND	V20	NC	AG2
GND	R14	GND	V21	NC	AG4
GND	R15	GND	V30	NC	AH1
GND	R16	GND	V5	NC	AH2
GND	R17	GND	W14	NC	AH31
GND	R18	GND	W15	NC	AH32
GND	R19	GND	W16	NC	AH34
GND	R20	GND	W17	NC	AJ1
GND	R21	GND	W18	NC	AJ2
GND	R3	GND	W19	NC	AJ3
GND	R32	GND	W20	NC	AJ31
GND	T14	GND	W21	NC	AJ32
GND	T15	GND	Y14	NC	AJ33
GND	T16	GND	Y15	NC	AJ34
GND	T17	GND	Y16	NC	AJ4
GND	T18	GND	Y17	NC	AL29
GND	T19	GND	Y18	NC	AM19
GND	T20	GND	Y19	NC	AM7
GND	T21	GND	Y20	NC	AN13
GND	U14	GND	Y21	NC	AN17
GND	U15	GND	Y3	NC	AN25
GND	U16	GND	Y32	NC	AN27
GND	U17	GND/LP	G6	NC	AN8
GND	U18	NC	A17	NC	AP17

FG1152		FG1152		FG1152	
AX2000 Function	Pin Number	AX2000 Function	Pin Number	AX2000 Function	Pin Number
NC	AP9	PRB	F18	VCCA	T22
NC	B17	PRC	AD18	VCCA	U13
NC	B22	PRD	AH18	VCCA	U22
NC	B27	TCK	J9	VCCA	V13
NC	B8	TDI	F7	VCCA	V22
NC	D10	TDO	L10	VCCA	W13
NC	D20	TMS	H8	VCCA	W22
NC	D23	TRST	E6	VCCA	Y13
NC	D25	VCCA	AA13	VCCA	Y22
NC	F3	VCCA	AA22	VCCDA	AF26
NC	F32	VCCA	AB14	VCCDA	AF9
NC	F33	VCCA	AB15	VCCDA	AG17
NC	F34	VCCA	AB16	VCCDA	AG18
NC	F4	VCCA	AB17	VCCDA	AH14
NC	G1	VCCA	AB18	VCCDA	AH15
NC	G32	VCCA	AB19	VCCDA	AH17
NC	G33	VCCA	AB20	VCCDA	AH20
NC	G34	VCCA	AB21	VCCDA	AH21
NC	H31	VCCA	AF8	VCCDA	AK29
NC	H33	VCCA	AK28	VCCDA	AK6
NC	J1	VCCA	G30	VCCDA	E15
NC	J3	VCCA	G5	VCCDA	E29
NC	J34	VCCA	N14	VCCDA	E7
NC	M1	VCCA	N15	VCCDA	F15
NC	M4	VCCA	N16	VCCDA	F21
NC	P1	VCCA	N17	VCCDA	F5
NC	P2	VCCA	N18	VCCDA	G20
NC	R31	VCCA	N19	VCCDA	H17
NC	T1	VCCA	N20	VCCDA	H18
NC	T2	VCCA	N21	VCCDA	H28
NC	V3	VCCA	P13	VCCDA	J18
NC	V34	VCCA	P22	VCCDA	V27
NC	W3	VCCA	R13	VCCDA	V6
NC	W34	VCCA	R22	VCCIB0	A5
PRA	J17	VCCA	T13	VCCIB0	B5

FG1152		FG1152		FG1152	
AX2000 Function	Pin Number	AX2000 Function	Pin Number	AX2000 Function	Pin Number
VCCIB0	C5	VCCIB3	AA24	VCCIB6	AA11
VCCIB0	D5	VCCIB3	AB23	VCCIB6	AA12
VCCIB0	L12	VCCIB3	AB24	VCCIB6	AB11
VCCIB0	L13	VCCIB3	AC24	VCCIB6	AB12
VCCIB0	L14	VCCIB3	AK31	VCCIB6	AC11
VCCIB0	M13	VCCIB3	AK32	VCCIB6	AK1
VCCIB0	M14	VCCIB3	AK33	VCCIB6	AK2
VCCIB0	M15	VCCIB3	AK34	VCCIB6	AK3
VCCIB0	M16	VCCIB3	V23	VCCIB6	AK4
VCCIB0	M17	VCCIB3	W23	VCCIB6	V12
VCCIB1	A30	VCCIB3	Y23	VCCIB6	W12
VCCIB1	B30	VCCIB4	AC18	VCCIB6	Y12
VCCIB1	C30	VCCIB4	AC19	VCCIB7	E1
VCCIB1	D30	VCCIB4	AC20	VCCIB7	E2
VCCIB1	L21	VCCIB4	AC21	VCCIB7	E3
VCCIB1	L22	VCCIB4	AC22	VCCIB7	E4
VCCIB1	L23	VCCIB4	AD21	VCCIB7	M11
VCCIB1	M18	VCCIB4	AD22	VCCIB7	N11
VCCIB1	M19	VCCIB4	AD23	VCCIB7	N12
VCCIB1	M20	VCCIB4	AL30	VCCIB7	P11
VCCIB1	M21	VCCIB4	AM30	VCCIB7	P12
VCCIB1	M22	VCCIB4	AN30	VCCIB7	R12
VCCIB2	E31	VCCIB4	AP30	VCCIB7	T12
VCCIB2	E32	VCCIB5	AC13	VCCIB7	U12
VCCIB2	E33	VCCIB5	AC14	VCCPLA	J16
VCCIB2	E34	VCCIB5	AC15	VCCPLB	K17
VCCIB2	M24	VCCIB5	AC16	VCCPLC	J19
VCCIB2	N23	VCCIB5	AC17	VCCPLD	L18
VCCIB2	N24	VCCIB5	AD12	VCCPLE	AK19
VCCIB2	P23	VCCIB5	AD13	VCCPLF	AE18
VCCIB2	P24	VCCIB5	AD14	VCCPLG	AK16
VCCIB2	R23	VCCIB5	AL5	VCCPLH	AF17
VCCIB2	T23	VCCIB5	AM5	VCOMPLA	H16
VCCIB2	U23	VCCIB5	AN5	VCOMPLB	L17
VCCIB3	AA23	VCCIB5	AP5	VCOMPLC	H19

FG1152	
AX2000 Function	Pin Number
VCOMPLD	K18
VCOMPLE	AH19
VCOMPLF	AF18
VCOMPLG	AH16
VCOMPLH	AD17
VPUMP	J26

PQ208



Note

For Package Manufacturing and Environmental information, visit Resource center at <http://www.microsemi.com/soc/products/rescenter/package/index.html>.

PQ208	
AX250 Function	Pin Number
Bank 0	
IO02NB0F0	197
IO03NB0F0	198
IO03PB0F0	199
IO12NB0F0/HCLKAN	191
IO12PB0F0/HCLKAP	192
IO13NB0F0/HCLKBN	185
IO13PB0F0/HCLKBP	186
Bank 1	
IO14NB1F1/HCLKCN	180
IO14PB1F1/HCLKCP	181
IO15NB1F1/HCLKDN	174
IO15PB1F1/HCLKDP	175
IO16NB1F1	170
IO16PB1F1	171
IO24NB1F1	165
IO24PB1F1	166
IO26NB1F1	161
IO26PB1F1	162
IO27NB1F1	159
IO27PB1F1	160
Bank 2	
IO29NB2F2	151
IO29PB2F2	153
IO30NB2F2	152
IO30PB2F2	154
IO31PB2F2	148
IO32NB2F2	146
IO32PB2F2	147
IO34NB2F2	144
IO34PB2F2	145
IO39NB2F2	139
IO39PB2F2	140
IO40PB2F2	141
IO41NB2F2	137
IO41PB2F2	138
IO43NB2F2	132

PQ208	
AX250 Function	Pin Number
IO43PB2F2	134
IO44NB2F2	131
IO44PB2F2	133
Bank 3	
IO45NB3F3	127
IO45PB3F3	129
IO46NB3F3	126
IO46PB3F3	128
IO48NB3F3	122
IO48PB3F3	123
IO50NB3F3	120
IO50PB3F3	121
IO55NB3F3	116
IO55PB3F3	117
IO57NB3F3	114
IO57PB3F3	115
IO59NB3F3	110
IO59PB3F3	111
IO60NB3F3	108
IO60PB3F3	109
IO61NB3F3	106
IO61PB3F3	107
Bank 4	
IO62NB4F4	100
IO62PB4F4	103
IO63NB4F4	101
IO63PB4F4	102
IO64NB4F4	96
IO64PB4F4	97
IO72NB4F4	91
IO72PB4F4	92
IO74NB4F4/CLKEN	87
IO74PB4F4/CLKEP	88
IO75NB4F4/CLKFN	81
IO75PB4F4/CLKFP	82
Bank 5	
IO76NB5F5/CLKGN	76

PQ208	
AX250 Function	Pin Number
IO76PB5F5/CLKGP	77
IO77NB5F5/CLKHN	70
IO77PB5F5/CLKHP	71
IO78NB5F5	66
IO78PB5F5	67
IO86NB5F5	62
IO87NB5F5	60
IO87PB5F5	61
IO88NB5F5	56
IO88PB5F5	57
IO89NB5F5	54
IO89PB5F5	55
Bank 6	
IO91NB6F6	47
IO91PB6F6	49
IO92NB6F6	48
IO92PB6F6	50
IO93NB6F6	42
IO93PB6F6	43
IO94PB6F6	44
IO96NB6F6	40
IO96PB6F6	41
IO101NB6F6	35
IO101PB6F6	36
IO102PB6F6	37
IO103NB6F6	33
IO103PB6F6	34
IO105NB6F6	28
IO105PB6F6	30
IO106NB6F6	27
IO106PB6F6	29
Bank 7	
IO107NB7F7	23
IO107PB7F7	25
IO108NB7F7	22
IO108PB7F7	24
IO110NB7F7	18

PQ208	
AX250 Function	Pin Number
IO110PB7F7	19
IO112NB7F7	16
IO112PB7F7	17
IO117NB7F7	12
IO117PB7F7	13
IO119NB7F7	10
IO119PB7F7	11
IO121PB7F7	7
IO122NB7F7	5
IO122PB7F7	6
IO123NB7F7	3
IO123PB7F7	4
Dedicated I/O	
VCCDA	1
VCCDA	26
VCCDA	53
VCCDA	63
VCCDA	78
VCCDA	95
VCCDA	105
VCCDA	130
VCCDA	157
VCCDA	167
VCCDA	182
VCCDA	202
GND	104
GND	9
GND	15
GND	21
GND	32
GND	39
GND	46
GND	51
GND	59
GND	65
GND	69
GND	90

PQ208	
AX250 Function	Pin Number
GND	94
GND	99
GND	113
GND	119
GND	125
GND	136
GND	143
GND	150
GND	155
GND	164
GND	169
GND	173
GND	194
GND	196
GND	201
GND/LP	208
PRA	184
PRB	183
PRC	80
PRD	79
TCK	205
TDI	204
TDO	203
TMS	206
TRST	207
VCCA	2
VCCA	52
VCCA	156
VCCA	14
VCCA	38
VCCA	64
VCCA	93
VCCA	118
VCCA	142
VCCA	168
VCCA	195
VCCPLA	189

PQ208	
AX250 Function	Pin Number
VCCPLB	187
VCCPLC	178
VCCPLD	176
VCCPLE	85
VCCPLF	83
VCCPLG	74
VCCPLH	72
VCCIB0	193
VCCIB0	200
VCCIB1	163
VCCIB1	172
VCCIB2	135
VCCIB2	149
VCCIB3	112
VCCIB3	124
VCCIB4	89
VCCIB4	98
VCCIB5	58
VCCIB5	68
VCCIB6	31
VCCIB6	45
VCCIB7	8
VCCIB7	20
VCOMPLA	190
VCOMPLB	188
VCOMPLC	179
VCOMPLD	177
VCOMPLE	86
VCOMPLF	84
VCOMPLG	75
VCOMPLH	73
VPUMP	158

PQ208	
AX500 Function	Pin Number
Bank 0	
IO03NB0F0	198
IO03PB0F0	199
IO04NB0F0	197
IO19NB0F1/HCLKAN	191
IO19PB0F1/HCLKAP	192
IO20NB0F1/HCLKBN	185
IO20PB0F1/HCLKBP	186
Bank 1	
IO21NB1F2/HCLKCN	180
IO21PB1F2/HCLKCP	181
IO22NB1F2/HCLKDN	174
IO22PB1F2/HCLKDP	175
IO23NB1F2	170
IO23PB1F2	171
IO37NB1F3	165
IO37PB1F3	166
IO39NB1F3	161
IO39PB1F3	162
IO41NB1F3	159
IO41PB1F3	160
Bank 2	
IO43NB2F4	151
IO43PB2F4	153
IO44NB2F4	152
IO44PB2F4	154
IO45PB2F4	148
IO46NB2F4	146
IO46PB2F4	147
IO48NB2F4	144
IO48PB2F4	145
IO57NB2F5	139
IO57PB2F5	140
IO58PB2F5	141
IO59NB2F5	137
IO59PB2F5	138
IO61NB2F5	132

PQ208	
AX500 Function	Pin Number
IO61PB2F5	134
IO62NB2F5	131
IO62PB2F5	133
Bank 3	
IO63NB3F6	127
IO63PB3F6	129
IO64NB3F6	126
IO64PB3F6	128
IO66NB3F6	122
IO66PB3F6	123
IO68NB3F6	120
IO68PB3F6	121
IO77NB3F7	116
IO77PB3F7	117
IO79NB3F7	114
IO79PB3F7	115
IO81NB3F7	110
IO81PB3F7	111
IO82NB3F7	108
IO82PB3F7	109
IO83NB3F7	106
IO83PB3F7	107
Bank 4	
IO84PB4F8	103
IO85NB4F8	100
IO86NB4F8	101
IO86PB4F8	102
IO87NB4F8	96
IO87PB4F8	97
IO101NB4F9	91
IO101PB4F9	92
IO103NB4F9/CLKEN	87
IO103PB4F9/CLKEP	88
IO104NB4F9/CLKFN	81
IO104PB4F9/CLKFP	82
Bank 5	
IO105NB5F10/CLKGN	76

PQ208	
AX500 Function	Pin Number
IO105PB5F10/CLKGP	77
IO106NB5F10/CLKHN	70
IO106PB5F10/CLKHP	71
IO107NB5F10	66
IO107PB5F10	67
IO119NB5F11	62
IO121NB5F11	60
IO121PB5F11	61
IO123NB5F11	56
IO123PB5F11	57
IO125NB5F11	54
IO125PB5F11	55
Bank 6	
IO127NB6F12	47
IO127PB6F12	49
IO128NB6F12	48
IO128PB6F12	50
IO129NB6F12	42
IO129PB6F12	43
IO130PB6F12	44
IO132NB6F12	40
IO132PB6F12	41
IO141NB6F13	35
IO141PB6F13	36
IO142PB6F13	37
IO143NB6F13	33
IO143PB6F13	34
IO145NB6F13	28
IO145PB6F13	30
IO146NB6F13	27
IO146PB6F13	29
Bank 7	
IO147NB7F14	23
IO147PB7F14	25
IO148NB7F14	22
IO148PB7F14	24
IO150NB7F14	18

PQ208	
AX500 Function	Pin Number
IO150PB7F14	19
IO152NB7F14	16
IO152PB7F14	17
IO161NB7F15	12
IO161PB7F15	13
IO163NB7F15	10
IO163PB7F15	11
IO165PB7F15	7
IO166NB7F15	5
IO166PB7F15	6
IO167NB7F15	3
IO167PB7F15	4
Dedicated I/O	
V _{CCDA}	1
V _{CCDA}	26
V _{CCDA}	53
V _{CCDA}	63
V _{CCDA}	78
V _{CCDA}	95
V _{CCDA}	105
V _{CCDA}	130
V _{CCDA}	157
V _{CCDA}	167
V _{CCDA}	182
V _{CCDA}	202
GND	104
GND	9
GND	15
GND	21
GND	32
GND	39
GND	46
GND	51
GND	59
GND	65
GND	69
GND	90

PQ208	
AX500 Function	Pin Number
GND	94
GND	99
GND	113
GND	119
GND	125
GND	143
GND	136
GND	150
GND	155
GND	164
GND	169
GND	173
GND	194
GND	196
GND	201
GND/LP	208
PRA	184
PRB	183
PRC	80
PRD	79
TCK	205
TDI	204
TDO	203
TMS	206
TRST	207
VCCA	2
VCCA	14
VCCA	38
VCCA	52
VCCA	64
VCCA	93
VCCA	118
VCCA	142
VCCA	156
VCCA	168
VCCA	195
VCCPLA	189

PQ208	
AX500 Function	Pin Number
VCCPLB	187
VCCPLC	178
VCCPLD	176
VCCPLE	85
VCCPLF	83
VCCPLG	74
VCCPLH	72
VCCIB0	200
VCCIB0	193
VCCIB1	172
VCCIB1	163
VCCIB2	149
VCCIB2	135
VCCIB3	124
VCCIB3	112
VCCIB4	98
VCCIB4	89
VCCIB5	68
VCCIB5	58
VCCIB6	45
VCCIB6	31
VCCIB7	20
VCCIB7	8
VCOMPLA	190
VCOMPLB	188
VCOMPLC	179
VCOMPLD	177
VCOMPLE	86
VCOMPLF	84
VCOMPLG	75
VCOMPLH	73
VPUMP	158

CQ208



Note

For Package Manufacturing and Environmental information, visit Resource center at <http://www.microsemi.com/soc/products/rescenter/package/index.html>.

CQ208	
AX250 Function	Pin Number
Bank 0	
IO02NB0F0	197
IO03NB0F0	198
IO03PB0F0	199
IO12NB0F0/HCLKAN	191
IO12PB0F0/HCLKAP	192
IO13NB0F0/HCLKBN	185
IO13PB0F0/HCLKBP	186
Bank 1	
IO14NB1F1/HCLKCN	180
IO14PB1F1/HCLKCP	181
IO15NB1F1/HCLKDN	174
IO15PB1F1/HCLKDP	175
IO16NB1F1	170
IO16PB1F1	171
IO24NB1F1	165
IO24PB1F1	166
IO26NB1F1	161
IO26PB1F1	162
IO27NB1F1	159
IO27PB1F1	160
Bank 2	
IO29NB2F2	151
IO29PB2F2	153
IO30NB2F2	152
IO30PB2F2	154
IO31PB2F2	148
IO32NB2F2	146
IO32PB2F2	147
IO34NB2F2	144
IO34PB2F2	145
IO39NB2F2	139
IO39PB2F2	140
IO40PB2F2	141
IO41NB2F2	137
IO41PB2F2	138
IO43NB2F2	132

CQ208	
AX250 Function	Pin Number
IO43PB2F2	134
IO44NB2F2	131
IO44PB2F2	133
Bank 3	
IO45NB3F3	127
IO45PB3F3	129
IO46NB3F3	126
IO46PB3F3	128
IO48NB3F3	122
IO48PB3F3	123
IO50NB3F3	120
IO50PB3F3	121
IO55NB3F3	116
IO55PB3F3	117
IO57NB3F3	114
IO57PB3F3	115
IO59NB3F3	110
IO59PB3F3	111
IO60NB3F3	108
IO60PB3F3	109
IO61NB3F3	106
IO61PB3F3	107
Bank 4	
IO62NB4F4	100
IO62PB4F4	103
IO63NB4F4	101
IO63PB4F4	102
IO64NB4F4	96
IO64PB4F4	97
IO72NB4F4	91
IO72PB4F4	92
IO74NB4F4/CLKEN	87
IO74PB4F4/CLKEP	88
IO75NB4F4/CLKFN	81
IO75PB4F4/CLKFP	82
Bank 5	
IO76NB5F5/CLKGN	76

CQ208	
AX250 Function	Pin Number
IO76PB5F5/CLKGP	77
IO77NB5F5/CLKHN	70
IO77PB5F5/CLKHP	71
IO78NB5F5	66
IO78PB5F5	67
IO86NB5F5	62
IO87NB5F5	60
IO87PB5F5	61
IO88NB5F5	56
IO88PB5F5	57
IO89NB5F5	54
IO89PB5F5	55
Bank 6	
IO91NB6F6	47
IO91PB6F6	49
IO92NB6F6	48
IO92PB6F6	50
IO93NB6F6	42
IO93PB6F6	43
IO94PB6F6	44
IO96NB6F6	40
IO96PB6F6	41
IO101NB6F6	35
IO101PB6F6	36
IO102PB6F6	37
IO103NB6F6	33
IO103PB6F6	34
IO105NB6F6	28
IO105PB6F6	30
IO106NB6F6	27
IO106PB6F6	29
Bank 7	
IO107NB7F7	23
IO107PB7F7	25
IO108NB7F7	22
IO108PB7F7	24
IO110NB7F7	18

CQ208	
AX250 Function	Pin Number
IO110PB7F7	19
IO112NB7F7	16
IO112PB7F7	17
IO117NB7F7	12
IO117PB7F7	13
IO119NB7F7	10
IO119PB7F7	11
IO121PB7F7	7
IO122NB7F7	5
IO122PB7F7	6
IO123NB7F7	3
IO123PB7F7	4
Dedicated I/O	
GND	9
GND	15
GND	21
GND	32
GND	39
GND	46
GND	51
GND	59
GND	65
GND	69
GND	90
GND	94
GND	99
GND	104
GND	113
GND	119
GND	125
GND	136
GND	143
GND	150
GND	155
GND	164
GND	169
GND	173

CQ208	
AX250 Function	Pin Number
GND	194
GND	196
GND	201
GND/LP	208
PRA	184
PRB	183
PRC	80
PRD	79
TCK	205
TDI	204
TDO	203
TMS	206
TRST	207
VCCA	2
VCCA	14
VCCA	38
VCCA	52
VCCA	64
VCCA	93
VCCA	118
VCCA	142
VCCA	156
VCCA	168
VCCA	195
VCCDA	1
VCCDA	26
VCCDA	53
VCCDA	63
VCCDA	78
VCCDA	95
VCCDA	105
VCCDA	130
VCCDA	157
VCCDA	167
VCCDA	182
VCCDA	202
VCCIB0	193

CQ208	
AX250 Function	Pin Number
VCCIB0	200
VCCIB1	163
VCCIB1	172
VCCIB2	135
VCCIB2	149
VCCIB3	112
VCCIB3	124
VCCIB4	89
VCCIB4	98
VCCIB5	58
VCCIB5	68
VCCIB6	31
VCCIB6	45
VCCIB7	8
VCCIB7	20
VCCPLA	189
VCCPLB	187
VCCPLC	178
VCCPLD	176
VCCPLE	85
VCCPLF	83
VCCPLG	74
VCCPLH	72
VCOMPLA	190
VCOMPLB	188
VCOMPLC	179
VCOMPLD	177
VCOMPLE	86
VCOMPLF	84
VCOMPLG	75
VCOMPLH	73
VPUMP	158

CQ208	
AX500 Function	Pin Number
Bank 0	
IO03NB0F0	198
IO03PB0F0	199
IO04NB0F0	197
IO19NB0F1/HCLKAN	191
IO19PB0F1/HCLKAP	192
IO20NB0F1/HCLKBN	185
IO20PB0F1/HCLKBP	186
Bank 1	
IO21NB1F2/HCLKCN	180
IO21PB1F2/HCLKCP	181
IO22NB1F2/HCLKDN	174
IO22PB1F2/HCLKDP	175
IO23NB1F2	170
IO23PB1F2	171
IO37NB1F3	165
IO37PB1F3	166
IO39NB1F3	161
IO39PB1F3	162
IO41NB1F3	159
IO41PB1F3	160
Bank 2	
IO43NB2F4	151
IO43PB2F4	153
IO44NB2F4	152
IO44PB2F4	154
IO45PB2F4	148
IO46NB2F4	146
IO46PB2F4	147
IO48NB2F4	144
IO48PB2F4	145
IO57NB2F5	139
IO57PB2F5	140
IO58PB2F5	141
IO59NB2F5	137
IO59PB2F5	138
IO61NB2F5	132

CQ208	
AX500 Function	Pin Number
IO61PB2F5	134
IO62NB2F5	131
IO62PB2F5	133
Bank 3	
IO63NB3F6	127
IO63PB3F6	129
IO64NB3F6	126
IO64PB3F6	128
IO66NB3F6	122
IO66PB3F6	123
IO68NB3F6	120
IO68PB3F6	121
IO77NB3F7	116
IO77PB3F7	117
IO79NB3F7	114
IO79PB3F7	115
IO81NB3F7	110
IO81PB3F7	111
IO82NB3F7	108
IO82PB3F7	109
IO83NB3F7	106
IO83PB3F7	107
Bank 4	
IO84PB4F8	103
IO85NB4F8	100
IO86NB4F8	101
IO86PB4F8	102
IO87NB4F8	96
IO87PB4F8	97
IO101NB4F9	91
IO101PB4F9	92
IO103NB4F9/CLKEN	87
IO103PB4F9/CLKEP	88
IO104NB4F9/CLKFN	81
IO104PB4F9/CLKFP	82
Bank 5	
IO105NB5F10/CLKGN	76

CQ208	
AX500 Function	Pin Number
IO105PB5F10/CLKGP	77
IO106NB5F10/CLKHN	70
IO106PB5F10/CLKHP	71
IO107NB5F10	66
IO107PB5F10	67
IO119NB5F11	62
IO121NB5F11	60
IO121PB5F11	61
IO123NB5F11	56
IO123PB5F11	57
IO125NB5F11	54
IO125PB5F11	55
Bank 6	
IO127NB6F12	47
IO127PB6F12	49
IO128NB6F12	48
IO128PB6F12	50
IO129NB6F12	42
IO129PB6F12	43
IO130PB6F12	44
IO132NB6F12	40
IO132PB6F12	41
IO141NB6F13	35
IO141PB6F13	36
IO142PB6F13	37
IO143NB6F13	33
IO143PB6F13	34
IO145NB6F13	28
IO145PB6F13	30
IO146NB6F13	27
IO146PB6F13	29
Bank 7	
IO147NB7F14	23
IO147PB7F14	25
IO148NB7F14	22
IO148PB7F14	24
IO150NB7F14	18

CQ208	
AX500 Function	Pin Number
IO150PB7F14	19
IO152NB7F14	16
IO152PB7F14	17
IO161NB7F15	12
IO161PB7F15	13
IO163NB7F15	10
IO163PB7F15	11
IO165PB7F15	7
IO166NB7F15	5
IO166PB7F15	6
IO167NB7F15	3
IO167PB7F15	4
Dedicated I/O	
VCCDA	1
GND	9
GND	15
GND	21
GND	32
GND	39
GND	46
GND	51
GND	59
GND	65
GND	69
GND	90
GND	94
GND	99
GND	104
GND	113
GND	119
GND	125
GND	136
GND	143
GND	150
GND	155
GND	164
GND	169

CQ208	
AX500 Function	Pin Number
GND	173
GND	194
GND	196
GND	201
GND/LP	208
PRA	184
PRB	183
PRC	80
PRD	79
TCK	205
TDI	204
TDO	203
TMS	206
TRST	207
VCCA	2
VCCA	14
VCCA	38
VCCA	52
VCCA	64
VCCA	93
VCCA	118
VCCA	142
VCCA	156
VCCA	168
VCCA	195
VCCDA	26
VCCDA	53
VCCDA	63
VCCDA	78
VCCDA	95
VCCDA	105
VCCDA	130
VCCDA	157
VCCDA	167
VCCDA	182
VCCDA	202
VCCIB0	193

CQ208	
AX500 Function	Pin Number
VCCIB0	200
VCCIB1	163
VCCIB1	172
VCCIB2	135
VCCIB2	149
VCCIB3	112
VCCIB3	124
VCCIB4	89
VCCIB4	98
VCCIB5	58
VCCIB5	68
VCCIB6	31
VCCIB6	45
VCCIB7	8
VCCIB7	20
VCCPLA	189
VCCPLB	187
VCCPLC	178
VCCPLD	176
VCCPLE	85
VCCPLF	83
VCCPLG	74
VCCPLH	72
VCOMPLA	190
VCOMPLB	188
VCOMPLC	179
VCOMPLD	177
VCOMPLE	86
VCOMPLF	84
VCOMPLG	75
VCOMPLH	73
VPUMP	158

CQ256



Note

For Package Manufacturing and Environmental information, visit the Resource center at <http://www.microsemi.com/soc/products/solutions/package/docs.aspx>.

CQ256	
AX2000 Function	Pin Number
Bank 0	
IO01NB0F0	248
IO01PB0F0	249
IO04NB0F0	246
IO04PB0F0	247
IO05NB0F0	242
IO05PB0F0	243
IO08NB0F0	240
IO08PB0F0	241
Bank 0	
IO37NB0F3	234
IO37PB0F3	235
IO41NB0F3/HCLKAN	232
IO41PB0F3/HCLKAP	233
IO42NB0F3/HCLKBN	228
IO42PB0F3/HCLKBP	229
Bank 1 -	
IO43NB1F4/HCLKCN	220
IO43PB1F4/HCLKCP	221
IO44NB1F4/HCLKDN	216
IO44PB1F4/HCLKDP	217
Bank 1	
IO65NB1F6	210
IO65PB1F6	211
IO69NB1F6	208
IO69PB1F6	209
IO70NB1F6	199
IO71NB1F6	204
IO71PB1F6	205
IO73NB1F6	202
IO73PB1F6	203
IO74NB1F6	197
IO74PB1F6	198
Bank 2	
IO87NB2F8	187

CQ256	
AX2000 Function	Pin Number
IO87PB2F8	188
IO89PB2F8	186
Bank 2	
IO107NB2F10	184
IO107PB2F10	185
IO110NB2F10	180
IO110PB2F10	181
IO111NB2F10	178
IO111PB2F10	179
IO112NB2F10	174
IO112PB2F10	175
IO113NB2F10	172
IO113PB2F10	173
IO114NB2F10	168
IO114PB2F10	169
IO115NB2F10	166
IO115PB2F10	167
IO117NB2F10	162
IO117PB2F10	163
Bank 3	
IO139NB3F13	158
IO139PB3F13	159
IO141NB3F13	154
IO141PB3F13	155
IO142NB3F13	152
IO142PB3F13	153
IO145NB3F13	148
IO145PB3F13	149
IO146NB3F13	146
IO146PB3F13	147
IO147NB3F13	140
IO147PB3F13	141
IO148NB3F13	142
IO148PB3F13	143
IO149NB3F13	136

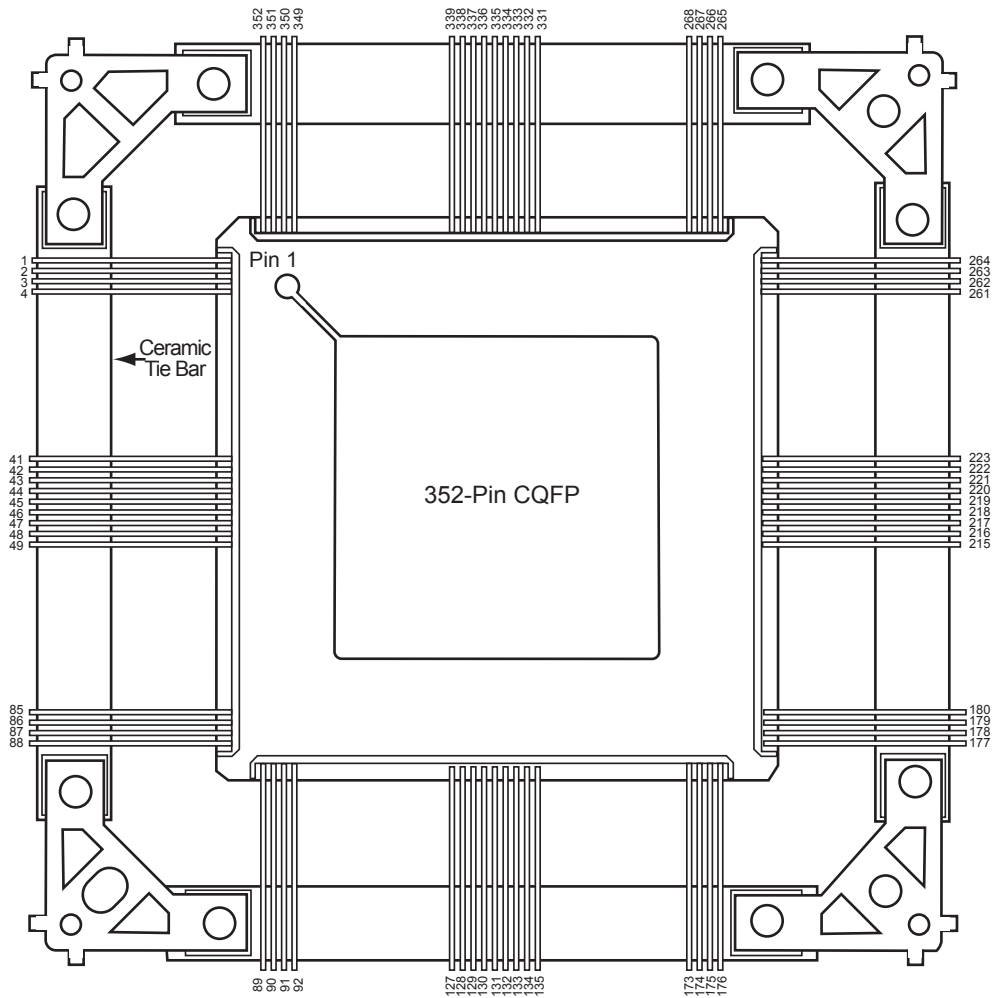
CQ256	
AX2000 Function	Pin Number
IO149PB3F13	137
Bank 3	
IO165NB3F15	135
IO167NB3F15	133
IO167PB3F15	134
Bank 4	
IO181NB4F17	124
IO181PB4F17	125
IO182NB4F17	122
IO182PB4F17	123
IO183NB4F17	118
IO183PB4F17	119
IO184NB4F17	116
IO184PB4F17	117
IO190NB4F17	112
IO190PB4F17	113
IO192NB4F17	110
IO192PB4F17	111
Bank 4	
IO212NB4F19/CLKEN	104
IO212PB4F19/CLKEP	105
IO213NB4F19/CLKFN	100
IO213PB4F19/CLKFP	101
Bank 5	
IO214NB5F20/CLKGN	92
IO214PB5F20/CLKGP	93
IO215NB5F20/CLKHN	88
IO215PB5F20/CLKHP	89
Bank 5	
IO236NB5F22	82
IO236PB5F22	83
IO238NB5F22	80
IO238PB5F22	81
IO240NB5F22	76
IO240PB5F22	77

CQ256		CQ256		CQ256	
AX2000 Function	Pin Number	AX2000 Function	Pin Number	AX2000 Function	Pin Number
IO242NB5F22	74	IO315PB7F29	21	GND	121
IO242PB5F22	75	IO316NB7F29	18	GND	128
IO243NB5F22	70	IO316PB7F29	19	GND	129
IO243PB5F22	71	IO317NB7F29	14	GND	132
IO244NB5F22	68	IO317PB7F29	15	GND	139
IO244PB5F22	69	IO318NB7F29	12	GND	145
Bank 6		IO318PB7F29	13	GND	151
IO257PB6F24	60	IO320NB7F29	8	GND	157
IO258NB6F24	58	IO320PB7F29	9	GND	161
IO258PB6F24	59	Bank 7		GND	165
Bank 6		IO341NB7F31	6	GND	171
IO279NB6F26	56	IO341PB7F31	7	GND	177
IO279PB6F26	57	Dedicated I/O		GND	183
IO280NB6F26	52	GND	1	GND	190
IO280PB6F26	53	GND	5	GND	192
IO281NB6F26	50	GND	11	GND	193
IO281PB6F26	51	GND	17	GND	201
IO282NB6F26	46	GND	23	GND	207
IO282PB6F26	47	GND	29	GND	213
IO284NB6F26	44	GND	33	GND	219
IO284PB6F26	45	GND	37	GND	225
IO285NB6F26	40	GND	43	GND	231
IO285PB6F26	41	GND	49	GND	239
IO286NB6F26	38	GND	55	GND	245
IO286PB6F26	39	GND	62	GND	256
IO287NB6F26	34	GND	64	PRA	227
IO287PB6F26	35	GND	65	PRB	226
Bank 7 9		GND	73	PRC	99
IO310NB7F29	30	GND	79	PRD	98
IO310PB7F29	31	GND	85	TCK	253
IO311NB7F29	26	GND	91	TDI	252
IO311PB7F29	27	GND	97	TDO	250
IO312NB7F29	24	GND	103	TMS	254
IO312PB7F29	25	GND	109	TRST	255
IO315NB7F29	20	GND	115	VCCA	3

CQ256	
AX2000 Function	Pin Number
VCCA	4
VCCA	22
VCCA	42
VCCA	61
VCCA	63
VCCA	84
VCCA	108
VCCA	127
VCCA	131
VCCA	150
VCCA	170
VCCA	189
VCCA	191
VCCA	212
VCCA	238
VCCDA	2
VCCDA	32
VCCDA	66
VCCDA	67
VCCDA	86
VCCDA	87
VCCDA	94
VCCDA	95
VCCDA	96
VCCDA	106
VCCDA	107
VCCDA	126
VCCDA	130
VCCDA	160
VCCDA	194
VCCDA	196
VCCDA	214
VCCDA	215
VCCDA	222
VCCDA	223

CQ256	
AX2000 Function	Pin Number
VCCDA	224
VCCDA	236
VCCDA	237
VCCDA	251
VCCIB0	230
VCCIB0	244
VCCIB1	200
VCCIB1	206
VCCIB1	218
VCCIB2	164
VCCIB2	176
VCCIB2	182
VCCIB3	138
VCCIB3	144
VCCIB3	156
VCCIB4	102
VCCIB4	114
VCCIB4	120
VCCIB5	72
VCCIB5	78
VCCIB5	90
VCCIB6	36
VCCIB6	48
VCCIB6	54
VCCIB7	10
VCCIB7	16
VCCIB7	28
VPUMP	195

CQ352



Note

For Package Manufacturing and Environmental information, visit Resource center at <http://www.microsemi.com/soc/products/rescenter/package/index.html>.

CQ352	
AX250 Function	Pin Number
Bank 0	
IO00NB0F0	341
IO00PB0F0	342
IO01NB0F0	343
IO02NB0F0	337
IO02PB0F0	338
IO04NB0F0	335
IO04PB0F0	336
IO06NB0F0	331
IO06PB0F0	332
IO08NB0F0	325
IO08PB0F0	326
IO10NB0F0	323
IO10PB0F0	324
IO12NB0F0/HCLKAN	319
IO12PB0F0/HCLKAP	320
IO13NB0F0/HCLKBN	313
IO13PB0F0/HCLKBP	314
Bank 1	
IO14NB1F1/HCLKCN	305
IO14PB1F1/HCLKCP	306
IO15NB1F1/HCLKDN	299
IO15PB1F1/HCLKDP	300
IO16NB1F1	289
IO16PB1F1	290
IO17NB1F1	295
IO17PB1F1	296
IO18NB1F1	287
IO18PB1F1	288
IO20NB1F1	283
IO20PB1F1	284
IO22NB1F1	277
IO22PB1F1	278
IO23NB1F1	281
IO23PB1F1	282

CQ352	
AX250 Function	Pin Number
IO24NB1F1	275
IO24PB1F1	276
IO25NB1F1	271
IO25PB1F1	272
IO27NB1F1	269
IO27PB1F1	270
Bank 2	
IO29NB2F2	261
IO29PB2F2	262
IO30NB2F2	259
IO30PB2F2	260
IO31NB2F2	255
IO31PB2F2	256
IO33NB2F2	249
IO33PB2F2	250
IO34NB2F2	253
IO34PB2F2	254
IO35NB2F2	247
IO35PB2F2	248
IO36NB2F2	243
IO36PB2F2	244
IO37NB2F2	241
IO37PB2F2	242
IO38NB2F2	237
IO38PB2F2	238
IO39NB2F2	235
IO39PB2F2	236
IO41NB2F2	231
IO41PB2F2	232
IO42NB2F2	229
IO42PB2F2	230
IO43NB2F2	225
IO43PB2F2	226
IO44NB2F2	223
IO44PB2F2	224

CQ352	
AX250 Function	Pin Number
Bank 3	
IO45NB3F3	217
IO45PB3F3	218
IO46NB3F3	219
IO46PB3F3	220
IO47NB3F3	213
IO47PB3F3	214
IO48NB3F3	211
IO48PB3F3	212
IO49NB3F3	207
IO49PB3F3	208
IO51NB3F3	205
IO51PB3F3	206
IO52NB3F3	201
IO52PB3F3	202
IO53NB3F3	199
IO53PB3F3	200
IO54NB3F3	195
IO54PB3F3	196
IO55NB3F3	193
IO55PB3F3	194
IO56NB3F3	187
IO56PB3F3	188
IO57NB3F3	189
IO57PB3F3	190
IO59NB3F3	183
IO59PB3F3	184
IO60NB3F3	181
IO60PB3F3	182
IO61NB3F3	179
IO61PB3F3	180
Bank 4	
IO62NB4F4	172
IO62PB4F4	173
IO64NB4F4	166

CQ352		CQ352		CQ352	
AX250 Function	Pin Number	AX250 Function	Pin Number	AX250 Function	Pin Number
IO64PB4F4	167	IO85PB5F5	105	IO106NB6F6	46
IO65NB4F4	170	IO86NB5F5	98	IO106PB6F6	47
IO65PB4F4	171	IO86PB5F5	99	Bank 7	
IO66NB4F4	164	IO87NB5F5	94	IO107NB7F7	40
IO66PB4F4	165	IO87PB5F5	95	IO107PB7F7	41
IO67NB4F4	160	IO89NB5F5	92	IO108NB7F7	42
IO67PB4F4	161	IO89PB5F5	93	IO108PB7F7	43
IO68NB4F4	158	Bank 6		IO109NB7F7	36
IO68PB4F4	159	IO90PB6F6	86	IO109PB7F7	37
IO70NB4F4	154	IO91NB6F6	84	IO110NB7F7	34
IO70PB4F4	155	IO91PB6F6	85	IO110PB7F7	35
IO72NB4F4	152	IO92NB6F6	78	IO111NB7F7	30
IO72PB4F4	153	IO92PB6F6	79	IO111PB7F7	31
IO73NB4F4	146	IO93NB6F6	82	IO113NB7F7	28
IO73PB4F4	147	IO93PB6F6	83	IO113PB7F7	29
IO74NB4F4/CLKEN	142	IO95NB6F6	76	IO114NB7F7	24
IO74PB4F4/CLKEP	143	IO95PB6F6	77	IO114PB7F7	25
IO75NB4F4/CLKFN	136	IO96NB6F6	72	IO115NB7F7	22
IO75PB4F4/CLKFP	137	IO96PB6F6	73	IO115PB7F7	23
Bank 5		IO97NB6F6	70	IO116NB7F7	18
IO76NB5F5/CLKGN	128	IO97PB6F6	71	IO116PB7F7	19
IO76PB5F5/CLKGP	129	IO98NB6F6	66	IO117NB7F7	16
IO77NB5F5/CLKHN	122	IO98PB6F6	67	IO117PB7F7	17
IO77PB5F5/CLKHP	123	IO99NB6F6	64	IO118NB7F7	12
IO78NB5F5	112	IO99PB6F6	65	IO118PB7F7	13
IO78PB5F5	113	IO100NB6F6	60	IO119NB7F7	10
IO79NB5F5	118	IO100PB6F6	61	IO119PB7F7	11
IO79PB5F5	119	IO101NB6F6	58	IO121NB7F7	6
IO80NB5F5	110	IO101PB6F6	59	IO121PB7F7	7
IO80PB5F5	111	IO103NB6F6	54	IO123NB7F7	4
IO82NB5F5	106	IO103PB6F6	55	IO123PB7F7	5
IO82PB5F5	107	IO104NB6F6	52	Dedicated I/O	
IO84NB5F5	100	IO104PB6F6	53	GND	1
IO84PB5F5	101	IO105NB6F6	48	GND	9
IO85NB5F5	104	IO105PB6F6	49	GND	15

CQ352	
AX250 Function	Pin Number
GND	21
GND	27
GND	33
GND	39
GND	45
GND	51
GND	57
GND	63
GND	69
GND	75
GND	81
GND	88
GND	89
GND	97
GND	103
GND	109
GND	115
GND	121
GND	133
GND	145
GND	151
GND	157
GND	163
GND	169
GND	176
GND	177
GND	186
GND	192
GND	198
GND	204
GND	210
GND	216
GND	222
GND	228
GND	234

CQ352	
AX250 Function	Pin Number
GND	240
GND	246
GND	252
GND	258
GND	264
GND	265
GND	274
GND	280
GND	286
GND	292
GND	298
GND	310
GND	322
GND	330
GND	334
GND	340
GND	345
GND	352
NC	91
NC	117
NC	130
NC	131
NC	148
NC	174
NC	268
NC	294
NC	307
NC	308
NC	327
NC	328
PRA	312
PRB	311
PRC	135
PRD	134
TCK	349

CQ352	
AX250 Function	Pin Number
TDI	348
TDO	347
TMS	350
TRST	351
VCCA	3
VCCA	14
VCCA	32
VCCA	56
VCCA	74
VCCA	87
VCCA	102
VCCA	114
VCCA	150
VCCA	162
VCCA	175
VCCA	191
VCCA	209
VCCA	233
VCCA	251
VCCA	263
VCCA	279
VCCA	291
VCCA	329
VCCA	339
VCCDA	2
VCCDA	44
VCCDA	90
VCCDA	116
VCCDA	132
VCCDA	149
VCCDA	178
VCCDA	221
VCCDA	266
VCCDA	293
VCCDA	309

CQ352	
AX250 Function	Pin Number
VCCDA	346
VCCIB0	321
VCCIB0	333
VCCIB0	344
VCCIB1	273
VCCIB1	285
VCCIB1	297
VCCIB2	227
VCCIB2	239
VCCIB2	245
VCCIB2	257
VCCIB3	185
VCCIB3	197
VCCIB3	203
VCCIB3	215
VCCIB4	144
VCCIB4	156
VCCIB4	168
VCCIB5	96
VCCIB5	108
VCCIB5	120
VCCIB6	50
VCCIB6	62
VCCIB6	68
VCCIB6	80
VCCIB7	8
VCCIB7	20
VCCIB7	26
VCCIB7	38
VCCPLA	317
VCCPLB	315
VCCPLC	303
VCCPLD	301
VCCPLE	140
VCCPLF	138

CQ352	
AX250 Function	Pin Number
VCCPLG	126
VCCPLH	124
VCOMPLA	318
VCOMPLB	316
VCOMPLC	304
VCOMPLD	302
VCOMPLE	141
VCOMPLF	139
VCOMPLG	127
VCOMPLH	125
VPUMP	267

CQ352	
AX500 Function	Pin Number
Bank 0	
IO00PB0F0	343
IO03NB0F0	341
IO03PB0F0	342
IO05NB0F0	337
IO05PB0F0	338
IO07NB0F0	335
IO07PB0F0	336
IO09NB0F0	331
IO09PB0F0	332
IO15NB0F1	325
IO15PB0F1	326
IO17NB0F1	323
IO17PB0F1	324
IO19NB0F1/HCLKAN	319
IO19PB0F1/HCLKAP	320
IO20NB0F1/HCLKBN	313
IO20PB0F1/HCLKBP	314
Bank 1	
IO21NB1F2/HCLKCN	305
IO21PB1F2/HCLKCP	306
IO22NB1F2/HCLKDN	299
IO22PB1F2/HCLKDP	300
IO23NB1F2	289
IO23PB1F2	290
IO24NB1F2	295
IO24PB1F2	296
IO25NB1F2	287
IO25PB1F2	288
IO27NB1F2	283
IO27PB1F2	284
IO29NB1F2	281
IO29PB1F2	282
IO31NB1F2	277
IO31PB1F2	278

CQ352	
AX500 Function	Pin Number
IO35NB1F3	275
IO35PB1F3	276
IO37NB1F3	271
IO37PB1F3	272
IO41NB1F3	269
IO41PB1F3	270
Bank 2	
IO43NB2F4	261
IO43PB2F4	262
IO45NB2F4	259
IO45PB2F4	260
IO47NB2F4	255
IO47PB2F4	256
IO49NB2F4	253
IO49PB2F4	254
IO50NB2F4	247
IO50PB2F4	248
IO51NB2F4	249
IO51PB2F4	250
IO53NB2F5	243
IO53PB2F5	244
IO54NB2F5	241
IO54PB2F5	242
IO55NB2F5	237
IO55PB2F5	238
IO57NB2F5	235
IO57PB2F5	236
IO58NB2F5	231
IO58PB2F5	232
IO59NB2F5	229
IO59PB2F5	230
IO61NB2F5	225
IO61PB2F5	226
IO62NB2F5	223
IO62PB2F5	224

CQ352	
AX500 Function	Pin Number
Bank 3	
IO63NB3F6	217
IO63PB3F6	218
IO64NB3F6	219
IO64PB3F6	220
IO65NB3F6	213
IO65PB3F6	214
IO67NB3F6	207
IO67PB3F6	208
IO68NB3F6	211
IO68PB3F6	212
IO69NB3F6	205
IO69PB3F6	206
IO71NB3F6	201
IO71PB3F6	202
IO73NB3F6	199
IO73PB3F6	200
IO75NB3F7	193
IO75PB3F7	194
IO76NB3F7	195
IO76PB3F7	196
IO77NB3F7	189
IO77PB3F7	190
IO79NB3F7	187
IO79PB3F7	188
IO80NB3F7	183
IO80PB3F7	184
IO81NB3F7	181
IO81PB3F7	182
IO83NB3F7	179
IO83PB3F7	180
Bank 4	
IO85NB4F8	172
IO85PB4F8	173
IO87NB4F8	170

CQ352		CQ352		CQ352	
AX500 Function	Pin Number	AX500 Function	Pin Number	AX500 Function	Pin Number
IO87PB4F8	171	IO119PB5F11	101	IO146NB6F13	46
IO89NB4F8	166	IO121NB5F11	98	IO146PB6F13	47
IO89PB4F8	167	IO121PB5F11	99	Bank 7	
IO94NB4F9	164	IO123NB5F11	94	IO147NB7F14	40
IO94PB4F9	165	IO123PB5F11	95	IO147PB7F14	41
IO95NB4F9	160	IO125NB5F11	92	IO148NB7F14	42
IO95PB4F9	161	IO125PB5F11	93	IO148PB7F14	43
IO97NB4F9	158	Bank 6		IO149NB7F14	36
IO97PB4F9	159	IO126PB6F12	86	IO149PB7F14	37
IO99NB4F9	154	IO127NB6F12	84	IO151NB7F14	30
IO99PB4F9	155	IO127PB6F12	85	IO151PB7F14	31
IO100NB4F9	146	IO129NB6F12	82	IO152NB7F14	34
IO100PB4F9	147	IO129PB6F12	83	IO152PB7F14	35
IO101NB4F9	152	IO131NB6F12	78	IO153NB7F14	28
IO101PB4F9	153	IO131PB6F12	79	IO153PB7F14	29
IO103NB4F9/CLKEN	142	IO133NB6F12	76	IO155NB7F14	24
IO103PB4F9/CLKEP	143	IO133PB6F12	77	IO155PB7F14	25
IO104NB4F9/CLKFN	136	IO134NB6F12	72	IO157NB7F14	22
IO104PB4F9/CLKFP	137	IO134PB6F12	73	IO157PB7F14	23
Bank 5		IO135NB6F12	70	IO159NB7F15	16
IO105NB5F10/CLKGN	128	IO135PB6F12	71	IO159PB7F15	17
IO105PB5F10/CLKGP	129	IO137NB6F13	66	IO160NB7F15	18
IO106NB5F10/CLKHN	122	IO137PB6F13	67	IO160PB7F15	19
IO106PB5F10/CLKHP	123	IO138NB6F13	64	IO161NB7F15	12
IO107NB5F10	118	IO138PB6F13	65	IO161PB7F15	13
IO107PB5F10	119	IO139NB6F13	60	IO163NB7F15	10
IO114NB5F11	112	IO139PB6F13	61	IO163PB7F15	11
IO114PB5F11	113	IO141NB6F13	54	IO165NB7F15	6
IO115NB5F11	110	IO141PB6F13	55	IO165PB7F15	7
IO115PB5F11	111	IO142NB6F13	58	IO167NB7F15	4
IO116NB5F11	106	IO142PB6F13	59	IO167PB7F15	5
IO116PB5F11	107	IO143NB6F13	52	Dedicated I/O	
IO117NB5F11	104	IO143PB6F13	53	GND	1
IO117PB5F11	105	IO145NB6F13	48	GND	9
IO119NB5F11	100	IO145PB6F13	49	GND	15

CQ352	
AX500 Function	Pin Number
GND	21
GND	27
GND	33
GND	39
GND	45
GND	51
GND	57
GND	63
GND	69
GND	75
GND	81
GND	88
GND	89
GND	97
GND	103
GND	109
GND	115
GND	121
GND	133
GND	145
GND	151
GND	157
GND	163
GND	169
GND	176
GND	177
GND	186
GND	192
GND	198
GND	204
GND	210
GND	216
GND	222
GND	228
GND	234

CQ352	
AX500 Function	Pin Number
GND	240
GND	246
GND	252
GND	258
GND	264
GND	265
GND	274
GND	280
GND	286
GND	292
GND	298
GND	310
GND	322
GND	330
GND	334
GND	340
GND	345
GND/LP	352
NC	91
NC	117
NC	130
NC	131
NC	148
NC	174
NC	268
NC	294
NC	307
NC	308
NC	327
NC	328
PRA	312
PRB	311
PRC	135
PRD	134
TCK	349

CQ352	
AX500 Function	Pin Number
TDI	348
TDO	347
TMS	350
TRST	351
VCCA	3
VCCA	14
VCCA	32
VCCA	56
VCCA	74
VCCA	87
VCCA	102
VCCA	114
VCCA	150
VCCA	162
VCCA	175
VCCA	191
VCCA	209
VCCA	233
VCCA	251
VCCA	263
VCCA	279
VCCA	291
VCCA	329
VCCA	339
VCCDA	2
VCCDA	44
VCCDA	90
VCCDA	116
VCCDA	132
VCCDA	149
VCCDA	178
VCCDA	221
VCCDA	266
VCCDA	293
VCCDA	309

CQ352	
AX500 Function	Pin Number
VCCDA	346
VCCIB0	321
VCCIB0	333
VCCIB0	344
VCCIB1	273
VCCIB1	285
VCCIB1	297
VCCIB2	227
VCCIB2	239
VCCIB2	245
VCCIB2	257
VCCIB3	185
VCCIB3	197
VCCIB3	203
VCCIB3	215
VCCIB4	144
VCCIB4	156
VCCIB4	168
VCCIB5	96
VCCIB5	108
VCCIB5	120
VCCIB6	50
VCCIB6	62
VCCIB6	68
VCCIB6	80
VCCIB7	8
VCCIB7	20
VCCIB7	26
VCCIB7	38
VCCPLA	317
VCCPLB	315
VCCPLC	303
VCCPLD	301
VCCPLE	140
VCCPLF	138

CQ352	
AX500 Function	Pin Number
VCCPLG	126
VCCPLH	124
VCOMPLA	318
VCOMPLB	316
VCOMPLC	304
VCOMPLD	302
VCOMPLE	141
VCOMPLF	139
VCOMPLG	127
VCOMPLH	125
VPUMP	267

CQ352		CQ352		CQ352	
AX1000 Function	Pin Number	AX1000 Function	Pin Number	AX1000 Function	Pin Number
Bank 0		IO60NB1F5	275	Bank 3	
IO02NB0F0	341	IO60PB1F5	276	IO96NB3F9	217
IO02PB0F0	342	IO61NB1F5	271	IO96PB3F9	218
IO03PB0F0	343	IO61PB1F5	272	IO97NB3F9	219
IO04NB0F0	337	IO63NB1F5	269	IO97PB3F9	220
IO04PB0F0	338	IO63PB1F5	270	IO99NB3F9	213
IO08NB0F0	331	Bank 2		IO99PB3F9	214
IO08PB0F0	332	IO64NB2F6	259	IO108NB3F10	211
IO09NB0F0	335	IO64PB2F6	260	IO108PB3F10	212
IO09PB0F0	336	IO67NB2F6	261	IO109NB3F10	207
IO24NB0F2	325	IO67PB2F6	262	IO109PB3F10	208
IO24PB0F2	326	IO68NB2F6	255	IO111NB3F10	205
IO25NB0F2	323	IO68PB2F6	256	IO111PB3F10	206
IO25PB0F2	324	IO69NB2F6	253	IO112NB3F10	199
IO30NB0F2/HCLKAN	319	IO69PB2F6	254	IO112PB3F10	200
IO30PB0F2/HCLKAP	320	IO74NB2F7	249	IO113NB3F10	201
IO31NB0F2/HCLKBN	313	IO74PB2F7	250	IO113PB3F10	202
IO31PB0F2/HCLKBP	314	IO75NB2F7	247	IO115NB3F10	195
Bank 1		IO75PB2F7	248	IO115PB3F10	196
IO32NB1F3/HCLKCN	305	IO76NB2F7	243	IO116NB3F10	193
IO32PB1F3/HCLKCP	306	IO76PB2F7	244	IO116PB3F10	194
IO33NB1F3/HCLKDN	299	IO77NB2F7	241	IO117NB3F10	189
IO33PB1F3/HCLKDP	300	IO77PB2F7	242	IO117PB3F10	190
IO38NB1F3	295	IO78NB2F7	237	IO124NB3F11	183
IO38PB1F3	296	IO78PB2F7	238	IO124PB3F11	184
IO54NB1F5	287	IO79NB2F7	235	IO125NB3F11	187
IO54PB1F5	288	IO79PB2F7	236	IO125PB3F11	188
IO55NB1F5	289	IO82NB2F7	231	IO127NB3F11	181
IO55PB1F5	290	IO82PB2F7	232	IO127PB3F11	182
IO56NB1F5	281	IO83NB2F7	229	IO128NB3F11	179
IO56PB1F5	282	IO83PB2F7	230	IO128PB3F11	180
IO57NB1F5	283	IO94NB2F8	225	Bank 4	
IO57PB1F5	284	IO94PB2F8	226	IO130NB4F12	172
IO59NB1F5	277	IO95NB2F8	223	IO130PB4F12	173
IO59PB1F5	278	IO95PB2F8	224	IO131NB4F12	170

CQ352		CQ352		CQ352	
AX1000 Function	Pin Number	AX1000 Function	Pin Number	AX1000 Function	Pin Number
IO131PB4F12	171	IO187PB5F17	99	IO224NB6F20	46
IO132NB4F12	166	IO188NB5F17	100	IO224PB6F20	47
IO132PB4F12	167	IO188PB5F17	101	Bank 7	
IO133NB4F12	164	IO190NB5F17	94	IO225NB7F21	40
IO133PB4F12	165	IO190PB5F17	95	IO225PB7F21	41
IO134NB4F12	160	IO192NB5F17	92	IO226NB7F21	42
IO134PB4F12	161	IO192PB5F17	93	IO226PB7F21	43
IO136NB4F12	158	Bank 6		IO237NB7F22	34
IO136PB4F12	159	IO193PB6F18	86	IO237PB7F22	35
IO137NB4F12	154	IO194NB6F18	84	IO238NB7F22	36
IO137PB4F12	155	IO194PB6F18	85	IO238PB7F22	37
IO138NB4F12	152	IO196NB6F18	78	IO240NB7F22	30
IO138PB4F12	153	IO196PB6F18	79	IO240PB7F22	31
IO153NB4F14	146	IO197NB6F18	82	IO241NB7F22	28
IO153PB4F14	147	IO197PB6F18	83	IO241PB7F22	29
IO159NB4F14/CLKEN	142	IO198NB6F18	76	IO242NB7F22	24
IO159PB4F14/CLKEP	143	IO198PB6F18	77	IO242PB7F22	25
IO160NB4F14/CLKFN	136	IO203NB6F19	72	IO244NB7F22	22
IO160PB4F14/CLKFP	137	IO203PB6F19	73	IO244PB7F22	23
Bank 5		IO204NB6F19	70	IO245NB7F22	18
IO161NB5F15/CLKGN	128	IO204PB6F19	71	IO245PB7F22	19
IO161PB5F15/CLKGP	129	IO205NB6F19	66	IO246NB7F22	16
IO162NB5F15/CLKHN	122	IO205PB6F19	67	IO246PB7F22	17
IO162PB5F15/CLKHP	123	IO206NB6F19	64	IO249NB7F23	12
IO167NB5F15	118	IO206PB6F19	65	IO249PB7F23	13
IO167PB5F15	119	IO207NB6F19	60	IO250NB7F23	10
IO183NB5F17	110	IO207PB6F19	61	IO250PB7F23	11
IO183PB5F17	111	IO208NB6F19	58	IO256NB7F23	4
IO184NB5F17	112	IO208PB6F19	59	IO256PB7F23	5
IO184PB5F17	113	IO211NB6F19	54	IO257NB7F23	6
IO185NB5F17	104	IO211PB6F19	55	IO257PB7F23	7
IO185PB5F17	105	IO212NB6F19	52	Dedicated I/O	
IO186NB5F17	106	IO212PB6F19	53	GND	1
IO186PB5F17	107	IO223NB6F20	48	GND	9
IO187NB5F17	98	IO223PB6F20	49	GND	15

CQ352		CQ352		CQ352	
AX1000 Function	Pin Number	AX1000 Function	Pin Number	AX1000 Function	Pin Number
GND	21	GND	240	VCCA	14
GND	27	GND	246	VCCA	32
GND	33	GND	252	VCCA	56
GND	39	GND	258	VCCA	74
GND	45	GND	264	VCCA	87
GND	51	GND	265	VCCA	102
GND	57	GND	274	VCCA	114
GND	63	GND	280	VCCA	150
GND	69	GND	286	VCCA	162
GND	75	GND	292	VCCA	175
GND	81	GND	298	VCCA	191
GND	88	GND	310	VCCA	209
GND	89	GND	322	VCCA	233
GND	97	GND	330	VCCA	251
GND	103	GND	334	VCCA	263
GND	109	GND	340	VCCA	279
GND	115	GND	345	VCCA	291
GND	121	GND	352	VCCA	329
GND	133	NC	91	VCCA	339
GND	145	NC	130	VCCDA	2
GND	151	NC	131	VCCDA	44
GND	157	NC	174	VCCDA	90
GND	163	NC	268	VCCDA	116
GND	169	NC	307	VCCDA	117
GND	176	NC	308	VCCDA	132
GND	177	PRA	312	VCCDA	148
GND	186	PRB	311	VCCDA	149
GND	192	PRC	135	VCCDA	178
GND	198	PRD	134	VCCDA	221
GND	204	TCK	349	VCCDA	266
GND	210	TDI	348	VCCDA	293
GND	216	TDO	347	VCCDA	294
GND	222	TMS	350	VCCDA	309
GND	228	TRST	351	VCCDA	327
GND	234	VCCA	3	VCCDA	328

CQ352		CQ352	
AX1000 Function	Pin Number	AX1000 Function	Pin Number
VCCDA	346	VCCPLG	126
VCCIB0	321	VCCPLH	124
VCCIB0	333	VCOMPLA	318
VCCIB0	344	VCOMPLB	316
VCCIB1	273	VCOMPLC	304
VCCIB1	285	VCOMPLD	302
VCCIB1	297	VCOMPLE	141
VCCIB2	227	VCOMPLF	139
VCCIB2	239	VCOMPLG	127
VCCIB2	245	VCOMPLH	125
VCCIB2	257	VPUMP	267
VCCIB3	185		
VCCIB3	197		
VCCIB3	203		
VCCIB3	215		
VCCIB4	144		
VCCIB4	156		
VCCIB4	168		
VCCIB5	96		
VCCIB5	108		
VCCIB5	120		
VCCIB6	50		
VCCIB6	62		
VCCIB6	68		
VCCIB6	80		
VCCIB7	8		
VCCIB7	20		
VCCIB7	26		
VCCIB7	38		
VCCPLA	317		
VCCPLB	315		
VCCPLC	303		
VCCPLD	301		
VCCPLE	140		
VCCPLF	138		

CQ352	
AX2000 Function	Pin Number
Bank 0	
IO01NB0F0	341
IO01PB0F0	342
IO02PB0F0	343
IO04NB0F0	337
IO04PB0F0	338
IO05NB0F0	335
IO05PB0F0	336
IO08NB0F0	331
IO08PB0F0	332
IO37NB0F3	325
IO37PB0F3	326
IO38NB0F3	323
IO38PB0F3	324
IO41NB0F3/HCLKAN	319
IO41PB0F3/HCLKAP	320
IO42NB0F3/HCLKBN	313
IO42PB0F3/HCLKBP	314
Bank 1	
IO43NB1F4/HCLKCN	305
IO43PB1F4/HCLKCP	306
IO44NB1F4/HCLKDN	299
IO44PB1F4/HCLKDP	300
IO48NB1F4	295
IO48PB1F4	296
IO65NB1F6	283
IO65PB1F6	284
IO66NB1F6	289
IO66PB1F6	290
IO68NB1F6	287
IO68PB1F6	288
IO69NB1F6	275
IO69PB1F6	276
IO70NB1F6	281
IO70PB1F6	282

CQ352	
AX2000 Function	Pin Number
IO71NB1F6	277
IO71PB1F6	278
IO73NB1F6	269
IO73PB1F6	270
IO74NB1F6	271
IO74PB1F6	272
Bank 2	
IO87NB2F8	261
IO87PB2F8	262
IO88NB2F8	255
IO88PB2F8	256
IO89NB2F8	259
IO89PB2F8	260
IO91NB2F8	253
IO91PB2F8	254
IO99NB2F9	249
IO99PB2F9	250
IO100NB2F9	247
IO100PB2F9	248
IO107NB2F10	243
IO107PB2F10	244
IO110NB2F10	241
IO110PB2F10	242
IO111NB2F10	237
IO111PB2F10	238
IO112NB2F10	235
IO112PB2F10	236
IO113NB2F10	231
IO113PB2F10	232
IO114NB2F10	229
IO114PB2F10	230
IO115NB2F10	225
IO115PB2F10	226
IO117NB2F10	223
IO117PB2F10	224

CQ352	
AX2000 Function	Pin Number
Bank 3	
IO129NB3F12	219
IO129PB3F12	220
IO132NB3F12	217
IO132PB3F12	218
IO137NB3F12	213
IO137PB3F12	214
IO139NB3F13	211
IO139PB3F13	212
IO141NB3F13	205
IO141PB3F13	206
IO142NB3F13	207
IO142PB3F13	208
IO145NB3F13	199
IO145PB3F13	200
IO146NB3F13	201
IO146PB3F13	202
IO147NB3F13	193
IO147PB3F13	194
IO148NB3F13	195
IO148PB3F13	196
IO149NB3F13	189
IO149PB3F13	190
IO161NB3F15	183
IO161PB3F15	184
IO163NB3F15	187
IO163PB3F15	188
IO165NB3F15	181
IO165PB3F15	182
IO167NB3F15	179
IO167PB3F15	180
Bank 4	
IO181NB4F17	172
IO181PB4F17	173
IO182NB4F17	170

CQ352	
AX2000 Function	Pin Number
IO182PB4F17	171
IO183NB4F17	166
IO183PB4F17	167
IO184NB4F17	164
IO184PB4F17	165
IO185NB4F17	160
IO185PB4F17	161
IO190NB4F17	158
IO190PB4F17	159
IO191NB4F17	154
IO191PB4F17	155
IO192NB4F17	152
IO192PB4F17	153
IO207NB4F19	146
IO207PB4F19	147
IO212NB4F19/CLKEN	142
IO212PB4F19/CLKEP	143
IO213NB4F19/CLKFN	136
IO213PB4F19/CLKFP	137
Bank 5	
IO214NB5F20/CLKGN	128
IO214PB5F20/CLKGP	129
IO215NB5F20/CLKHN	122
IO215PB5F20/CLKHP	123
IO217NB5F20	118
IO217PB5F20	119
IO236NB5F22	110
IO236PB5F22	111
IO237NB5F22	112
IO237PB5F22	113
IO238NB5F22	104
IO238PB5F22	105
IO239NB5F22	106
IO239PB5F22	107
IO240NB5F22	100

CQ352	
AX2000 Function	Pin Number
IO240PB5F22	101
IO242NB5F22	94
IO242PB5F22	95
IO243NB5F22	98
IO243PB5F22	99
IO244NB5F22	92
IO244PB5F22	93
Bank 6	
IO257PB6F24	86
IO258NB6F24	84
IO258PB6F24	85
IO261NB6F24	82
IO261PB6F24	83
IO262NB6F24	78
IO262PB6F24	79
IO265NB6F24	76
IO265PB6F24	77
IO279NB6F26	72
IO279PB6F26	73
IO280NB6F26	70
IO280PB6F26	71
IO281NB6F26	66
IO281PB6F26	67
IO282NB6F26	64
IO282PB6F26	65
IO284NB6F26	60
IO284PB6F26	61
IO285NB6F26	58
IO285PB6F26	59
IO286NB6F26	54
IO286PB6F26	55
IO287NB6F26	52
IO287PB6F26	53
IO294NB6F27	48
IO294PB6F27	49

CQ352	
AX2000 Function	Pin Number
IO296NB6F27	46
IO296PB6F27	47
Bank 7	
IO300NB7F28	42
IO300PB7F28	43
IO303NB7F28	40
IO303PB7F28	41
IO310NB7F29	34
IO310PB7F29	35
IO311NB7F29	36
IO311PB7F29	37
IO312NB7F29	28
IO312PB7F29	29
IO315NB7F29	30
IO315PB7F29	31
IO316NB7F29	22
IO316PB7F29	23
IO317NB7F29	24
IO317PB7F29	25
IO318NB7F29	18
IO318PB7F29	19
IO320NB7F29	16
IO320PB7F29	17
IO334NB7F31	10
IO334PB7F31	11
IO335NB7F31	12
IO335PB7F31	13
IO338NB7F31	6
IO338PB7F31	7
IO341NB7F31	4
IO341PB7F31	5
Dedicated I/O	
GND	1
GND	9
GND	15

CQ352		CQ352		CQ352	
AX2000 Function	Pin Number	AX2000 Function	Pin Number	AX2000 Function	Pin Number
GND	21	GND	240	VCCA	150
GND	27	GND	246	VCCA	162
GND	33	GND	252	VCCA	175
GND	39	GND	258	VCCA	191
GND	45	GND	264	VCCA	209
GND	51	GND	265	VCCA	233
GND	57	GND	274	VCCA	251
GND	63	GND	280	VCCA	263
GND	69	GND	286	VCCA	279
GND	75	GND	292	VCCA	291
GND	81	GND	298	VCCA	329
GND	88	GND	310	VCCA	339
GND	89	GND	322	VCCDA	2
GND	97	GND	330	VCCDA	44
GND	103	GND	334	VCCDA	90
GND	109	GND	340	VCCDA	91
GND	115	GND	345	VCCDA	116
GND	121	GND	352	VCCDA	117
GND	133	PRA	312	VCCDA	130
GND	145	PRB	311	VCCDA	131
GND	151	PRC	135	VCCDA	132
GND	157	PRD	134	VCCDA	148
GND	163	TCK	349	VCCDA	149
GND	169	TDI	348	VCCDA	174
GND	176	TDO	347	VCCDA	178
GND	177	TMS	350	VCCDA	221
GND	186	TRST	351	VCCDA	266
GND	192	VCCA	3	VCCDA	268
GND	198	VCCA	14	VCCDA	293
GND	204	VCCA	32	VCCDA	294
GND	210	VCCA	56	VCCDA	307
GND	216	VCCA	74	VCCDA	308
GND	222	VCCA	87	VCCDA	309
GND	228	VCCA	102	VCCDA	327
GND	234	VCCA	114	VCCDA	328

CQ352	
AX2000 Function	Pin Number
VCCDA	346
VCCIB0	321
VCCIB0	333
VCCIB0	344
VCCIB1	273
VCCIB1	285
VCCIB1	297
VCCIB2	227
VCCIB2	239
VCCIB2	245
VCCIB2	257
VCCIB3	185
VCCIB3	197
VCCIB3	203
VCCIB3	215
VCCIB4	144
VCCIB4	156
VCCIB4	168
VCCIB5	96
VCCIB5	108
VCCIB5	120
VCCIB6	50
VCCIB6	62
VCCIB6	68
VCCIB6	80
VCCIB7	8
VCCIB7	20
VCCIB7	26
VCCIB7	38
VCCPLA	317
VCCPLB	315
VCCPLC	303
VCCPLD	301
VCCPLE	140
VCCPLF	138

CQ352	
AX2000 Function	Pin Number
VCCPLG	126
VCCPLH	124
VCOMPLA	318
VCOMPLB	316
VCOMPLC	304
VCOMPLD	302
VCOMPLE	141
VCOMPLF	139
VCOMPLG	127
VCOMPLH	125
VPUMP	267

CG624



Note

For Package Manufacturing and Environmental information, visit Resource center at <http://www.microsemi.com/soc/products/rescenter/package/index.html>.

CG624		CG624		CG624	
AX1000 Function	Pin Number	AX1000 Function	Pin Number	AX1000 Function	Pin Number
Bank 0					
IO00NB0F0	F8	IO23NB0F2	E11	IO42NB1F4	G21
IO00PB0F0	F7	IO23PB0F2	F11	IO42PB1F4	G20
IO02NB0F0	G7	IO24NB0F2	D7	IO43NB1F4	A16
IO02PB0F0	G6	IO24PB0F2	E7	IO43PB1F4	A15
IO04NB0F0	E9	IO25PB0F2	B12	IO44NB1F4	A20
IO04PB0F0	D8	IO26NB0F2	H11	IO44PB1F4	A19
IO06NB0F0	G9	IO26PB0F2	G11	IO45NB1F4	B17
IO06PB0F0	G8	IO27NB0F2	C11	IO45PB1F4	B16
IO07PB0F0	B6	IO27PB0F2	B8	IO46NB1F4	G17
IO08NB0F0	F10	IO28NB0F2	J13	IO46PB1F4	H17
IO08PB0F0	F9	IO28PB0F2	K13	IO47NB1F4	A17
IO09PB0F0	C7	IO29NB0F2	J8	IO48NB1F4	C19
IO10NB0F0	H8	IO29PB0F2	J7	IO48PB1F4	C18
IO10PB0F0	H7	IO30NB0F2/HCLKAN	G13	IO49NB1F4	B20
IO11NB0F0	D10	IO30PB0F2/HCLKAP	G12	IO49PB1F4	B19
IO11PB0F0	D9	IO31NB0F2/HCLKBN	C13	IO50NB1F4	H20
IO12NB0F1	B5	IO31PB0F2/HCLKBP	C12	IO50PB1F4	H19
IO12PB0F1	B4	Bank 1		IO51NB1F4	A22
IO13NB0F1	A7	IO32NB1F3/HCLKCN	G15	IO51PB1F4	A21
IO13PB0F1	A6	IO32PB1F3/HCLKCP	G14	IO52NB1F4	C21
IO14NB0F1	C9	IO33NB1F3/HCLKDN	B14	IO52PB1F4	C20
IO14PB0F1	C8	IO33PB1F3/HCLKDP	B13	IO53NB1F4	B22
IO15PB0F1	B7	IO34NB1F3	G16	IO53PB1F4	B21
IO16NB0F1	A5	IO34PB1F3	H16	IO54NB1F5	J18
IO16PB0F1	A4	IO35NB1F3	C17	IO54PB1F5	J19
IO17NB0F1	A9	IO35PB1F3	B18	IO55NB1F5	D18
IO17PB0F1	B9	IO36NB1F3	H18	IO55PB1F5	D17
IO18NB0F1	D12	IO36PB1F3	H15	IO56NB1F5	F20
IO18PB0F1	D11	IO37NB1F3	H13	IO56PB1F5	F19
IO20NB0F1	B11	IO38NB1F3	E15	IO58NB1F5	E17
IO20PB0F1	B10	IO38PB1F3	F15	IO58PB1F5	F17
IO21NB0F1	A11	IO39NB1F3	D14	IO60NB1F5	D20
IO21PB0F1	A10	IO39PB1F3	C14	IO60PB1F5	D19
IO22NB0F2	H10	IO40NB1F3	D16	IO62NB1F5	E18
IO22PB0F2	H9	IO40PB1F3	D15	IO62PB1F5	F18
		IO41NB1F4	F16	IO63NB1F5	G19

CG624	
AX1000 Function	Pin Number
IO63PB1F5	G18
Bank 2	
IO64NB2F6	M17
IO64PB2F6	G22
IO65NB2F6	J21
IO65PB2F6	J20
IO66NB2F6	L23
IO66PB2F6	K20
IO67NB2F6	F23
IO67PB2F6	E23
IO68NB2F6	L18
IO68PB2F6	K18
IO70NB2F6	E24
IO70PB2F6	D24
IO71NB2F6	H23
IO71PB2F6	G23
IO72NB2F6	L19
IO72PB2F6	K19
IO74NB2F7	J22
IO74PB2F7	H22
IO75NB2F7	N23
IO75PB2F7	M23
IO76NB2F7	N17
IO76PB2F7	N16
IO77NB2F7	L22
IO77PB2F7	K22
IO78NB2F7	M19
IO78PB2F7	M18
IO79NB2F7	N19
IO79PB2F7	N18
IO80NB2F7	L21
IO80PB2F7	L20
IO82NB2F7	P18
IO82PB2F7	P17
IO83NB2F7	N22
IO83PB2F7	M22

CG624	
AX1000 Function	Pin Number
IO84NB2F7	M20
IO84PB2F7	M21
IO86NB2F8	E25
IO86PB2F8	D25
IO87NB2F8	L24
IO87PB2F8	K24
IO88NB2F8	G24
IO88PB2F8	F24
IO89NB2F8	J25
IO90NB2F8	G25
IO90PB2F8	F25
IO91NB2F8	L25
IO91PB2F8	K25
IO92NB2F8	J24
IO92PB2F8	H24
IO93PB2F8	J23
IO94NB2F8	N24
IO94PB2F8	M24
IO95NB2F8	N25
IO95PB2F8	M25
Bank 3	
IO96NB3F9	T18
IO96PB3F9	R18
IO97NB3F9	N20
IO97PB3F9	P24
IO98NB3F9	P20
IO98PB3F9	P19
IO99NB3F9	P21
IO100NB3F9	T22
IO100PB3F9	W24
IO101NB3F9	R22
IO101PB3F9	P22
IO102NB3F9	U19
IO102PB3F9	T19
IO104NB3F9	V20
IO104PB3F9	U20

CG624	
AX1000 Function	Pin Number
IO105NB3F9	R23
IO105PB3F9	P23
IO106NB3F9	R19
IO106PB3F9	R20
IO107NB3F10	AB24
IO108NB3F10	R25
IO108PB3F10	P25
IO109NB3F10	U25
IO109PB3F10	T25
IO110NB3F10	U24
IO110PB3F10	U23
IO112NB3F10	T24
IO112PB3F10	R24
IO113NB3F10	Y25
IO113PB3F10	W25
IO114NB3F10	V23
IO114PB3F10	V24
IO116NB3F10	AA24
IO116PB3F10	Y24
IO117NB3F10	AB25
IO117PB3F10	AA25
IO118NB3F11	T20
IO118PB3F11	R21
IO120NB3F11	W22
IO120PB3F11	W23
IO122NB3F11	V22
IO122PB3F11	U22
IO124NB3F11	Y23
IO124PB3F11	AA23
IO126NB3F11	V21
IO126PB3F11	U21
IO128NB3F11	Y22
IO128PB3F11	Y21
Bank 4	
IO129NB4F12	W20
IO129PB4F12	Y20

CG624		CG624		CG624	
AX1000 Function	Pin Number	AX1000 Function	Pin Number	AX1000 Function	Pin Number
IO131NB4F12	V19	IO153NB4F14	Y15	IO173PB5F16	Y11
IO131PB4F12	W19	IO153PB4F14	Y16	IO174NB5F16	AB10
IO133NB4F12	Y18	IO155NB4F14	V15	IO174PB5F16	AB11
IO133PB4F12	Y19	IO155PB4F14	V16	IO175NB5F16	AC9
IO135NB4F12	W18	IO156NB4F14	AB14	IO175PB5F16	AE9
IO135PB4F12	V18	IO156PB4F14	AB15	IO177NB5F16	AA8
IO137NB4F12	Y17	IO157NB4F14	AE14	IO177PB5F16	Y8
IO137PB4F12	AA17	IO157PB4F14	AC18	IO178NB5F16	Y6
IO138NB4F12	AB19	IO158NB4F14	AC15	IO178PB5F16	W6
IO138PB4F12	AB18	IO158PB4F14	AC19	IO179NB5F16	Y10
IO139NB4F13	AA19	IO159NB4F14/CLKEN	W14	IO179PB5F16	W10
IO139PB4F13	U18	IO159PB4F14/CLKEP	W15	IO180NB5F16	Y7
IO140NB4F13	AC20	IO160NB4F14/CLKFN	AC13	IO180PB5F16	W7
IO140PB4F13	AC21	IO160PB4F14/CLKFP	AD13	IO181NB5F17	AD9
IO141NB4F13	AD17	Bank 5		IO181PB5F17	AD10
IO141PB4F13	AD18	IO161NB5F15/CLKGN	W13	IO182NB5F17	AE10
IO142NB4F13	AD21	IO161PB5F15/CLKGP	Y13	IO182PB5F17	AE11
IO142PB4F13	AD22	IO162NB5F15/CLKHN	AC12	IO183NB5F17	AD7
IO143NB4F13	AB17	IO162PB5F15/CLKHP	AD12	IO183PB5F17	AD8
IO143PB4F13	AC17	IO163NB5F15	V9	IO184NB5F17	AB9
IO144PB4F13	AE22	IO163PB5F15	V10	IO185NB5F17	AE6
IO145NB4F13	AE15	IO164NB5F15	V11	IO185PB5F17	AE7
IO145PB4F13	AE16	IO164PB5F15	T13	IO186NB5F17	AE4
IO146NB4F13	AD19	IO165NB5F15	U13	IO186PB5F17	AE5
IO146PB4F13	AD20	IO165PB5F15	V13	IO187NB5F17	AA9
IO147NB4F13	AD15	IO167NB5F15	W11	IO187PB5F17	Y9
IO147PB4F13	AD16	IO167PB5F15	W12	IO188NB5F17	U8
IO148PB4F13	AE21	IO168NB5F15	AB6	IO189NB5F17	AD5
IO149NB4F13	AD14	IO168PB5F15	AA6	IO189PB5F17	AD6
IO149PB4F13	AC14	IO169NB5F15	V8	IO191NB5F17	AC5
IO150NB4F13	AE19	IO169PB5F15	V7	IO191PB5F17	AC6
IO150PB4F13	AE20	IO171NB5F16	W8	IO192NB5F17	AB7
IO151NB4F13	V17	IO171PB5F16	W9	IO192PB5F17	AC7
IO151PB4F13	W17	IO172NB5F16	AB8	Bank 6	
IO152NB4F14	AB16	IO172PB5F16	AC8	IO193NB6F18	U6
IO152PB4F14	W16	IO173NB5F16	AA11	IO193PB6F18	U5

CG624		CG624		CG624	
AX1000 Function	Pin Number	AX1000 Function	Pin Number	AX1000 Function	Pin Number
IO194NB6F18	Y3	IO215PB6F20	V4	IO237NB7F22	N8
IO194PB6F18	AA3	IO216NB6F20	P8	IO237PB7F22	N7
IO195NB6F18	V6	IO216PB6F20	R3	IO238NB7F22	M5
IO195PB6F18	W4	IO217NB6F20	P7	IO239NB7F22	L6
IO197NB6F18	R5	IO217PB6F20	R7	IO239PB7F22	L5
IO197PB6F18	U3	IO219NB6F20	R4	IO240NB7F22	M4
IO198NB6F18	P6	IO219PB6F20	T4	IO241NB7F22	L7
IO199NB6F18	Y5	IO220NB6F20	P2	IO241PB7F22	M7
IO199PB6F18	W5	IO220PB6F20	R2	IO242NB7F22	J3
IO200NB6F18	V3	IO221NB6F20	N4	IO243NB7F22	M9
IO200PB6F18	W3	IO221PB6F20	P4	IO243PB7F22	M8
IO201NB6F18	T7	IO223NB6F20	M2	IO244NB7F22	P9
IO201PB6F18	U7	IO223PB6F20	N2	IO244PB7F22	N6
IO202NB6F18	V2	IO224NB6F20	N3	IO245NB7F22	K8
IO203NB6F19	W2	IO224PB6F20	P3	IO245PB7F22	L8
IO203PB6F19	Y2	Bank 7		IO246NB7F22	F3
IO204NB6F19	AA1	IO225NB7F21	J2	IO246PB7F22	E3
IO204PB6F19	AB1	IO225PB7F21	J1	IO247NB7F23	K7
IO205NB6F19	R6	IO226PB7F21	G2	IO247PB7F23	K6
IO205PB6F19	T6	IO227NB7F21	H3	IO248NB7F23	D2
IO206NB6F19	W1	IO227PB7F21	H2	IO249NB7F23	G4
IO206PB6F19	Y1	IO229NB7F21	K2	IO249PB7F23	G3
IO207NB6F19	T2	IO229PB7F21	L2	IO251NB7F23	N10
IO207PB6F19	U2	IO230NB7F21	K1	IO251PB7F23	N9
IO208NB6F19	T1	IO230PB7F21	L1	IO253NB7F23	H4
IO208PB6F19	U1	IO231NB7F21	E2	IO253PB7F23	J4
IO209NB6F19	AA2	IO231PB7F21	F2	IO255NB7F23	J6
IO209PB6F19	AB2	IO232NB7F21	F1	IO255PB7F23	J5
IO210NB6F19	P5	IO232PB7F21	G1	IO257NB7F23	H5
IO211NB6F19	M1	IO233NB7F21	L3	IO257PB7F23	H6
IO211PB6F19	N1	IO233PB7F21	M3	Dedicated I/O	
IO212NB6F19	P1	IO234NB7F21	D1	GND	K5
IO212PB6F19	R1	IO234PB7F21	E1	GND	A18
IO213NB6F19	R8	IO235NB7F21	K4	GND	A2
IO213PB6F19	T8	IO235PB7F21	L4	GND	A24
IO215NB6F20	U4	IO236NB7F22	M6	GND	A25

CG624		CG624		CG624	
AX1000 Function	Pin Number	AX1000 Function	Pin Number	AX1000 Function	Pin Number
GND	A8	GND/LP	E8	GND	V1
GND	AA10	GND	H1	GND	V25
GND	AA16	GND	H21	GND	V5
GND	AA18	GND	H25	NC	A14
GND	AA21	GND	K21	NC	AA20
GND	AA5	GND	K23	NC	AB13
GND	AB22	GND	K3	NC	AD4
GND	AB4	GND	L11	NC	AE12
GND	AC10	GND	L12	NC	F21
GND	AC16	GND	L13	NC	G10
GND	AC23	GND	L14	PRA	F13
GND	AC3	GND	L15	PRB	A13
GND	AD1	GND	M11	PRC	AB12
GND	AD2	GND	M12	PRD	AE13
GND	AD24	GND	M13	TCK	F5
GND	AD25	GND	M14	TDI	C5
GND	AE1	GND	M15	TDO	F6
GND	AE18	GND	N11	TMS	D6
GND	AE2	GND	N12	TRST	E6
GND	AE24	GND	N13	VCCA	AB20
GND	AE25	GND	N14	VCCA	F22
GND	AE8	GND	N15	VCCA	F4
GND	B1	GND	P11	VCCA	J17
GND	B2	GND	P12	VCCA	J9
GND	B24	GND	P13	VCCA	K10
GND	B25	GND	P14	VCCA	K11
GND	C10	GND	P15	VCCA	K15
GND	C16	GND	R11	VCCA	K16
GND	C23	GND	R12	VCCA	L10
GND	C3	GND	R13	VCCA	L16
GND	D22	GND	R14	VCCA	R10
GND	D4	GND	R15	VCCA	R16
GND	E10	GND	T21	VCCA	T10
GND	E16	GND	T23	VCCA	T11
GND	E21	GND	T3	VCCA	T15
GND	E5	GND	T5	VCCA	T16

CG624	
AX1000 Function	Pin Number
VCCA	U17
VCCA	U9
VCCA	Y4
VCCDA	A12
VCCDA	AA13
VCCDA	AA15
VCCDA	AA7
VCCDA	AC11
VCCDA	AD11
VCCDA	AE17
VCCDA	B15
VCCDA	C15
VCCDA	C6
VCCDA	D13
VCCDA	E13
VCCDA	E19
VCCDA	G5
VCCDA	N21
VCCDA	N5
VCCDA	W21
VCCIB0	A3
VCCIB0	B3
VCCIB0	C4
VCCIB0	D5
VCCIB0	J10
VCCIB0	J11
VCCIB0	K12
VCCIB1	A23
VCCIB1	B23
VCCIB1	C22
VCCIB1	D21
VCCIB1	J15
VCCIB1	J16
VCCIB1	K14
VCCIB2	C24
VCCIB2	C25

CG624	
AX1000 Function	Pin Number
VCCIB2	D23
VCCIB2	E22
VCCIB2	K17
VCCIB2	L17
VCCIB2	M16
VCCIB3	AA22
VCCIB3	AB23
VCCIB3	AC24
VCCIB3	AC25
VCCIB3	P16
VCCIB3	R17
VCCIB3	T17
VCCIB4	AB21
VCCIB4	AC22
VCCIB4	AD23
VCCIB4	AE23
VCCIB4	T14
VCCIB4	U15
VCCIB4	U16
VCCIB5	AB5
VCCIB5	AC4
VCCIB5	AD3
VCCIB5	AE3
VCCIB5	T12
VCCIB5	U10
VCCIB5	U11
VCCIB6	AA4
VCCIB6	AB3
VCCIB6	AC1
VCCIB6	AC2
VCCIB6	P10
VCCIB6	R9
VCCIB6	T9
VCCIB7	C1
VCCIB7	C2
VCCIB7	D3

CG624	
AX1000 Function	Pin Number
VCCIB7	E4
VCCIB7	K9
VCCIB7	L9
VCCIB7	M10
VCCPLA	E12
VCCPLB	J12
VCCPLC	E14
VCCPLD	H14
VCCPLE	Y14
VCCPLF	U14
VCCPLG	Y12
VCCPLH	U12
VCOMPLA	F12
VCOMPLB	H12
VCOMPLC	F14
VCOMPLD	J14
VCOMPLE	AA14
VCOMPLF	V14
VCOMPLG	AA12
VCOMPLH	V12
VPUMP	E20

CG624	
AX2000 Function	Pin Number
Bank 0	
IO00NB0F0	D7*
IO00PB0F0	E7*
IO01NB0F0	G7
IO01PB0F0	G6
IO02NB0F0	B5
IO02PB0F0	B4
IO04PB0F0	C7
IO05NB0F0	F8
IO05PB0F0	F7
IO06NB0F0	H8
IO06PB0F0	H7
IO11NB0F0	J8
IO11PB0F0	J7
IO12PB0F1	B6
IO13NB0F1	E9*
IO13PB0F1	D8*
IO15NB0F1	C9
IO15PB0F1	C8
IO16NB0F1	A5
IO16PB0F1	A4
IO17NB0F1	D10
IO17PB0F1	D9
IO18NB0F1	A7
IO18PB0F1	A6
IO19NB0F1	G9
IO19PB0F1	G8
IO20PB0F1	B7
IO23NB0F2	F10
IO23PB0F2	F9
IO26NB0F2	C11*
IO26PB0F2	B8*

Note: *Not routed on the same package layer and to adjacent LGA pads as its differential pair complement. Recommended to be used as a single-ended I/O.

CG624	
AX2000 Function	Pin Number
IO27NB0F2	H10
IO27PB0F2	H9
IO28NB0F2	A9
IO28PB0F2	B9
IO30NB0F2	B11
IO30PB0F2	B10
IO31NB0F2	E11
IO31PB0F2	F11
IO33NB0F2	D12
IO33PB0F2	D11
IO34NB0F3	A11
IO34PB0F3	A10
IO37NB0F3	J13
IO37PB0F3	K13
IO38NB0F3	H11
IO38PB0F3	G11
IO40PB0F3	B12
IO41NB0F3/HCLKAN	G13
IO41PB0F3/HCLKAP	G12
IO42NB0F3/HCLKBN	C13
IO42PB0F3/HCLKBP	C12
Bank 1	
IO43NB1F4/HCLKCN	G15
IO43PB1F4/HCLKCP	G14
IO44NB1F4/HCLKDN	B14
IO44PB1F4/HCLKDP	B13
IO45NB1F4	H13
IO47NB1F4	D14
IO47PB1F4	C14
IO48NB1F4	A16
IO48PB1F4	A15
IO49PB1F4	H15

Note: *Not routed on the same package layer and to adjacent LGA pads as its differential pair complement. Recommended to be used as a single-ended I/O.

CG624	
AX2000 Function	Pin Number
IO51NB1F4	E15
IO51PB1F4	F15
IO52NB1F4	A17
IO55NB1F5	G16
IO55PB1F5	H16
IO56NB1F5	A20
IO56PB1F5	A19
IO57NB1F5	D16
IO57PB1F5	D15
IO58NB1F5	A22
IO58PB1F5	A21
IO59NB1F5	F16
IO61NB1F5	G17
IO61PB1F5	H17
IO62NB1F5	B17
IO62PB1F5	B16
IO63NB1F5	H18
IO65NB1F6	C17
IO66PB1F6	B18
IO67NB1F6	J18
IO67PB1F6	J19
IO68NB1F6	B20
IO68PB1F6	B19
IO69NB1F6	E17
IO69PB1F6	F17
IO70NB1F6	B22
IO70PB1F6	B21
IO71PB1F6	G18
IO73NB1F6	G19
IO74NB1F6	C19
IO74PB1F6	C18
IO75NB1F6	D18

Note: *Not routed on the same package layer and to adjacent LGA pads as its differential pair complement. Recommended to be used as a single-ended I/O.

CG624	
AX2000 Function	Pin Number
IO75PB1F6	D17
IO76NB1F7	C21
IO76PB1F7	C20
IO79NB1F7	H20
IO79PB1F7	H19
IO80NB1F7	E18
IO80PB1F7	F18
IO81NB1F7	G21
IO81PB1F7	G20
IO82NB1F7	F20
IO82PB1F7	F19
IO85NB1F7	D20*
IO85PB1F7	D19*
Bank 2	
IO86NB2F8	F23
IO86PB2F8	E23
IO87NB2F8	H23
IO87PB2F8	G23
IO88NB2F8	E24
IO88PB2F8	D24
IO89NB2F8	M17*
IO89PB2F8	G22*
IO91NB2F8	J22
IO91PB2F8	H22
IO92NB2F8	L18
IO92PB2F8	K18
IO96NB2F9	G24
IO96PB2F9	F24
IO97NB2F9	J21
IO97PB2F9	J20
IO98PB2F9	J23
IO99NB2F9	L19

Note: *Not routed on the same package layer and to adjacent LGA pads as its differential pair complement. Recommended to be used as a single-ended I/O.

CG624	
AX2000 Function	Pin Number
IO99PB2F9	K19
IO100NB2F9	E25
IO100PB2F9	D25
IO103PB2F9	K20
IO105NB2F9	M19
IO105PB2F9	M18
IO106NB2F9	J24
IO106PB2F9	H24
IO107NB2F10	L23*
IO107PB2F10	N16*
IO109NB2F10	L22
IO109PB2F10	K22
IO110NB2F10	G25
IO110PB2F10	F25
IO111NB2F10	L21
IO111PB2F10	L20
IO112NB2F10	L24
IO112PB2F10	K24
IO113NB2F10	N17
IO115NB2F10	M20
IO115PB2F10	M21
IO117NB2F10	N19
IO117PB2F10	N18
IO118NB2F11	J25
IO121NB2F11	N24
IO121PB2F11	M24
IO122NB2F11	L25
IO122PB2F11	K25
IO123NB2F11	N22
IO123PB2F11	M22
IO124NB2F11	N23
IO124PB2F11	M23

Note: *Not routed on the same package layer and to adjacent LGA pads as its differential pair complement. Recommended to be used as a single-ended I/O.

CG624	
AX2000 Function	Pin Number
IO127NB2F11	P18
IO127PB2F11	P17
IO128NB2F11	N25
IO128PB2F11	M25
Bank 3	
IO129NB3F12	N20
IO130PB3F12	P24
IO131NB3F12	P21
IO133NB3F12	P20
IO133PB3F12	P19
IO138NB3F12	R23
IO138PB3F12	P23
IO139NB3F13	R22
IO139PB3F13	P22
IO141NB3F13	R19
IO142NB3F13	R25
IO142PB3F13	P25
IO143PB3F13	R21
IO145NB3F13	T18
IO145PB3F13	R18
IO146NB3F13	T24
IO146PB3F13	R24
IO147NB3F13	T20
IO147PB3F13	R20
IO148NB3F13	U25
IO148PB3F13	T25
IO149NB3F13	T22
IO153NB3F14	U19
IO153PB3F14	T19
IO154NB3F14	Y25
IO154PB3F14	W25
IO157NB3F14	V20

Note: *Not routed on the same package layer and to adjacent LGA pads as its differential pair complement. Recommended to be used as a single-ended I/O.

CG624	
AX2000 Function	Pin Number
IO157PB3F14	U20
IO158NB3F14	AB25
IO158PB3F14	AA25
IO160PB3F14	W24
IO161NB3F15	U24
IO161PB3F15	U23
IO162NB3F15	AA24
IO162PB3F15	Y24
IO163NB3F15	V22
IO163PB3F15	U22
IO164NB3F15	V23
IO164PB3F15	V24
IO166NB3F15	AB24
IO167NB3F15	V21
IO167PB3F15	U21
IO168NB3F15	Y23
IO168PB3F15	AA23
IO169NB3F15	W22*
IO169PB3F15	W23*
IO170NB3F15	Y22
IO170PB3F15	Y21
Bank 4	
IO171NB4F16	AC20*
IO171PB4F16	AC21*
IO172NB4F16	W20
IO172PB4F16	Y20
IO173NB4F16	AD21
IO173PB4F16	AD22
IO174NB4F16	AA19
IO176NB4F16	Y18
IO176PB4F16	Y19
IO177NB4F16	AB19

Note: *Not routed on the same package layer and to adjacent LGA pads as its differential pair complement. Recommended to be used as a single-ended I/O.

CG624	
AX2000 Function	Pin Number
IO177PB4F16	AB18
IO182NB4F17	V19
IO182PB4F17	W19
IO183PB4F17	AC19
IO184NB4F17	AB17
IO184PB4F17	AC17
IO185NB4F17	AD19
IO185PB4F17	AD20
IO187PB4F17	AC18
IO188NB4F17	Y17
IO188PB4F17	AA17
IO189PB4F17	AE22
IO191NB4F17	W18
IO191PB4F17	V18
IO192PB4F17	U18
IO195PB4F18	AE21
IO196NB4F18	AB16
IO197NB4F18	AD17
IO197PB4F18	AD18
IO198NB4F18	V17
IO198PB4F18	W17
IO199NB4F18	AE19
IO199PB4F18	AE20
IO200NB4F18	AC15
IO201NB4F18	AD15
IO201PB4F18	AD16
IO202NB4F18	Y15
IO202PB4F18	Y16
IO206NB4F19	AB14
IO206PB4F19	AB15
IO207NB4F19	AE15
IO207PB4F19	AE16

Note: *Not routed on the same package layer and to adjacent LGA pads as its differential pair complement. Recommended to be used as a single-ended I/O.

CG624	
AX2000 Function	Pin Number
IO208PB4F19	W16
IO209NB4F19	AE14
IO210NB4F19	V15
IO210PB4F19	V16
IO211NB4F19	AD14
IO211PB4F19	AC14
IO212NB4F19/CLKEN	W14
IO212PB4F19/CLKEP	W15
IO213NB4F19/CLKFN	AC13
IO213PB4F19/CLKFP	AD13
Bank 5	
IO214NB5F20/CLKGN	W13
IO214PB5F20/CLKGP	Y13
IO215NB5F20/CLKHN	AC12
IO215PB5F20/CLKHP	AD12
IO216NB5F20	U13
IO216PB5F20	V13
IO217NB5F20	AE10
IO217PB5F20	AE11
IO218NB5F20	W11
IO218PB5F20	W12
IO222NB5F20	AA11
IO222PB5F20	Y11
IO223PB5F21	AE9
IO225NB5F21	AE6
IO225PB5F21	AE7
IO226NB5F21	Y10
IO226PB5F21	W10
IO227PB5F21	T13
IO228NB5F21	AB10
IO228PB5F21	AB11
IO229NB5F21	AD9

Note: *Not routed on the same package layer and to adjacent LGA pads as its differential pair complement. Recommended to be used as a single-ended I/O.

CG624	
AX2000 Function	Pin Number
IO229PB5F21	AD10
IO230NB5F21	V11
IO233NB5F21	AD7
IO233PB5F21	AD8
IO234NB5F21	V9
IO234PB5F21	V10
IO236NB5F22	AC9
IO238NB5F22	W8
IO238PB5F22	W9
IO239NB5F22	AE4
IO239PB5F22	AE5
IO240NB5F22	AB9
IO242NB5F22	AA9
IO242PB5F22	Y9
IO243NB5F22	AD5
IO243PB5F22	AD6
IO244NB5F22	U8
IO246NB5F23	AB8
IO246PB5F23	AC8
IO247NB5F23	AB7
IO247PB5F23	AC7
IO250NB5F23	AA8
IO250PB5F23	Y8
IO251NB5F23	V8
IO251PB5F23	V7
IO252NB5F23	Y7
IO252PB5F23	W7
IO253NB5F23	AC5
IO253PB5F23	AC6
IO254NB5F23	Y6
IO254PB5F23	W6
IO256NB5F23	AB6*

Note: *Not routed on the same package layer and to adjacent LGA pads as its differential pair complement. Recommended to be used as a single-ended I/O.

CG624	
AX2000 Function	Pin Number
IO256PB5F23	AA6*
Bank 6	
IO257NB6F24	Y3
IO257PB6F24	AA3
IO258NB6F24	V3
IO258PB6F24	W3
IO259NB6F24	AA2
IO259PB6F24	AB2
IO260NB6F24	V6*
IO260PB6F24	W4*
IO262NB6F24	U4
IO262PB6F24	V4
IO263NB6F24	Y5
IO263PB6F24	W5
IO268NB6F25	U6
IO268PB6F25	U5
IO269PB6F25	U3
IO272NB6F25	T2
IO272PB6F25	U2
IO273NB6F25	W2
IO273PB6F25	Y2
IO274NB6F25	R6
IO274PB6F25	T6
IO275NB6F25	T7
IO275PB6F25	U7
IO277NB6F25	V2
IO278NB6F26	R4
IO278PB6F26	T4
IO279PB6F26	R3
IO280NB6F26	R5
IO281NB6F26	AA1
IO281PB6F26	AB1

Note: *Not routed on the same package layer and to adjacent LGA pads as its differential pair complement. Recommended to be used as a single-ended I/O.

CG624	
AX2000 Function	Pin Number
IO284NB6F26	R8
IO284PB6F26	T8
IO285NB6F26	W1
IO285PB6F26	Y1
IO286NB6F26	P2
IO286PB6F26	R2
IO287NB6F26	T1
IO287PB6F26	U1
IO288NB6F26	P5
IO290NB6F27	P6
IO291NB6F27	P1
IO291PB6F27	R1
IO292NB6F27	P7
IO292PB6F27	R7
IO293NB6F27	M1
IO293PB6F27	N1
IO294NB6F27	P8
IO296NB6F27	N3
IO296PB6F27	P3
IO298NB6F27	N4
IO298PB6F27	P4
IO299NB6F27	M2
IO299PB6F27	N2
Bank 7	
IO300NB7F28	P9*
IO300PB7F28	N6*
IO302NB7F28	M6
IO304NB7F28	N8
IO304PB7F28	N7
IO308NB7F28	M4
IO309NB7F28	L3
IO309PB7F28	M3

Note: *Not routed on the same package layer and to adjacent LGA pads as its differential pair complement. Recommended to be used as a single-ended I/O.

CG624	
AX2000 Function	Pin Number
IO310NB7F29	N10
IO310PB7F29	N9
IO311NB7F29	K1
IO311PB7F29	L1
IO313NB7F29	M5
IO316NB7F29	L6
IO316PB7F29	L5
IO317NB7F29	K2
IO317PB7F29	L2
IO318NB7F29	K4
IO318PB7F29	L4
IO320NB7F29	J3
IO321NB7F30	J2
IO321PB7F30	J1
IO323NB7F30	L7
IO323PB7F30	M7
IO324NB7F30	M9
IO324PB7F30	M8
IO327NB7F30	F1
IO327PB7F30	G1
IO328NB7F30	K7
IO328PB7F30	K6
IO329NB7F30	D1
IO329PB7F30	E1
IO331PB7F30	G2
IO332NB7F31	H3
IO332PB7F31	H2
IO333NB7F31	E2
IO333PB7F31	F2
IO334NB7F31	H4
IO334PB7F31	J4
IO335NB7F31	H5

Note: *Not routed on the same package layer and to adjacent LGA pads as its differential pair complement. Recommended to be used as a single-ended I/O.

CG624	
AX2000 Function	Pin Number
IO335PB7F31	H6
IO337NB7F31	D2
IO338NB7F31	J6
IO338PB7F31	J5
IO339NB7F31	F3
IO339PB7F31	E3
IO340NB7F31	G4*
IO340PB7F31	G3*
IO341NB7F31	K8
IO341PB7F31	L8
Dedicated I/O	
GND	K5
GND	A18
GND	A2
GND	A24
GND	A25
GND	A8
GND	AA10
GND	AA16
GND	AA18
GND	AA21
GND	AA5
GND	AB22
GND	AB4
GND	AC10
GND	AC16
GND	AC23
GND	AC3
GND	AD1
GND	AD2
GND	AD24
GND	AD25

Note: *Not routed on the same package layer and to adjacent LGA pads as its differential pair complement. Recommended to be used as a single-ended I/O.

CG624	
AX2000 Function	Pin Number
GND	AE1
GND	AE18
GND	AE2
GND	AE24
GND	AE25
GND	AE8
GND	B1
GND	B2
GND	B24
GND	B25
GND	C10
GND	C16
GND	C23
GND	C3
GND	D22
GND	D4
GND	E10
GND	E16
GND	E21
GND	E5
GND	E8
GND	H1
GND	H21
GND	H25
GND	K21
GND	K23
GND	K3
GND	L11
GND	L12
GND	L13
GND	L14
GND	L15

Note: *Not routed on the same package layer and to adjacent LGA pads as its differential pair complement. Recommended to be used as a single-ended I/O.

CG624	
AX2000 Function	Pin Number
GND	M11
GND	M12
GND	M13
GND	M14
GND	M15
GND	N11
GND	N12
GND	N13
GND	N14
GND	N15
GND	P11
GND	P12
GND	P13
GND	P14
GND	P15
GND	R11
GND	R12
GND	R13
GND	R14
GND	R15
GND	T21
GND	T23
GND	T3
GND	T5
GND	V1
GND	V25
GND	V5
PRA	F13
PRB	A13
PRC	AB12
PRD	AE13
TCK	F5

Note: *Not routed on the same package layer and to adjacent LGA pads as its differential pair complement. Recommended to be used as a single-ended I/O.

CG624	
AX2000 Function	Pin Number
TDI	C5
TDO	F6
TMS	D6
TRST	E6
VCCA	AB20
VCCA	F22
VCCA	F4
VCCA	J17
VCCA	J9
VCCA	K10
VCCA	K11
VCCA	K15
VCCA	K16
VCCA	L10
VCCA	L16
VCCA	R10
VCCA	R16
VCCA	T10
VCCA	T11
VCCA	T15
VCCA	T16
VCCA	U17
VCCA	U9
VCCA	Y4
VCCDA	A12
VCCDA	A14
VCCDA	AA13
VCCDA	AA15
VCCDA	AA20
VCCDA	AA7
VCCDA	AB13
VCCDA	AC11

Note: *Not routed on the same package layer and to adjacent LGA pads as its differential pair complement. Recommended to be used as a single-ended I/O.

CG624	
AX2000 Function	Pin Number
VCCDA	AD11
VCCDA	AD4
VCCDA	AE12
VCCDA	AE17
VCCDA	B15
VCCDA	C15
VCCDA	C6
VCCDA	D13
VCCDA	E13
VCCDA	E19
VCCDA	F21
VCCDA	G10
VCCDA	G5
VCCDA	N21
VCCDA	N5
VCCDA	W21
VCCIB0	A3
VCCIB0	B3
VCCIB0	C4
VCCIB0	D5
VCCIB0	J10
VCCIB0	J11
VCCIB0	K12
VCCIB1	A23
VCCIB1	B23
VCCIB1	C22
VCCIB1	D21
VCCIB1	J15
VCCIB1	J16
VCCIB1	K14
VCCIB2	C24
VCCIB2	C25

Note: *Not routed on the same package layer and to adjacent LGA pads as its differential pair complement. Recommended to be used as a single-ended I/O.

CG624	
AX2000 Function	Pin Number
VCCIB2	D23
VCCIB2	E22
VCCIB2	K17
VCCIB2	L17
VCCIB2	M16
VCCIB3	AA22
VCCIB3	AB23
VCCIB3	AC24
VCCIB3	AC25
VCCIB3	P16
VCCIB3	R17
VCCIB3	T17
VCCIB4	AB21
VCCIB4	AC22
VCCIB4	AD23
VCCIB4	AE23
VCCIB4	T14
VCCIB4	U15
VCCIB4	U16
VCCIB5	AB5
VCCIB5	AC4
VCCIB5	AD3
VCCIB5	AE3
VCCIB5	T12
VCCIB5	U10
VCCIB5	U11
VCCIB6	AA4
VCCIB6	AB3
VCCIB6	AC1
VCCIB6	AC2
VCCIB6	P10
VCCIB6	R9

Note: **Not routed on the same package layer and to adjacent LGA pads as its differential pair complement. Recommended to be used as a single-ended I/O.*

CG624	
AX2000 Function	Pin Number
VCCIB6	T9
VCCIB7	C1
VCCIB7	C2
VCCIB7	D3
VCCIB7	E4
VCCIB7	K9
VCCIB7	L9
VCCIB7	M10
VCCPLA	E12
VCCPLB	J12
VCCPLC	E14
VCCPLD	H14
VCCPLE	Y14
VCCPLF	U14
VCCPLG	Y12
VCCPLH	U12
VCOMPLA	F12
VCOMPLB	H12
VCOMPLC	F14
VCOMPLD	J14
VCOMPLE	AA14
VCOMPLF	V14
VCOMPLG	AA12
VCOMPLH	V12
VPUMP	E20

Note: **Not routed on the same package layer and to adjacent LGA pads as its differential pair complement. Recommended to be used as a single-ended I/O.*

4 – Datasheet Information

List of Changes

The following table lists critical changes that were made in the current version of the document.

Revision	Changes	Page
Revision 18 (March 2012)	Table 2-1 • Absolute Maximum Ratings was updated to correct the maximum DC core supply voltage (VCCA) from 1.6 V to 1.7 V (SAR 36786). The maximum input voltage (VI) was corrected from 3.75 V to 4.1 V (SAR 35419).	2-1
	Values for tristate leakage current IOZ, and IIH and IIL were added to Table 2-3 • Standby Current (SARs 35774, 32021).	2-2
	Figure 2-2 • VCCPLX and VCOMPLX Power Supply Connect was updated to correct the units for the resistance from "W" to Ω (SAR 36415).	2-9
	In the Introduction to the " User I/Os " section, the following sentence was added to clarify the slew rate setting (SAR 34943): The slew rate setting is effective for both rising and falling edges.	2-11
	Figure 2-3 • Use of an External Resistor for 5 V Tolerance was revised to show the VCCI and GND clamp diodes. The explanatory text above the figure was revised as well (SAR 34942).	2-13
	EQ 3 for 5 V tolerance was corrected to change Vdiode from 0.6 V to 0.7 V (SAR 36786).	2-13
	Additional information was added to the " Using the Weak Pull-Up and Pull-Down Circuits " section to clarify how the weak pull-up and pull-down resistors are physically implemented (SAR 34945).	2-17
	The description for the C _{INCLK} parameter in Table 2-18 • Input Capacitance was changed from "Input capacitance on clock pin" to "Input capacitance on HCLK and RCLK pin" (SAR 34944).	2-21
	Table 2-19 • I/O Input Rise Time and Fall Time* is new (SAR 34942).	2-21
	The minimum VIL for 1.5 V LVCMOS and PCI was corrected from –0.5 to –0.3 in Table 2-29 • DC Input and Output Levels and Table 2-33 • DC Input and Output Levels (SAR 34358).	2-38, 2-40
	Support for simulating the GCLR/ GPSET feature in the Axcelerator Family was added in Libero software v9.0 SP11. Reference to the section explaining this in the Antifuse Macro Library Guide was added to the " R-Cell " section (SAR 26413).	2-58
The enable signal in Figure 2-32 • R-Cell Delays was corrected to show it is active low rather than active high (SAR 34946).	2-59	
Revision 17 (September 2011)	The versioning system for datasheets has been changed. Datasheets are assigned a revision number that increments each time the datasheet is revised. The " Axcelerator Family Device Status " table indicates the status for each device in the device family.	iii
	The " Features " section, " Programmable Interconnect Element " section, and " Security " section were revised to clarify that although no existing security measures can give an absolute guarantee, Microsemi FPGAs implement the best security available in the industry (SAR 32865).	i, 1-1, 2-108

Revision	Changes	Page
Revision 17 (continued)	The C180 package was removed from product tables and the "Package Pin Assignments" section (PDN 0909).	3-1
	Package names used in the "Axcelerator Family Product Profile" and "Package Pin Assignments" section were revised to match standards given in <i>Package Mechanical Drawings</i> (SAR 27395).	i, 3-1
	The "Introduction" section for "User I/Os" was updated as follows: "The user does not need to assign VREF pins for OUTBUF and TRIBUF. VREF pins are needed only for input and bidirectional I/Os" (SARs 24181, 24309).	2-11
	Power values in Table 2-4 • Default CLOAD/VCCI were updated to reflect those of SmartPower (SAR 33945).	2-3
	Two parameter names were corrected in Figure 2-10 • Output Buffer Delays . One occurrence of t_{ENLZ} was changed to t_{ENZL} and one occurrence of t_{ENHZ} was changed to t_{ENZH} (SAR 33890).	2-22
	The "Timing Model" section was updated with new timing values. Timing tables in the "I/O Specifications" section were updated to include enable paths. Values in the timing tables in the "Voltage-Referenced I/O Standards" section and "Differential Standards" section were updated. Table 2-63 • R-Cell was updated (SAR 33945).	2-8, 2-26 to 2-53
	Figure 2-11 • Timing Model was replaced (SAR 33043).	2-23
	The timing tables for "RAM" and "FIFO" were updated (SAR 33945).	2-90 to 2-106
	"Data Registers (DRs)" values were modified for IDCODE and USERCODE (SARs 18257, 26406).	2-108
The package diagram for the "CQ208" package was incorrect and has been replaced with the correct diagram (SARs 23865, 26345).	3-89	
Revision 16 (v2.8, Oct. 2009)	The datasheet was updated to include AX2000-CQ2526 information.	N/A
	MIL-STD-883 Class B is no longer supported by Axcelerator FPGAs and as a result was removed.	N/A
	A footnote was added to the "Introduction" in the "Axcelerator Clock Management System" section.	2-75
Revision 15 (v2.7, Nov. 2008)	RoHS-compliant information was added to the "Ordering Information".	ii
	ACTgen was changed to SmartGen because ACTgen is obsolete.	N/A
Revision 14 (v2.6)	In Table 2-4 , the units for the P_{LOAD} , P_{10} , and $P_{I/O}$ were updated from mW/MHz to mW/MHz.	2-3
	In the "Pin Descriptions" section, the HCLK and CLK descriptions were updated to include tie-off information.	2-9
	The "Global Resource Distribution" section was updated.	2-70
	The "CG624" table was updated.	3-116
Revision 13 (v2.5)	A note was added to Table 2-2 .	2-1
	In the "Package Thermal Characteristics", the temperature was changed from 150°C to 125°C.	2-6

Revision	Changes	Page
Revision 12 (v2.4)	Revised ordering information and timing data to reflect phase out of –3 speed grade options.	
	Table 2-3 was updated.	2
Revision 11 (v2.3)	The "Packaging Data" section is new.	iv
	Table 2-2 was updated.	2-1
	"VCCDA Supply Voltage" was updated.	2-9
	"PRA/B/C/D Probe A, B, C and D" was updated.	2-10
	The "User I/Os" was updated.	2-11
Revision 10 (v2.2)	Figure 1-3 was updated.	1-2
	Table 2-2 was updated.	2-1
	The "Power-Up/Down Sequence" section was updated.	2-1
	Table 2-4 was updated.	2-3
	Table 2-5 was updated.	2-4
	The "Timing Characteristics" section was added.	2-7
	Table 2-7 was updated.	2-7
	Figure 2-1 was updated.	2-8
	The External Setup and Clock-to-Out (Pad-to-Pad) equations in the "Hardwired Clock – Using LVTTTL 24 mA High Slew Clock I/O" section were updated.	2-8
	The External Setup and Clock-to-Out (Pad-to-Pad) in the "Routed Clock – Using LVTTTL 24 mA High Slew Clock I/O" section were updated.	2-8
	The "Global Pins" section was updated.	2-10
	The "User I/Os" section was updated.	2-11
	Table 2-17 was updated.	2-19
	Figure 2-8 was updated.	2-20
	Figure 2-13 and Figure 2-14 were updated.	2-24
	The following timing parameters were renamed in I/O timing characteristic tables from Table 2-22 to Table 2-60: $t_{IOCLKQ} > t_{CLKQ}$ $t_{IOCLKY} > t_{OCLKQ}$	2-26 to 2-52
	Timing numbers were updated from Table 2-22 to Table 2-78.	2-26 to 2-69
	The "R-Cell" section was updated.	2-58
	Figure 2-59 was updated.	2-89
	Figure 2-60 was updated.	2-89
Figure 2-67 was updated.	2-100	
Figure 2-68 was updated.	2-101	
Table 2-89 to Table 2-93 were updated.	2-90 to 2-94	
Table 2-98 to Table 2-102 were updated.	2-102 to 2-106	

Revision	Changes	Page
Revision 10 (continued)	The "TRST" section was updated.	2-107
	The "Global Set Fuse" section was added.	2-109
	A footnote was added to "FG896" for the AX2000 regarding pins AB1, AE2, G1, and K2.	3-52
	Pinouts for the AX250, AX500, and AX1000 were added for "CQ352".	3-98
	Pinout for the AX1000 was added for "CG624".	3-115
Revision 9 (v2.1)	Table 2-79 was updated.	2-69
	The "Low Power Mode" section was updated.	2-106
Revision 8 (v2.0)	Table 1 has been updated.	i
	The "Ordering Information" section has been updated.	ii
	The "Device Resources" section has been updated.	ii
	The "Temperature Grade Offerings" section is new.	iii
	The "Speed Grade and Temperature Grade Matrix" section has been updated.	iii
	Table 2-9 has been updated.	2-12
	Table 2-10 has been updated.	2-12
	Table 2-1 has been updated.	2-1
	Table 2-2 has been updated.	2-1
	Table 2-3 has been updated.	2-2
	Table 2-4 has been updated.	2-3
	Table 2-5 has been updated.	2-4
	The "Power Estimation Example" section has been updated.	2-5
	The "Thermal Characteristics" section has been updated.	2-6
	The "Package Thermal Characteristics" section has been updated.	2-6
	The "Timing Characteristics" section has been updated.	2-7
	The "Pin Descriptions" section has been updated.	2-9
	Timing numbers have been updated from the "3.3 V LVTTTL" section to the "Timing Characteristics" section. Many AC Loads were updated as well.	2-25 to 2-59
	Timing characteristics for the "Hardwired Clocks" and "Routed Clocks" sections were updated.	2-66, 2-68
	Table 2-89 to Table 2-92 and Table 2-98 to Table 2-99 were updated.	2-90 to 2-93, 2-102 to 2-103
The following sections were updated: "Low Power Mode", "Interface", "Data Registers (DRs)", "Security", "Silicon Explorer II Probe Interface", and "Programming"	2-106 to 2-110	
In the "PQ208" (AX500) section, pins 2, 52, and 156 changed from V_{CCDA} to V_{CCA} . For pins 170 and 171, the I/O names refer to pair 23 instead of 24.	3-84	

Revision	Changes	Page
Revision 8 (continued)	The following changes were made in the "FG676"(AX500) section: AE2, AE25 AF2, AF25 AB4, AF24, C1, C26 AD15 AD17	3-37 Change from NC to GND. Changed from GND to NC Changed from V _{CCDA} to V _{CCA} Change from V _{CCDA} to V _{COMPLE} Changed from V _{COMPLE} to V _{CCDA}
	In the "FG896" (AX2000) section, the AK28 changed from VCCIB5 to VCCIB4.	3-52
	The "CQ352" and "CG624" sections are new.	3-98, 3-115
Revision 7 (Advance v1.6)	All I/O FIFO capability was removed.	n/a
	Table 1 was updated.	i
	Figure 1-9 was updated.	1-7
	Figure 2-5 was updated.	2-16
	The "Using an I/O Register" section was updated.	2-16
	The AX250 and AX1000 descriptions were added to the "FG484" section.	3-21
Revision 6 (Advance v1.5)	Table 2-3 was updated.	2-2
	Figure 2-1 was updated.	2-8
	Figure 2-48 was updated.	2-75
	Figure 2-52 was updated.	2-82
Revision 5 (Advance v1.4)	In the "PQ208" table, pin 196 was missing, but it has been added in this version with a function of GND.	3-84
	The following pins in the "FG484" table for AX500 were changed: Pin G7 is GND/LP Pins AB8, C10, C11, C14, AB16 are NC.	3-21
	The "FG676" table was updated.	3-37
Revision 4 (Advance v1.3)	The "Device Resources" section was updated for the CS180.	ii
	The "Programmable Interconnect Element" and Figure 1-2 are new.	1-1 and 1-2
	The "CS180" table is new.	3-1
	The "PQ208" tables for the AX500 were updated. The following pins were not defined in the previous version: GND 21 IO106PB5F10/CLKHP 71 GND 136	3-84
Revision 3 (Advance v1.2)	Table 1, "Ordering Information", "Device Resources", and the Product Plan table were updated.	i, ii
	The following figures and tables were updated: Figure 1-3 Figure 1-8 (new) Table 2-3 Figure 2-2 Table 2-8 Figure 2-11	1-2 1-6 2-2 2-9 2-12 2-23
	The "Design Environment" section was updated.	1-7
	The "Package Thermal Characteristics" was updated.	2-6

Revision	Changes	Page
Revision 3 (continued)	The timing characteristics tables from pages 2-26 to 2-60 were updated.	2-26 to 2-60
	The "Global Resources" section was updated.	2-66
	The timing characteristics tables from pages 2-102 to 2-103 were updated.	2-102 to 2-103
	The "PQ208", "FG256", and "FG324" tables are new.	3-9,3-16, 3-84

Datasheet Categories

Categories

In order to provide the latest information to designers, some datasheet parameters are published before data has been fully characterized from silicon devices. The data provided for a given device, as highlighted in the "Accelerator Family Device Status" table on page iii, is designated as either "Product Brief," "Advance," "Preliminary," or "Production." The definitions of these categories are as follows:

Product Brief

The product brief is a summarized version of a datasheet (advance or production) and contains general product information. This document gives an overview of specific device and family information.

Advance

This version contains initial estimated information based on simulation, other products, devices, or speed grades. This information can be used as estimates, but not for production. This label only applies to the DC and Switching Characteristics chapter of the datasheet and will only be used when the data has not been fully characterized.

Preliminary

The datasheet contains information based on simulation and/or initial characterization. The information is believed to be correct, but changes are possible.

Production

This version contains information that is considered to be final.

Export Administration Regulations (EAR)

The products described in this document are subject to the Export Administration Regulations (EAR). They could require an approved export license prior to export from the United States. An export includes release of product or disclosure of technology to a foreign national inside or outside the United States.

Safety Critical, Life Support, and High-Reliability Applications Policy

The products described in this advance status document may not have completed the Microsemi qualification process. Products may be amended or enhanced during the product introduction and qualification process, resulting in changes in device functionality or performance. It is the responsibility of each customer to ensure the fitness of any product (but especially a new product) for a particular purpose, including appropriateness for safety-critical, life-support, and other high-reliability applications. Consult the Microsemi SoC Products Group Terms and Conditions for specific liability exclusions relating to life-support applications. A reliability report covering all of the SoC Products Group's products is available at http://www.microsemi.com/soc/documents/ORT_Report.pdf. Microsemi also offers a variety of enhanced qualification and lot acceptance screening procedures. Contact your local sales office for additional reliability information.



Microsemi Corporate Headquarters
One Enterprise, Aliso Viejo CA 92656 USA
Within the USA: +1 (949) 380-6100
Sales: +1 (949) 380-6136
Fax: +1 (949) 215-4996

Microsemi Corporation (NASDAQ: MSCC) offers a comprehensive portfolio of semiconductor solutions for: aerospace, defense and security; enterprise and communications; and industrial and alternative energy markets. Products include high-performance, high-reliability analog and RF devices, mixed signal and RF integrated circuits, customizable SoCs, FPGAs, and complete subsystems. Microsemi is headquartered in Aliso Viejo, Calif. Learn more at www.microsemi.com.

© 2012 Microsemi Corporation. All rights reserved. Microsemi and the Microsemi logo are trademarks of Microsemi Corporation. All other trademarks and service marks are the property of their respective owners.

Looking for pricing, stock, or lifecycle information?

Click below to explore more details on WIN SOURCE:

- ⊖ [View AX1000-FG484M](#) on WIN SOURCE
- ⊖ [Microchip Technology](#) Information

Optimize Your Supply Chain with WIN SOURCE Solutions

- ✓ Global Sourcing Solution
- ✓ Obsolete Management
- ✓ Cost Control Management
- ✓ Shortage Management
- ✓ Alternative Solution
- ✓ Excess Inventory Management