

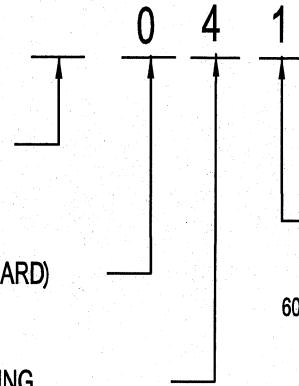


**THE DATASHEET OF
ELMP04041**



REV	ECN	APPD
-	5915	GHR 07/27/06

ELMP



NUMBER OF POSITIONS

04 - 4 POSITIONS

08 - 8 POSITIONS

WIRE WINDOW (STANDARD)

0 = WIRE WINDOW

CENTERLINE SPACING

4 = .400" CL

GENERAL SPECIFICATIONS

1= 2 CONTACT TAILS PER POSITION - .400" SPACED
60 AMP, 300V, BLACK, TIN PLATING



RATINGS

CURRENT - 60A PENDING
VOLTAGE - 300V PENDING
U.L. FILE NO. E83421



RATINGS

CURRENT - 60A PENDING
VOLTAGE - 300V PENDING
CSA FILE NO. LR69703

DIN VDE 0627:1986
DIN VDE 0110-1:1989
EN 60947-1:1991
EN 60947-7-1:1992

CURRENT - 60A PENDING
VOLTAGE - 300V PENDING
TUV FILE NO. 20396

INSTALLATION RECOMMENDATIONS:

WIRE RANGE: AWG #8 - 18 AWG, STRAND OR SOLID
WIRE STRIP LENGTH: .430" (16.0 MM)
REC. TIGHTENING TORQUE: 12 IN-LB.

MATERIALS:

HOUSING: PA, UL 94 V-0, BLACK
CONTACT: CU ALLOY, TIN PLATING PER ASTM B-545
SCREW: STEEL, BLACK ZINC PLATING PER ASTM B63398
WIRE CLAMP: CU ALLOY, NICKEL PLATING PER QQ-N-290

OPERATING TEMPERATURE:

-40 °C TO 120 °C

DIMENSIONS

ANSI Y14.5M
UNITS: INCHES
Pro/E FILE

TOLERANCES

.XX ± 0.01
.XXX ± 0.005
ANGLES ± 2.0 °

PROJECTION



AMPHENOL PCD

ENGR

R. VAN DER ESCH 07/27/06

CHKD

P. CASTRICHINI 07/27/06

APPD

G. ROBERTSON 07/27/06

TITLE

ELMP SERIES TERMINAL BLOCK
.400" CL

ORIGINAL
STAMPED
IN RED

THIS DOCUMENT CONTAINS
PROPRIETARY INFORMATION WHICH
IS THE CONFIDENTIAL PROPERTY
OF AMPHENOL PCD, INC.
PEABODY, MA, USA

SIZE
A

DWG NO.

ELMP04041

REV

-

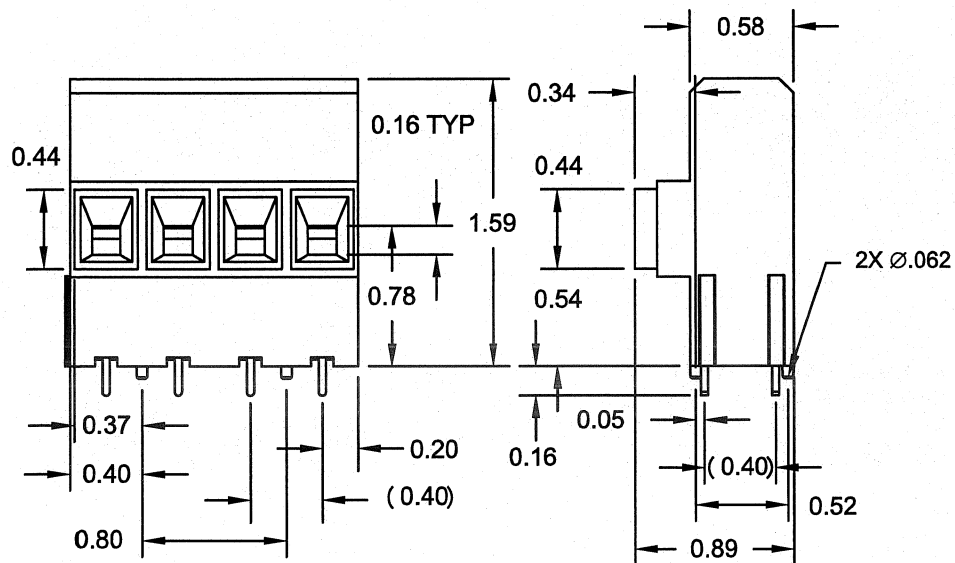
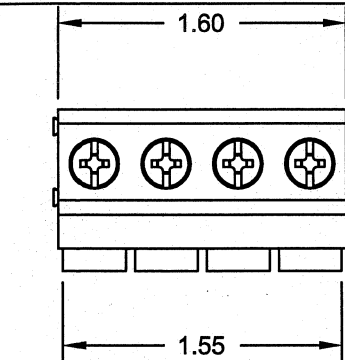
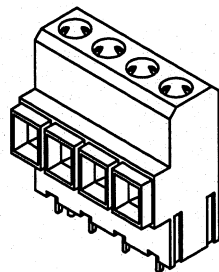
CODE: 58982

SCALE: NONE

SHEET 1 OF 2

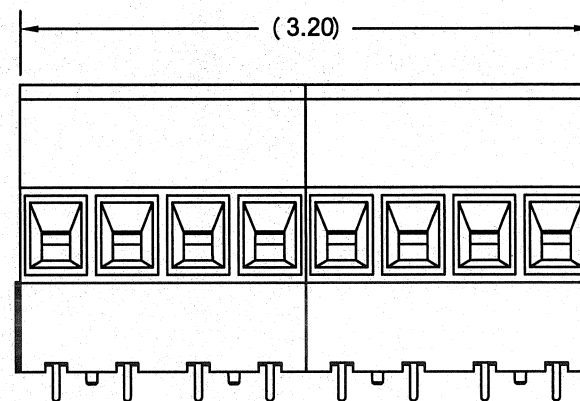
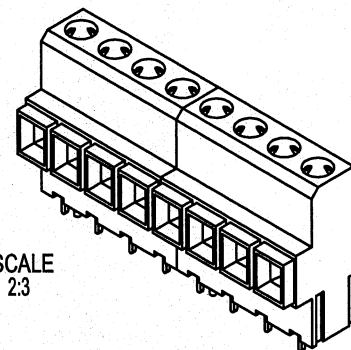
ELMP04041

SCALE
2:3



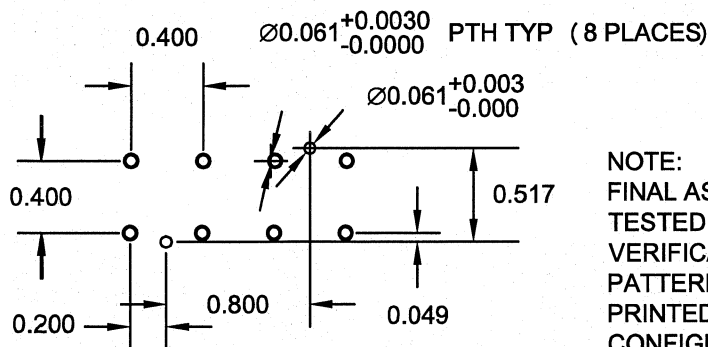
ELMP08041

SCALE
2:3



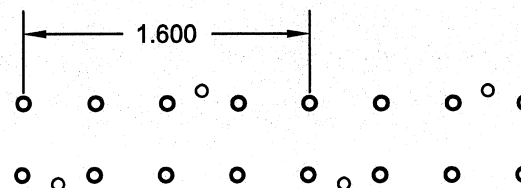
ALL OTHER DIMENSIONS SAMES AS ELMP04041

PRINTED CIRCUIT BOARD CONFIGURATION



NOTE:
FINAL ASSEMBLY MUST BE TESTED FOR FIT
VERIFICATION TO THE DRILL PATTERN NOTED ON PRINTED CIRCUIT BOARD CONFIGURATION

RECOMMENDED PCB THICKNESS: .062 ± .008



8 CIRCUIT PATTERN IS TWO 4 CIRCUIT PATTERNS
OFFSET BY 1.600

SIZE A	DWG NO. ELMP04041	REV -
CODE: 58982	SCALE: NONE	SHEET 2 OF 2

Looking for pricing, stock, or lifecycle information?

Click below to explore more details on WIN SOURCE:

 [View ELMP04041 on WIN SOURCE](#)

 [Amphenol PCD Information](#)

Optimize Your Supply Chain with WIN SOURCE Solutions

-  Global Sourcing Solution
-  Obsolete Management
-  Cost Control Management
-  Shortage Management
-  Alternative Solution
-  Excess Inventory Management