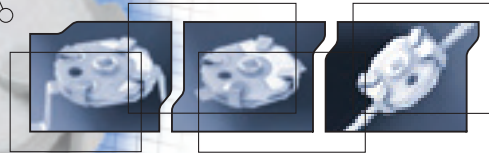
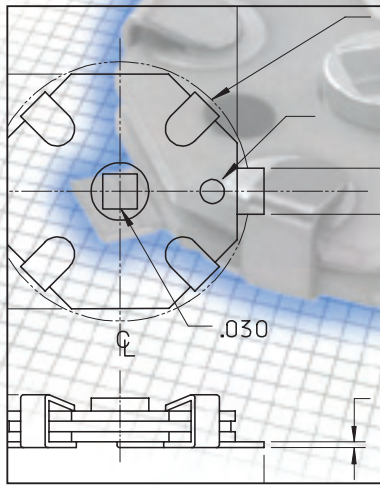


THIN-TRIM

Our Thin-Trim capacitors are ideal for applications where size and performance are most critical. These single-turn capacitors exhibit remarkable electrical characteristics for their small size. Useful up to 2 GHz, these trimmers are perfect for low-profile applications.



CHARACTERISTICS

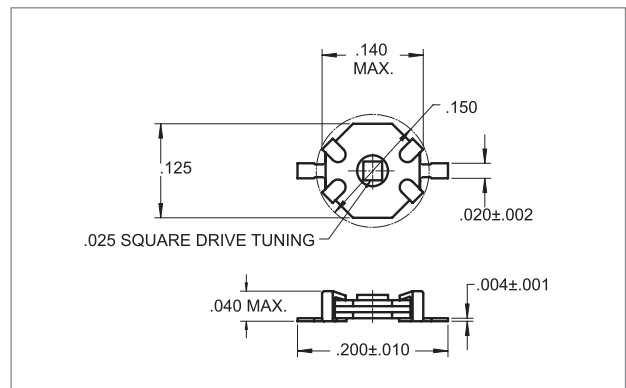
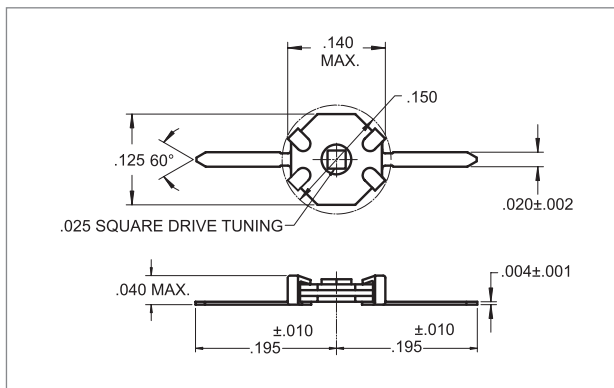
- Working Voltage: 250 VDC (500 VDC Test)
- Insulation Resistance: $> 10^4$ M Ω
- Temperature Range: -55°C to +125°C
- RoHS Compliant parts available

APPLICATIONS

- RF amplifier
- LC Filters and Networks
- Broadband Wireless LAN
- Medical Devices
- Cordless and Cellular phones
- DR/Crystal Oscillator

| SERIES | DISK SIZE | CAPACITANCE AVAILABLE | TUNING RESOLUTION |
|--------|-----------------|-----------------------|-------------------|
| 9401 | .140" (3.56 mm) | .25 to 4.0 pF | 90° |
| 9402 | .125" (3.18 mm) | .5 to 25 pF | 180° |
| 9410 | .200" (5.08 mm) | 1 to 50 pF | 180° |

9401 SERIES Tuning Tool: 4194

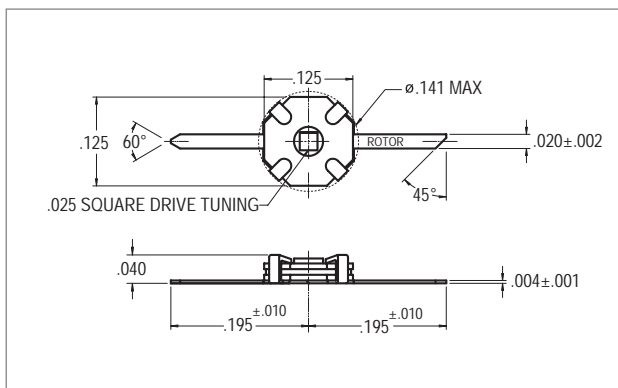


| JMC P/N | JMC RoHS P/N | RANGE PF | MIN Q @ 100MHZ |
|---------|--------------|-------------|----------------|
| 9401-0 | 9701-0 | 0.25 TO 0.7 | >1000 |
| 9401-1 | 9701-1 | 0.5 TO 1.3 | >1000 |
| 9401-2 | 9701-2 | 0.6 TO 2.0 | >1000 |
| 9401-4 | 9701-4 | 1.5 TO 4.0 | >500 |

| JMC P/N | JMC RoHS P/N | RANGE PF | MIN Q @ 100MHZ |
|-----------|--------------|-------------|----------------|
| 9401-05L1 | 9701-05L1 | 0.25 TO 0.7 | >1000 |
| 9401-15L1 | 9701-15L1 | 0.5 TO 1.3 | >1000 |
| 9401-25L1 | 9701-25L1 | 0.6 TO 2.0 | >1000 |
| 9401-45L1 | 9701-45L1 | 1.5 TO 4.0 | >500 |

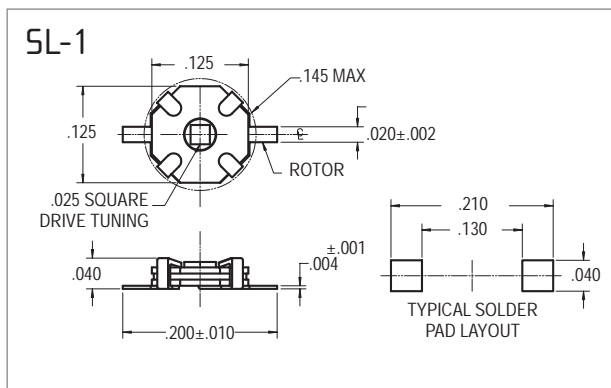
Available in Tape/Reel: 1500 per reel, add suffix R3

9402/9702 SERIES TUNING TOOL: 4194



| JMC P/N | RANGE PF | MIN Q @ 100MHZ | |
|---------|------------|----------------|-------|
| 9402-0 | 9402-OSL-1 | 0.5 to 2.5 | >3000 |
| 9402-1 | 9402-1SL-1 | 1.0 to 5.0 | >1000 |
| 9402-2 | 9402-2SL-1 | 2.5 to 10.0 | >1000 |
| 9402-4 | 9402-4SL-1 | 3.0 to 12.0 | >500 |
| 9402-6 | 9402-6SL-1 | 6.0 to 25.0 | >300 |
| 9402-8 | 9402-8SL-1 | 5.0 to 15.0 | >750 |
| 9402-9 | 9402-9SL-1 | 5.0 to 18.0 | >500 |

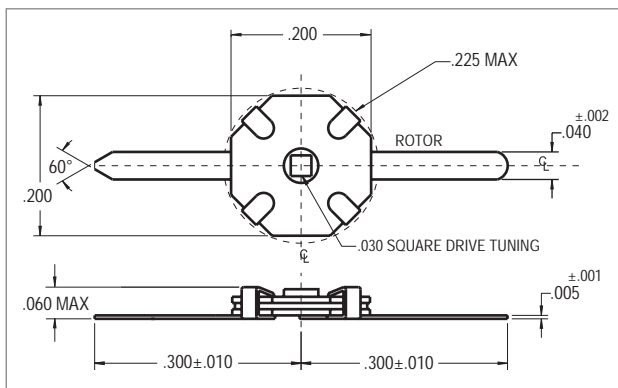
SL-1 AVAILABLE IN TAPE/REEL: 1500 PER REEL, ADD SUFFIX R3



| ROHS | Pb | RANGE PF | MIN Q @ 100MHZ |
|--------|------------|-------------|----------------|
| 9702-0 | 9702-OSL-1 | 0.5 to 2.5 | >3000 |
| 9702-1 | 9702-1SL-1 | 1.0 to 5.0 | >1000 |
| 9702-2 | 9702-2SL-1 | 2.5 to 10.0 | >1000 |
| 9702-4 | 9702-4SL-1 | 3.0 to 12.0 | >500 |
| 9702-6 | 9702-6SL-1 | 8.0 to 25.0 | >300 |
| 9702-8 | 9702-8SL-1 | 5.0 to 15.0 | >750 |
| 9702-9 | 9702-9SL-1 | 7.0 to 18.0 | >500 |

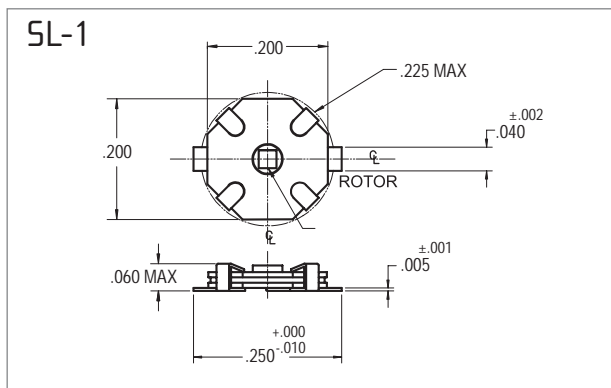
SL-1 AVAILABLE IN TAPE/REEL: 1500 PER REEL, ADD SUFFIX R3

9410/9710 SERIES TUNING TOOL: 4193



| JMC P/N | RANGE PF | MIN Q @ 100MHZ | |
|---------|-------------|----------------|-------|
| 9410-0 | 9410-OSL-1 | 1.0 to 4.5 | >1000 |
| 9410-1 | 9410-1SL-1 | 2.5 to 10.0 | >1000 |
| 9410-2 | 9410-2SL-1 | 4.0 to 18.0 | >700 |
| 9410-3 | 9410-3SL-1 | 6.0 to 35.0 | >200 |
| 9410-4 | 9410-4SL-1 | 7.0 to 40.0 | >200 |
| 9410-5 | 9410-5SL-1 | 8.0 to 50.0 | >250 |
| 9410-25 | 9410-25SL-1 | 5.0 to 25.0 | >200 |

AVAILABLE IN TAPE/REEL: 3000 PER REEL, ADD SUFFIX R7



| ROHS | Pb | RANGE PF | MIN Q @ 100MHZ |
|---------|-------------|--------------|----------------|
| 9710-0 | 9710-OSL-1 | 1.0 to 4.5 | >1000 |
| 9710-1 | 9710-1SL-1 | 2.5 to 10.0 | >1000 |
| 9710-2 | 9710-2SL-1 | 4.0 to 18.0 | >700 |
| 9710-3 | 9710-3SL-1 | 6.0 to 35.0 | >200 |
| 9710-4 | 9710-4SL-1 | 7.0 to 40.0 | >200 |
| 9710-5 | 9710-5SL-1 | 10.0 to 50.0 | >250 |
| 9710-25 | 9710-25SL-1 | 5.0 to 25.0 | >200 |

AVAILABLE IN TAPE/REEL: 3000 PER REEL, ADD SUFFIX R7



Looking for pricing, stock, or lifecycle information?

Click below to explore more details on WIN SOURCE:

- ⊖ [View 9410-3 on WIN SOURCE](#)
- ⊖ [Knowles Johanson Manufacturing Information](#)

Optimize Your Supply Chain with WIN SOURCE Solutions

- ✓ Global Sourcing Solution
- ✓ Obsolete Management
- ✓ Cost Control Management
- ✓ Shortage Management
- ✓ Alternative Solution
- ✓ Excess Inventory Management