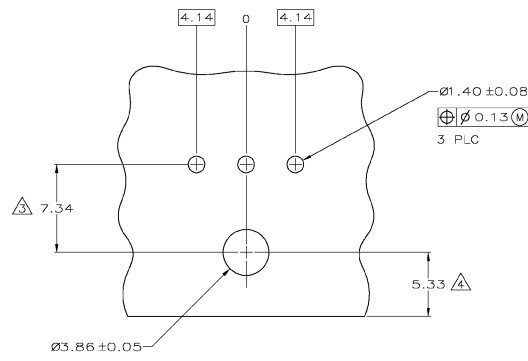
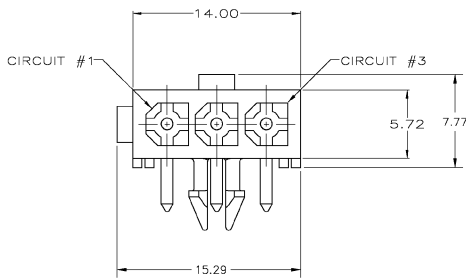
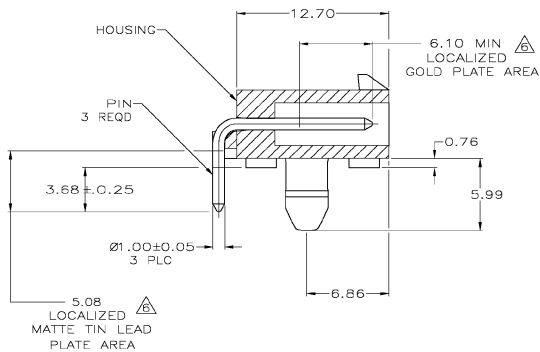




THE DATASHEET OF
770967-1



REV	DATE	DESCRIPTION	BY	CHK	APP
CM 00					
E	REV PER EC	0618-0388-03	24JUL03	SC	CJ



RECOMMENDED MOUNTING HOLE PATTERN FOR 1.57 THICK P.C. BOARD

MM	IN	MM	IN
1.57	.062	14.00	.551
1.40	.055	12.70	.500
1.00	.039	7.34	.289
0.76	.030	6.86	.270
0.25	.010	5.99	.236
0.13	.005	5.72	.225
0.08	.003	5.33	.210
0.05	.002	5.08	.200
0.0038	0.000150	4.14	.163
0.00127	0.000050	3.86	.152
0.00076	0.000030	3.68	.145

CONVERSION TABLE

- PINS TO COMPLY WITH AMP SOLDERABILITY SPEC 109-11-3.
 - MATES WITH PLUG P/N 172166-1.
- ⚠ COORDINATE DIMENSION APPLIES FROM CENTER OF ACTUAL FEATURE.
 - ⚠ RECOMMENDED FOR EDGE MOUNTING.
 - ⚠ 0.00381 MIN MATTE TIN LEAD OVER 0.00127 MIN NICKEL ENTIRE LENGTH OF PIN.
 - ⚠ 0.00076 MIN GOLD PLATE IN THE LOCALIZED PLATE AREA, 0.00381 MIN MATTE TIN LEAD IN THE LOCALIZED PLATE AREA, BOTH OVER 0.00127 MIN NICKEL.
 - ⚠ 0.00381 MIN MATTE TIN OVER 0.00127 MIN NICKEL ENTIRE LENGTH OF PIN.

MATERIAL	FINISH	MATERIAL	COLOR	PART NO.
BRASS	⚠	NYLON, UL94V-0	WHITE	1-770967-0
BRASS	⚠	NYLON, UL94V-0	WHITE	770967-2
BRASS	⚠	NYLON, UL94V-0	WHITE	770967-1

THIS DRAWING IS A CONTROLLED DOCUMENT. DATE: 24JUL2003

DESIGNED BY: S. CARPENTER DATE: 24JUL2003

DRAWN BY: J. JONES DATE: 24JUL2003

APPROVED BY: J. JONES DATE: 24JUL2003

PROJECT: NYLON

APPLICATION SPEC: HEADER ASSEMBLY, RIGHT ANGLE, WITH SHORT PEG, 3 CIRCUIT, MINI UNIVERSAL MATE-N-LOK™

MATERIAL: SEE TABLE

FINISH: SEE TABLE

SCALE: 5:1

SHEET: 1 OF 1

REV: 1

DATE: 24JUL2003

BY: S. CARPENTER

CHK: J. JONES

APP: J. JONES

SIZE: A1

QTY: 100

DWG NO: 00779


DRAWING NO: 770967

CUSTOMER DRAWING



Looking for pricing, stock, or lifecycle information?

Click below to explore more details on WIN SOURCE:

 [View 770967-1](#) on WIN SOURCE

 [TE Connectivity](#) Information

Optimize Your Supply Chain with WIN SOURCE Solutions

-  Global Sourcing Solution
-  Obsolete Management
-  Cost Control Management
-  Shortage Management
-  Alternative Solution
-  Excess Inventory Management