



**THE DATASHEET OF  
7490220115**



# Spezifikation für Freigabe / specification for release

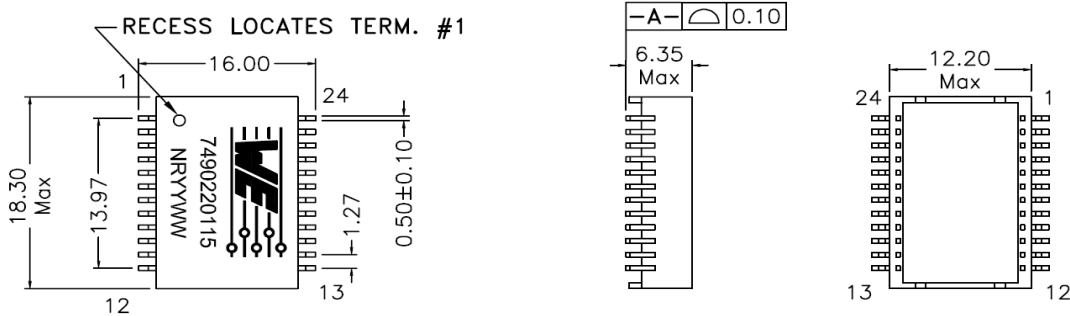
Kunde / customer :  
 Artikelnummer / part number : **7490220115**  
 Bezeichnung : **LAN-Übertrager WE-LAN**  
 description : **LAN-Transformer WE-LAN**



DATUM / DATE : 2016-08-09

## A Mechanische Abmessungen / dimensions :

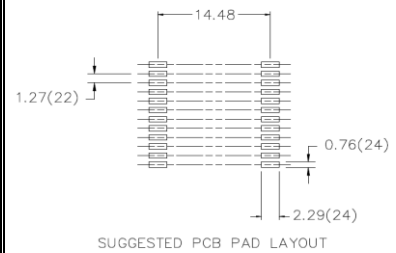
**1000 BaseT PoE+**



## B Elektrische Eigenschaften / electrical properties :

Eigenschaften / properties	Testbedingungen / test conditions		Wert / value	Einheit / unit	tol.
Induktivität / Inductance	100kHz / 100mV @ 18mA DC-Bias	OCL	<b>350</b>	µH	<b>min.</b>
Übersetzungsverhältnis / Turns ratio	100kHz / 100mV	1CT:1CT	<b>1 : 1</b>	Tx	<b>±2%</b>
Insertion Loss	0,1 - 100 MHz	IL	<b>-1,2</b>	dB	<b>max.</b>
	125 MHz		<b>-2,0</b>		
Return Loss	30 MHz	RL	<b>-16</b>	dB	<b>min.</b>
	60-80 MHz		<b>-10</b>		
	100 MHz		<b>-8</b>		
Crosstalk	30 MHz	CT	<b>-35</b>	dB	<b>min.</b>
	60 MHz		<b>-30</b>		
	100 MHz		<b>-25</b>		

## C Lötpad / soldering spec. :



## D Prüfgeräte / test equipment :

HP4395A

## E Testbedingungen / test conditions :

Luftfeuchtigkeit / humidity: 33%  
 Umgebungstemperatur / temperature: +25°C

## F Werkstoffe & Zulassungen / material & approvals :

Basismaterial / base material: Ferrit/ ferrite  
 Draht / wire: OUEW/Y 180  
 Kontaktmaterial/ contact plating: Cu-Ni-Sn  
 Gehäuse / case: DAP Black per UL 94V-0

## G Eigenschaften / general specifications :

Betriebstemp. / operating temperature: -40°C - + 85°C  
 Hochspannungsprüfung / Hipot test: 1500Vrms 1min.  
 Geeignet für 1000BaseT-Anwendungen gemäß IEEE 802.3at /  
 Compliant with IEEE 802.3at for PoE+  
 Geeignet für Power over Ethernet-Anwendungen (800 mA) /  
 Suitable for Power over Ethernet applications (800 mA)

Freigabe erteilt / general release:		Kunde / customer	
.....	.....	.....	.....
Datum / date	Unterschrift / signature	JaB	Version 05 2016-08-09
.....	.....	JaB	Version 04 2016-07-26
		<b>Würth Elektronik</b>	
.....	.....	JaB	Version 03 2015-05-22
.....	.....	RKoe	Version 02 2014-11-21
.....	.....	RKoe	Version 01 2014-10-16
Geprüft / checked	Kontrolliert / approved	Name	Änderung / modification Datum / date

### Würth Elektronik eiSos GmbH & Co.KG

D-74638 Waldenburg · Max-Eyth-Straße 1 - 3 · Germany · Telefon (+49) (0) 7942 - 945 - 0 · Telefax (+49) (0) 7942 - 945 - 400  
<http://www.we-online.com>

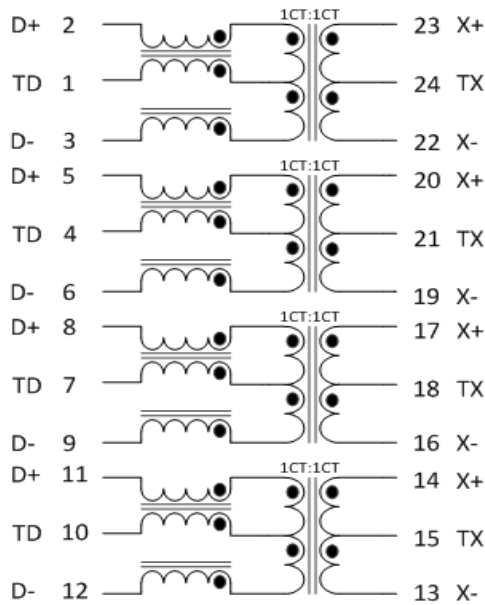
# Spezifikation für Freigabe / specification for release

Kunde / customer :  
 Artikelnummer / part number : **7490220115**  
 Bezeichnung : **LAN-Übertrager WE-LAN**  
 description : **LAN-Transformer WE-LAN**



DATUM / DATE : 2016-08-09

**H Schaltbild / Schematics :**



Freigabe erteilt / general release:	<b>Kunde / customer</b>			
Datum / date	Unterschrift / signature	JaB	Version 05	2016-08-09
Geprüft / checked	Kontrolliert / approved	JaB	Version 04	2016-07-26
	<b>Würth Elektronik</b>	JaB	Version 03	2015-05-22
		RKoe	Version 02	2014-11-21
		RKoe	Version 01	2014-10-16
		Name	Änderung / modification	Datum / date

**Würth Elektronik eiSos GmbH & Co.KG**

D-74638 Waldenburg · Max-Eyth-Straße 1 - 3 · Germany · Telefon (+49) (0) 7942 - 945 - 0 · Telefax (+49) (0) 7942 - 945 - 400  
<http://www.we-online.com>

# Spezifikation für Freigabe / specification for release

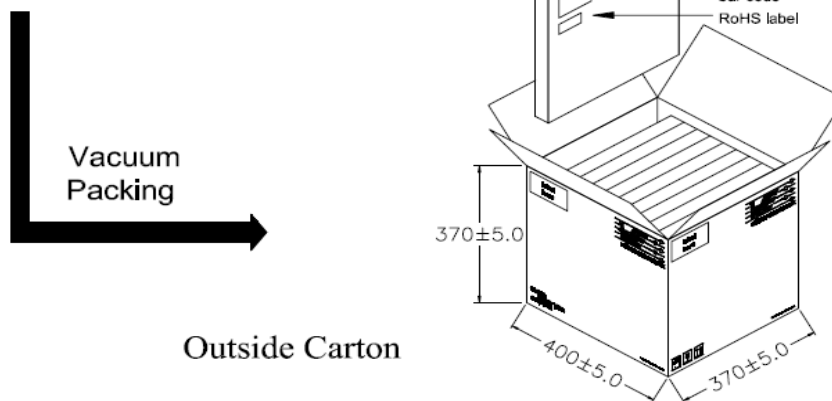
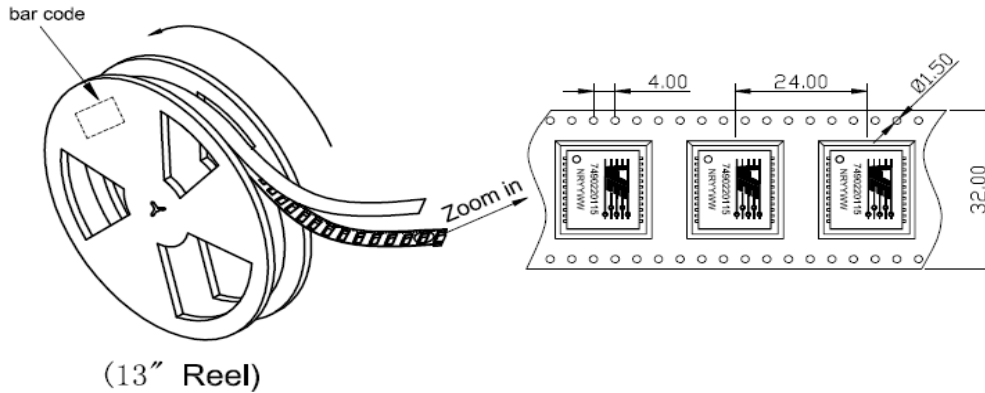
Kunde / customer :  
 Artikelnummer / part number : **7490220115**  
 Bezeichnung : **LAN-Übertrager WE-LAN**  
 description : **LAN-Transformer WE-LAN**



DATUM / DATE : 2016-08-09

## I Rollenspezifikation / tape and reel specification :

### PACKAGING(Tape & Reel)



PACKING QUANTITY:  
 400pcs Finished Goods / Reel  
 8 Reels (3200pcs Finished Goods) / Carton

Freigabe erteilt / general release:	<b>Kunde / customer</b>			
.....	.....			
Datum / date	Unterschrift / signature	JaB	Version 05	2016-08-09
.....	<b>Würth Elektronik</b>	JaB	Version 04	2016-07-26
.....	.....	JaB	Version 03	2015-05-22
Geprüft / checked	Kontrolliert / approved	RKoe	Version 02	2014-11-21
.....	.....	RKoe	Version 01	2014-10-16
		Name	Änderung / modification	Datum / date

This electronic component has been designed and developed for usage in general electronic equipment. Before incorporating this component into any equipment where higher safety and reliability is especially required or if there is the possibility of direct damage or injury to human body, for example in the range of aerospace, aviation, nuclear control, submarine, transportation, (automotive control, train control, ship control), transportation signal, disaster prevention, medical, public information network etc, Würth Elektronik eiSos GmbH must be informed before the design-in stage. In addition, sufficient reliability evaluation checks for safety must be performed on every electronic component which is used in electrical circuits that require high safety and reliability functions or performance.

### Würth Elektronik eiSos GmbH & Co.KG

D-74638 Waldenburg · Max-Eyth-Straße 1 - 3 · Germany · Telefon (+49) (0) 7942 - 945 - 0 · Telefax (+49) (0) 7942 - 945 - 400  
<http://www.we-online.com>

## Looking for pricing, stock, or lifecycle information?

Click below to explore more details on WIN SOURCE:

- [View 7490220115 on WIN SOURCE](#)
- [Wurth Electronics Inc Information](#)

## Optimize Your Supply Chain with WIN SOURCE Solutions

- ✓ Global Sourcing Solution
- ✓ Obsolete Management
- ✓ Cost Control Management
- ✓ Shortage Management
- ✓ Alternative Solution
- ✓ Excess Inventory Management