



**THE DATASHEET OF**  
**691709710306**



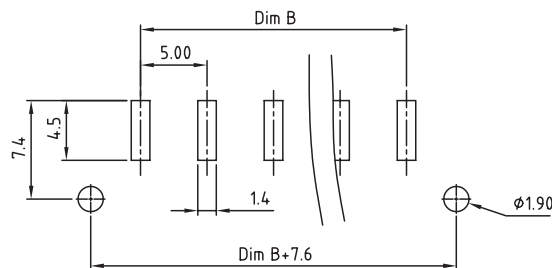
1

2

3

4

5



PCB LAYOUT - COMPONENT VIEW

TECHNICAL CHARACTERISTICS

MATERIAL

INSULATOR: HI TEMP PA46  
 FLAMMABILITY RATING: UL94-V0  
 COLOR: BLACK  
 METAL HOUSING: BRASS (CuZn)  
 TERMINAL SCREW: STEEL ZINC PLATING "-" SLOT TYPE  
 WIRE GUARD: STAINLESS STEEL  
 SURFACE OF SOLDER TAIL PLATING: TIN

ENVIRONMENTAL

OPERATING TEMPERATURE: -40 UP TO 130°C  
 COMPLIANCE: LEAD FREE AND ROHS

ELECTRICAL

CURRENT RATING: 6 A  
 WORKING VOLTAGE: 300 VAC  
 WITHSTANDING VOLTAGE: 1.6 KV  
 CONTACT RESISTANCE: 20 mOhm MAX

STANDARD

UL CERTIFIED E315414

MECHANICAL

SOLID WIRE: 30-14 AWG / 0.0508-2.08 MM<sup>2</sup>  
 STRANDED WIRE: 30-14 AWG / 0.0508-2.08 MM<sup>2</sup>  
 TORQUE: 3.5 Lb.In / 0.4 Nm

WIRE STRIPE LENGTH: 7-8 MM

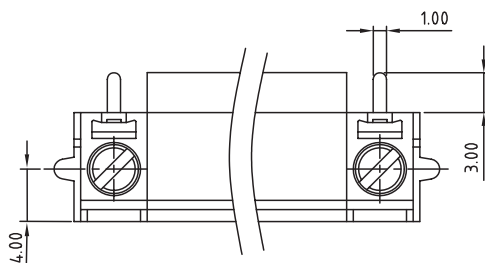
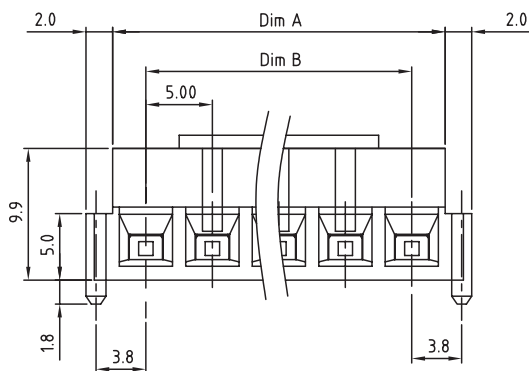
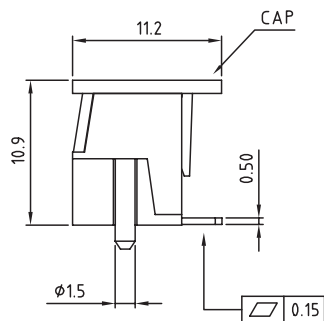
SCREW: M3  
 PITCH: 5.0 MM

SOLDERING

JEDEC LEAD FREE REFLOW SOLDERING PROCESS

PACKAGING

TAPE & REEL WITH CAP



N = Number of poles

Dim A = N x 5.0

Dim B = (N-1) x 5.0

	Dim A	Dim B
2-4p	±0.15	±0.10
5-7p	±0.20	±0.20

RoHS Compliant

PROJECTION:



GENERAL TOLERANCE

.X = +/- 0.2

.XX = +/- 0.15



APPROVAL: FBr

UNIT: MM

SCALE:

SHEET: 1/3

DRAW: MARVIN

DESCRIPTION: SERIE 7097 -SMD 5.0MM HORIZONTAL ENTRY MODULAR  
 WITH PRESSURE CLAMP - WR-TBL

WERI PART NO: 691 709 710 3xx

SIZE

A4

G			
F			
E			
D			
C	30-MAY-16	TPK	AK
B	17-AUG-10	DIMENSION	GG
A	21-JUN-10	PDF	JP
REV	DATE	FILE	BY

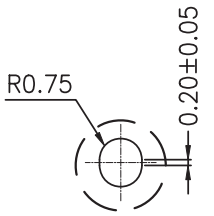
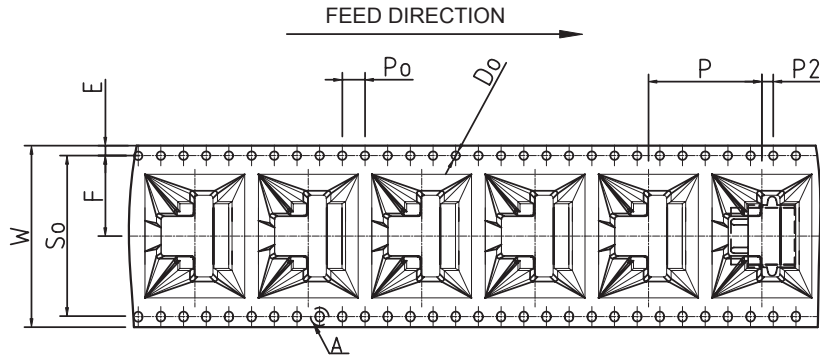
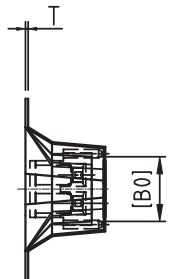
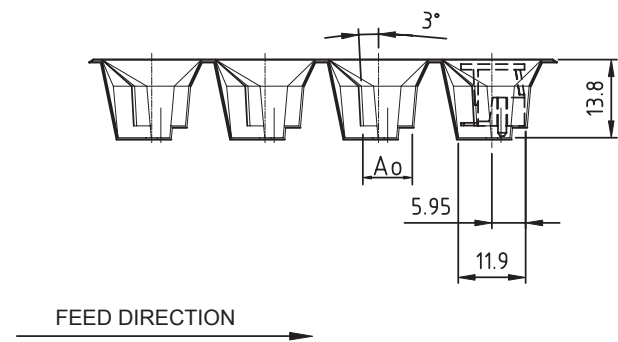
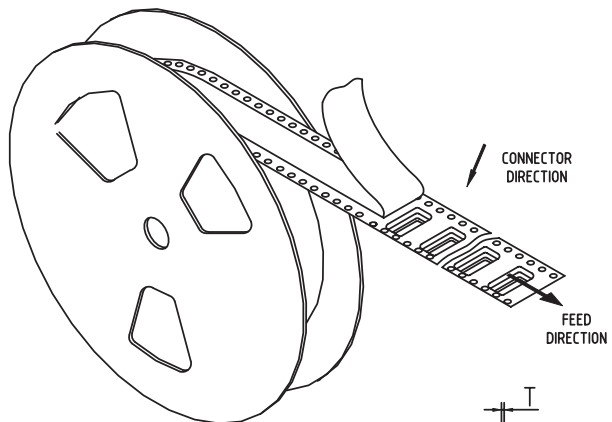
1

2

3

4

5



DETAIL: "A"

EIA DIMENSIONS	
W	32.0±0.3
E	1.75±0.10
F	14.2±0.10
So	28.4±0.10
P	20.0±0.10
Po	4.0±0.10
P2	2.0±0.10
Do	∅1.5 <sup>+0.10</sup> <sub>-0.00</sub>
D1	
T	0.50±0.05
Ao	8.60±0.10
Bo	11.40±0.10
Ko	13.80±0.10

RoHS Compliant			
G			
F			
E			
D			
C			
B			
A			
REV	DATE	FILE	BY

PROJECTION:

APPROVAL: FBr

GENERAL TOLERANCE

.X = +/- 0.2

.XX = +/- 0.15

UNIT: MM

SCALE:

SHEET: 2/3

DRAW: AK

DESCRIPTION: SERIE 7097 -SMD 5.0MM HORIZONTAL ENTRY MODULAR WITH PRESSURE CLAMP - 2.0MM<sup>2</sup> WIRES WR-TBL

WERI PART NO: 691 709 710 3xx

SIZE

**A4**

1

2

3

4

5

## Cautions and Warnings:

This electronic component is designed and developed with the intention for use in general electronics equipments.

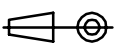

Before incorporating the components into any equipments in the field such as aerospace, aviation, nuclear control, submarine, transportation, (automotive control, train control, ship control), transportation signal, disaster prevention, medical, public information network etc. where higher safety and reliability are especially required or if there is possibility of direct damage or injury to human body, Würth Elektronik must be asked for a written approval.

In addition, even electronic component in general electronic equipments, when used in electrical circuits that require high safety, reliability functions or performance, the sufficient reliability evaluation-check for the safety must be performed before by the user before usage.

A

B


C

RoHS Compliant				PROJECTION: 	GENERAL TOLERANCE .X = +/- 0.2 .XX = +/- 0.15	 <b>WÜRTH ELEKTRONIK</b>	DESCRIPTION: DISCLAIMER	SIZE <b>A4</b>
G								
F								
E								
D								
C				APPROVAL: JC	UNIT: MM	WERI PART NO: DISCLAIMER	SIZE <b>A4</b>	
B				SCALE:				
A	10-SEP-14	PDF	QL	SHEET: 3/3				
REV	DATE	FILE	BY	DRAW: QL				

D

## Looking for pricing, stock, or lifecycle information?

Click below to explore more details on WIN SOURCE:

 [View 691709710306 on WIN SOURCE](#)

 [Wurth Electronics Inc Information](#)

## Optimize Your Supply Chain with WIN SOURCE Solutions

-  Global Sourcing Solution
-  Obsolete Management
-  Cost Control Management
-  Shortage Management
-  Alternative Solution
-  Excess Inventory Management