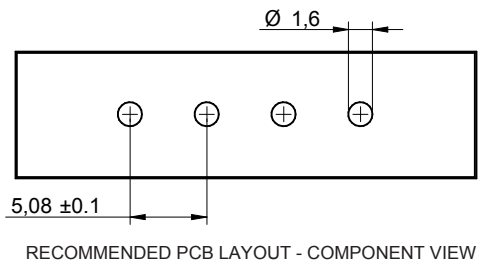
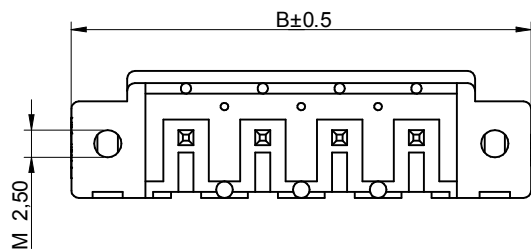




THE DATASHEET OF
691701520006B





CHARACTERISTICS

MATERIAL
 Insulator material : LCP
 Flammability rating : UL94-V0
 Colour : Black
 Contact pin : Brass (CuZn)
 Surface of solder tail plating : Tin Plated
 Flange nut : Brass - M2.5

ENVIRONMENTAL
 Operating temperature : -40°C up to 105°C
 Compliance : Lead free and RoHS

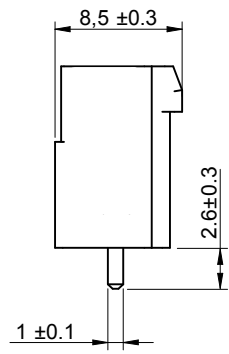
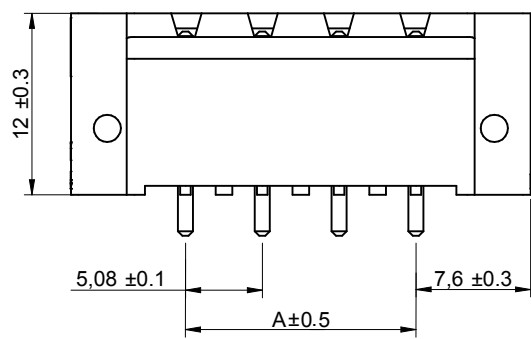
SOLDERING
 Solder temperature : Reflow process as per JEDEC J-020D-STD

ELECTRICAL
 Current rating : 10A
 Working voltage : 300 Vac
 Dielectric withstanding voltage : 4 kVac/min
 Contact resistance : 20 mΩ max

STANDARD
 RoHS Certified : E315414 / Model number 7015

MECHANICAL
 Pitch : 5.08mm

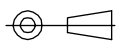
PACKAGING
 Tape & Reel with cap



Poles	A	B
2	5.08	20,32
3	10.16	25.4
4	15.24	30.48
5	20.32	35.56
6	25.4	40.64
7	30.48	45.72
8	35.56	50.8
9	40.64	55.88
10	45.72	60.96
11	50.8	66.04
12	55.88	71.12

RoHS Compliant

G			
F			
E			
D			
C			
B	19-DEC-11	6917015200xx	QL
A	14-SEP-11	PDF	QL
REV	DATE	FILE	BY

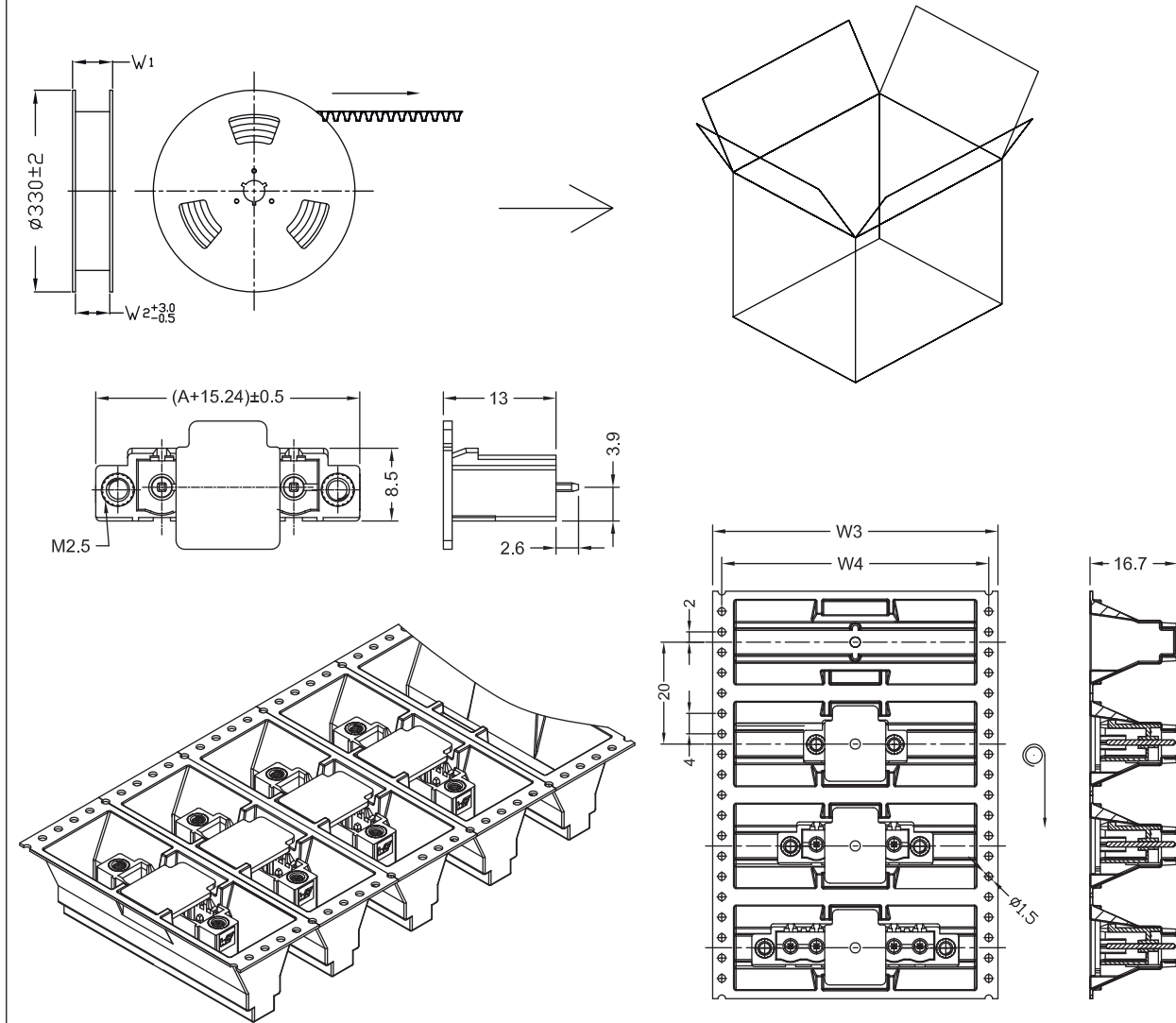
PROJECTION:

 APPROVAL: RJ

GENERAL TOLERANCE
 .X = +/- 0.2
 .XX = +/- 0.15
 UNIT: MM
 SCALE: 2/1
 SHEET: 1/2
 DRAW: QUENTIN



DESCRIPTION: SERIE 7015B - 5.08MM CLOSED VERTICAL PCB HEADER - THR TYPE WITH FLANGES
 WERI PART NO: 691 701 520 0xx B

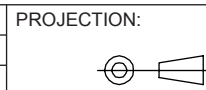
SIZE
A4



- 1. 10 sprocket hole pitch cumulative tolerance ± 0.20
- 2. Carrier camber is within 1 mm in 250 mm.
- 3. Material : Black Conductive Polystyrene Alloy.
Transparent anti-static PET
- 4. All dimensions meet EIA-481-C requirements.
- 5. Thickness : 0.50 ± 0.05 mm.
- 6. Component load per 13" reel : 150 pcs.

Poles	A	Dimension				Packing (Reel/coton)	Carton dimensions (cm)	Quantity / Carton
		W1(mm)	W2(mm)	W3(mm)	W4(mm)			
2	5.08	36.4	32	32	28.4	10	33.5 x 33.5 x 40	1500
3	10.16	60.4	56	56	52.5	6	33.5 x 33.5 x 40	900
4	15.24	60.4	56	56	52.5	6	33.5 x 33.5 x 40	900
5	20.32	60.4	56	56	52.5	6	33.5 x 33.5 x 40	900
6	25.40	60.4	56	56	52.5	6	33.5 x 33.5 x 40	900
7	30.48	92.4	88	88	84.4	4	33.5 x 33.5 x 40	600
8	35.56	92.4	88	88	84.4	4	33.5 x 33.5 x 40	600
9	40.64	92.4	88	88	84.4	4	33.5 x 33.5 x 40	600
10	45.72	92.4	88	88	84.4	4	33.5 x 33.5 x 40	600
11	50.80	92.4	88	88	84.4	4	33.5 x 33.5 x 40	600
12	55.88	92.4	88	88	84.4	4	33.5 x 33.5 x 40	600

RoHS Compliant			
G			
F			
E			
D			
C			
B			
A			
REV	DATE	FILE	BY



GENERAL TOLERANCE
 .X = ± 0.2
 .XX = ± 0.15

APPROVAL: RJ

UNIT: MM
 SCALE:
 SHEET: 2/2
 DRAW: QUENTIN



DESCRIPTION: SERIE 7015B - 5.08MM CLOSED VERTICAL PCB HEADER - THR TYPE WITH FLANGES
 WERI PART NO: 691 701 520 0xx B

SIZE
A4

Looking for pricing, stock, or lifecycle information?

Click below to explore more details on WIN SOURCE:

 [View 691701520006B on WIN SOURCE](#)

 [Wurth Electronics Inc Information](#)

Optimize Your Supply Chain with WIN SOURCE Solutions

-  Global Sourcing Solution
-  Obsolete Management
-  Cost Control Management
-  Shortage Management
-  Alternative Solution
-  Excess Inventory Management