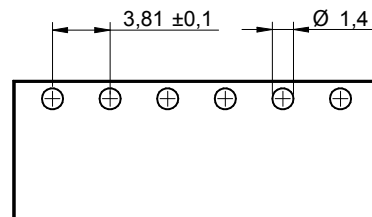




**THE DATASHEET OF**  
**691701340008B**





RECOMMENDED PCB LAYOUT - COMPONENT VIEW

## CHARACTERISTICS

## MATERIAL

Insulator material : LCP  
 Flammability rating : UL94-V0  
 Colour : Black  
 Contact pin : Brass (CuZn)  
 Surface of solder tail plating : Tin Plated

## ENVIRONMENTAL

Operating temperature : -40°C up to 105°C  
 Compliance : Lead free and RoHS


## SOLDERING

Solder temperature : Reflow process as per JEDEC J-020D-STD

## ELECTRICAL

Current rating : 10A  
 Working voltage : 300 Vac  
 Dielectric withstanding voltage : 2.5 kVac/min  
 Contact resistance : 20 mΩ max

## STANDARD

c  us Certified : E315414 / Model number 7013

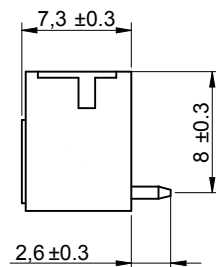
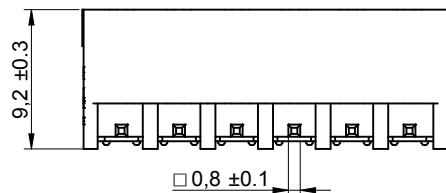
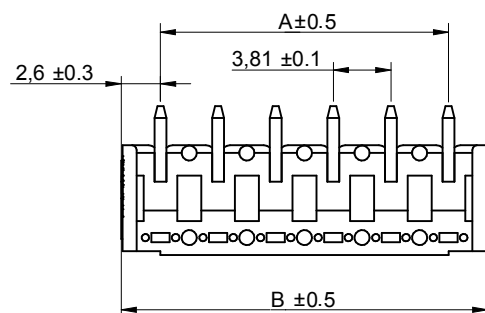
## MECHANICAL

Pitch : 3.81mm

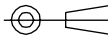

## PACKAGING

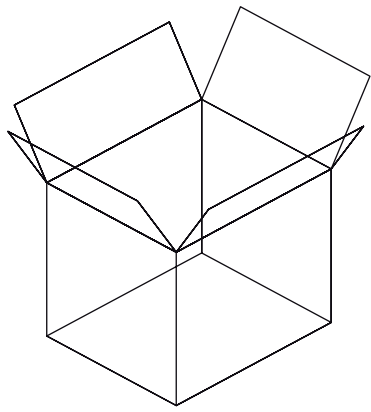
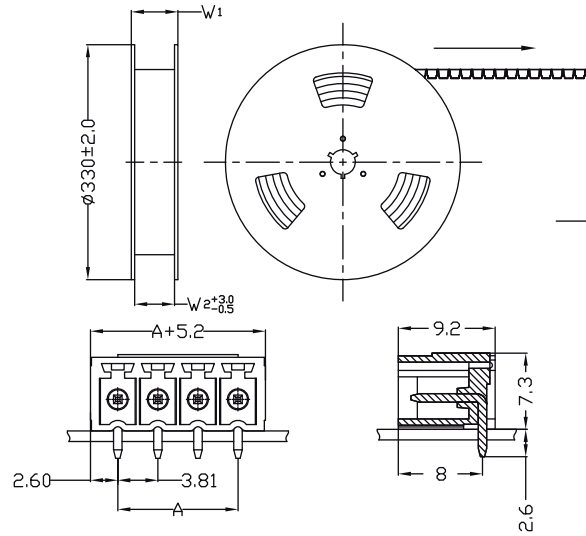
Tape & Reel

Poles	A	B
2	3.81	9.01
3	7.62	12.82
4	11.43	16.63
5	15.24	20.44
6	19.05	24.25
7	22.86	28.06
8	26.67	31.87
9	30.48	35.68
10	34.29	39.49
11	38.1	43.3
12	41.91	47.11

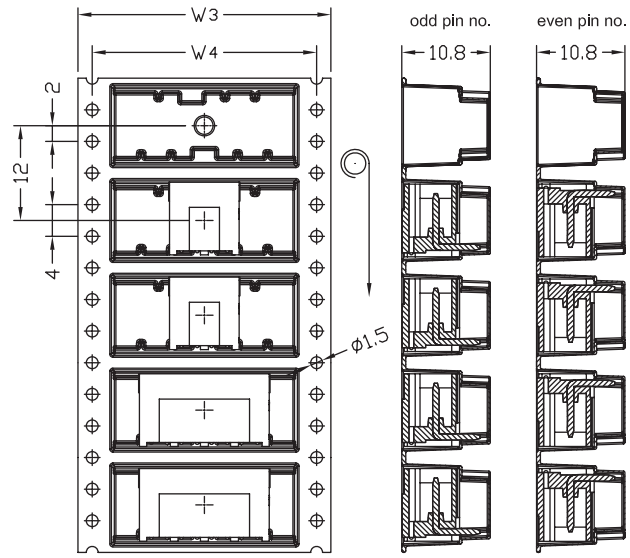
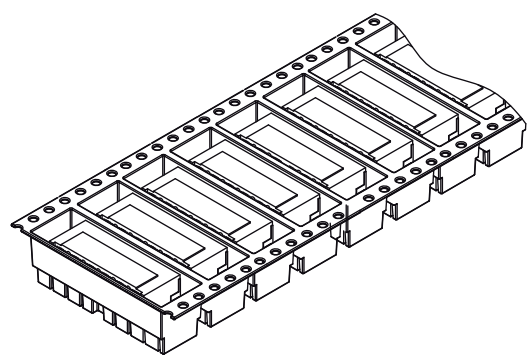


RoHS Compliant

G				PROJECTION: 	GENERAL TOLERANCE X = $\pm 0.2$ XX = $\pm 0.15$		
F							
E							
D	29-JUL-13	DWG REVIEW	QL	APPROVAL: RJ	UNIT: MM	DESCRIPTION: SERIE 7013B - 3.81MM HORIZONTAL PCB HEADER - THR TYPE	
C	12-JAN-12	A	GG		SCALE: 2/1		WERI PART NO: 691 701 340 0xx B
B	19-DEC-11	6917013400xx	QL		SHEET: 1/2		
A	14-SEP-11	PDF	QL		DRAW: QUENTIN		
REV	DATE	FILE	BY			SIZE <b>A4</b>	



- 10 sprocket hole pitch cumulative tolerance  $\pm 0.20$
- Carrier camber is within 1 mm in 250 mm.
- Material : Black Conductive Polystyrene Alloy.  
Transparent anti-static PET
- All dimensions meet EIA-481-C requirements.
- Thickness :  $0.50 \pm 0.05$  mm.
- Component load per 13" reel : 450 pcs.



Poles	A	Dimension				Reel / carton	Carton dimensions (cm)	Quantity / Carton
		W1(mm)	W2(mm)	W3(mm)	W4(mm)			
2	3.81	36.4	32	32	28.4	10	33.5 x 33.5 x 40	4500
3	7.62	36.4	32	32	28.4	10	33.5 x 33.5 x 40	4500
4	11.43	36.4	32	32	28.4	10	33.5 x 33.5 x 40	4500
5	15.24	60.4	56	56	52.5	6	33.5 x 33.5 x 40	2700
6	19.05	60.4	56	56	52.5	6	33.5 x 33.5 x 40	2700
7	22.86	60.4	56	56	52.5	6	33.5 x 33.5 x 40	2700
8	26.67	60.4	56	56	52.5	6	33.5 x 33.5 x 40	2700
9	30.48	60.4	56	56	52.5	6	33.5 x 33.5 x 40	2700
10	34.29	60.4	56	56	52.5	6	33.5 x 33.5 x 40	2700
11	38.1	60.4	56	56	52.5	6	33.5 x 33.5 x 40	2700
12	41.91	76.4	72	72	68.5	5	33.5 x 33.5 x 40	2250

RoHS Compliant				PROJECTION: 	GENERAL TOLERANCE .X = $\pm 0.2$ .XX = $\pm 0.15$	
G						
F						
E						
D						
C				APPROVAL: RJ	UNIT: MM	DESCRIPTION: SERIE 7013B - 3.81MM HORIZONTAL PCB HEADER - THR TYPE WERI PART NO: 691 701 340 0xx B
B					SCALE:	
A					SHEET: 2/2	
REV	DATE	FILE	BY		DRAW: QUENTIN	
SIZE <b>A4</b>						

## Looking for pricing, stock, or lifecycle information?

Click below to explore more details on WIN SOURCE:

 [View 691701340008B on WIN SOURCE](#)

 [Wurth Electronics Inc Information](#)

## Optimize Your Supply Chain with WIN SOURCE Solutions

-  Global Sourcing Solution
-  Obsolete Management
-  Cost Control Management
-  Shortage Management
-  Alternative Solution
-  Excess Inventory Management