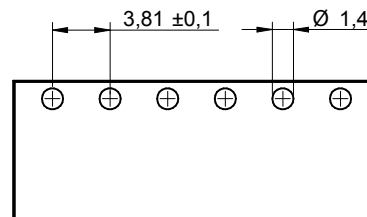




THE DATASHEET OF
691701340005B





RECOMMENDED PCB LAYOUT - COMPONENT VIEW

CHARACTERISTICS

MATERIAL

Insulator material : LCP
 Flammability rating : UL94-V0
 Colour : Black
 Contact pin : Brass (CuZn)
 Surface of solder tail plating : Tin Plated

ENVIRONMENTAL

Operating temperature : -40°C up to 105°C
 Compliance : Lead free and RoHS

SOLDERING

Solder temperature : Reflow process as per JEDEC J-020D-STD

ELECTRICAL

Current rating : 10A
 Working voltage : 300 Vac
 Dielectric withstanding voltage : 2.5 kVac/min
 Contact resistance : 20 mΩ max

STANDARD

RoHS Certified : E315414 / Model number 7013

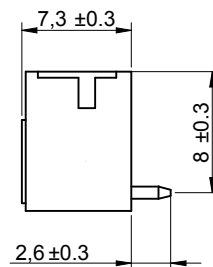
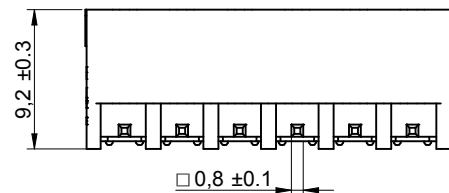
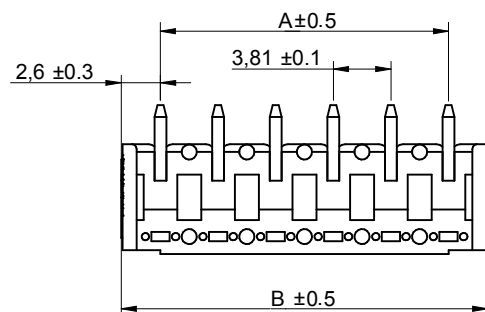
MECHANICAL

Pitch : 3.81mm

PACKAGING

Tape & Reel

Poles	A	B
2	3.81	9.01
3	7.62	12.82
4	11.43	16.63
5	15.24	20.44
6	19.05	24.25
7	22.86	28.06
8	26.67	31.87
9	30.48	35.68
10	34.29	39.49
11	38.1	43.3
12	41.91	47.11



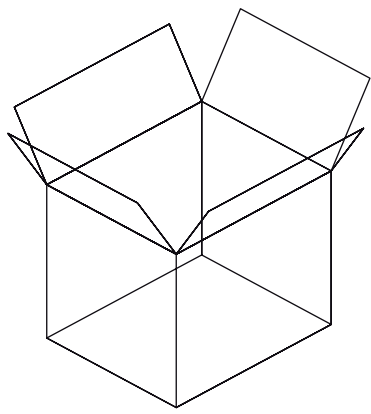
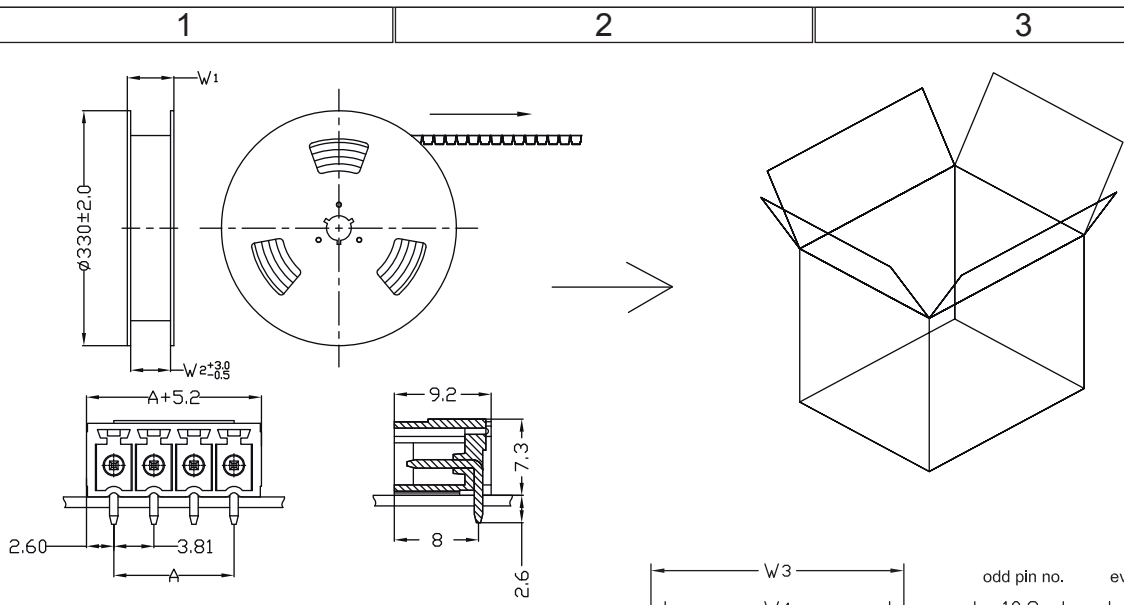
A

B

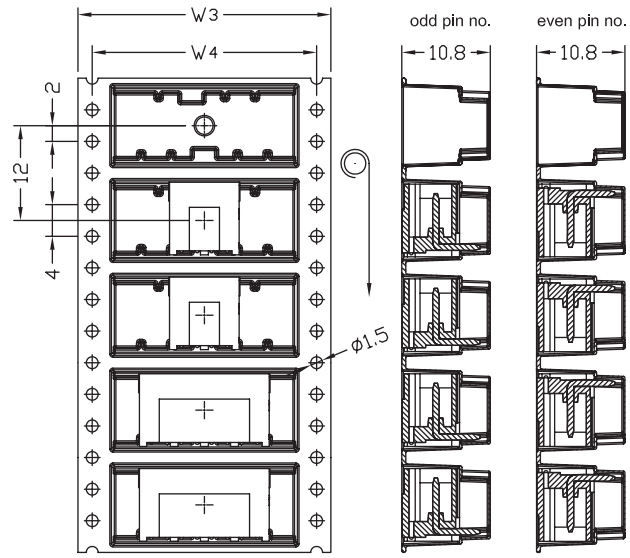
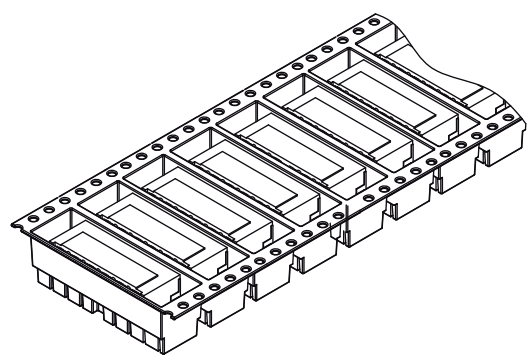
C

D

RoHS Compliant				PROJECTION: 	GENERAL TOLERANCE .X = +/- 0.2 .XX = +/- 0.15		DESCRIPTION: SERIE 7013B - 3.81MM HORIZONTAL PCB HEADER - THR TYPE	SIZE A4
G								
F								
E								
D	29-JUL-13	DWG REVIEW	QL	APPROVAL: RJ	UNIT: MM	WERI PART NO: 691 701 340 0xx B		
C	12-JAN-12	A	GG		SCALE: 2/1			
B	19-DEC-11	6917013400xx	QL		SHEET: 1/2			
A	14-SEP-11	PDF	QL		DRAW: QUENTIN			
REV	DATE	FILE	BY					

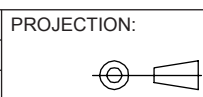


1. 10 sprocket hole pitch cumulative tolerance ± 0.20
2. Carrier camber is within 1 mm in 250 mm.
3. Material : Black Conductive Polystyrene Alloy.
Transparent anti-static PET
4. All dimensions meet EIA-481-C requirements.
5. Thickness : 0.50 ± 0.05 mm.
6. Component load per 13" reel : 450 pcs.



Poles	A	Dimension				Reel / carton	Carton dimensions (cm)	Quantity / Carton
		W1(mm)	W2(mm)	W3(mm)	W4(mm)			
2	3.81	36.4	32	32	28.4	10	33.5 x 33.5 x 40	4500
3	7.62	36.4	32	32	28.4	10	33.5 x 33.5 x 40	4500
4	11.43	36.4	32	32	28.4	10	33.5 x 33.5 x 40	4500
5	15.24	60.4	56	56	52.5	6	33.5 x 33.5 x 40	2700
6	19.05	60.4	56	56	52.5	6	33.5 x 33.5 x 40	2700
7	22.86	60.4	56	56	52.5	6	33.5 x 33.5 x 40	2700
8	26.67	60.4	56	56	52.5	6	33.5 x 33.5 x 40	2700
9	30.48	60.4	56	56	52.5	6	33.5 x 33.5 x 40	2700
10	34.29	60.4	56	56	52.5	6	33.5 x 33.5 x 40	2700
11	38.1	60.4	56	56	52.5	6	33.5 x 33.5 x 40	2700
12	41.91	76.4	72	72	68.5	5	33.5 x 33.5 x 40	2250

RoHS Compliant			
G			
F			
E			
D			
C			
B			
A			
REV	DATE	FILE	BY



GENERAL TOLERANCE
.X = ± 0.2
.XX = ± 0.15



APPROVAL: RJ

UNIT: MM
SCALE:
SHEET: 2/2
DRAW: QUENTIN

DESCRIPTION: SERIE 7013B - 3.81MM HORIZONTAL PCB HEADER - THR TYPE
WERI PART NO: 691 701 340 0xx B

SIZE
A4

Looking for pricing, stock, or lifecycle information?

Click below to explore more details on WIN SOURCE:

 [View 691701340005B on WIN SOURCE](#)

 [Wurth Electronics Inc Information](#)

Optimize Your Supply Chain with WIN SOURCE Solutions

-  Global Sourcing Solution
-  Obsolete Management
-  Cost Control Management
-  Shortage Management
-  Alternative Solution
-  Excess Inventory Management