



**THE DATASHEET OF
691701320004B**



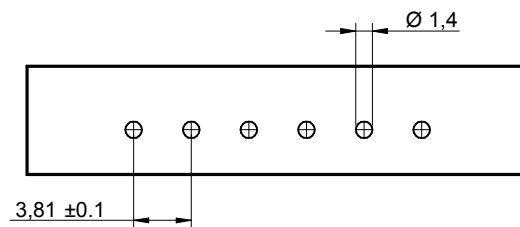
1

2

3

4

5



RECOMMENDED PCB LAYOUT - COMPONENT VIEW

CHARACTERISTICS

MATERIAL

Insulator material : LCP
 Flammability rating : UL94-V0
 Colour : Black
 Contact pin : Brass (CuZn)
 Surface of solder tail plating : Tin Plated
 Flange nut : Brass - M2.5

ENVIRONMENTAL

Operating temperature : -40°C up to 105°C
 Compliance : Lead free and RoHS


SOLDERING

Solder temperature : Reflow process as per JEDEC J-020D-STD

ELECTRICAL

Current rating : 10A
 Working voltage : 300 Vac
 Dielectric withstanding voltage : 2.5 kVac/min
 Contact resistance : 20 mΩ max

STANDARD

 Certified : E315414 / Model number 7013

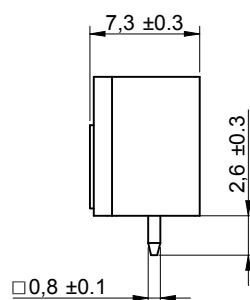
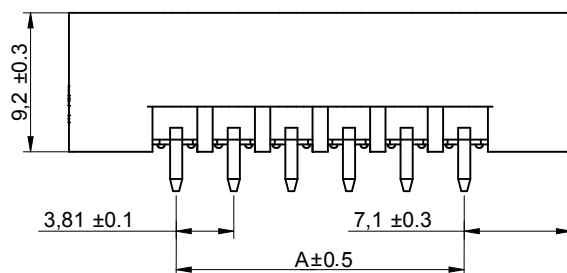
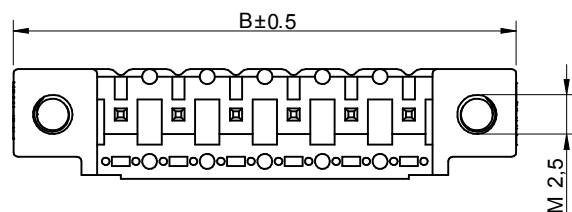
MECHANICAL

Pitch : 3.81mm

PACKAGING

Tape & Reel with cap

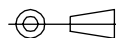
Poles	A	B
2	3.81	18.01
3	7.62	21.82
4	11.43	25.63
5	15.24	29.44
6	19.05	33.25
7	22.86	37.06
8	26.67	40.87
9	30.48	44.68
10	34.29	48.49
11	38.1	52.3
12	41.91	56.11



RoHS Compliant

G			
F			
E			
D			
C	29-JUL-13	DWG REVIEW	QL
B	19-DEC-11	6917013200xx	QL
A	14-SEP-11	PDF	QL
REV	DATE	FILE	BY

PROJECTION:



APPROVAL: RJ

GENERAL TOLERANCE

.X = +/- 0.2

.XX = +/- 0.15

UNIT: MM

SCALE: 2/1

SHEET: 1/2

DRAW: QUENTIN

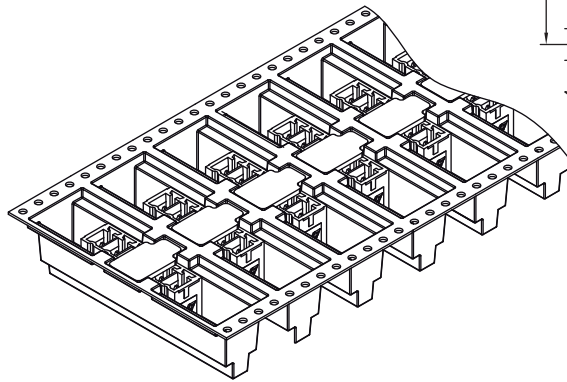
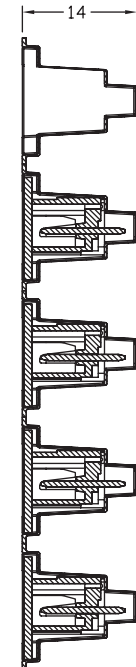
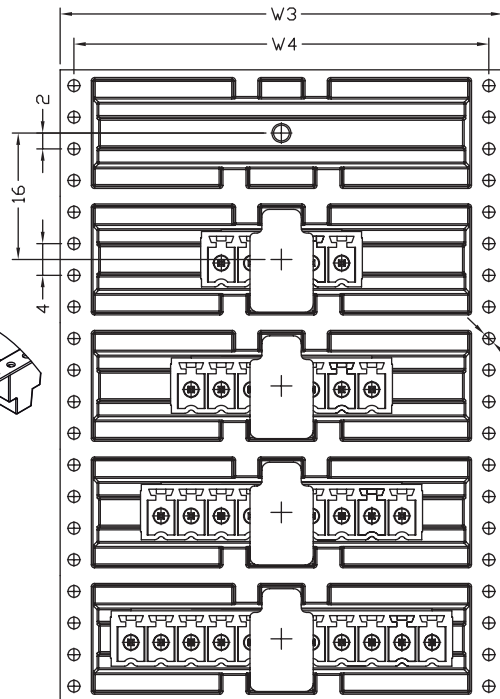
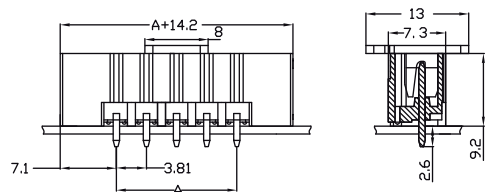
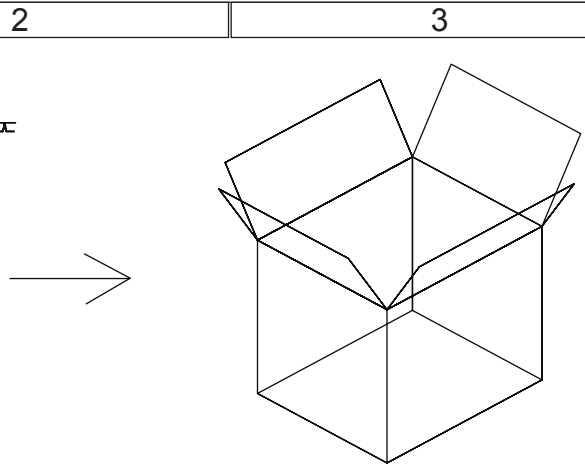
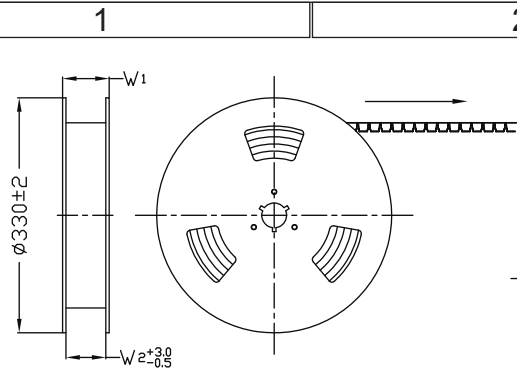


DESCRIPTION: SERIE 7013B - 3.81MM VERTICAL PCB HEADER - THR TYPE
 WITH FLANGES

WERI PART NO: 691 701 320 0xx B

SIZE

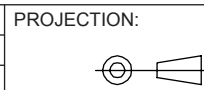
A4



1. 10 sprocket hole pitch cumulative tolerance ± 0.20
2. Carrier camber is within 1 mm in 250 mm.
3. Material : Black Conductive Polystyrene Alloy.
Transparent anti-static PET
4. All dimensions meet EIA-481-C requirements.
5. Thickness : 0.50 ± 0.05 mm.
6. Component load per 13" reel : 250 pcs.

Poles	A	Dimension				Reel / carton	Carton dimensions (cm)	Quantity / Carton
		W1(mm)	W2(mm)	W3(mm)	W4(mm)			
2	3.81	36.4	32	32	28.4	10	33.5 x 33.5 x 40	2500
3	7.62	60.4	56	56	52.5	6	33.5 x 33.5 x 40	1500
4	11.43	60.4	56	56	52.5	6	33.5 x 33.5 x 40	1500
5	15.24	60.4	56	56	52.5	6	33.5 x 33.5 x 40	1500
6	19.05	60.4	56	56	52.5	6	33.5 x 33.5 x 40	1500
7	22.86	60.4	56	56	52.5	6	33.5 x 33.5 x 40	1500
8	26.67	60.4	56	56	52.5	6	33.5 x 33.5 x 40	1500
9	30.48	76.4	72	72	68.5	5	33.5 x 33.5 x 40	1250
10	34.29	76.4	72	72	68.5	5	33.5 x 33.5 x 40	1250
11	38.1	76.4	72	72	68.5	5	33.5 x 33.5 x 40	1250
12	41.91	76.4	72	72	68.5	5	33.5 x 33.5 x 40	1250

RoHS Compliant			
G			
F			
E			
D			
C			
B			
A			
REV	DATE	FILE	BY



GENERAL TOLERANCE
 .X = ± 0.2
 .XX = ± 0.15



APPROVAL: RJ

UNIT: MM
 SCALE:
 SHEET: 2/2
 DRAW: QUENTIN

DESCRIPTION: SERIE 7013B - 3.81MM VERTICAL PCB HEADER - THR TYPE WITH FLANGES

WERI PART NO: 691 701 320 0xx B

SIZE
A4

Looking for pricing, stock, or lifecycle information?

Click below to explore more details on WIN SOURCE:

 [View 691701320004B on WIN SOURCE](#)

 [Wurth Electronics Inc Information](#)

Optimize Your Supply Chain with WIN SOURCE Solutions

-  Global Sourcing Solution
-  Obsolete Management
-  Cost Control Management
-  Shortage Management
-  Alternative Solution
-  Excess Inventory Management