



**THE DATASHEET OF**  
**691701310011B**



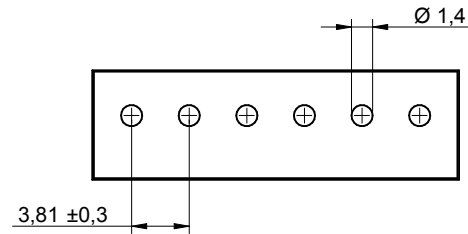
1

2

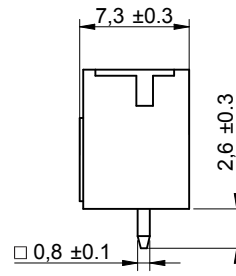
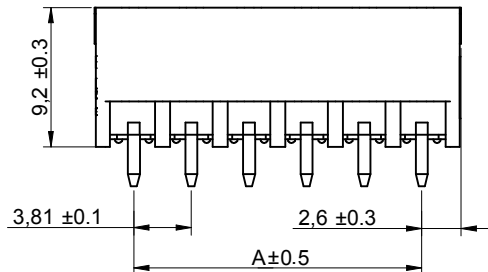
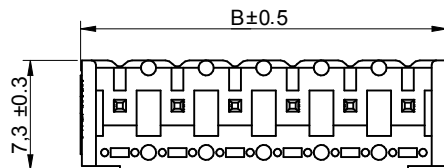
3

4

5



RECOMMENDED PCB LAYOUT - COMPONENT VIEW



| Poles | A     | B     |
|-------|-------|-------|
| 2     | 3.81  | 9.01  |
| 3     | 7.62  | 12.82 |
| 4     | 11.43 | 16.63 |
| 5     | 15.24 | 20.44 |
| 6     | 19.05 | 24.25 |
| 7     | 22.86 | 28.06 |
| 8     | 26.67 | 31.87 |
| 9     | 30.48 | 35.68 |
| 10    | 34.29 | 39.49 |
| 11    | 38.1  | 43.3  |
| 12    | 41.91 | 47.11 |

## CHARACTERISTICS

## MATERIAL

Insulator material : LCP

Flammability rating : UL94-V0

Colour : Black

Contact pin : Brass (CuZn)

Surface of solder tail plating : Tin Plated

## ENVIRONMENTAL

Operating temperature : -40°C up to 105°C

Compliance : Lead free and RoHS

## SOLDERING

Solder temperature : Reflow process as per JEDEC J-020D-STD

## ELECTRICAL


Current rating : 10A

Working voltage : 300 Vac

Dielectric withstanding voltage : 2.5 kVac/min

Contact resistance : 20 mΩ max

## STANDARD

c  us Certified : E315414 / Model number 7013

## MECHANICAL

Pitch : 3.81mm

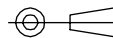
## PACKAGING

Tape &amp; Reel with cap

RoHS Compliant

|     |           |              |    |
|-----|-----------|--------------|----|
| G   |           |              |    |
| F   |           |              |    |
| E   |           |              |    |
| D   |           |              |    |
| C   | 29-JUL-13 | DWG REVIEW   | QL |
| B   | 19-DEC-11 | 6917013100xx | QL |
| A   | 14-SEP-11 | PDF          | QL |
| REV | DATE      | FILE         | BY |

PROJECTION:



APPROVAL: RJ

GENERAL TOLERANCE

.X = +/\_ 0.2

.XX = +/\_ 0.15

UNIT: MM

SCALE: 2/1

SHEET: 1/2

DRAW: QUENTIN

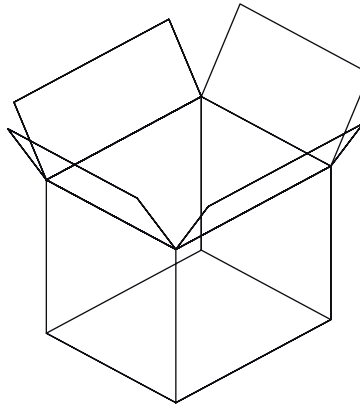
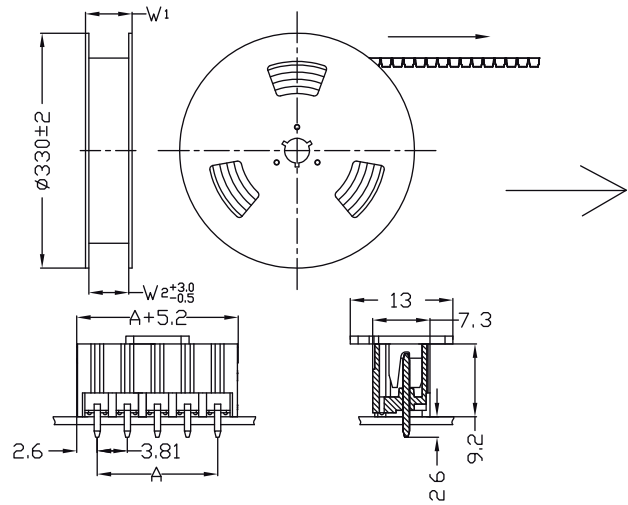


DESCRIPTION: SERIE 7013B - 3.81MM VERTICAL PCB HEADER - THR TYPE

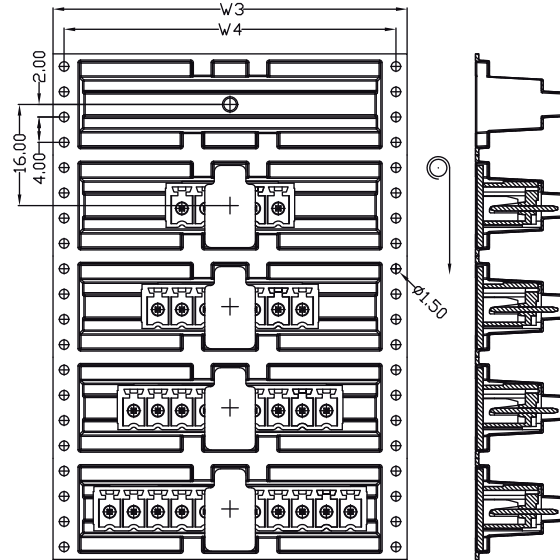
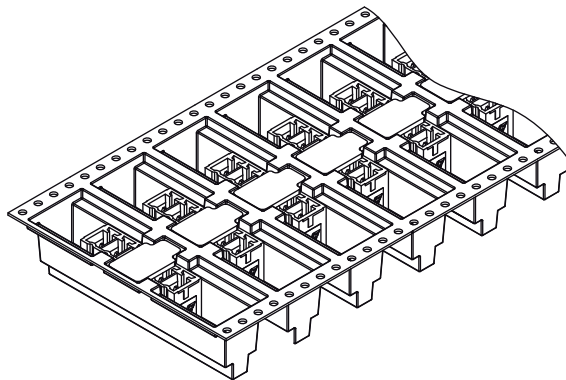
SIZE

WERI PART NO: 691 701 310 0xx B

**A4**

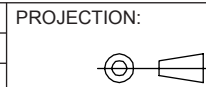


1. 10 sprocket hole pitch cumulative tolerance  $\pm 0.20$
2. Carrier camber is within 1 mm in 250 mm.
3. Material : Black Conductive Polystyrene Alloy.  
Transparent anti-static PET
4. All dimensions meet EIA-481-C requirements.
5. Thickness :  $0.50 \pm 0.05$  mm.
6. Component load per 13" reel : 250 pcs.



| Poles | A     | Dimension |        |        |        | Reel / carton | Carton dimensions (cm) | Quantity / Carton |
|-------|-------|-----------|--------|--------|--------|---------------|------------------------|-------------------|
|       |       | W1(mm)    | W2(mm) | W3(mm) | W4(mm) |               |                        |                   |
| 2     | 3.81  | 36.4      | 32     | 32     | 28.4   | 10            | 33.5 x 33.5 x 40       | 2500              |
| 3     | 7.62  | 36.4      | 32     | 32     | 28.4   | 10            | 33.5 x 33.5 x 40       | 2500              |
| 4     | 11.43 | 36.4      | 32     | 32     | 28.4   | 10            | 33.5 x 33.5 x 40       | 2500              |
| 5     | 15.24 | 60.4      | 56     | 56     | 52.5   | 6             | 33.5 x 33.5 x 40       | 1500              |
| 6     | 19.05 | 60.4      | 56     | 56     | 52.5   | 6             | 33.5 x 33.5 x 40       | 1500              |
| 7     | 22.86 | 60.4      | 56     | 56     | 52.5   | 6             | 33.5 x 33.5 x 40       | 1500              |
| 8     | 26.67 | 60.4      | 56     | 56     | 52.5   | 6             | 33.5 x 33.5 x 40       | 1500              |
| 9     | 30.48 | 60.4      | 56     | 56     | 52.5   | 6             | 33.5 x 33.5 x 40       | 1500              |
| 10    | 34.29 | 60.4      | 56     | 56     | 52.5   | 6             | 33.5 x 33.5 x 40       | 1500              |
| 11    | 38.1  | 76.4      | 72     | 72     | 68.5   | 5             | 33.5 x 33.5 x 40       | 1250              |
| 12    | 41.91 | 76.4      | 72     | 72     | 68.5   | 5             | 33.5 x 33.5 x 40       | 1250              |

|                |      |      |    |
|----------------|------|------|----|
| RoHS Compliant |      |      |    |
| G              |      |      |    |
| F              |      |      |    |
| E              |      |      |    |
| D              |      |      |    |
| C              |      |      |    |
| B              |      |      |    |
| A              |      |      |    |
| REV            | DATE | FILE | BY |



GENERAL TOLERANCE  
 .X =  $\pm 0.2$   
 .XX =  $\pm 0.15$



APPROVAL: RJ

UNIT: MM  
 SCALE:  
 SHEET: 2/2  
 DRAW: QUENTIN

DESCRIPTION: SERIE 7013B - 3.81MM VERTICAL PCB HEADER - THR TYPE

WERI PART NO: 691 701 310 0xx B

SIZE  
**A4**

## Looking for pricing, stock, or lifecycle information?

Click below to explore more details on WIN SOURCE:

 [View 691701310011B on WIN SOURCE](#)

 [Wurth Electronics Inc Information](#)

## Optimize Your Supply Chain with WIN SOURCE Solutions

-  Global Sourcing Solution
-  Obsolete Management
-  Cost Control Management
-  Shortage Management
-  Alternative Solution
-  Excess Inventory Management