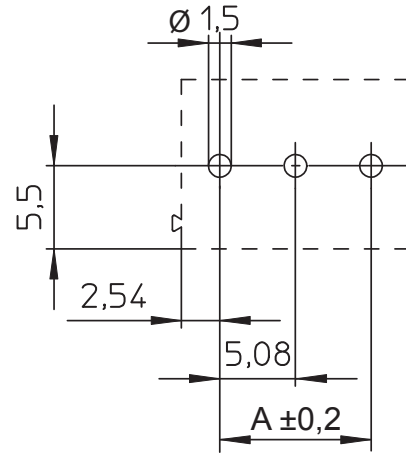
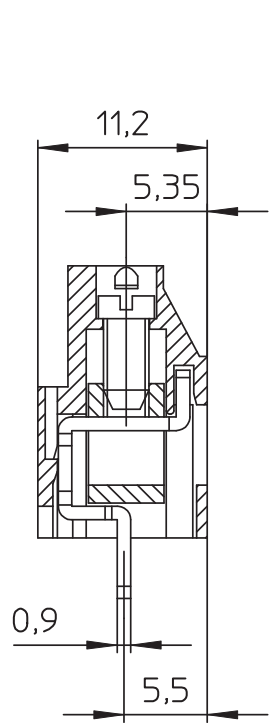
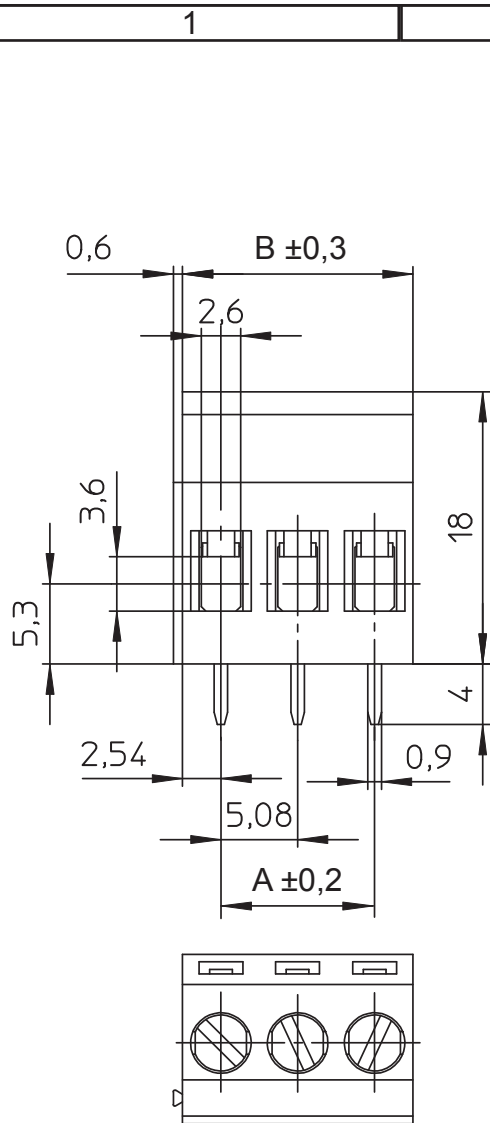




THE DATASHEET OF
691253510003





PCB LAYOUT - COMPONENT VIEW

A = (nb. pin-1) x pitch
 B = (nb. pin x pitch)

TECHNICAL CHARACTERISTICS

MATERIAL
 INSULATOR: PA6/66
 FLAMMABILITY RATING: UL94V0
 COLOR: GREEN
 METAL HOUSING: COPPER ALLOY / Ni+Sn
 TERMINAL SCREW: STEEL / Zn
 WIRE GUARD: COPPER ALLOY / Ni+Sn

ENVIRONMENTAL
 OPERATING TEMPERATURE: -30°C UP TO +120°C
 COMPLIANCE: LEAD FREE AND ROHS

ELECTRICAL

| | |
|-------------------------------|--------|
| UL | VDE |
| CURRENT RATING: 16A | 24A |
| WORKING VOLTAGE: 300VAC | 450VAC |
| WITHSTANDING VOLTAGE: 1,6KV | 2,5KV |
| CONTACT RESISTANCE: 20 mΩ MAX | |

STANDARD
 CERTIFIED: E150931 CAT. N°: MRT5 (2)
 CERTIFIED: 40021392 TYPE: MRT5

MECHANICAL
 SOLID WIRE: 30-12 AWG / 0,05-3,31 mm²
 STRANDED WIRE: 30-12 AWG / 0,05-3,31 mm²
 TORQUE: 5lb.In / 0,5 Nm

WIRE STRIPE LENGTH: 6 mm
 SCREW: M3
 PITCH: 5,08 mm

SOLDERING
 JEDEC LEAD FREE WAVE SOLDERING

PACKAGING
 BOX

| | | | |
|----------------|-----------|------|----|
| RoHS Compliant | | | |
| G | | | |
| F | | | |
| E | | | |
| D | | | |
| C | | | |
| B | | | |
| A | 26-AUG-14 | PDF | AK |
| REV | DATE | FILE | BY |

| | |
|--------------|-------------------|
| PROJECTION: | GENERAL TOLERANCE |
| | ±0,1 |
| APPROVAL: QL | UNIT: MM |
| | SCALE: |
| | SHEET: 1/1 |
| | DRAW: AK |

| | | |
|------------------|--|-----------|
| | DESCRIPTION: SERIE 2535 - 5.08 MM - HORIZONTAL CABLE ENTRY WITH RISING CAGE CLAMP - WR-TBL | SIZE |
| WÜRTH ELEKTRONIK | | |
| | WERI PART NO: 691 253 510 0xx | A4 |

1

2

3

4

5

Cautions and Warnings:

This electronic component is designed and developed with the intention for use in general electronics equipments.

Before incorporating the components into any equipments in the field such as aerospace, aviation, nuclear control, submarine, transportation, (automotive control, train control, ship control), transportation signal, disaster prevention, medical, public information network etc. where higher safety and reliability are especially required or if there is possibility of direct damage or injury to human body, Würth Elektronik must be asked for a written approval.

In addition, even electronic component in general electronic equipments, when used in electrical circuits that require high safety, reliability functions or performance, the sufficient reliability evaluation-check for the safety must be performed before by the user before usage.

A

B

C

RoHS Compliant

PROJECTION:



GENERAL TOLERANCE

.X = +/- 0.2

.XX = +/- 0.15



APPROVAL: JC

UNIT: MM

SCALE:

SHEET: 2/2

DRAW: QL



DESCRIPTION: DISCLAIMER

WERI PART NO: DISCLAIMER

SIZE

A4

D

| | | | | | | | |
|-----|-----------|------|----|--|---|---|-------------------|
| G | | | | PROJECTION:  | GENERAL TOLERANCE .X = +/- 0.2 .XX = +/- 0.15 |  | |
| F | | | | | | | |
| E | | | | | | | |
| D | | | | | | | |
| C | | | | APPROVAL: JC | UNIT: MM SCALE: SHEET: 2/2 DRAW: QL | DESCRIPTION: DISCLAIMER | |
| B | | | | | | | |
| A | 10-SEP-14 | PDF | QL | | | WERI PART NO: DISCLAIMER | SIZE A4 |
| REV | DATE | FILE | BY | | | | |

Looking for pricing, stock, or lifecycle information?

Click below to explore more details on WIN SOURCE:

 [View 691253510003 on WIN SOURCE](#)

 [Wurth Electronics Inc Information](#)

Optimize Your Supply Chain with WIN SOURCE Solutions

-  Global Sourcing Solution
-  Obsolete Management
-  Cost Control Management
-  Shortage Management
-  Alternative Solution
-  Excess Inventory Management