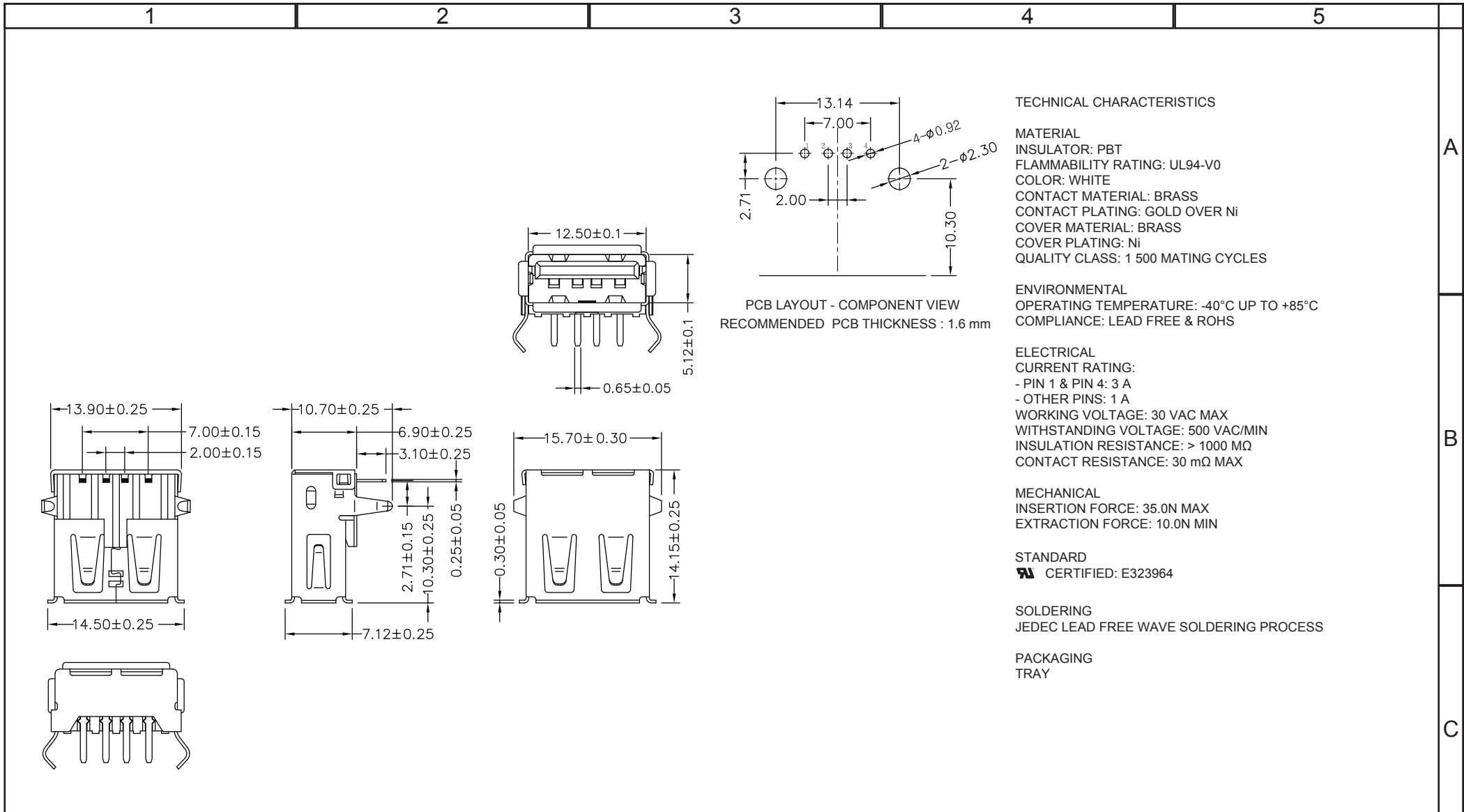




**THE DATASHEET OF**  
**614004190021**





RoHS Compliant			
G			
F			
E			
D			
C	20-JUN-17	OTHER PINS	AK
B	23-JAN-17	CERTIFIED	AK
A	19-JUN-15	PDF	AK
REV	DATE	FILE	BY

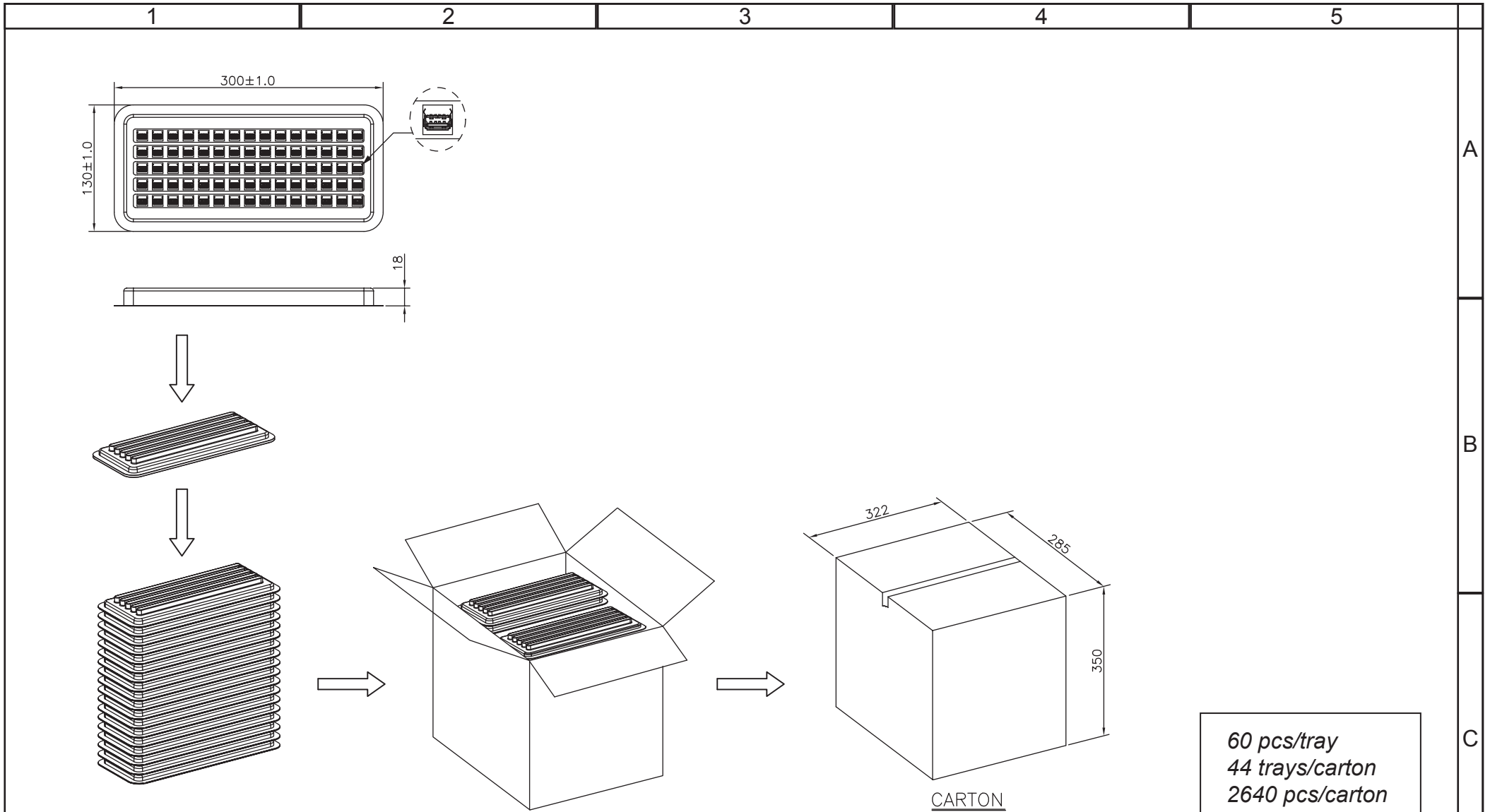
PROJECTION:			
APPROVAL: NPr			

GENERAL TOLERANCE	
.X =	+/- 0.2
.XX =	+/- 0.15

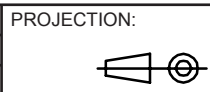
UNIT: MM	
SCALE:	
SHEET: 1/3	
DRAW: AK	

DESCRIPTION: USB 2.0 TYPE A HORIZONTAL THT		SIZE
WERI PART NO: 614 004 190 021		

SIZE	D
<b>A4</b>	



RoHS Compliant			
G			
F			
E			
D			
C			
B			
A			
REV	DATE	FILE	BY



GENERAL TOLERANCE  
.X =  $\pm 0.2$   
.XX =  $\pm 0.15$



APPROVAL: NPr

UNIT: MM  
SCALE:  
SHEET: 2/3  
DRAW: AK

DESCRIPTION: USB 2.0 TYPE A HORIZONTAL THT  
WERI PART NO: 614 004 190 021

SIZE  
**A4**

60 pcs/tray  
44 trays/carton  
2640 pcs/carton

1

2

3

4

5

## Cautions and Warnings:

This electronic component is designed and developed with the intention for use in general electronics equipments.

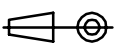

Before incorporating the components into any equipments in the field such as aerospace, aviation, nuclear control, submarine, transportation, (automotive control, train control, ship control), transportation signal, disaster prevention, medical, public information network etc. where higher safety and reliability are especially required or if there is possibility of direct damage or injury to human body, Würth Elektronik must be asked for a written approval.

In addition, even electronic component in general electronic equipments, when used in electrical circuits that require high safety, reliability functions or performance, the sufficient reliability evaluation-check for the safety must be performed before by the user before usage.

A

B

C

RoHS Compliant				PROJECTION: 	GENERAL TOLERANCE .X = +/- 0.2 .XX = +/- 0.15		DESCRIPTION: DISCLAIMER	SIZE <b>A4</b>
G								
F								
E								
D								
C				APPROVAL: JC	UNIT: MM	WERI PART NO: DISCLAIMER	SIZE <b>A4</b>	
B					SCALE:			
A	10-SEP-14	PDF	QL		SHEET: 3/3			
REV	DATE	FILE	BY		DRAW: QL			

D

## Looking for pricing, stock, or lifecycle information?

Click below to explore more details on WIN SOURCE:

 [View 614004190021 on WIN SOURCE](#)

 [Wurth Electronics Inc Information](#)

## Optimize Your Supply Chain with WIN SOURCE Solutions

-  Global Sourcing Solution
-  Obsolete Management
-  Cost Control Management
-  Shortage Management
-  Alternative Solution
-  Excess Inventory Management