



**THE DATASHEET OF**  
**61302221121**



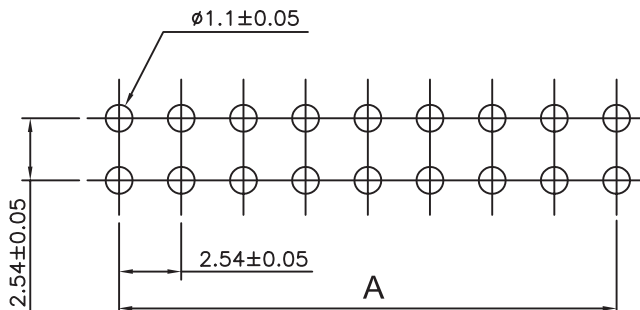
1

2

3

4

5



PCB LAYOUT - COMPONENT VIEW

## TECHNICAL CHARACTERISTICS

MATERIAL  
 INSULATOR: PA6T  
 COLOR: BLACK  
 CONTACT MATERIAL: COPPER ALLOY  
 CONTACT TYPE: STAMPED  
 CONTACT PLATING: GOLD  
 QUALITY CLASS: 3 AS PER CECC 75 301-802  
 PITCH: 2.54MM

ENVIRONMENTAL  
 OPERATING TEMPERATURE: -40 UP TO 105°C  
 FLAMABILITY RATING: UL94-V0  
 COMPLIANCE: LEAD FREE AND ROHS

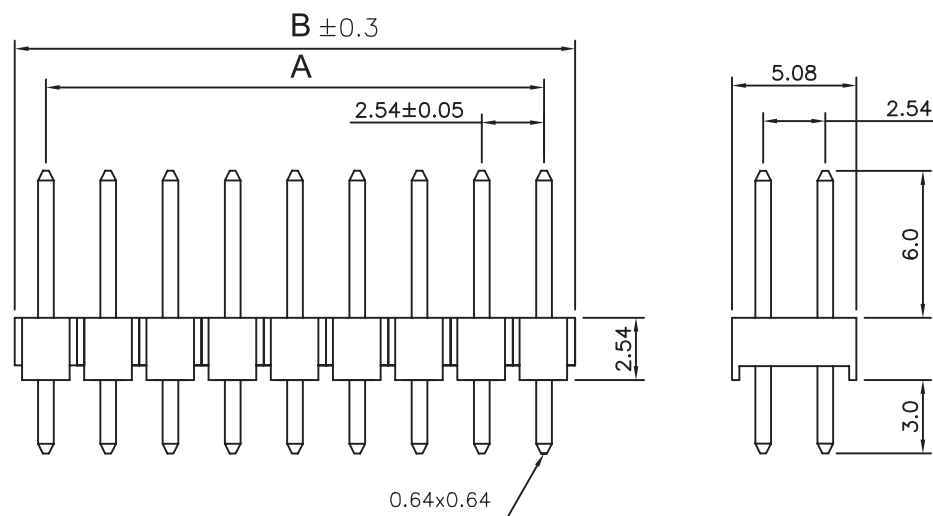
ELECTRICAL  
 CURRENT RATING: 3A  
 WORKING VOLTAGE: 250V AC  
 INSULATOR RESISTANCE: >1000 MOHM  
 DIELECTRIC WITHSTANDING VOLTAGE: 500V AC/MN  
 CONTACT RESISTANCE: 20 mOHM MAX

STANDARD  
 CERTIFIED: E323964

SOLDERING  
 JEDEC LEAD FREE WAVE SOLDERING PROCESS

PACKAGING  
 BAG

DIMENSION  
 A = 2.54 x (NB PINS/2 - 1)  
 B = 2.54 x (NB PINS/2)



RoHS Compliant

PROJECTION:



GENERAL TOLERANCE

.X = +/- 0.2

.XX = +/- 0.15



APPROVAL: GMo

UNIT: MM

SCALE:

SHEET: 1/3

DRAW: PEARL

DESCRIPTION: 2.54MM DUAL PIN HEADER

WERI PART NO: 613 0xx 211 21

SIZE

A4

|     |           |                 |    |  |  |  |  |
|-----|-----------|-----------------|----|--|--|--|--|
|     |           |                 |    |  |  |  |  |
|     |           |                 |    |  |  |  |  |
|     |           |                 |    |  |  |  |  |
|     |           |                 |    |  |  |  |  |
| I   | 16-JUN-15 | PCN PA6T        | AK |  |  |  |  |
| H   | 26-NOV-13 | MATERIAL UPDATE | QL |  |  |  |  |
| REV | DATE      | FILE            | BY |  |  |  |  |

1

2

3

4

5

Note:

1.Dimension

Inner Carton Size:38.4\*26.3\*13(CM)

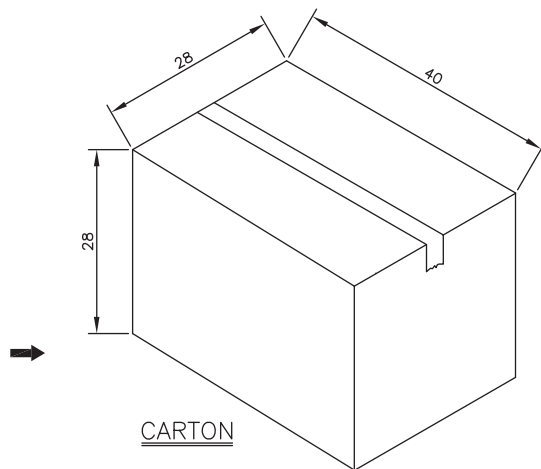
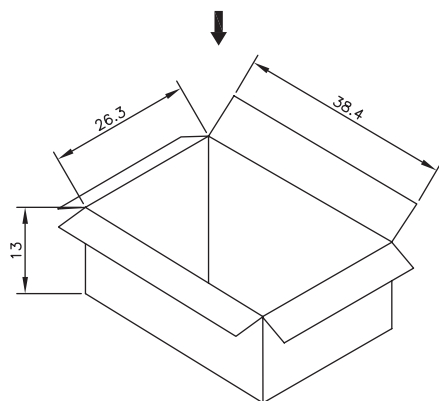
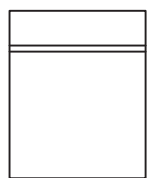
Carton Size:40\*28\*28(CM)

2.Quantity:

2 Inner Carton/Carton

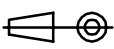

| Pin | Pcs/Bag | Pcs/Inner Carton | Pcs/Carton | Pin | Pcs/Bag | Pcs/Inner Carton | Pcs/Carton |
|-----|---------|------------------|------------|-----|---------|------------------|------------|
| 4   | 2000    | 36000            | 72000      | 44  | 100     | 3600             | 7200       |
| 6   | 2000    | 20000            | 40000      | 46  | 100     | 3600             | 7200       |
| 8   | 2000    | 16000            | 32000      | 48  | 100     | 3600             | 7200       |
| 10  | 2000    | 12000            | 24000      | 50  | 100     | 3600             | 7200       |
| 12  | 1000    | 10000            | 20000      | 52  | 100     | 3600             | 7200       |
| 14  | 1000    | 8000             | 16000      | 54  | 100     | 3600             | 7200       |
| 16  | 500     | 6000             | 12000      | 56  | 100     | 3600             | 7200       |
| 18  | 500     | 5000             | 10000      | 58  | 100     | 3200             | 6400       |
| 20  | 500     | 5000             | 10000      | 60  | 100     | 3200             | 6400       |
| 22  | 500     | 5000             | 10000      | 62  | 100     | 3200             | 6400       |
| 24  | 300     | 4500             | 9000       | 64  | 100     | 3200             | 6400       |
| 26  | 300     | 4500             | 9000       | 66  | 100     | 3200             | 6400       |
| 28  | 300     | 4200             | 8400       | 68  | 100     | 2800             | 5600       |
| 30  | 300     | 4200             | 8400       | 70  | 100     | 2800             | 5600       |
| 32  | 200     | 4000             | 8000       | 72  | 100     | 2800             | 5600       |
| 34  | 200     | 4000             | 8000       | 74  | 100     | 2800             | 5600       |
| 36  | 200     | 4000             | 8000       | 76  | 100     | 2400             | 4800       |
| 38  | 200     | 4000             | 8000       | 78  | 100     | 2400             | 4800       |
| 40  | 100     | 4000             | 8000       | 80  | 100     | 2400             | 4800       |
| 42  | 100     | 3600             | 7200       |     |         |                  |            |

PE BAG



CARTON

RoHS Compliant

|     |      |      |    |  |   |   |                                     |      |
|-----|------|------|----|--|---|---|-------------------------------------|------|
| G   |      |      |    | PROJECTION:<br> | GENERAL TOLERANCE<br>.X = +/- 0.2<br>.XX = +/- 0.15 |  | DESCRIPTION: 2.54MM DUAL PIN HEADER | SIZE |
| F   |      |      |    |  |   |   |                                     |      |
| E   |      |      |    |  |   |   |                                     |      |
| D   |      |      |    |  |   |   |                                     |      |
| C   |      |      |    | APPROVAL: GMo  | UNIT: MM  | WÜRTH ELEKTRONIK  | WERI PART NO: 613 0xx 211 21        | A4   |
| B   |      |      |    |  | SCALE:  |   |                                     |      |
| A   |      | PDF  |    |  | SHEET: 2/3  |   |                                     |      |
| REV | DATE | FILE | BY |  | DRAW: PEARL   |   |                                     |      |

1

2

3

4

5

## Cautions and Warnings:

This electronic component is designed and developed with the intention for use in general electronics equipments.

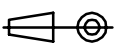

Before incorporating the components into any equipments in the field such as aerospace, aviation, nuclear control, submarine, transportation, (automotive control, train control, ship control), transportation signal, disaster prevention, medical, public information network etc. where higher safety and reliability are especially required or if there is possibility of direct damage or injury to human body, Würth Elektronik must be asked for a written approval.

In addition, even electronic component in general electronic equipments, when used in electrical circuits that require high safety, reliability functions or performance, the sufficient reliability evaluation-check for the safety must be performed before by the user before usage.

A

B

C

|                |           |      |    |  |   |  |                         |                   |
|----------------|-----------|------|----|--|---|--|-------------------------|-------------------|
| RoHS Compliant |           |      |    | PROJECTION:<br> | GENERAL TOLERANCE<br>.X = +/- 0.2<br>.XX = +/- 0.15 | <br><b>WÜRTH ELEKTRONIK</b> | DESCRIPTION: DISCLAIMER | SIZE<br><b>A4</b> |
| G              |           |      |    |  |   |  |                         |                   |
| F              |           |      |    |  |   |  |                         |                   |
| E              |           |      |    |  |   |  |                         |                   |
| D              |           |      |    |  |   |  |                         |                   |
| C              |           |      |    | APPROVAL: JC   | UNIT: MM  | WERI PART NO: DISCLAIMER   | SIZE<br><b>A4</b>       |                   |
| B              |           |      |    | SCALE:   |   |  |                         |                   |
| A              | 10-SEP-14 | PDF  | QL | SHEET: 3/3   |   |  |                         |                   |
| REV            | DATE      | FILE | BY | DRAW: QL   |   |  |                         |                   |

D

## Looking for pricing, stock, or lifecycle information?

Click below to explore more details on WIN SOURCE:

 [View 61302221121 on WIN SOURCE](#)

 [Wurth Electronics Inc Information](#)

## Optimize Your Supply Chain with WIN SOURCE Solutions

-  Global Sourcing Solution
-  Obsolete Management
-  Cost Control Management
-  Shortage Management
-  Alternative Solution
-  Excess Inventory Management