

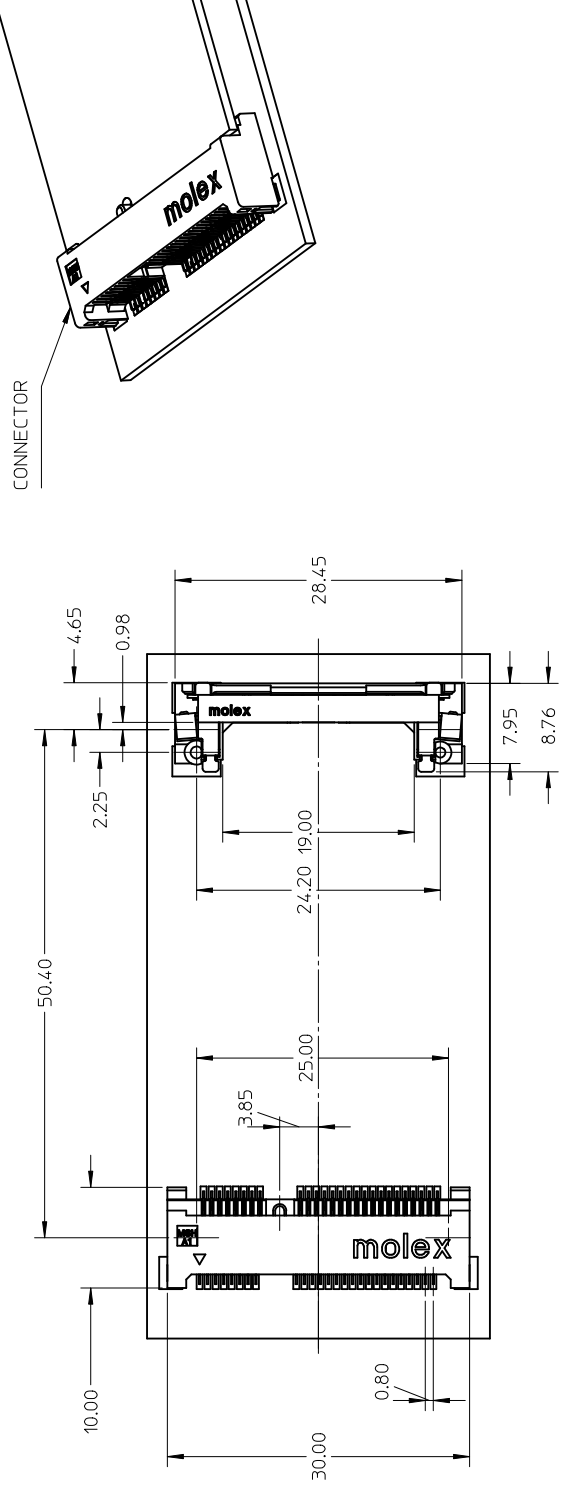


**THE DATASHEET OF**  
**0480995701**



10 9 8 7 6 5 4 3

F



PUSH LATCH TO RELEASE MODULE



B

QUALITY SYMBOLS	$\blacktriangle = 0$	$\triangle = 0$
-----------------	----------------------	-----------------

REV	DESCRIPTION
G	REVISID
	EC NO: S2010-0835
	DRWN: CWANG25
	CHKD: HARVEY
	APPR: NAGESHKN
	2010/04/05
	2010/04/07

QUALITY SYMBOLS	$\blacktriangle = 0$	$\triangle = 0$	$\triangle = 0$
-----------------	----------------------	-----------------	-----------------

GENERAL TOLERANCES (UNLESS SPECIFIED)	MM	INCH
4 PLACES	$\pm 0.25$	$\pm 0.010$
3 PLACES	$\pm 0.25$	$\pm 0.010$
2 PLACES	$\pm 0.25$	$\pm 0.010$
1 PLACE	$\pm 0.25$	$\pm 0.010$
ANGULAR $\pm 3^\circ$		

DIMENSION STYLE	MM ONLY
DRAWN BY	DAVID HU
CHECKED BY	HARVEY
APPROVED BY	NAGESHKN
DATE	2010/04/07

SCALE	NT
TITLE	

MATERIAL NO.	480995701
SIZE	A3

DRAFT WHERE APPLICABLE MUST REMAIN WITHIN DIMENSIONS

THIS DRAWING CONTAINS INCORPORATED AND SHOULD

td\_frame\_A3\_P\_AM\_T  
Rev. F 2009/06/18

A

9

8

7

6

5

4

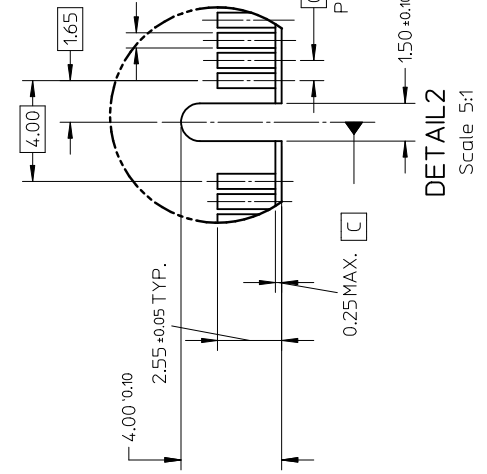
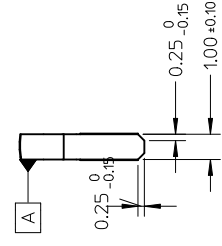
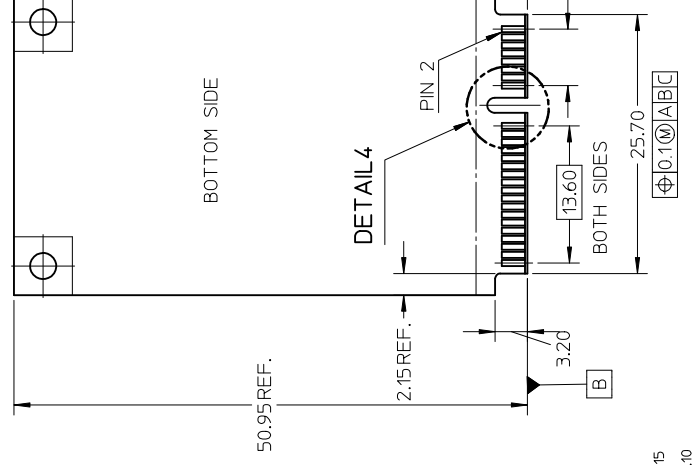
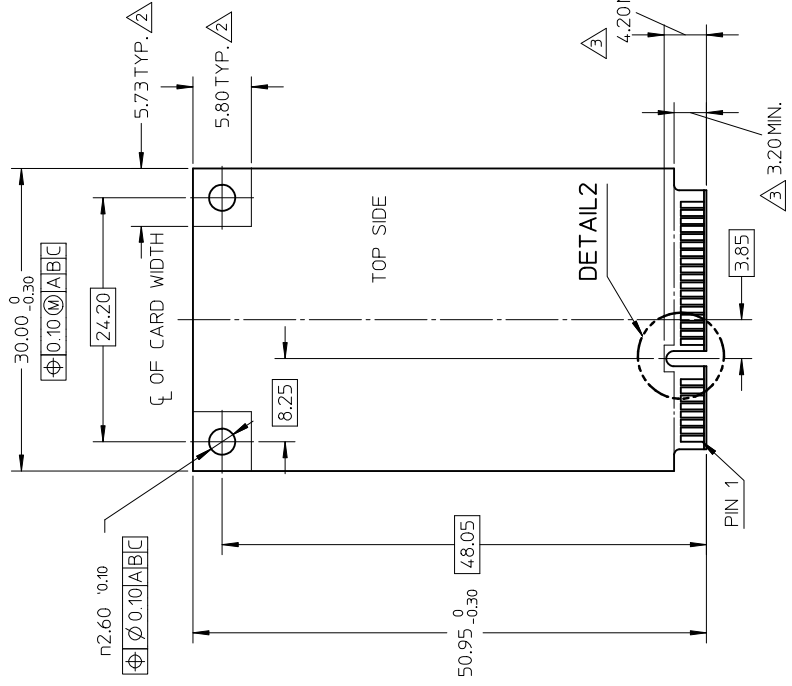
3



10 9 8 7 6 5 4 3

F

NOTES.  
 1. PIN NUMBER  
 ODD PIN  
 EVEN PIN  
 COMPONENT  
 KEEP OUT  
 COMPONENT



DETAIL 3  
Scale 5:1

DETAIL 2  
Scale 5:1

REV	DESCRIPTION	DRW: CWMANG25 2010/04/05	REVISED
	CH: D:HARVEY 2005/12/14	APPR: NAGESHKN 2010/04/07	REVISED
	EC NO: S2010-0835		
QUALITY SYMBOLS	GENERAL TOLERANCES (UNLESS SPECIFIED)	DIMENSION STYLE	MM ONLY
$\nabla = 0$	4 PLACES $\pm$ ---	DRAWN BY	DAVID HU
$\nabla = 0$	3 PLACES $\pm$ ---	DATE	2005/12/14
$\nabla = 0$	2 PLACES $\pm 0.25$	CHECKED BY	HARVEY
	1 PLACE $\pm 0.25$	DATE	2005/12/14
	ANGULAR $\pm 3^\circ$	APPROVED BY	NAGESHKN
		DATE	2010/04/07
		MATERIAL NO.	480995701
		DRAFT WHERE APPLICABLE MUST REMAIN WITHIN DIMENSIONS	SIZE A3
			THIS DRAWING CONTAINS INCORPORATED AND SHOULD

F E D C B A 10 9 8 7 6 5 4 3

## Looking for pricing, stock, or lifecycle information?

Click below to explore more details on WIN SOURCE:

 [View 0480995701 on WIN SOURCE](#)

 [Molex, LLC Information](#)

## Optimize Your Supply Chain with WIN SOURCE Solutions

-  Global Sourcing Solution
-  Obsolete Management
-  Cost Control Management
-  Shortage Management
-  Alternative Solution
-  Excess Inventory Management