



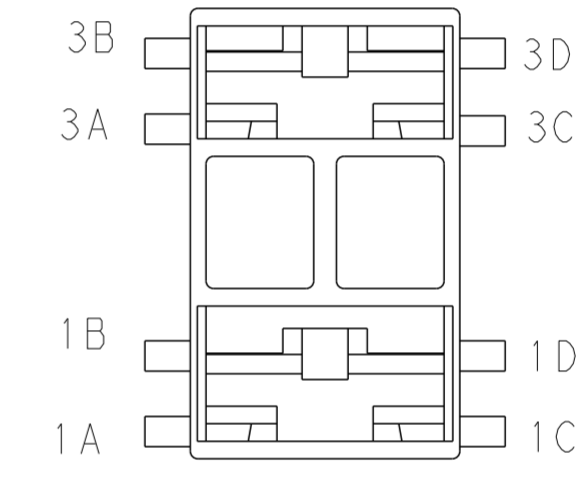
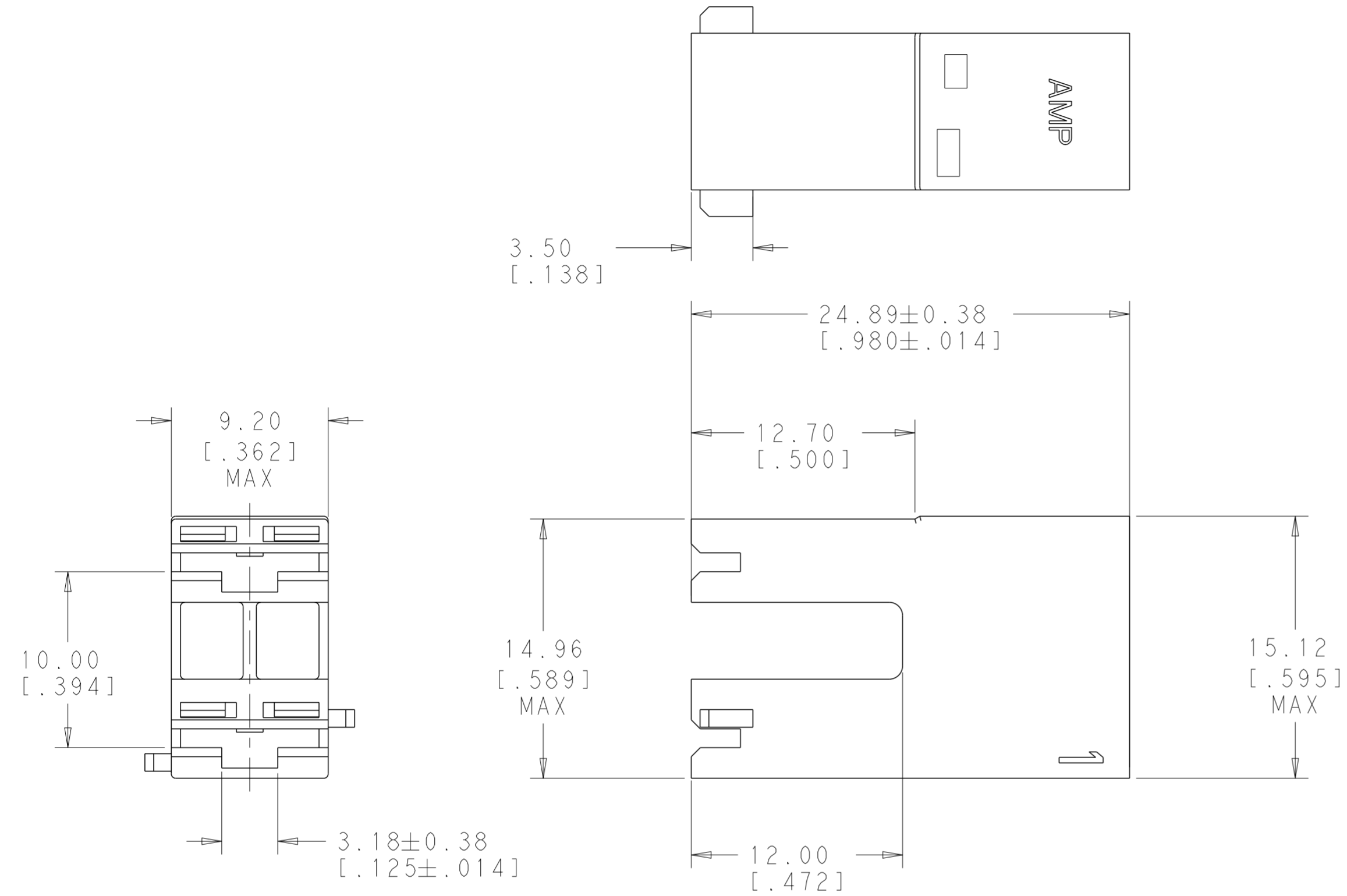
THE DATASHEET OF
2178234-3



THIS DRAWING IS UNPUBLISHED. RELEASED FOR PUBLICATION 2012
 © COPYRIGHT 2012 BY TE CONNECTIVITY ALL RIGHTS RESERVED.

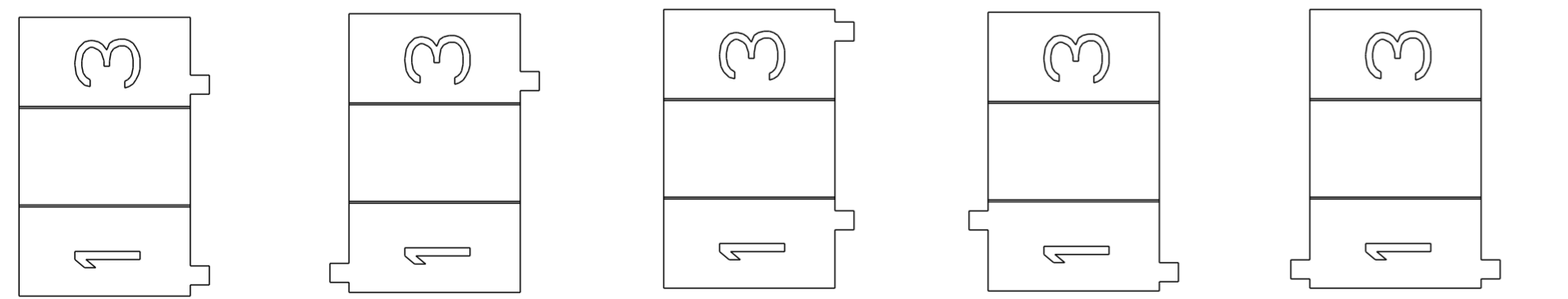
LOC		DIST		REVISIONS			
P	LTR	DESCRIPTION	DATE	DWN	APVD		
	E	REVISED PER ECR-18-004971	17APR2018	MD	FL		

- 1 ACCORDING TO IEC 60335-1, GWEPT 750°C WITHOUT FLAME
- 2 PRELIMINARY - NOT FOR PRODUCTION
- 3 DELETED NOTE
- 4 DELETED NOTE
- 5 ACCEPTS RECEPTACLES 2238135, 2238136, 1217378, 1217094 AND 1217095



SPECIAL REAR VIEW THAT MATES WITH THE HEADER VIEWS BELOW SHOWING THE KEYING & POLARIZATION

1	1C	1A	BLUE	5-2178234-5
1	1C	1B	BLACK	5-2178234-4
1	1D, 3D	NONE	NATURAL	5-2178234-3
1	3C	1A	YELLOW	5-2178234-2
1	1C, 3C	NONE	GREEN	5-2178234-1
	1C	1A	BLUE	2178234-5
	1C	1B	BLACK	2178234-4
	1D, 3D	NONE	NATURAL	2178234-3
	3C	1A	YELLOW	2178234-2
	1C, 3C	NONE	GREEN	2178234-1
	KEYING FEATURE	POLARIZATION FEATURE	COLOR	PART NUMBER



2178234-1 5-2178234-1 2178234-2 5-2178234-2 2178234-3 5-2178234-3 2178234-4 5-2178234-4 2178234-5 5-2178234-5

HEADER VIEWS

THIS DRAWING IS A CONTROLLED DOCUMENT.

DWN: M. DIDONATO 28MAR2018
 CHK: F. LUPO 28MAR2018
 APVD: R. ROBONE 28MAR2018

TE Connectivity

NAME: HOUSING, RECEPT, POSI-LOCK MK III, 6.35 [.250] SERIES, 3 POSITION, 2 CIRCUIT

MATERIAL: NYLON TOLERANCES UNLESS OTHERWISE SPECIFIED: SEE TABLE

SIZE: A2 CAGE CODE: 00779 DRAWING NO: C-2178234

SCALE: 4:1 SHEET: 1 OF 1 REV: E

Looking for pricing, stock, or lifecycle information?

Click below to explore more details on WIN SOURCE:

 [View 2178234-3](#) on WIN SOURCE

 [TE Connectivity](#) Information

Optimize Your Supply Chain with WIN SOURCE Solutions

-  Global Sourcing Solution
-  Obsolete Management
-  Cost Control Management
-  Shortage Management
-  Alternative Solution
-  Excess Inventory Management