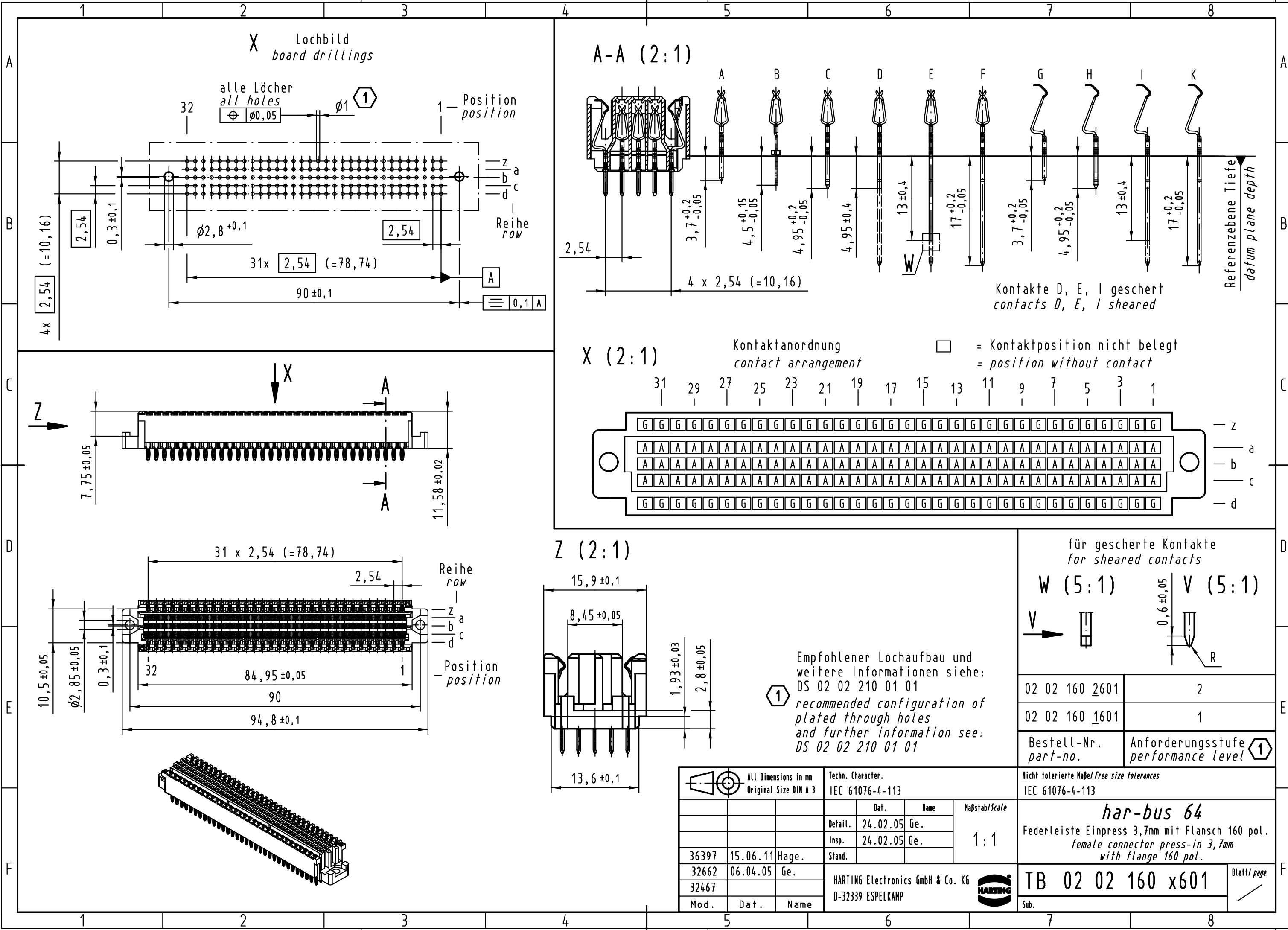




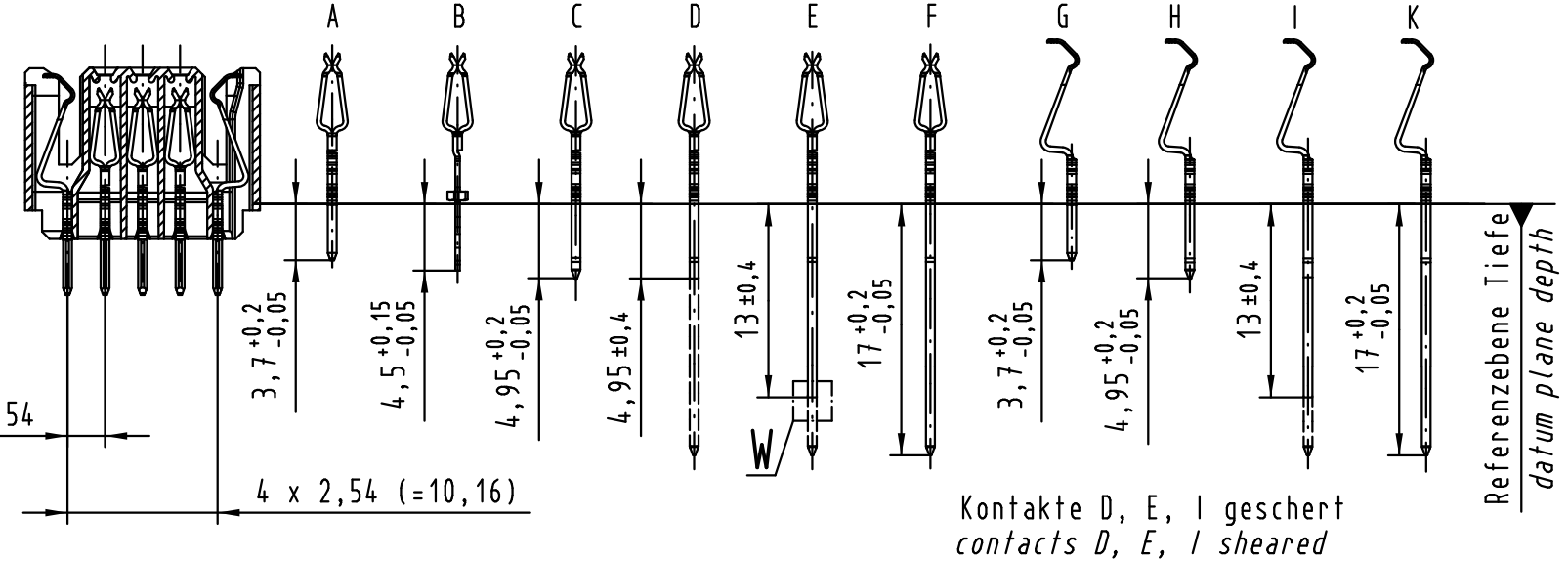
**THE DATASHEET OF**  
**02021602301**



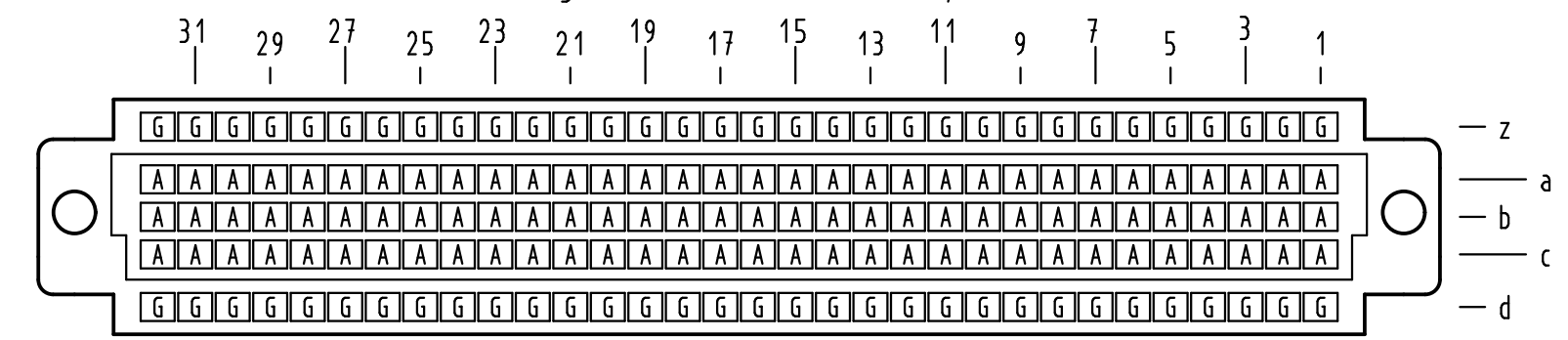
Alle Rechte vorbehalten/ All rights reserved



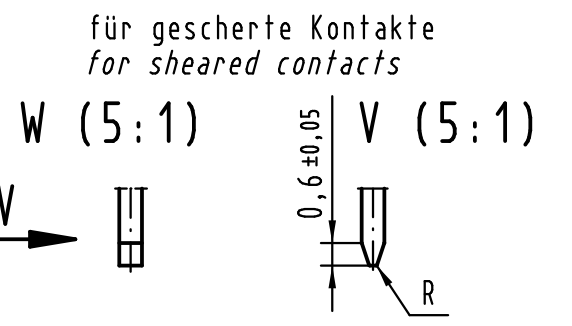
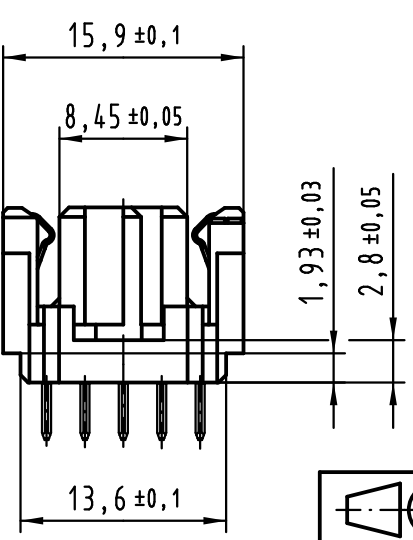
A-A (2:1)



X (2:1)



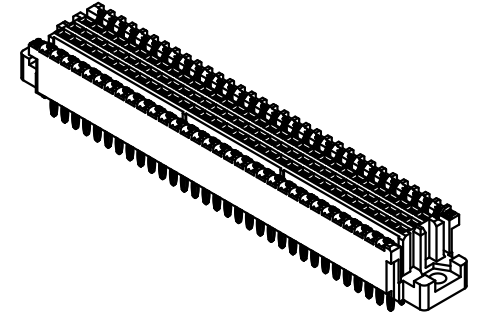
Z (2:1)



Empfohlener Lochaufbau und weitere Informationen siehe: DS 02 02 210 01 01 recommended configuration of plated through holes and further information see: DS 02 02 210 01 01

02 02 160 2601	2
02 02 160 1601	1
Bestell-Nr. part-no.	Anforderungsstufe performance level 1

All Dimensions in mm Original Size DIN A 3		Techn. Character. IEC 61076-4-113		Nicht tolerierte Maß/Free size tolerances IEC 61076-4-113	
		Dat.	Name	Maßstab/Scale	
		Detail.	24.02.05 Ge.	1:1	
		Insp.	24.02.05 Ge.		
		Stand.			
36397	15.06.11	Hage.		HARTING Electronics GmbH & Co. KG D-32339 ESPELKAMP	
32662	06.04.05	Ge.			
32467					
Mod.	Dat.	Name		HARTING	
				TB 02 02 160 x601	
				Sub.	
				Blatt/ page	



**har-bus 64**  
Federleiste Einpress 3,7mm mit Flansch 160 pol. female connector press-in 3,7mm with flange 160 pol.

TB 02 02 160 x601

## Looking for pricing, stock, or lifecycle information?

Click below to explore more details on WIN SOURCE:

 [View 02021602301](#) on WIN SOURCE

 [HARTING](#) Information

## Optimize Your Supply Chain with WIN SOURCE Solutions

-  Global Sourcing Solution
-  Obsolete Management
-  Cost Control Management
-  Shortage Management
-  Alternative Solution
-  Excess Inventory Management