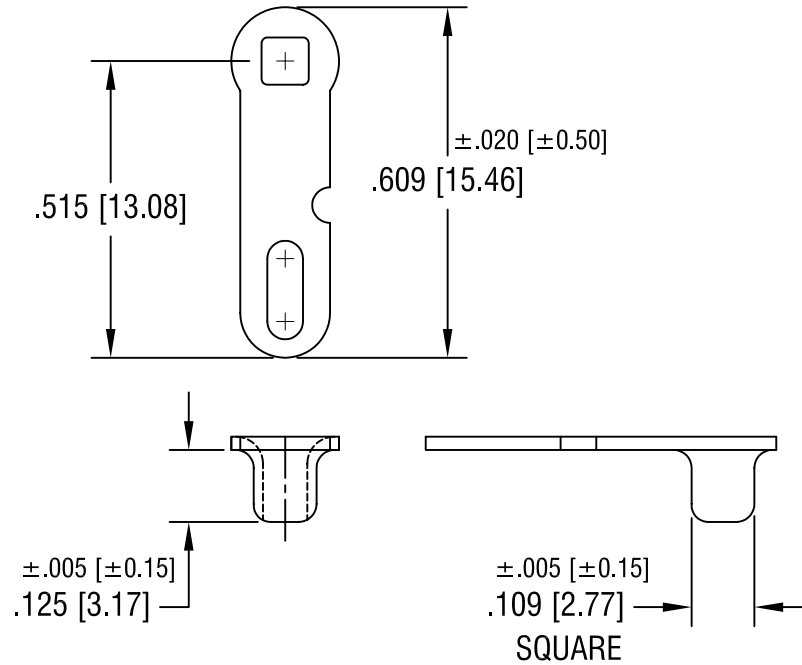




THE DATASHEET OF
1204



THIS DOCUMENT IS THE PROPERTY OF
KEYSTONE ELECTRONICS CORP. AND
SHALL NOT BE REPRODUCED, DISTRIBUTED
OR USED AS A BASIS FOR MANUFACTURE
WITHOUT PRIOR WRITTEN PERMISSION
FROM KEYSTONE ELECTRONICS CORP.



KEYSTONE ELECTRONICS CORP.			
ASTORIA, N.Y. 11105-2017			
PART NAME		SOLDER TERMINAL	
MATERIAL		.023 [0.58] TH'K BRASS	
FINISH		DRN BY	DATE
TIN PLATE		BOONE	4.13.82
		APPD	SCALE
			3X
11.29.04	CHANGE AS PER ECN 04-157	B	
3.7.96	CHANGE AS PER ECR 96-008	A	
DATE	DESCRIPTION	REV.	
		TOLERANCES	DWG NO.
		INCH [MM]	1204
		DECIMAL $\pm .010$ [± 0.25]	
		ANGULAR $\pm 1^\circ$	
		UNLESS OTHERWISE SPECIFIED	
		CODE	
		C/M	

Looking for pricing, stock, or lifecycle information?

Click below to explore more details on WIN SOURCE:

- ⊖ [View 1204 on WIN SOURCE](#)
- ⊖ [Keystone Electronics Information](#)

Optimize Your Supply Chain with WIN SOURCE Solutions

- ✓ Global Sourcing Solution
- ✓ Obsolete Management
- ✓ Cost Control Management
- ✓ Shortage Management
- ✓ Alternative Solution
- ✓ Excess Inventory Management