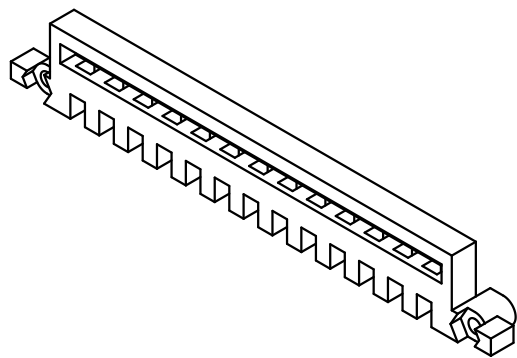
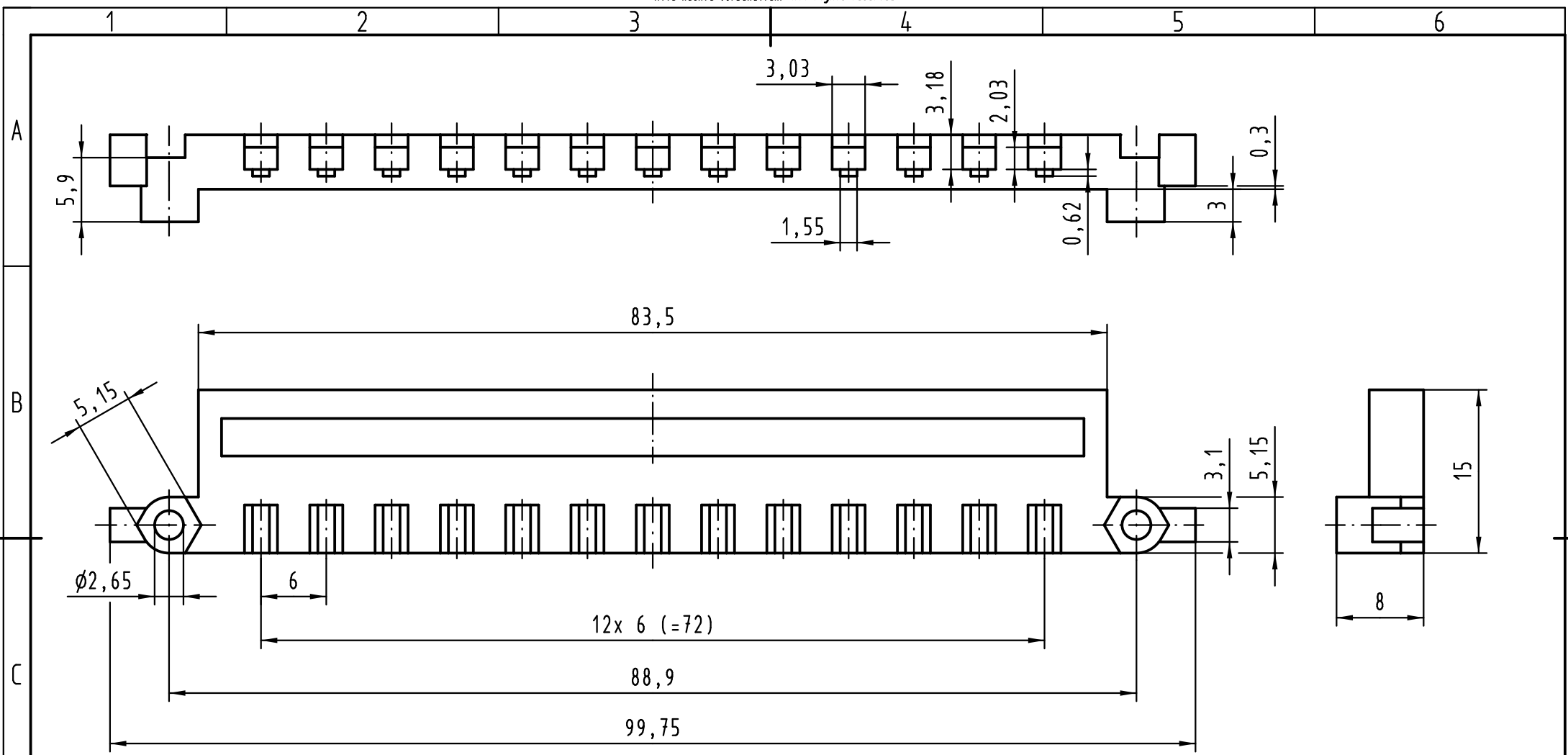




THE DATASHEET OF
09069019985





All Dimensions in mm Original Size DIN A 4		Techn. Character.			Nicht tolerierte Maßel Free size tolerances	
			Dat.	Name	Maßstab/Scale 2:1	Codierteil D20 für Messerleisten metallisiert (Oberfläche: Ni) code comb D20 for male connectors metallised (surface: Ni)
		Detail.	23.08.04	Hage.		
		Insp.	23.08.04	Sch.		
		Stand.				
32199		HARTING Electronics GmbH & Co. KG				TB 09 06 901 9985
Mod.	Dat.	Name	D-32339 ESPELKAMP			
Sub.						Blatt/ page

Looking for pricing, stock, or lifecycle information?

Click below to explore more details on WIN SOURCE:

 [View 09069019985 on WIN SOURCE](#)

 [HARTING](#) Information

Optimize Your Supply Chain with WIN SOURCE Solutions

-  Global Sourcing Solution
-  Obsolete Management
-  Cost Control Management
-  Shortage Management
-  Alternative Solution
-  Excess Inventory Management