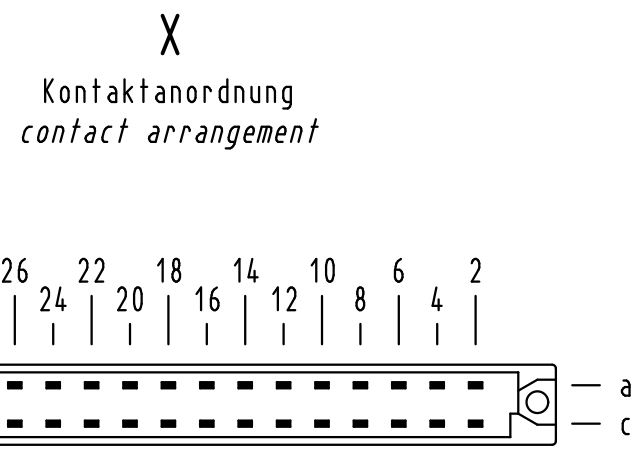
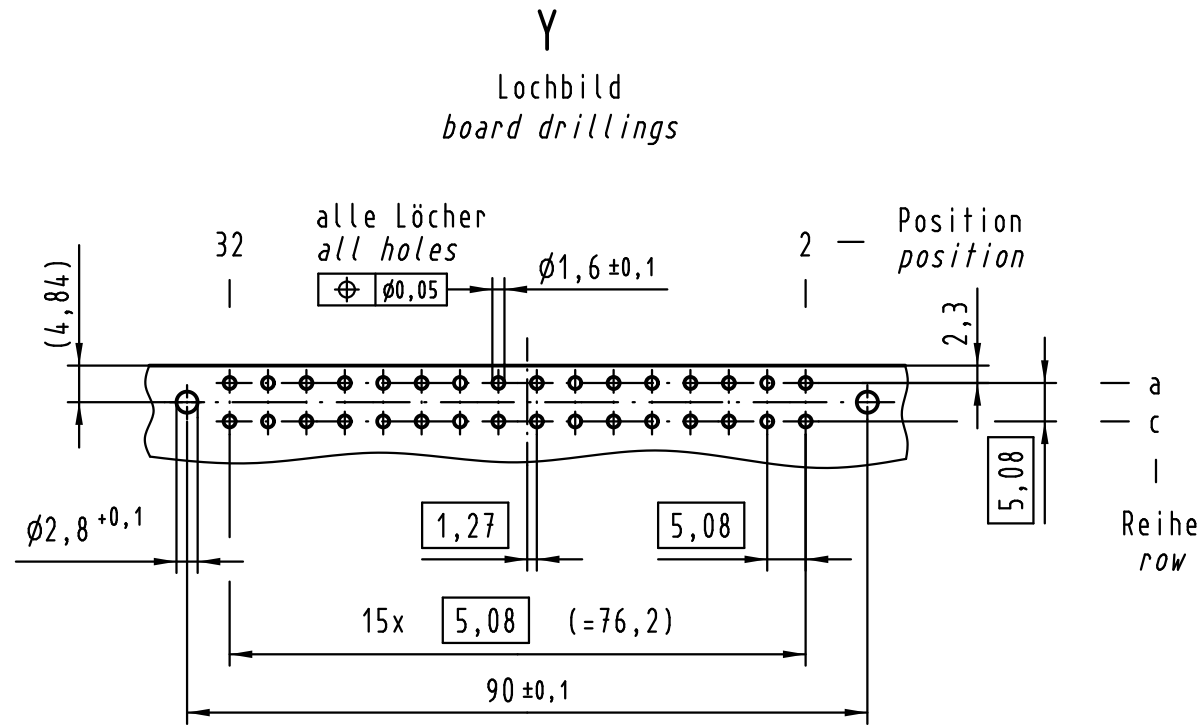


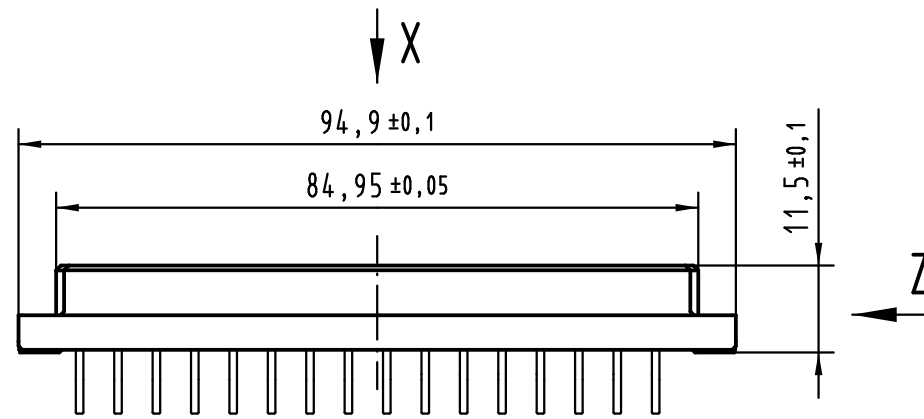
Alle Rechte vorbehalten/ All rights reserved



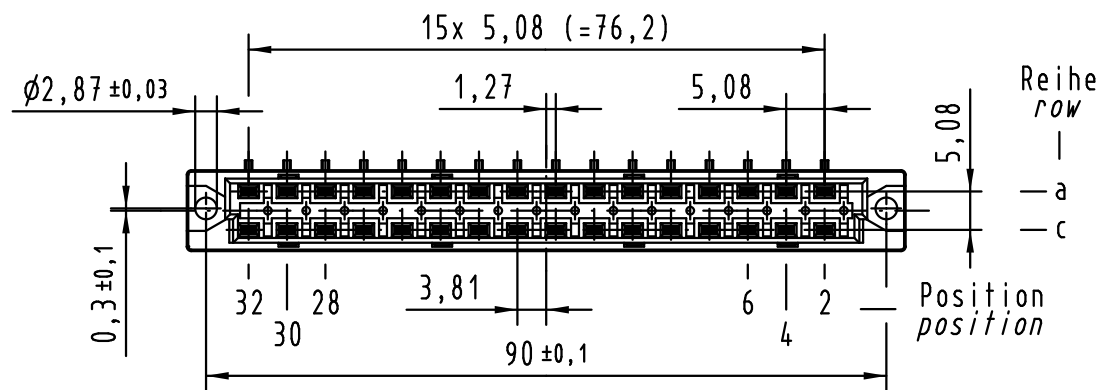
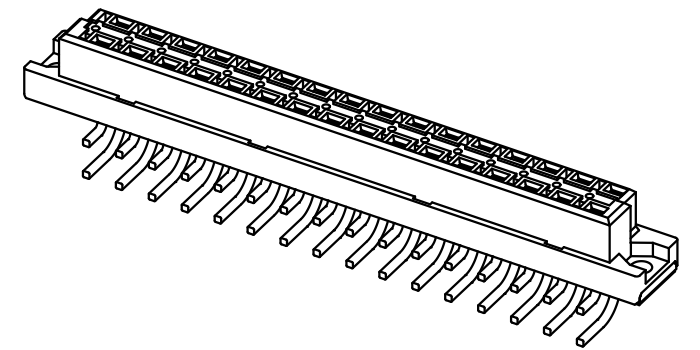
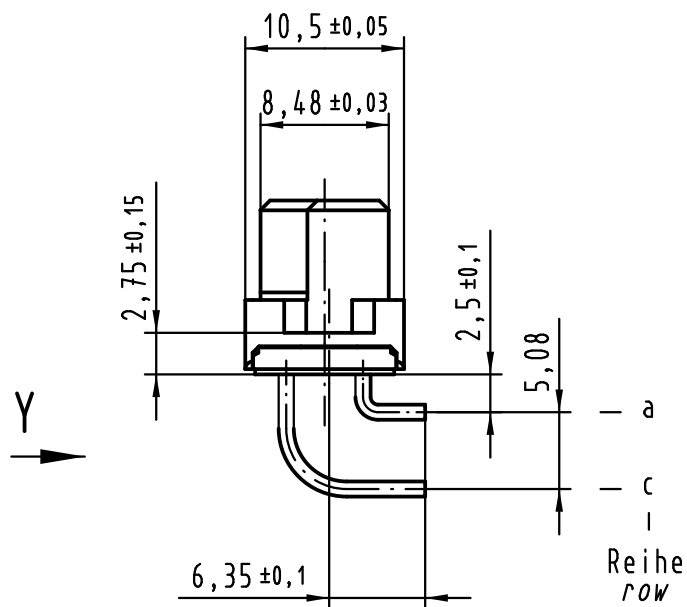
32 Einlöt 1x1 - Kontakte
32 solder 1x1 - contacts

■ = Kontaktposition belegt
= position with contact

□ = Kontaktposition nicht belegt
= position without contact



Z (2:1)



① weitere Informationen siehe: DS 09 04 220 02 01
further information see: DS 09 04 220 02 01

09 04 232 6826	2
09 04 232 2826	1
Bestell-Nr. part-no.	Anforderungsstufe performance level ①

	All Dimensions in mm Original Size DIN A 3			Techn. Character.		Nicht tolerierte Maßel Free size tolerances IEC 60603-2	
				Dat.	Name	Maßstab/Scale	Bauform / type D Federleiste Einlöt 1x1 gewinkelt 32-polig female connector solder 1x1 angled 32-pole
				Detail.	14.08.06 LehT	1:1	
				Insp.	14.08.06 mte		HARTING Electronics GmbH & Co. KG D-32339 ESPELKAMP
36455	24.11.11	Hage.		Stand.			
33859							
Mod.	Dat.	Name					

Looking for pricing, stock, or lifecycle information?

Click below to explore more details on WIN SOURCE:

 [View 09042326826 on WIN SOURCE](#)

 [HARTING](#) Information

Optimize Your Supply Chain with WIN SOURCE Solutions

-  Global Sourcing Solution
-  Obsolete Management
-  Cost Control Management
-  Shortage Management
-  Alternative Solution
-  Excess Inventory Management