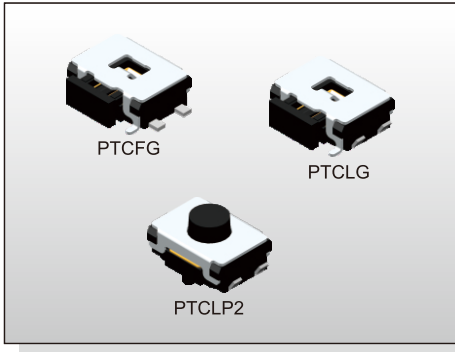




# THE DATASHEET OF PTF-V-T/R





**FEATURES**

- ※For high density mounting
- ※Vertical or side actuation
- ※Reflow solderable

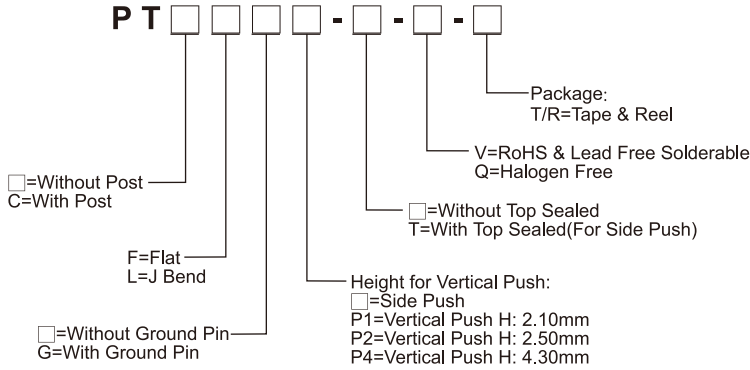
**APPLICATION**

- ※Automotive
- ※Portable electronic device
- ※Control panel

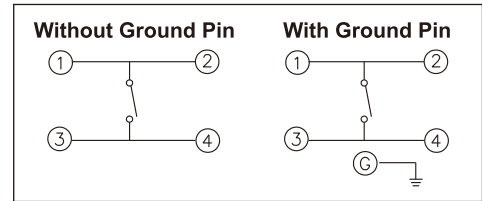
**SPECIFICATION**

Contact Rating	50mA, 12V DC
Contact Resistance	100mΩ max.
Insulation Resistance	100MΩ min. 500V DC
Dielectric Strength	250V AC/1 minute
Operating Force	160±50gf (Vertical Push) 220+80/-70gf (Side Push)
Travel	0.20mm (Vertical Push) 0.30mm (Side Push)
Operating Life	100,000 cycles
Operating Temp.	-25°C ~ +70°C
Storage Temp.	-30°C ~ +80°C

**HOW TO ORDER**



**CIRCUIT**

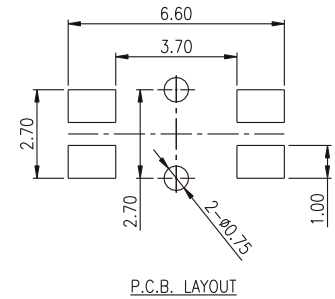
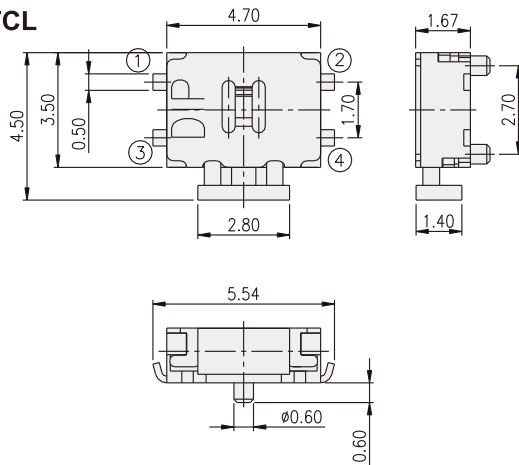


**PACKAGE**

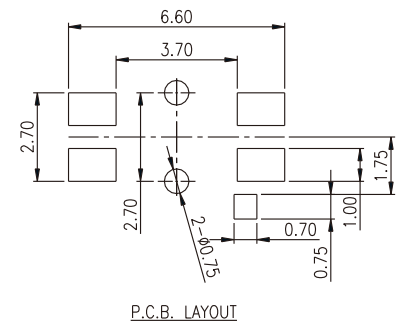
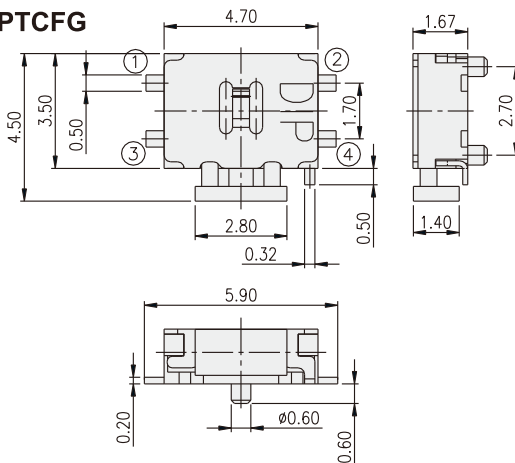
<Tape & Reel>

Side push: 3000 pcs  
Vertical push: 2400 pcs

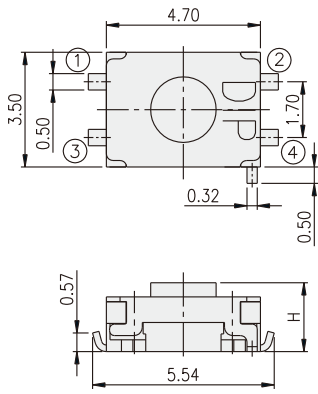
**PTCL**



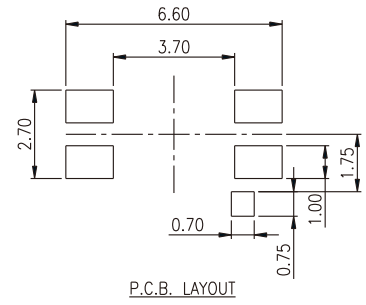
**PTCFG**



PTLGP □



PART NO.	H
PTLGP1	2.10
PTLGP2	2.50
PTLGP4	4.30



# Mouser Electronics

Authorized Distributor



Click to View Pricing, Inventory, Delivery & Lifecycle Information:

## Diptronics:





[PTF-Q-T/R](#) [PTLP2-Q-T/R](#) [PTCLGP2-Q-T/R](#) [PTFGP4-Q-T/R](#) [PTCFG-Q-T/R](#) [PTCLP2-Q-T/R](#) [PTLP4-Q-T/R](#) [PTFP2-Q-T/R](#) [PTCFGP4-Q-T/R](#) [PTCFP2-Q-T/R](#) [PTFGP1-Q-T/R](#) [PTL-Q-T/R](#) [PTLGP2-Q-T/R](#) [PTCF-Q-T/R](#) [PTFGP2-Q-T/R](#) [PTLP1-Q-T/R](#) [PTCLG-Q-T/R](#) [PTCFGP1-Q-T/R](#) [PTFP1-Q-T/R](#) [PTCFP1-Q-T/R](#) [PTCL-Q-T/R](#) [PTCFGP2-Q-T/R](#) [PTCLGP1-Q-T/R](#) [PTF-V-T/R](#) [PTFP1-V-T/R](#) [PTCF-V-T/R](#)

## Looking for pricing, stock, or lifecycle information?

Click below to explore more details on WIN SOURCE:

-  [View PTF-V-T/R on WIN SOURCE](#)
-  [Diptronics Information](#)

## Optimize Your Supply Chain with WIN SOURCE Solutions

-  Global Sourcing Solution
-  Obsolete Management
-  Cost Control Management
-  Shortage Management
-  Alternative Solution
-  Excess Inventory Management