

WIN*SOURCE*
ELECTRONICS

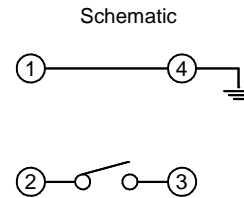
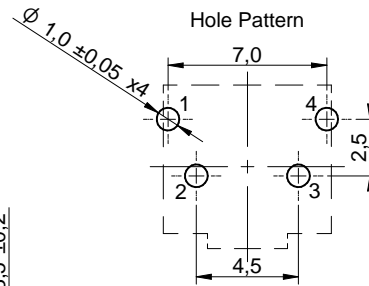
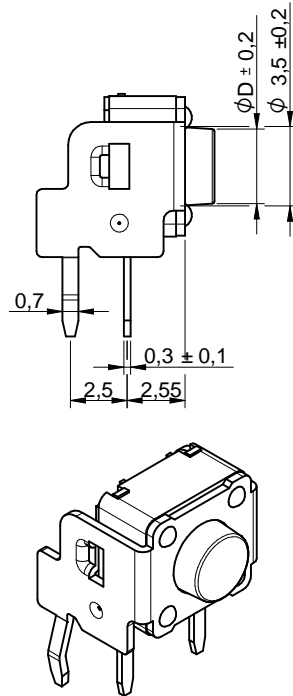
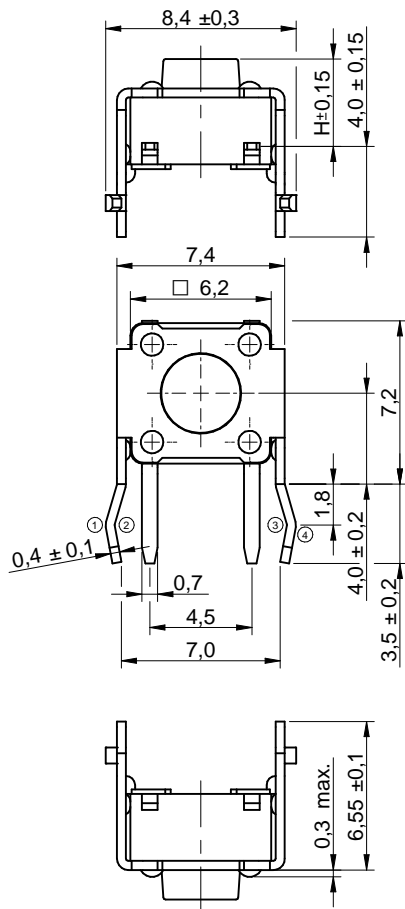
THE DATASHEET OF

431256038726

www.win-source.net



0086-755-83957316



SPECIFICATION

>Rating : 50mA, 12VDC
>Contact Resistance :
 Initial : 100mΩ max.
 After Life Test : 2Ω max.
>Insulation Resistance : min. 100MΩ at 500VDC
>Dielectric Strength : 250VAC for 1 minute
>Stroke : 0.25 +0.2mm / -0.1mm
>Bounce : 10ms max.

MATERIAL

>Cover : Carbon Steel Plate
>Stem : LCP UL 94 V-0
>Frame : PA9T UL 94 V-0 , color Black
>Contact : Stainless Steel with silver
>Terminal : Copper alloy with silver plating

SOLDERING INFORMATION

>Terminal in THT version
>Wave soldering 260°C 10sec. max
>Hand soldering under 350°C for 3 sec. max

ENVIRONMENTAL

Storage condition : -40°C ~ +85°C
Operation condition : -40°C ~ +85°C
Compliance : Lead Free , ROHS , Reach

PACKAGING INFORMATION

>Bulk



PN	Force	Color of Stem	Life cycle	-031		-038		-058		-083	
				H	ØD	H	ØD	H	ØD	H	ØD
431 256 xxx 716	160g ± 50gf	Black	200.000	3.15	3.5	3.85	3.5	5.85	3.0	8.35	3.0
431 256 xxx 726	260g ± 50gf	White	200.000	3.15	3.5	3.85	3.5	5.85	3.0	8.35	3.0
431 256 xxx 736	360g ± 80gf	Salmon	200.000	3.15	3.5	3.85	3.5	5.85	3.0	8.35	3.0

Scale - 3:1

REV.	FILE	DATE	BY	Würth Elektronik eiSos GmbH & Co. KG EMC & Inductive Solutions Max-Eyth-Str. 1 74638 Waldenburg Germany com. +49 79 42 945 - 0 www.we-online.de eiSos@we-online.de	CREATED WJ	CHECKED Hsu	GENERAL TOLERANCE DIN ISO 2768-1m	PROJECTION METHOD FIRST ANGLE	SCALE 3:1	
1.5	Material change	14-08-19	AL		DESCRIPTION SwTATU Right angle Tact Switch				TECHNICAL REFERENCE	
1.4	Revised MatchCode	14-07-25	AL		ORDER CODE 431 256 xxx 7x6					
1.3	Bounce 10ms max.	14-04-11	DaF		SIZE 6x6 mm RA, THT				STATUS Released	
1.2	New values in chart	12-09-13	WJ		DATE 2011-05-17				BUSINESS UNIT eiCan	
1.1	Warning text	11-10-28	WJ		PAGE 1 / 1					

Looking for pricing, stock, or lifecycle information?

Click below to explore more details on WIN SOURCE:

-  [View 431256038726 on WIN SOURCE](#)
-  [Wurth Electronics Inc Information](#)

Optimize Your Supply Chain with WIN SOURCE Solutions

-  Global Sourcing Solution
-  Obsolete Management
-  Cost Control Management
-  Shortage Management
-  Alternative Solution
-  Excess Inventory Management