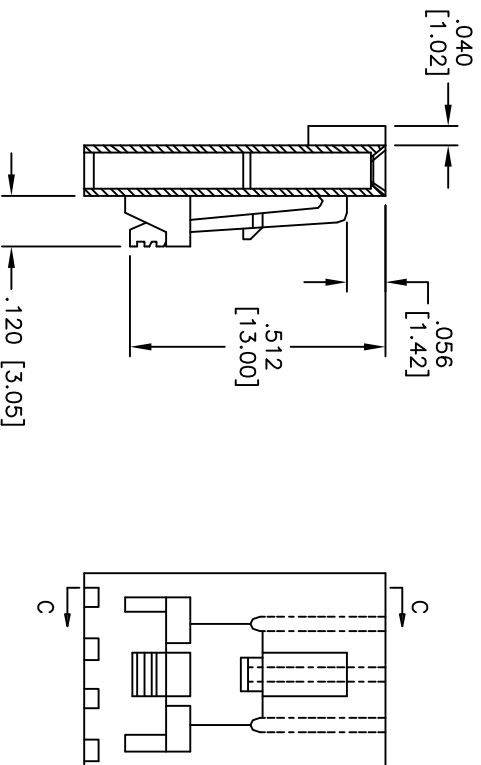
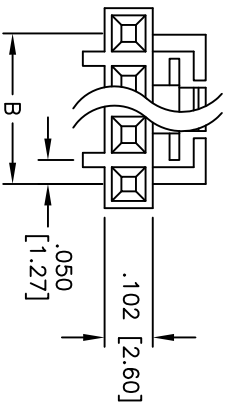




# THE DATASHEET OF CDH-02



Rev	AWO #	Description	Date	Appr
-		RELEASED	4/7/05	
A		FIXED PART NUMBER	04/24/06	BAS



SECTION C-C

Positions: 2 thru 18  
 A = .100 [2.54] x No. of Positions  
 B = .100 [2.54] x No. of Spaces

ated UL 94V-0

ns min @ 500 VDC  
 00 VAC for 1 minute

+85°C

UNLESS OTHERWISE SPECIFIED  
 ALL DIMENSIONS ARE INCHES [MM]  
 TOLERANCES: EXCEPT AS NOTED  
 INCHES Holes ±.10  
 .X ±.10 ØX ±.10  
 .XX ±.020 ØXX ±.015  
 .XXX ±.015 ØXXX ±.010

**ADAM TECH**  
 909 Railway Avenue, Union, NJ 07083  
 Phone: 908-687-5000 Fax: 908-687-5710

.100 [2.54] LATCHING HOUSING

APPROVALS	DATE
SS	4/7/05
DRAWN	
CHECKED	
APPROVED	

SIZE	PART NO.	REV.
X	CDH-XX	-
REF:	SCALE: NTS	SHEET 1 OF 1

5

4

3

2

1

A



B

C

D

## Looking for pricing, stock, or lifecycle information?

Click below to explore more details on WIN SOURCE:

-  [View CDH-02 on WIN SOURCE](#)
-  [Adam Technologies, Inc. Information](#)

## Optimize Your Supply Chain with WIN SOURCE Solutions

-  Global Sourcing Solution
-  Obsolete Management
-  Cost Control Management
-  Shortage Management
-  Alternative Solution
-  Excess Inventory Management