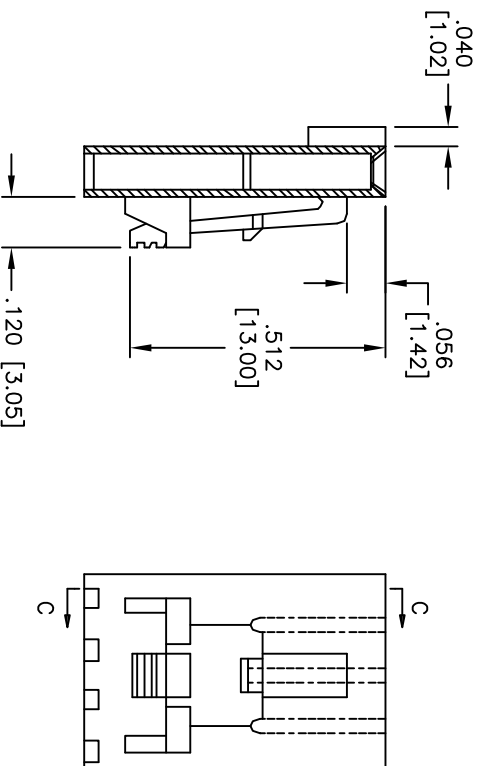
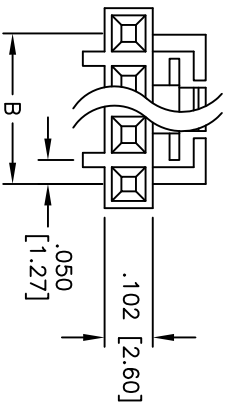




THE DATASHEET OF CDH-05



Rev	AWO #	Description	Date	Appr
-		RELEASED	4/7/05	
A		FIXED PART NUMBER	04/24/06	BAS



SECTION C-C

Positions: 2 thru 18
 A = .100 [2.54] x No. of Positions
 B = .100 [2.54] x No. of Spaces

ADAM TECH
 909 Railway Avenue, Union, NJ 07083
 Phone: 908-687-5000 Fax: 908-687-5710

.100 [2.54] LATCHING HOUSING

ated UL 94V-0

ns min @ 500 VDC
 00 VAC for 1 minute

+85°C

UNLESS OTHERWISE SPECIFIED ALL DIMENSIONS ARE INCHES [MM]		TITLE	
TOLERANCES: EXCEPT AS NOTED		.100 [2.54] LATCHING HOUSING	
INCHES		Holes	
.X ± .10	ØX ± .10	DATE	
.XX ± .020	ØXXX ± .015	4/7/05	
.XXX ± .015	ØXXXX ± .010	APPROVALS	
DRAWN SS		SIZE	PART NO.
CHECKED		X	CDH-XX
APPROVED		REF:	SCALE: NTS

Looking for pricing, stock, or lifecycle information?

Click below to explore more details on WIN SOURCE:

- ⊖ [View CDH-05 on WIN SOURCE](#)
- ⊖ [Adam Technologies, Inc. Information](#)

Optimize Your Supply Chain with WIN SOURCE Solutions

- ✓ Global Sourcing Solution
- ✓ Obsolete Management
- ✓ Cost Control Management
- ✓ Shortage Management
- ✓ Alternative Solution
- ✓ Excess Inventory Management