



**THE DATASHEET OF  
R1973ABLKBLKGR0**

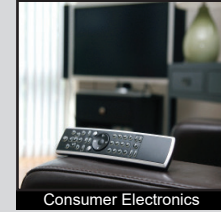


# R1973 SERIES ROCKER SWITCH

ANTI-VANDAL SWITCHES  
 DETECTOR SWITCHES  
 DIP SWITCHES  
 KEYLOCK SWITCHES  
 NAVIGATION SWITCHES  
 PUSHBUTTON SWITCHES  
**ROCKER SWITCHES**  
 ROTARY SWITCHES  
 SLIDE SWITCHES  
 SNAP ACTION SWITCHES  
 TACTILE SWITCHES  
 TOGGLE SWITCHES  
 CAP OPTIONS



## APPLICATIONS / MARKETS



**RoHS**

## SPECIFICATIONS

**Contact Rating:** 9A @ 125VAC [cURus]  
 6A @ 250VAC [cURus]  
**Contact Arrangement:** SPST, DPST  
**Electrical Life:** 10,000 cycles  
**Mechanical Life:** 30,000 cycles  
**Insulation Resistance:** >1000 MΩ  
**Dielectric Strength:** >1,500VAC for 1 minute  
**Operating Temperature:** -30°C to 65°C  
**Storage Temperature:** -30°C to 80°C  
**Panel Thickness:** 0.7mm to 3.0mm

## FEATURES & BENEFITS

- Agency approvals: cURus
- SPST and DPST
- Illumination options
- Multiple termination options
- Actuator marking available
- Standard 13mm x 19mm panel cutout size

## PART NUMBER CONFIGURATOR

Series	Circuit	Housing Color	Actuator Color	Marking (see chart)	Termination	Lamp Voltage
<input type="text" value="R1973"/>	<input type="text" value="A"/> A - SPST B - DPST	<input type="text" value="BLK"/> BLK - Black WHT - White GRY - Grey	<input type="text" value="BLK"/> BLK - Black RED - Red GRY - Grey YIL - Yellow Illuminated GIL - Green Illuminated RIL - Red Illuminated BIL - Blue Illuminated	<input type="text" value="A"/> A D E F G I	<input type="text" value="F"/> F - Faston R - Right Angle PC Pin	<input type="text" value="0"/> 0 - No Lamp 1 - Neon Bulb 125V-AC 2 - Neon Bulb 250V-AC 3 - LED 12V-DC 4 - LED 24V-DC

Specifications subject to change without notice 11.10.2021



**E-SWITCH®**

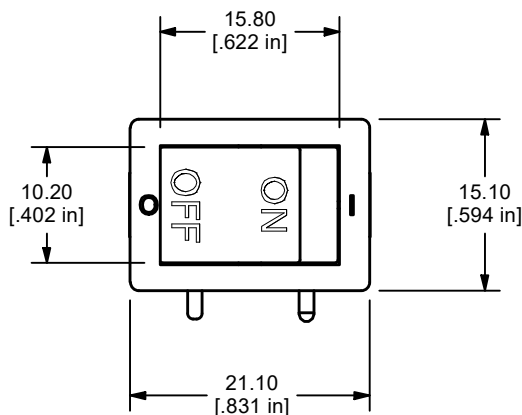
www.e-switch.com

800.867.2717

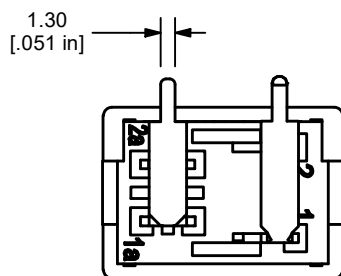
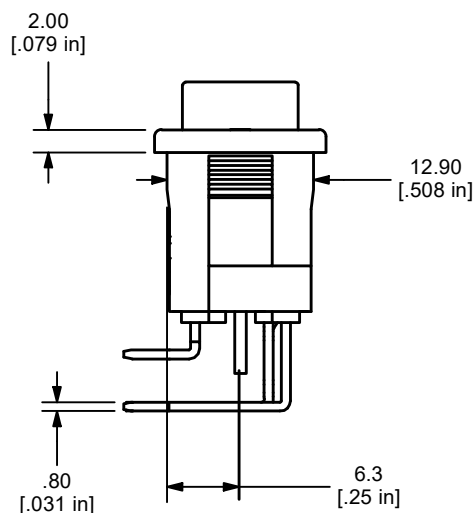
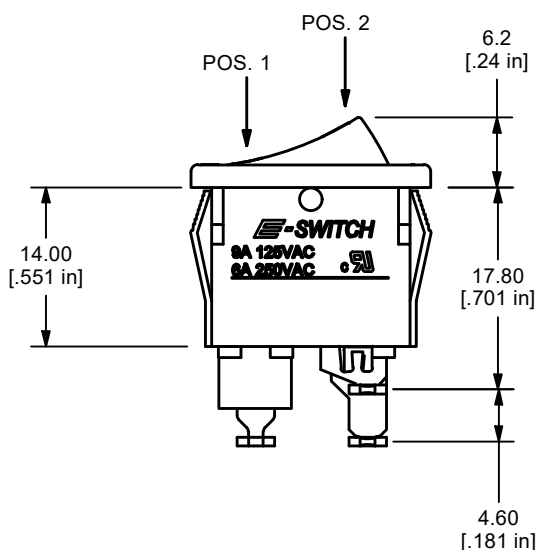
1

# R1973 SERIES ROCKER SWITCH

## BODY DIMENSIONS



MODEL NO.	POS. 1	POS. 2
A - SPST	OFF	ON
TERMINAL CLOSURE	OPEN	1-1a or 2-2a for NON-ILLUMINATED RIGHT ANGLE PC PIN



"R" TERMINAL  
(RIGHT ANGLE TERMINALS BENT  
TOWARDS THE LOGO SIDE)

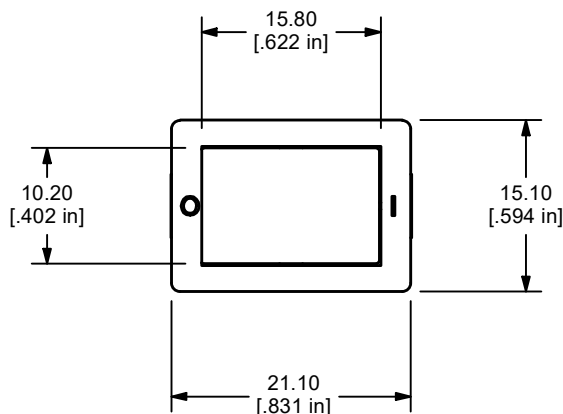
SHOWN WITH  
A - SPST ILLUMINATED  
I - MARKING  
R - RIGHT ANGLE PC PIN



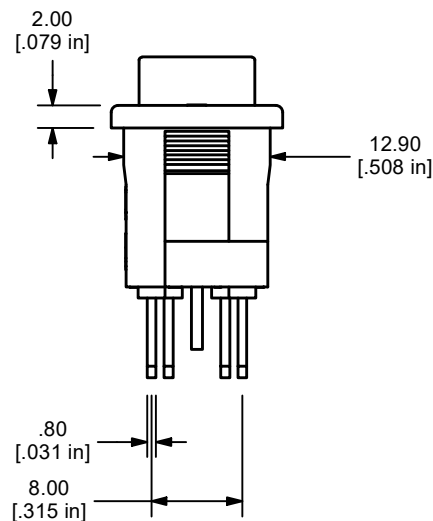
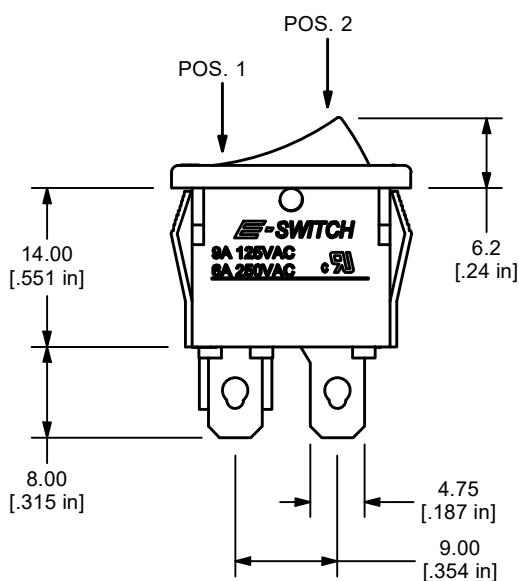
# R1973 SERIES ROCKER SWITCH

## BODY DIMENSIONS

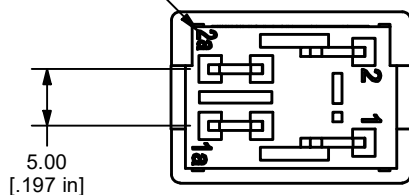
ANTI-VANDAL SWITCHES  
DETECTOR SWITCHES  
DIP SWITCHES  
KEYLOCK SWITCHES  
NAVIGATION SWITCHES  
PUSHBUTTON SWITCHES  
**ROCKER SWITCHES**  
ROTARY SWITCHES  
SLIDE SWITCHES  
SNAP ACTION SWITCHES  
TACTILE SWITCHES  
TOGGLE SWITCHES  
CAP OPTIONS



MODEL NO.	POS. 1	POS. 2
B - DPST	OFF	ON
TERMINAL CLOSURE	OPEN	1-1a, 2-2a



TERMINAL DESIGNATIONS  
(DPST VERSION SHOWN)



SHOWN WITH  
B - DPST  
E - MARKING  
F - FASTON



**E-SWITCH**

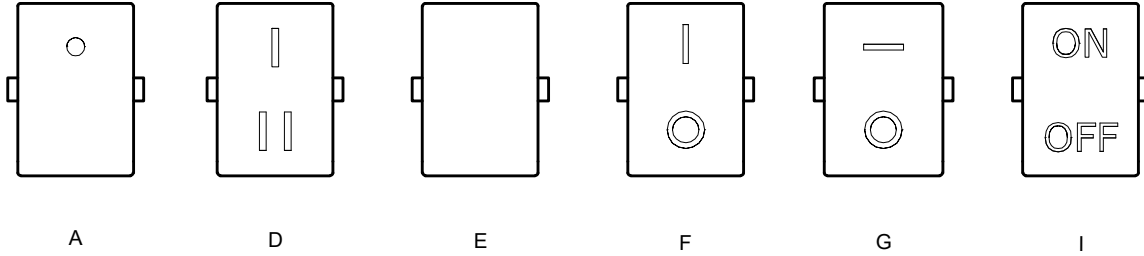
www.e-switch.com

800.867.2717

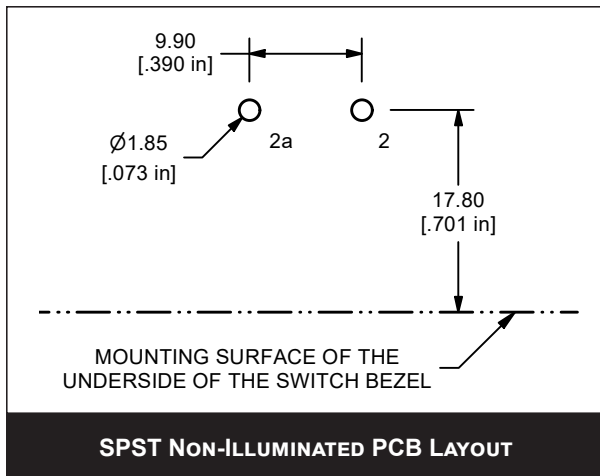
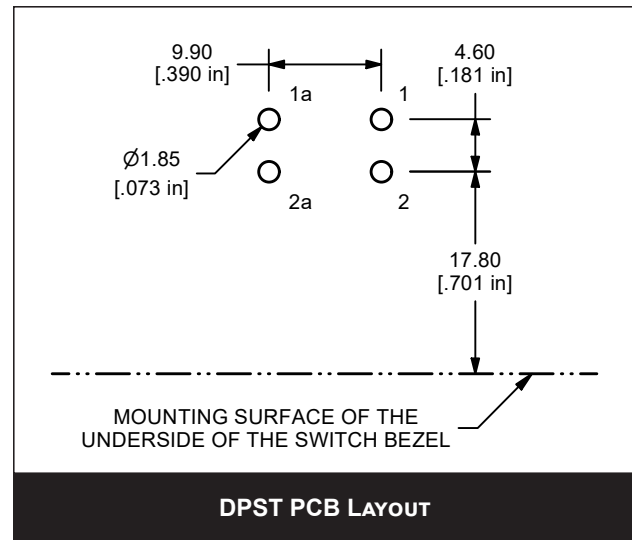
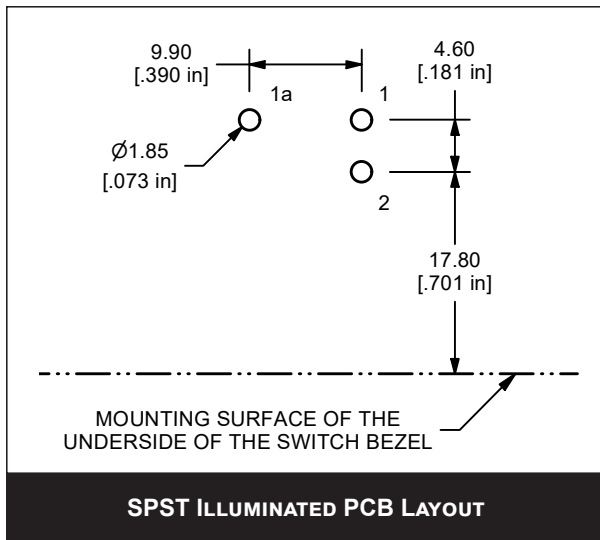
3

# R1973 SERIES ROCKER SWITCH

## MARKING OPTIONS

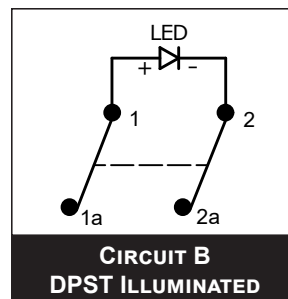
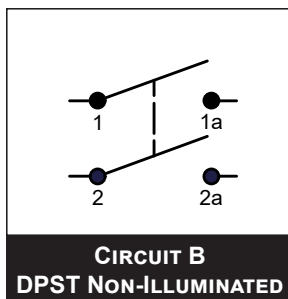
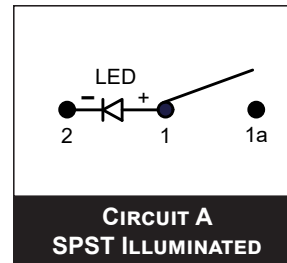
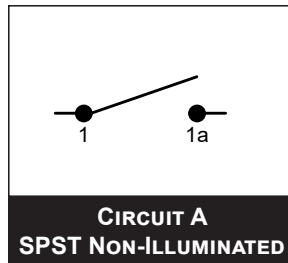
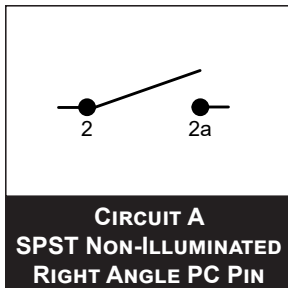


## PCB LAYOUTS

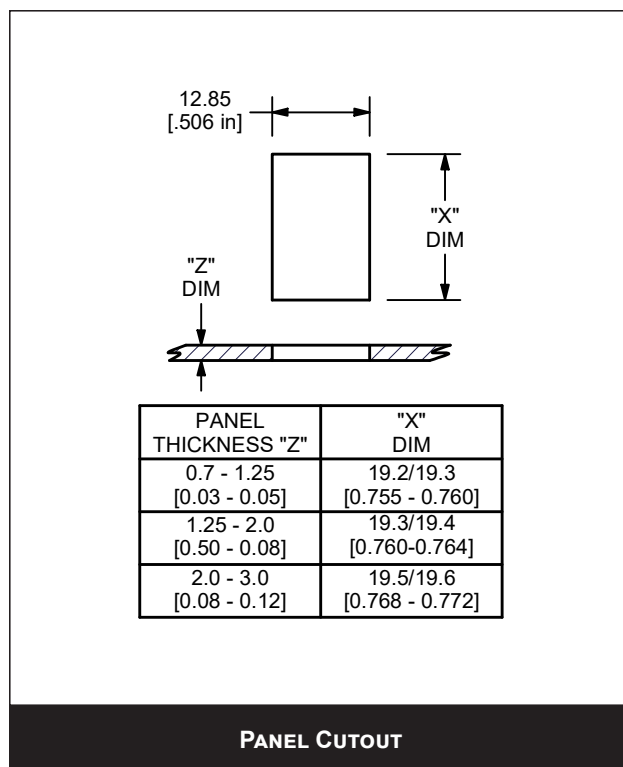


# R1973 SERIES ROCKER SWITCH

## SCHEMATICS



## PANEL CUTOUT



## Looking for pricing, stock, or lifecycle information?

Click below to explore more details on WIN SOURCE:

 [View R1973ABLKBLKGR0 on WIN SOURCE](#)

 [E-Switch Information](#)

## Optimize Your Supply Chain with WIN SOURCE Solutions

-  Global Sourcing Solution
-  Obsolete Management
-  Cost Control Management
-  Shortage Management
-  Alternative Solution
-  Excess Inventory Management