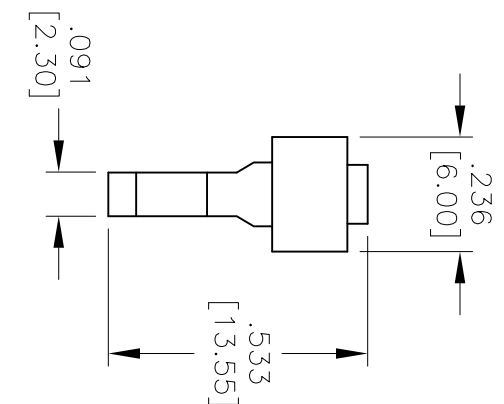




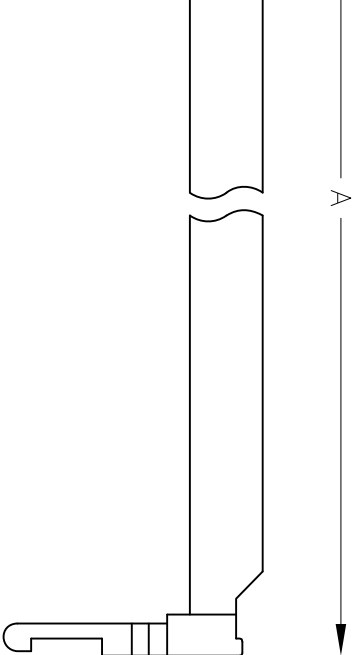
THE DATASHEET OF FSR-08



Rev	AWO #	Description	Date	Appr
-		RELEASED	6/3/05	
A		REDRAWN	8/18/11	
B		REVISED DIM.	10/28/11	
C		REVISED DIM.	1/19/18	AV/RC1



POSITIONS	A
6	.485 12.321
8	.585 14.861
10	.685 17.401
12	.785 19.941
14	.885 22.481
16	.985 25.021
18	1.086 27.561
20	1.185 30.101
24	1.385 35.181
26	1.485 37.721
28	1.585 40.261
30	1.685 42.801
34	1.885 47.881
40	2.185 55.501
44	2.385 60.581
50	2.685 68.201
60	3.185 80.901
64	3.385 85.981



UNLESS OTHERWISE SPECIFIED
ALL DIMENSIONS ARE INCHES [MM]
TOLERANCES: EXCEPT AS NOTED
INCHES Holes ±.10
.X ±.10 ØX ±.10
.XX ±.020 ØXX ±.015
.XXX ±.015 ØXXX ±.010

APPROVALS	DATE
DRAWN SS	6/3/05
CHECKED	
APPROVED	

ADAM TECH
INTERCONNECTS
909 Railway Avenue,
Union, NJ 07083
Phone: 908-687-5000
Fax: 908-687-5710

STRAIN RELIEF FOR FCS SERIES

TITLE	SIZE	PART NO.	REV
	X	FSR-XX	C

REF:	SCALE:	SHEET	OF
S00087T	NIS	1	1

Thermoplastic, rated UL 94V-0



5

4

3

2

1

A



B

C

D

Looking for pricing, stock, or lifecycle information?

Click below to explore more details on WIN SOURCE:

-  [View FSR-08 on WIN SOURCE](#)
-  [Adam Technologies, Inc. Information](#)

Optimize Your Supply Chain with WIN SOURCE Solutions

-  Global Sourcing Solution
-  Obsolete Management
-  Cost Control Management
-  Shortage Management
-  Alternative Solution
-  Excess Inventory Management