



# THE DATASHEET OF 622HH



**ebm-papst St. Georgen GmbH & Co. KG**

Hermann-Papst-Str. 1

D-78112 St. Georgen

Phone +49 (0) 7724 81-0

Fax +49 (0) 7724 81-1309

info2@de.ebmpapst.com

www.ebmpapst.com

**Nominal data**

| Type                     | 622 HH            |         |
|--------------------------|-------------------|---------|
| Nominal voltage          | VDC               | 12      |
| Nominal voltage range    | VDC               | 8 .. 15 |
| Speed (rpm)              | min <sup>-1</sup> | 8200    |
| Power consumption        | W                 | 3.5     |
| Min. ambient temperature | °C                | -20     |
| Max. ambient temperature | °C                | 70      |
| Air flow                 | m <sup>3</sup> /h | 56      |
| Sound power level        | B                 | 5.6     |
| Sound pressure level     | dB(A)             | 43      |

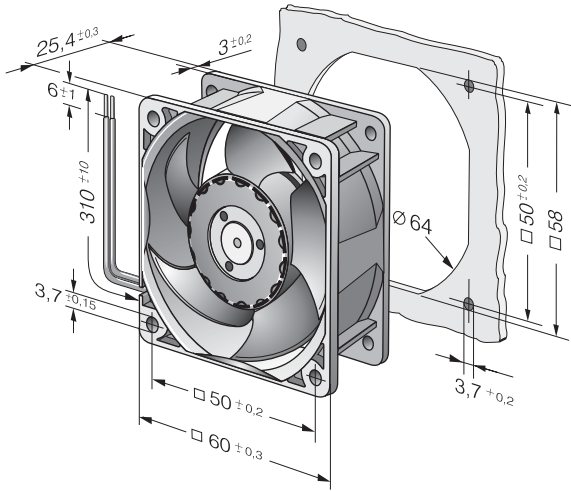
ml = Max. load · me = Max. efficiency · fa = Free air · cs = Customer specification · ce = Customer equipment  
Subject to change



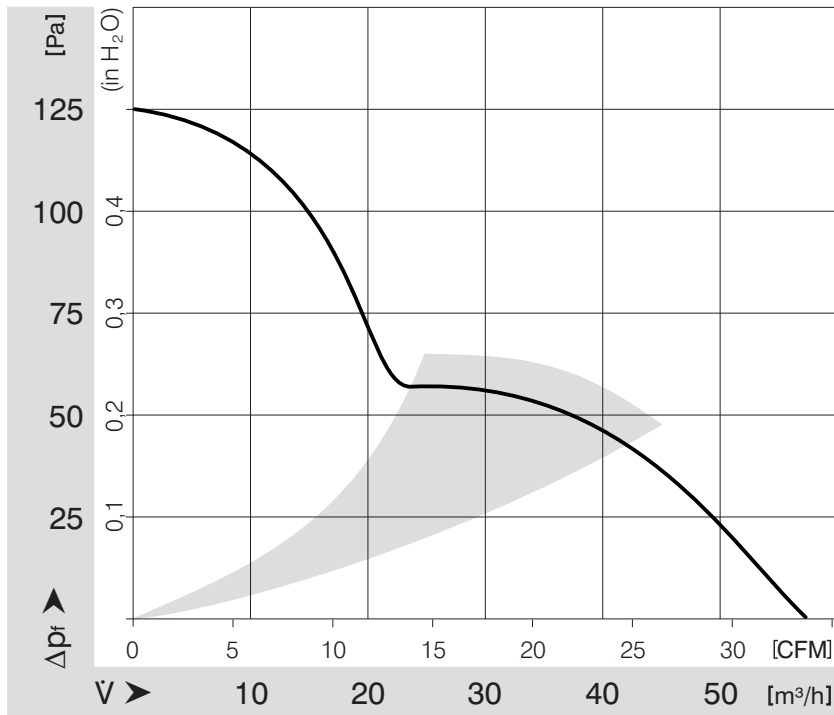
### Technical description

|  |  |
|--|--|
| <b>Weight</b>                                  | 0.085 kg   |
| <b>Dimensions</b>                              | 60 x 60 x 25 mm  |
| <b>Impeller material</b>                       | Glass-fiber reinforced PA plastic  |
| <b>Housing material</b>                        | Glass-fiber reinforced PBT plastic   |
| <b>Airflow direction</b>                       | Exhaust over struts  |
| <b>Direction of rotation</b>                   | Clockwise, viewed toward rotor   |
| <b>Storage</b>                                 | Ball bearing   |
| <b>Service life L10 at 40 °C</b>               | 65000 h  |
| <b>Service life L10 at maximum temperature</b> | 32500 h  |
| <b>Cable</b>                                   | Leads AWG 22, TR 64, stripped and tin-plated.  |
| <b>Motor protection</b>                        | Protection against reverse polarity and blocked rotor.   |
| <b>Locked-rotor protection</b>                 | With electronic locked-rotor and overload protection   |
| <b>Approval</b>                                | VDE, CSA, UL, CE   |
| <b>Option</b>                                  | Possible custom designs:<br>Speed signal<br>Go / No-go alarm<br>Alarm with speed limit<br>External temperature sensor<br>Internal temperature sensor<br>PWM control input<br>Analog control input<br>Moisture protection |

Product drawing



## Curves: Air performance



## Looking for pricing, stock, or lifecycle information?

Click below to explore more details on WIN SOURCE:

- [View 622HH on WIN SOURCE](#)
- [ebm-papst Information](#)

## Optimize Your Supply Chain with WIN SOURCE Solutions

- ✓ Global Sourcing Solution
- ✓ Obsolete Management
- ✓ Cost Control Management
- ✓ Shortage Management
- ✓ Alternative Solution
- ✓ Excess Inventory Management