



**THE DATASHEET OF  
QG030-303/12**



QG030-303/12

# DC tangential blower

forward-curved



## ebm-papst St. Georgen GmbH & Co. KG

Hermann-Papst-Str. 1

D-78112 St. Georgen

Phone +49 (0) 7724 81-0

Fax +49 (0) 7724 81-1309

info2@de.ebmpapst.com

www.ebmpapst.com

## Nominal data

Type	QG030-303/12	
Nominal voltage	VDC	12
Nominal voltage range	VDC	8 .. 14
Power consumption	W	8.7
Min. ambient temperature	°C	-20
Max. ambient temperature	°C	60
Air flow	m <sup>3</sup> /h	140
Sound power level	B	5.8
Sound pressure level	dB(A)	51

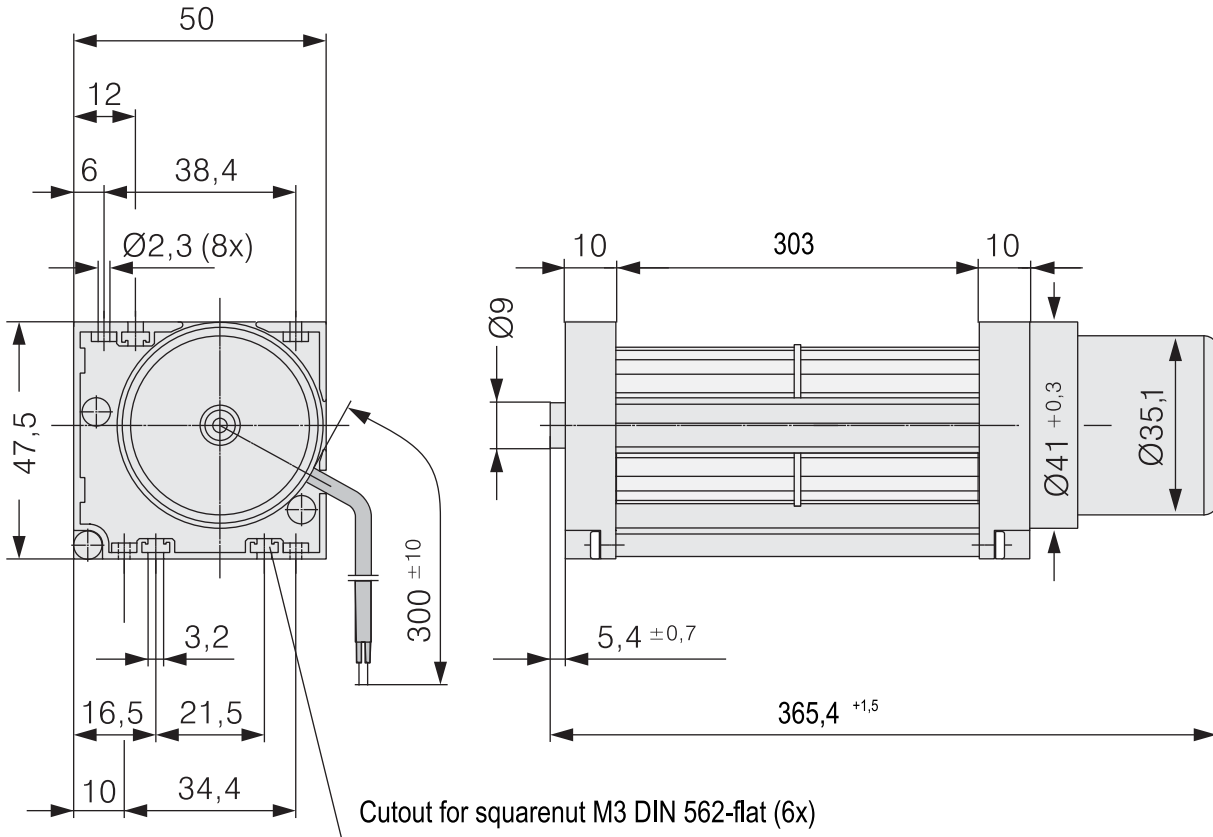
ml = Max. load · me = Max. efficiency · fa = Free air · cs = Customer specification · ce = Customer equipment  
Subject to change



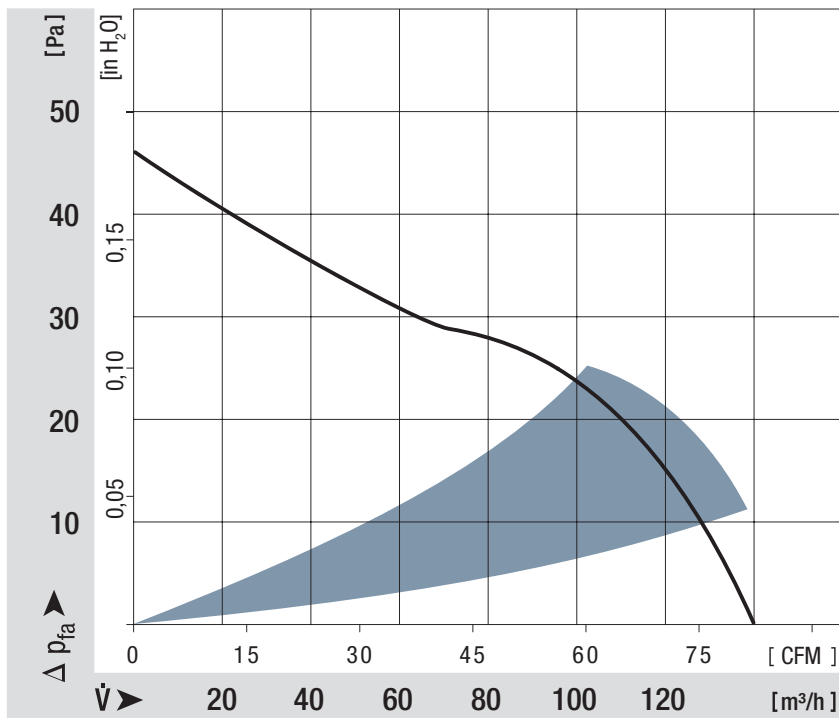
**Technical description**

<b>Weight</b>	0.380 kg
<b>Impeller material</b>	Aluminum
<b>Housing material</b>	Aluminum, housing side parts made of plastic.
<b>Direction of rotation</b>	Clockwise, viewed toward rotor
<b>Storage</b>	Motor with ball bearing system. Impeller retaining plate with sleeve bearing.
<b>Service life L10 at 40 °C</b>	30000 h
<b>Service life L10 at maximum temperature</b>	20000 h
<b>Cable</b>	With leads AWG 24, TR 64
<b>Motor protection</b>	Protection against reverse polarity and blocked rotor.
<b>Locked-rotor protection</b>	Locked-rotor and overload protection
<b>Approval</b>	VDE, CSA, UL, CE

Product drawing





## Curves



## Looking for pricing, stock, or lifecycle information?

Click below to explore more details on WIN SOURCE:

-  [View QG030-303/12 on WIN SOURCE](#)
-  [ebm-papst Information](#)

## Optimize Your Supply Chain with WIN SOURCE Solutions

-  Global Sourcing Solution
-  Obsolete Management
-  Cost Control Management
-  Shortage Management
-  Alternative Solution
-  Excess Inventory Management