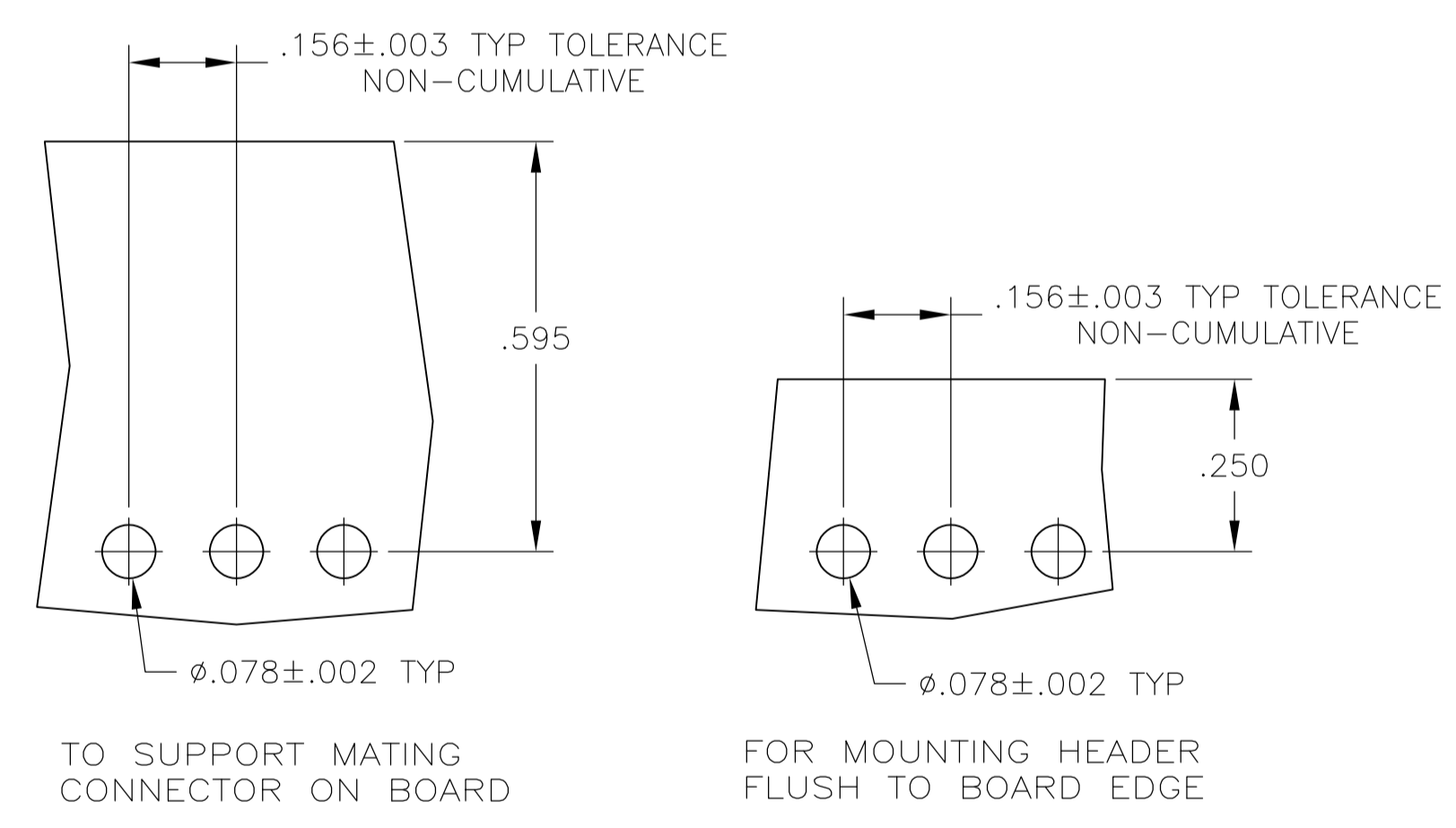
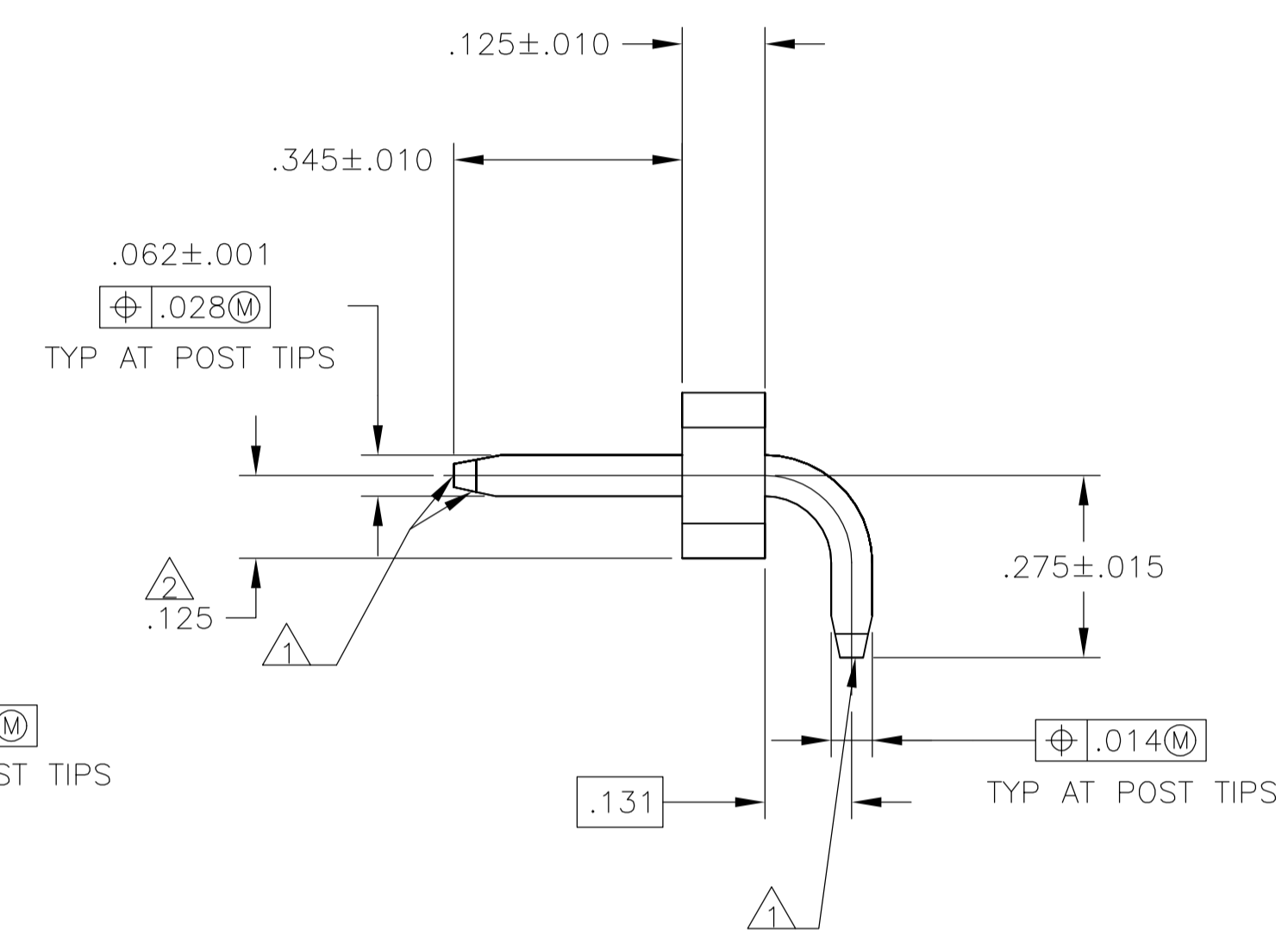
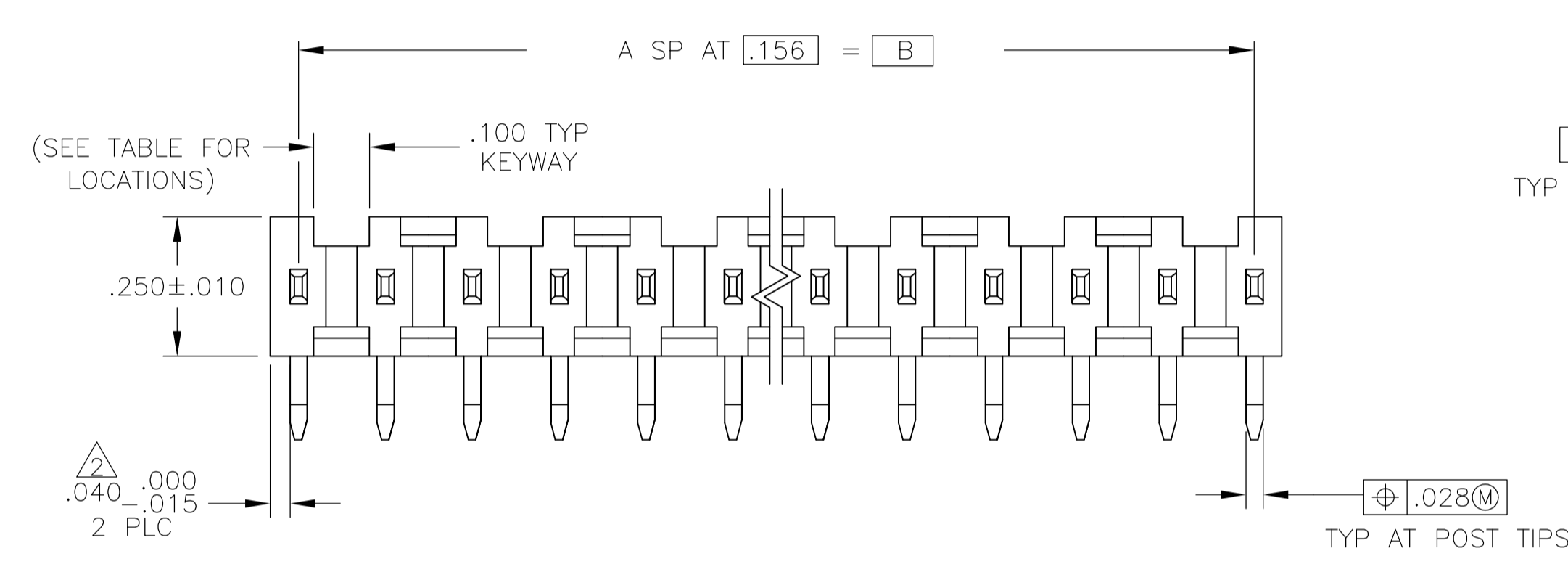
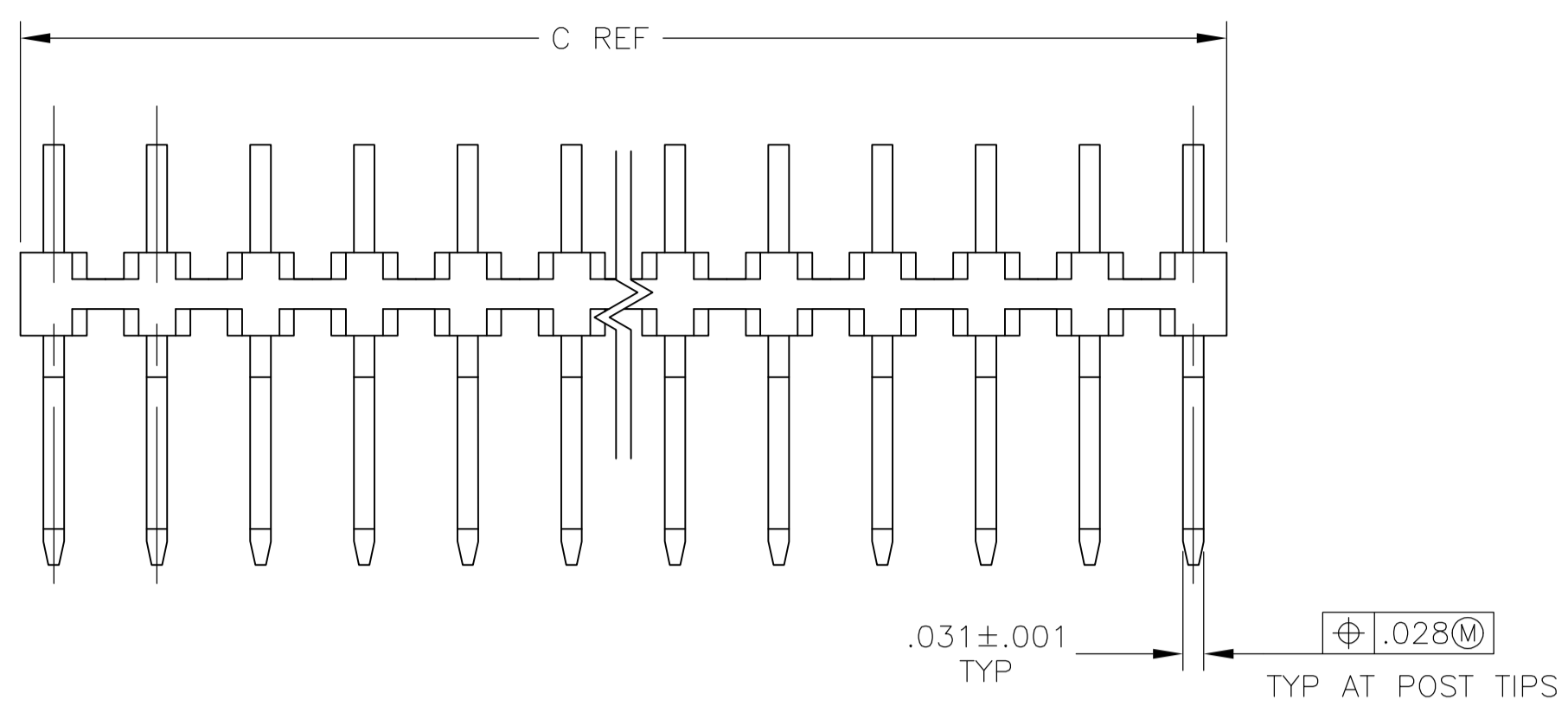


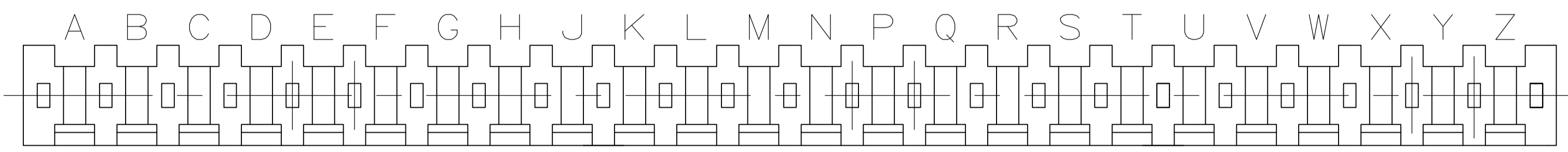


THE DATASHEET OF
87655-3





RECOMMENDED BOARD LAYOUTS



KEYWAY LOCATIONS (REF-SEE TABLE)
 (MATING LENGTH OF POST ON NEAR SIDE)
 SCALE 8:1

- ① THE TIPS OF THE POSTS WILL NOT BE PLATED
- ② THE NOTED DIMENSIONS APPLY AT THE INTERSECTION OF THE POST AND THE HOUSING
- ③ .000050-.000150 BRIGHT TIN LEAD.
- ④ .000050-.000150 MATTE TIN.
- ⑤ ROHS /95 /EC/ COMPLIANT
- ⑥ OBSOLETE PARTS: OBSOLETE CIS STREAMLINING PER D.RENAUD/D.SINISI

FINISH	KEYWAY LOCATIONS	NO OF KEYWAY	C	B	A	NO OF POSN	ASSEMBLY PART NUMBER
⑥ OBSOLETE	A,C,E,H,K,M,Q,S,U,W,Y	11	3.855	3.744	24	25	7-87655-5
	A,C,E,G,J,L,N,Q,S,U,W,Y	12	3.699	3.588	23	24	7-87655-4
	A,D,G,K,N,R,U,X	8	3.543	3.432	22	23	7-87655-3
	A,C,E,G,J,L,N,Q,S,U,W	11	3.387	3.276	21	22	7-87655-2
	A,D,G,K,N,R,U	7	3.231	3.120	20	21	7-87655-1
	A,C,E,G,J,L,N,Q,S,U	10	3.075	2.964	19	20	7-87655-0
	B,D,F,J,L,N,Q,S	8	2.919	2.808	18	19	6-87655-9
	A,D,F,J,M,P,S	7	2.763	2.652	17	18	6-87655-8
	A,D,G,K,N,R	6	2.607	2.496	16	17	6-87655-7
	A,C,E,G,J,L,N,Q	8	2.451	2.340	15	16	6-87655-6
	A,D,G,K,N	5	2.295	2.184	14	15	6-87655-5
	A,C,E,G,J,L,N	7	2.139	2.028	13	14	6-87655-4
⑥ OBSOLETE	A,D,J,M	4	1.983	1.872	12	13	6-87655-3
	A,C,E,G,J,L	6	1.827	1.716	11	12	6-87655-2
	A,D,G,K	4	1.671	1.560	10	11	6-87655-1
	A,C,E,G,J	5	1.515	1.404	9	10	6-87655-0
	A,D,G	3	1.359	1.248	8	9	5-87655-9
	A,C,E,G	4	1.203	1.092	7	8	5-87655-8
	A,C,E	3	1.047	.936	6	7	5-87655-7
	A,C,E	3	.891	.780	5	6	5-87655-6
	A,D	2	.735	.624	4	5	5-87655-5
	A,C	2	.579	.468	3	4	5-87655-4
	A	1	.423	.312	2	3	5-87655-3
	A	1	.267	.156	1	2	5-87655-2
⑥ OBSOLETE	A,C,E,H,K,M,Q,S,U,W,Y	11	3.855	3.744	24	25	2-87655-5
	A,C,E,G,J,L,N,Q,S,U,W,Y	12	3.699	3.588	23	24	2-87655-4
	A,D,G,K,N,R,U,X	8	3.543	3.432	22	23	2-87655-3
	A,C,E,G,J,L,N,Q,S,U,W	11	3.387	3.276	21	22	2-87655-2
	A,D,G,K,N,R,U	7	3.231	3.120	20	21	2-87655-1
	A,C,E,G,J,L,N,Q,S,U	10	3.075	2.964	19	20	2-87655-0
	B,D,F,J,L,N,Q,S	8	2.919	2.808	18	19	1-87655-9
	A,D,F,J,M,P,S	7	2.763	2.652	17	18	1-87655-8
	A,D,G,K,N,R	6	2.607	2.496	16	17	1-87655-7
	A,C,E,G,J,L,N,Q	8	2.451	2.340	15	16	1-87655-6
	A,D,G,K,N	5	2.295	2.184	14	15	1-87655-5
	A,C,E,G,J,L,N	7	2.139	2.028	13	14	1-87655-4
⑥ OBSOLETE	A,D,J,M	4	1.983	1.872	12	13	1-87655-3
	A,C,E,G,J,L	6	1.827	1.716	11	12	1-87655-2
	A,D,G,K	4	1.671	1.560	10	11	1-87655-1
	A,C,E,G,J	5	1.515	1.404	9	10	1-87655-0
	A,D,G	3	1.359	1.248	8	9	87655-9
	A,C,E,G	4	1.203	1.092	7	8	87655-8
	A,C,E	3	1.047	.936	6	7	87655-7
	A,C,E	3	.891	.780	5	6	87655-6
	A,D	2	.735	.624	4	5	87655-5
	A,C	2	.579	.468	3	4	87655-4
	A	1	.423	.312	2	3	87655-3
	A	1	.267	.156	1	2	87655-2


THIS DRAWING IS A CONTROLLED DOCUMENT. DIMENSIONS: INCHES. TOLERANCES UNLESS OTHERWISE SPECIFIED: 0 PLC ± .0005, 1 PLC ± .0005, 2 PLC ± .0005, 3 PLC ± .0005, 4 PLC ± .0005. ANGLES: ± .0005. MATERIAL: HOUSING - FLAME RETARDANT THERMOPLASTIC, COLOR - BLACK, POSTS - BRASS. FINISH: SEE TABLE. WEIGHT: -. SIZE: A1. CAGE CODE: 00779. DRAWING NO: 87655. RESTRICTED TO: CUSTOMER DRAWING. SCALE: 4:1. SHEET: 1 OF 1. REV: M3.

THIS DRAWING IS A CONTROLLED DOCUMENT. DIM: L A MAYER 14JUL87. CHK: J SCHIEFFER 14JUL87. APVD: J SCHIEFFER 14JUL87. NAME: Tyco Electronics Corporation, Harrisburg, Pa 17105-3608. PRODUCT SPEC: 108-25016. APPLICATION SPEC: -. SIZE: A1. CAGE CODE: 00779. DRAWING NO: 87655. RESTRICTED TO: CUSTOMER DRAWING. SCALE: 4:1. SHEET: 1 OF 1. REV: M3.

Header Assembly, Mod 1, Right Angle, Single Row, .156 CL.

Looking for pricing, stock, or lifecycle information?

Click below to explore more details on WIN SOURCE:

 [View 87655-3 on WIN SOURCE](#)

 [TE Connectivity](#) Information

Optimize Your Supply Chain with WIN SOURCE Solutions

-  Global Sourcing Solution
-  Obsolete Management
-  Cost Control Management
-  Shortage Management
-  Alternative Solution
-  Excess Inventory Management