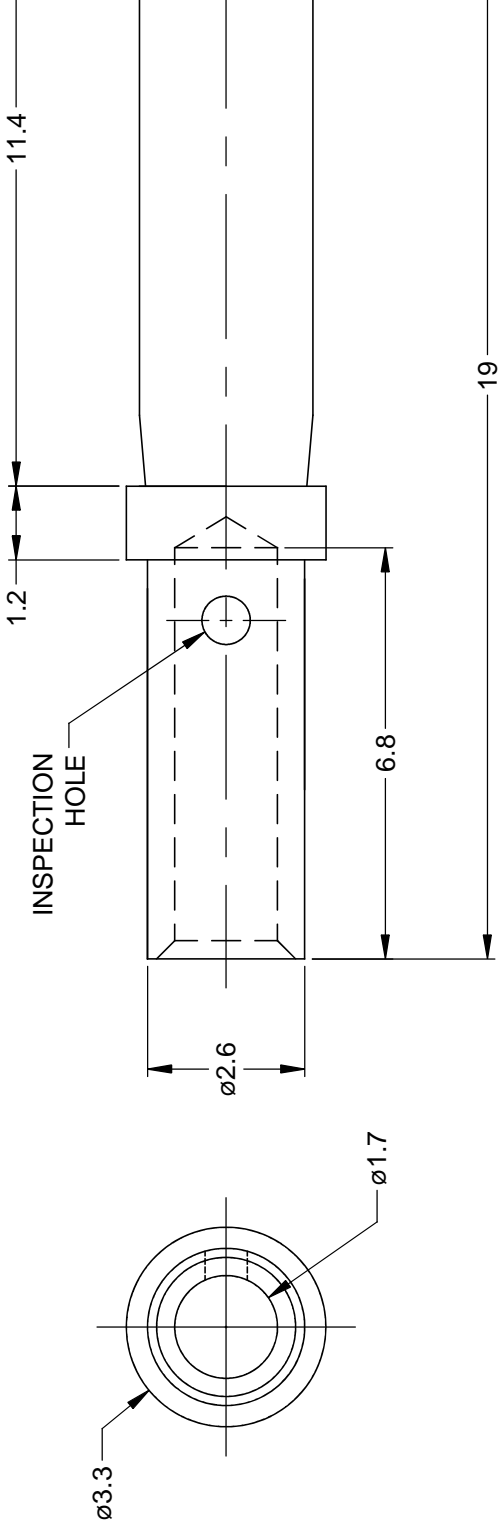




THE DATASHEET OF
AT62-201-16141



REV	ECO	DESCRIPTION
A4	-	RELEASE NEW DWG FORM



PART NUMBER CHART	
PLATING	PART NUMBER
GOLD	AT62-201-1631
NICKEL	AT62-201-16141

NOTES: UNLESS OTHERWISE SPECIFIED

1. MATERIAL: COPPER ALLOY
2. PLATING: SEE PART NUMBER CHART
3. CONTACT SIZE: 16
4. SPECIFICATIONS:
 - 4.1 CURRENT RATING: 13 AMPS
 - 4.2 CONTACT MILLIVOLT DROP: 60 MILLIVOLT DROP @ 13 AMP TEST CURRENT.
 - 4.3 RoHS COMPLIANT
5. RECOMMENDED WIRE RANGE: 16 - 20 AWG
6. AVAILABLE HAND CRIMPER: CA-5D12
7. ALL DIMENSIONS ARE FOR REFERENCE USE ONLY

SEE PART NUMBER CHART		PART NUMBER		DE	
QUANTITY	SIGNATURES	DATE	MATERIALS LIST		
UNLESS OTHERWISE SPECIFIED	DRAWN: DPARKS	10/OCT/13	A		
1) All dimensions are in metric(mm).	CHECKED:		Sin		
2) Tolerances are as follows:	ENGINEER:		CONT: 16-2		
1 PL DEC ± 0.30 Fractions $\pm 1/64$	APPROVAL:		TYPE		
2 PL DEC ± 0.15 Angles $\pm 1^\circ$	CUSTOMER:		SIZE		
3) Note reference = $\triangle X$	THIS DRAWING IS SUPPLIED FOR INFORMATION ONLY. DESIGN FEATURES, SPECIFICATIONS AND PERFORMANCE DATA SHOWN HEREON ARE THE PROPERTY OF THE AMPHENOL CORPORATION. NO RIGHTS OR PERMISSIONS ARE GRANTED. ALL DIMENSIONS ARE SUBJECT TO NORMAL MANUFACTURING VARIATIONS.				
MATERIAL SPECIFICATIONS:	SCALE				
PROCESS SPECIFICATIONS:	NONE				
NEXT ASSY:					

Looking for pricing, stock, or lifecycle information?

Click below to explore more details on WIN SOURCE:

- ⊖ [View AT62-201-16141 on WIN SOURCE](#)
- ⊖ [Amphenol Sine Systems Corp Information](#)

Optimize Your Supply Chain with WIN SOURCE Solutions

- ✓ Global Sourcing Solution
- ✓ Obsolete Management
- ✓ Cost Control Management
- ✓ Shortage Management
- ✓ Alternative Solution
- ✓ Excess Inventory Management