



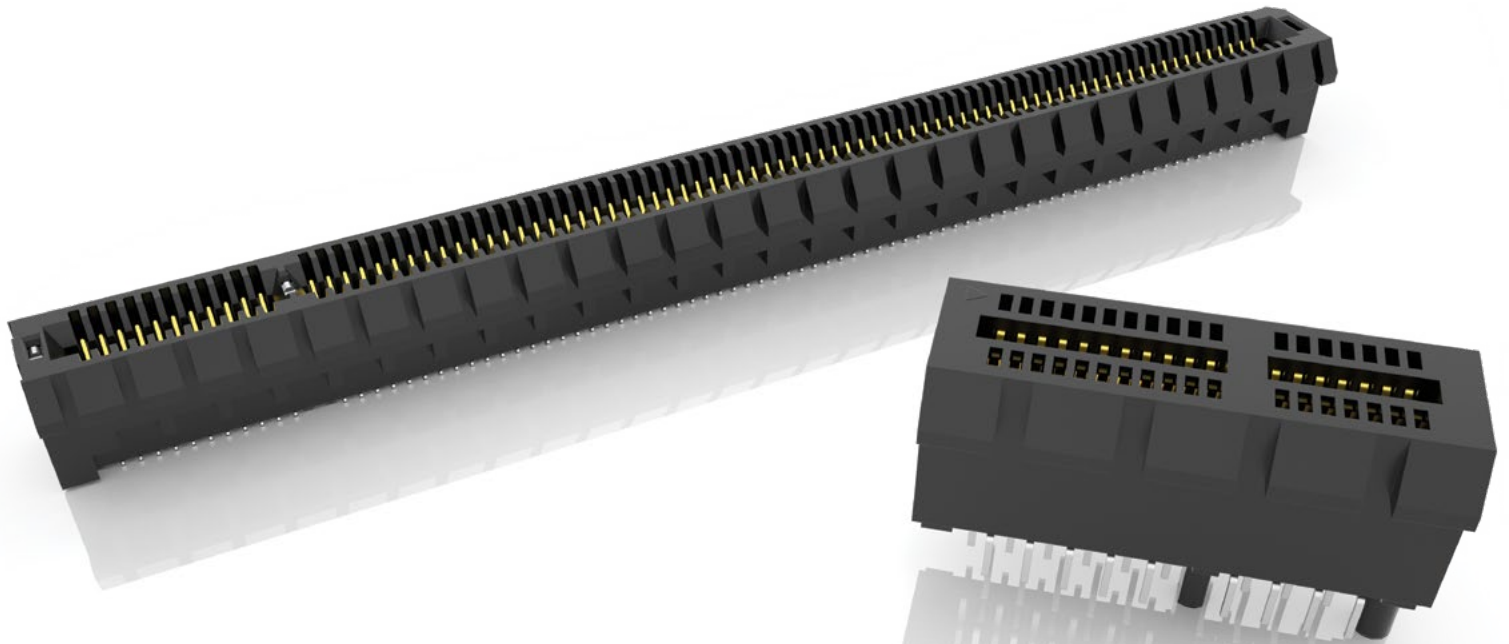
**THE DATASHEET OF  
PCIE-036-02-F-D-RA**





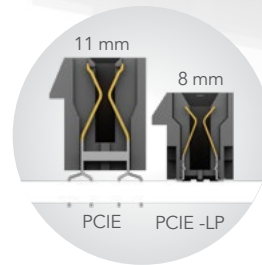
# PCI EXPRESS® EDGE CARD SOCKETS

(1.00 mm) .0394" PITCH



## FEATURES & BENEFITS

- 1.00 mm pitch
- Supports 1, 4, 8 and 16 PCI Express® links
- PCIe® 3.0 Solution (PCIe)
- PCIe® 4.0 Solution with low profile design for space savings (PCIe-LP)
- PCIe® 4.0 with slim body design (PCIe-G4)
- PCIe® 5.0 Solution with differential pair signaling (PCIe-G5)
- Vertical, right-angle and edge mount
- Mates with .062" (1.60 mm) thick cards
- Alignment pin and weld tab options



PCIe® 3.0 & 4.0  
Edge Card  
connectors



PCIe® 4.0 slim body  
socket with Edge Rate®  
contacts (PCIe-G4)

## KEY SPECIFICATIONS

SERIES	TOTAL PINS (LANES)	INSULATOR MATERIAL	CONTACT MATERIAL	OPERATING TEMP RANGE	CURRENT RATING	VOLTAGE RATING	PCIe® COMPATIBILITY
PCIe	36 (x1), 64 (x4), 98 (x8), 164 (x16)	-TH = Black Nylon -EMS2 & -TH = LCP	Phosphor Bronze	-55 °C to +125 °C	2.4 A (2 pins)	215 VAC	3.0
PCIe-LP	36 (x1), 64 (x4), 98 (x8), 164 (x16)	LCP	Phosphor Bronze	-55 °C to +125 °C	2.1 A (2 pins)	215 VAC	4.0
PCIe-G4	36 (x1), 64 (x4), 98 (x8), 164 (x16)	LCP	Copper Alloy	-55 °C to +125 °C	2.2 A (2 pins)	300 VAC	4.0
PCIe-G5	36 (x1), 64 (x4), 98 (x8), 164 (x16)	LCP	Copper Alloy	-55 °C to +125 °C	3.2 A (2 pins)	235 VAC	5.0

**(1.00 mm) .0394" PITCH • PCI EXPRESS® CARD SOCKETS**

**PCIE** - **NUMBER OF POSITIONS** - **02** - **PLATING OPTION** - **D** - **TAIL OPTION**

**-036, -064, -098, -164**

**-F**  
= Gold flash on contact,  
Tin on tail

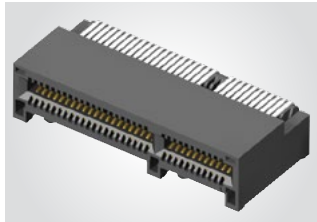
**-EMS2**  
= Edge Mount

**-TH**  
= Through-hole

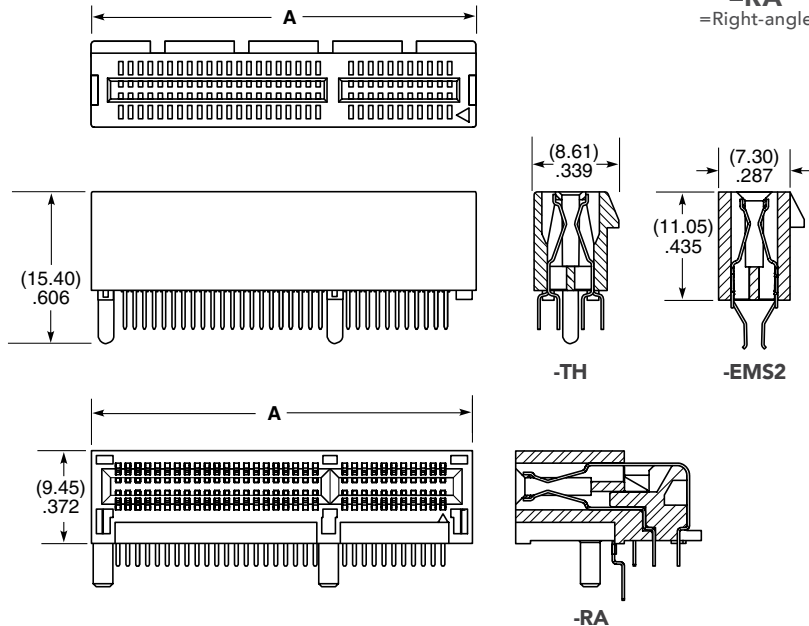
**-RA**  
= Right-angle

**PCIE**

**Card Mates:**  
(1.60 mm)  
.062" card  
**Cable Mates:**  
PCIEC



POSITIONS	A
<b>-036 (x1)</b>	(25.00) .984
<b>-064 (x4)</b>	(39.00) 1.535
<b>-098 (x8)</b>	(56.00) 2.205
<b>-164 (x16)</b>	(89.00) 3.504



View complete specifications at: [samtec.com?PCIE](http://samtec.com?PCIE)

**PCIE** - **LP** - **NUMBER OF LANES** - **01** - **PLATING OPTION** - **DV** - **A** - **OPTION** - **PACKAGING**

**-01, -04,  
-08, -16**

**-F**  
= Gold Flash on  
contact, Matte  
Tin on tail

**-S**  
= 30 μ" (0.75 μm)  
Gold on contact,  
Matte Tin on tail

**-WT**  
= Weld Tab

**-K**  
= Polyimide film  
Pick & Place Pad

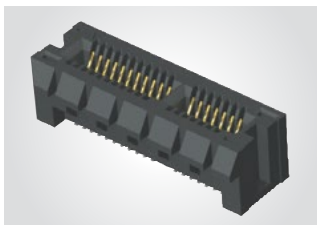
(For -16 lanes  
only leave blank for  
Tray Packaging)

**-TR**  
= Tape & Reel  
("X"R required with  
-01, -04, -08 lanes)

**-FR**  
= Full Reel  
Tape & Reel  
(must order max.  
quantity per reel;  
contact Samtec for  
quantity breaks)  
("X"R required with  
-01, -04, -08 lanes)

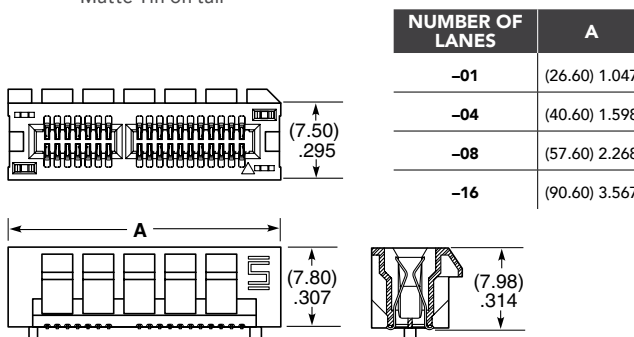
**PCIE-LP**

**Card Mates:**  
(1.60 mm)  
.062" card  
**Cable Mates:**  
PCIEC



PCI-SIG®, PCI Express® and the PCIe® design marks are registered trademarks and/or service marks of PCI-SIG.

**Note:**  
Some lengths, styles and options are non-standard, non-returnable.



NUMBER OF LANES	A
<b>-01</b>	(26.60) 1.047
<b>-04</b>	(40.60) 1.598
<b>-08</b>	(57.60) 2.268
<b>-16</b>	(90.60) 3.567

View complete specifications at: [samtec.com?PCIE-LP](http://samtec.com?PCIE-LP)

## Looking for pricing, stock, or lifecycle information?

Click below to explore more details on WIN SOURCE:

 [View PCIE-036-02-F-D-RA on WIN SOURCE](#)

 [Samtec Inc. Information](#)

## Optimize Your Supply Chain with WIN SOURCE Solutions

-  Global Sourcing Solution
-  Obsolete Management
-  Cost Control Management
-  Shortage Management
-  Alternative Solution
-  Excess Inventory Management