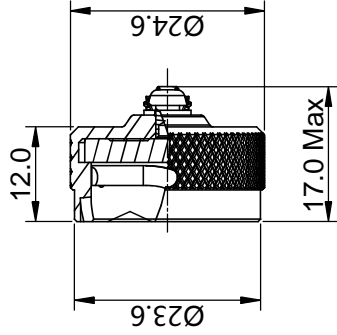




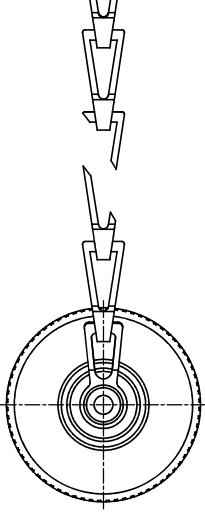
THE DATASHEET OF RT012DCG



REV	ECO	REL
B1	-	



100 Ref



NOTES : (UNLESS OTHERWISE SPECIFIED)

1. MATERIAL :
 RIVET : COPPER ALLOY,NICKEL PLATING
 CHAIN : STAINLESS STEEL.
 DUST CAP : AL ALLOY , NICKEL PLATED.
 O-RING : NBR.
2. SPECIFICATIONS :
 2.1 OPERATING TEMPERATURE : -40°C ~ +105°C.
 2.2 IP--CLASS : IP67.
 2.3 MATING CYCLES DURABILITY : 500 CYCLES MIN.
 2.4 ROHS COMPLIANT.
3. ALL DIMENSIONS ARE FOR REFERENCE USE ONLY.

RT012DC X X
 ① ②



P/N	①	②
RT012DC	---	---
RT012DCA	---	A
RT012DCG	G	---
RT012DCGA	G	A

SEE PARTNUMBER CHART		MATERIAL	
QUANTITY	PART NUMBER	SIGNATURES	DATE
UNLESS OTHERWISE SPECIFIED			
1) All dimensions are in metric (mm).			
2) Tolerances are as follows:			
DRAWN: BEN		JUN20	
CHECKED: PL DEC 40,15		1/164	
3) Note reference = Δ		Approved	
ENGINEER:		APPROVAL:	
MATERIAL SPECIFICATIONS:		CUSTOMER:	
PROCESS SPECIFICATIONS:			
NEXT ASSY:			

THIS DRAWING IS SUPPLIED FOR INFORMATION ONLY. IT IS NOT TO BE USED FOR SPECIFICATIONS AND PERFORMANCE. THE DRAWING SHOWN HEREON ARE THE PROPERTY OF THE COMPANY AND NO REPRODUCTION OR REPRODUCTION OF REPRODUCTION ARE IMPLIED. ALL DIMENSIONS ARE TO BE TAKEN TO NORMAL MANUFACTURING VARIATIONS.

Looking for pricing, stock, or lifecycle information?

Click below to explore more details on WIN SOURCE:

-  [View RT012DCG on WIN SOURCE](#)
-  [Amphenol Sine Systems Corp Information](#)

Optimize Your Supply Chain with WIN SOURCE Solutions

-  Global Sourcing Solution
-  Obsolete Management
-  Cost Control Management
-  Shortage Management
-  Alternative Solution
-  Excess Inventory Management