



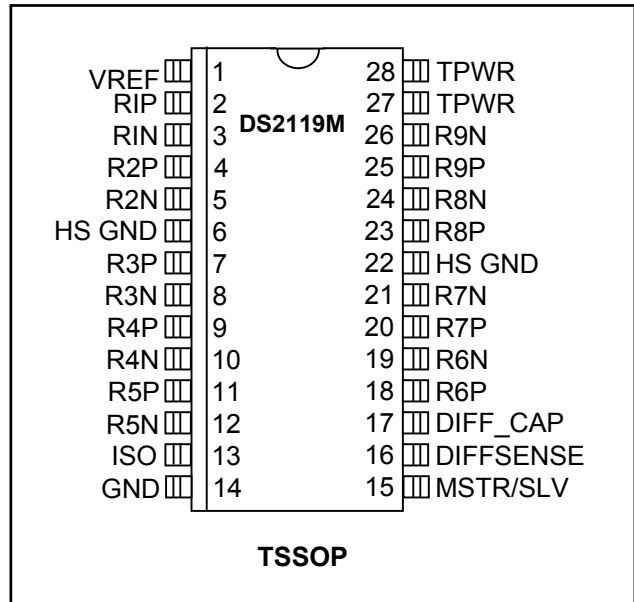
**THE DATASHEET OF
DS2119ME+T&R**



FEATURES

- Fully Compliant with SCSI SPI-2, SPI-3, SPI-4, Ultra160, and Ultra320
- Provides Multimode Low-Voltage Differential/Single-Ended (LVD/SE) Termination for Nine Signal Line Pairs
- Autoselection of LVD or SE Termination
- 5% Tolerance on SE and LVD Termination Resistance
- Low Power-Down Capacitance of 3pF
- On-Board Thermal Shutdown Circuitry
- SCSI Bus Hot Plug Compatible
- Fully Supports Actively Negated SE SCSI Signals

PIN CONFIGURATION



ORDERING INFORMATION

PART	VOLTAGE (V)	TEMP RANGE	PIN-PACKAGE	TOP MARK*
DS2119ME	5	0°C to +70°C	28 TSSOP (0.173")	DS2119M
DS2119ME+	5	0°C to +70°C	28 TSSOP (0.173")	DS2119M
DS2119ME/T&R	5	0°C to +70°C	28 TSSOP (0.173")/Tape and Reel	DS2119M
DS2119ME+T&R	5	0°C to +70°C	28 TSSOP (0.173")/Tape and Reel	DS2119M

+ Denotes a lead-free/RoHS-compliant package.

* The top mark includes a "+" on lead-free packages.

DETAILED DESCRIPTION

The DS2119M Ultra3 LVD/SE SCSI terminator is both a low-voltage differential (LVD) and single-ended (SE) terminator. The multimode operation enables the designer to implement LVD in current products while allowing the end-user SE-backward compatibility with legacy devices. If the device is connected in an LVD-only bus, the DS2119M will use LVD termination. If any SE devices are connected to the bus, the DS2119M will use SE termination. This is accomplished automatically inside the part by sensing the voltage on the SCSI bus DIFFSENS line.

For the LVD termination, the DS2119M integrates two current sources with nine precision resistor strings. For the SE termination, one regulator and nine precision 110Ω resistors are used. Three DS2119M terminators are needed for a wide SCSI bus.

REFERENCE DOCUMENTS

Small Computer Systems Interface (SCSI-3)	SCSI Parallel Interface (SPI)	Project: 0855-M, 1995
Small Computer Systems Interface (SCSI-3)	SCSI Parallel Interface 2 (SPI-2)	Project: 1142-M, 1998
Small Computer Systems Interface (SCSI-3)	SCSI Parallel Interface 3 (SPI-3)	Project: 1302-D, 1999
Small Computer Systems Interface (SCSI-3)	SCSI Parallel Interface 4 (SPI-4)	Project: 1365-D, 200x

Available From:

American National Standards Institute (ANSI) Phone: (212) 642-4900

Global Engineering Documents 15 Inverness Way East; Englewood, CO 80112 Phone: (800) 854-7179

FUNCTIONAL DESCRIPTION

The DS2119 combines LVD and SE termination with DIFFSENS sourcing and detection.

A bandgap reference is fed into two amplifiers, which creates a 1.25V reference voltage and a 2.85V reference voltage. The control logic determines which of these references will be applied to the termination resistors. If the SCSI bus is in LVD mode, then the 1.25V reference will be used. If the SCSI bus is in SE mode, then the 2.85V reference will be used. That same control logic will switch in/out parallel resistors to change the total termination resistance accordingly. Finally, in SE mode, the Rp pins will be switched to ground.

The DIFFSENSE circuitry decodes trinary logic. There will be one of three voltages on the SCSI control line called DIFFSENS. Two comparators and a NAND gate determine if the voltage is below 0.6V, above 2.15V, or in between. That indicates the mode of the bus to be SE, HVD, or LVD, respectively.

The DS2119M's DIFF_CAP pin monitors the DIFFSENS line to determine the proper operating mode of the device. The DIFFSENSE pin can also drive the SCSI DIFFSENS line (when MSTR/SLV = 1) to determine the SCSI bus-operating mode. The DS2119M switches to the termination mode that is appropriate for the bus based on the value of the DIFFSENS voltage. These modes are:

- **LVD Mode:** LVD termination is provided by a precision laser-trimmed resistor string with two current sources. This configuration yields a 105Ω differential and 150Ω common-mode impedance. A fail-safe bias of 112mV is maintained when no drivers are connected to the SCSI bus.
- **SE Mode:** When the external driver for a given signal line turns off, the active terminator will pull that signal line to 2.85V (quiescent state). When used with an active negation driver, the power amp can sink 22mA per line and the reference voltage will move less than 100mV. The terminating resistors maintain their 110Ω value.
- **HVD Isolation Mode:** The DS2119M identifies that there is an HVD (high-voltage differential) device on the SCSI bus and isolates the termination pins from the bus.

When ISO = 1, the termination pins are isolated from the SCSI bus, V_{REF} remains active. During thermal shutdown, the termination pins are isolated from the SCSI bus and V_{REF} becomes high impedance. The DIFFSENSE driver is shut down during either of these two events.

To ensure proper operation, the TPWR pin should be connected to the SCSI bus TERMPWR line. As with all analog circuitry, the TERMPWR and V_{DD} lines should be bypassed locally. A 2.2μF capacitor and a 0.01μF high-frequency capacitor are recommended between TPWR and ground and placed as close

as possible to the DS2119M. The DS2119M should be placed as close as possible to the SCSI connector to minimize signal and power-trace length, thereby resulting in less input capacitance and reflections, which can degrade the bus signals.

To maintain the specified regulation, a 4.7 μ F capacitor is required between the V_{REF} pin (VREF) and ground of each DS2119M. A high frequency cap (0.1 μ F ceramic recommended) can also be placed on the V_{REF} pin in applications that use fast rise/fall time drivers. A typical SCSI bus configuration is shown in Figure 2.

- **DIFFSENS Noise Filtering:** The DS2119M incorporates a digital filter to remove high-frequency transients on the DIFFSENS control line, thereby eliminating erroneous switching between modes. This filter eliminates the need for the external capacitor and resistor, which heretofore performed this function.

NOTES:

- 1) DIFFSENS. Refers to the SCSI bus signal.
- 2) DIFFSENSE. Refers to the Dallas Semiconductor pin name and internal circuitry relating the DIFFSENS driver.

Figure 1. DS2119M Block Diagram

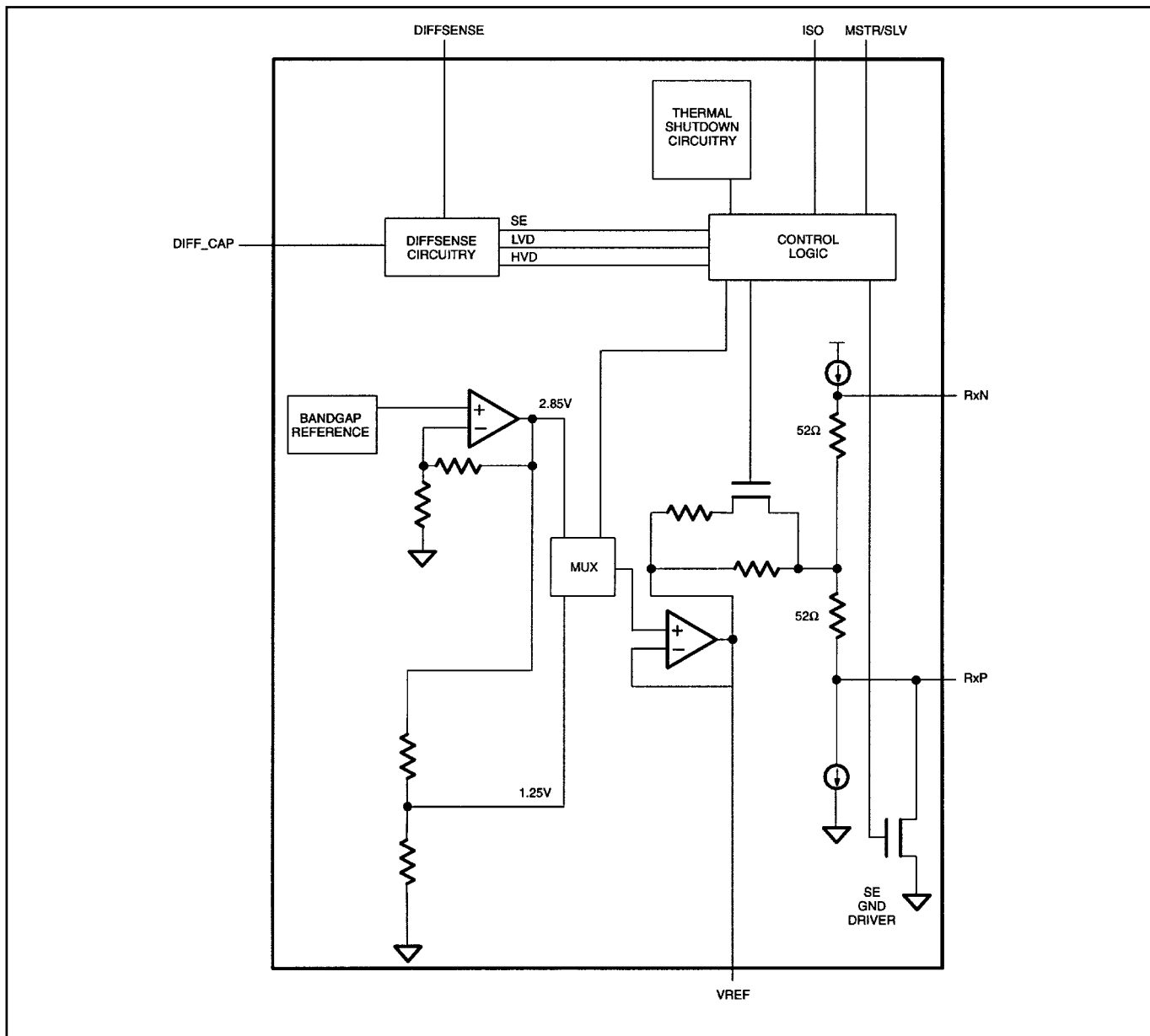
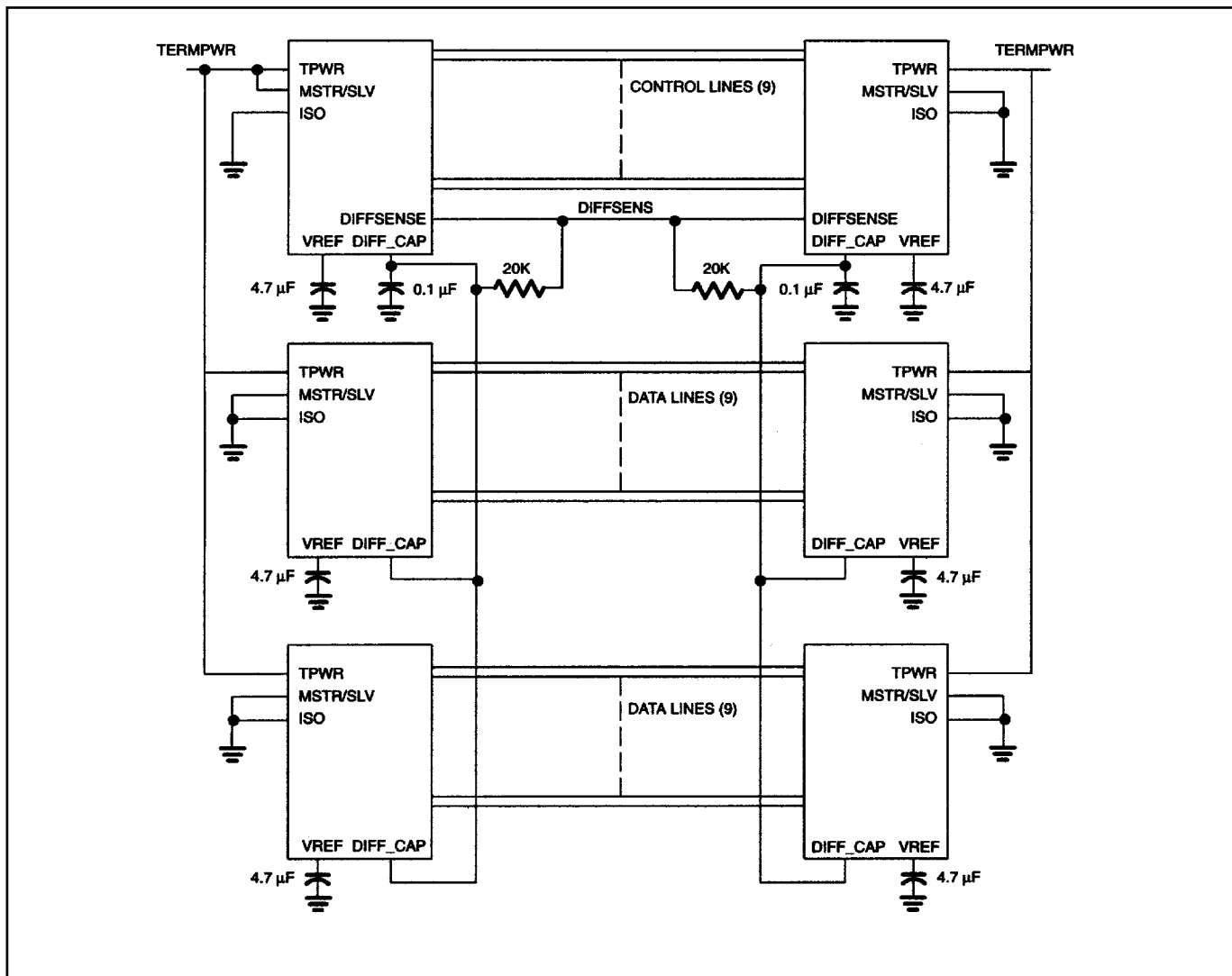


Figure 2. SCSI Bus Configuration



PIN DESCRIPTION

PIN	NAME	FUNCTION
1	VREF	Reference Voltage. 2.85V reference in SE mode and 1.25V reference in LVD mode; must be decoupled with a 4.7 μ F cap.
2–5, 7–12, 18–21, 23–26	RxP, RxN	Signal Termination. Connect to SCSI bus signal lines.
6, 22	HS GND	Heat Sink Ground. Internally connected to the mounting pad. Should be grounded.
13	ISO	Isolation. When pulled high, the DS2119M isolates its bus pins (RxP, RxN) from the SCSI bus.
14	GND	Ground. Signal ground; 0V.
15	MSTR/SLV	Master/Slave. Mode-select for the noncontrolling terminator. When pulled high, MSTR enables the DIFFSENSE driver.
16	DIFFSENSE	DIFFSENSE. Output to drive the SCSI bus DIFFSENS line.
17	DIFF_CAP	DIFFSENSE Capacitor. Connect a 0.1 μ F capacitor for DIFFSENSE filter. Input to detect the type of device (differential or single-ended) on the SCSI bus.
27, 28	TPWR	Termination Power. Connect to the SCSI TERMPWR line and decouple with a 2.2 μ F capacitor.

RECOMMENDED OPERATING CONDITIONS

PARAMETER		SYMBOL	MIN	TYP	MAX	UNITS	NOTES
Termpower Voltage	SE Mode	$V_{TPWR(SE)}$	4.0		5.5	V	
	LVD Mode	$V_{TPWR(LVD)}$	2.7		5.5	V	
Logic 0		V_{IL}	-0.3		+0.8	V	
Logic 1		V_{IH}	2.0		$V_{TPWR} + 0.3$	V	
Operating Temperature		V_{AMB}	0		70	$^{\circ}$ C	

SINGLE-ENDED CHARACTERISTICS

PARAMETER	SYMBOL	MIN	TYP	MAX	UNITS	NOTES
SE Termination Resistance	R_{SE}	104.5	110	115.5	Ω	1
SE Voltage Reference	V_{REF}	2.7	2.85	3.0	V	
SE Output Current	I_{OSE}			25.4	mA	2
Output Capacitance	C_{OUT}			3	pF	3

LOW-VOLTAGE DIFFERENTIAL CHARACTERISTICS

PARAMETER	SYMBOL	MIN	TYP	MAX	UNITS	NOTES
Differential Mode Termination Resistance	R_{DM}	100		110	Ω	
Common Mode Termination Resistance	R_{CM}	110		190	Ω	
Differential Mode Bias	V_{DM}	100		125	mV	4
Common Mode Bias	V_{CM}	1.125		1.375	V	

DC CHARACTERISTICS

PARAMETER	SYMBOL	MIN	TYP	MAX	UNITS	NOTES
Termpower Current	I_{TPMR}		12		mA	4
Input Leakage High	I_{IH}	-1.0			μ A	
Input Leakage Low	I_{IL}			1.0	μ A	
Output Current High	I_{OH}	-1.0			mA	5, 7
Output Current Low	I_{OL}	4.0			mA	6, 7
DIFFSENS SE Operating Range	V_{SEOR}	-0.3		0.5	V	
DIFFSENS LVD Operating Range	V_{LVDOR}	0.7		1.9	V	
DIFFSENS HVD Operating Range	V_{HVDOR}	2.4		$V_{TPWR} + 0.3$	V	
DIFFSENSE Driver Output Voltage	V_{DSO}	1.2		1.4	V	8, 9
DIFFSENSE Driver Source Current	I_{DSH}	5		15	mA	8, 10, 12
DIFFSENSE Driver Sink Current	I_{DSL}	20		200	μ A	8, 11
Thermal Shutdown			150		$^{\circ}$ C	3

REGULATOR CHARACTERISTICS(T_A = 0°C to +70°C)

PARAMETER	SYMBOL	MIN	TYP	MAX	UNITS	NOTES
Line Regulation	LI _{REG}		1.0	2.5	%	
Load Regulation	LO _{REG}		1.3	3.5	%	
Current Limit	I _{LIM}		550		mA	
Sink Current	I _{SINK}	200			mA	

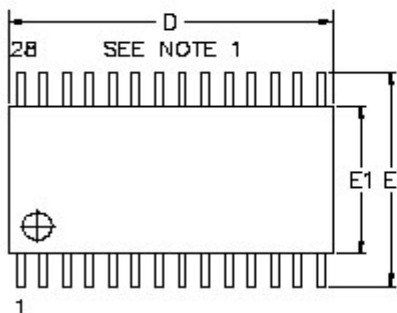
NOTES:

- 1) V_{LINE} = 0V to 3V.
- 2) V_{LINE} = 0.2V.
- 3) Guaranteed by design.
- 4) All lines open.
- 5) V_{OUT} = 2.4V.
- 6) V_{OUT} = 0.4V.
- 7) SE/LVD/HVD pins only.
- 8) MSTR/SLV = 1.
- 9) I_{DS} = 0mA to 5mA.
- 10) V_{DSO} = 0V.
- 11) V_{DSO} = 2.75V.
- 12) TPWR = 5.5V.

PACKAGE INFORMATION

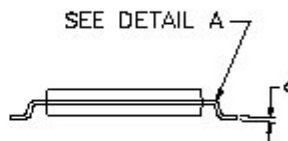
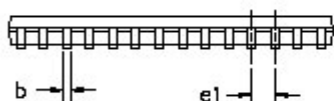
(The package drawing(s) in this data sheet may not reflect the most current specifications. For the latest package outline information, go to www.maxim-ic.com/DallasPackInfo.)

REVISIONS			
LTR	DESCRIPTION	DATE	APPROVED
A	NEW DRAWING		

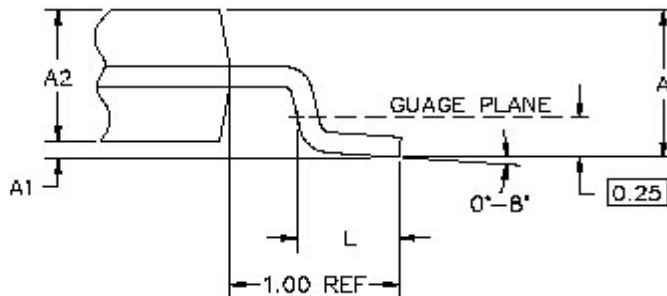


NOTES:

1. DIMENSION "D" DOES NOT INCLUDE MOLD MISMATCH, FLASH OR PROTRUSIONS. MOLD MISMATCH, FLASH AND PROTRUSIONS SHALL NOT EXCEED 0.15 PER SIDE.
2. DIMENSION "B" DOES NOT INCLUDE DAMBAR PROTRUSION. DAMBAR PROTRUSION SHALL NOT BE LOCATED ON THE LOWER RADIUS OF THE FOOT.



DIM	MIN	MAX
A	—	1.10
A1	0.05	—
A2	0.75	1.05
c	0.09	0.20
L	0.50	0.75
e1	0.65 BSC	
b	0.18	0.30
D	9.60	9.80
E1	4.40 BSC	
E	6.20	6.60



DETAIL A

DIMENSIONS ARE IN MILLIMETERS

SIGNATURE		DATE			
DOC. CONTROL:					
ENGR. MGR:					
MFG. ENGR:					
CHECKED BY:			TITLE		
DRAWN BY: R.W.E.		B/97	MARKETING OUTLINE, 28 LD. TSSOP, 4.4 MM BODY		
SIZE	PSCM NO.	PART NO.	REV		
A		56-G2020-001	A		
DO NOT SCALE DWG.		SCALE N/A	SHEET 1 OF 1		



Maxim/Dallas Semiconductor cannot assume responsibility for use of any circuitry other than circuitry entirely embodied in a Maxim/Dallas Semiconductor product. No circuit patent licenses are implied. Maxim/Dallas Semiconductor reserves the right to change the circuitry and specifications without notice at any time.

Maxim Integrated Products, 120 San Gabriel Drive, Sunnyvale, CA 94086 408-737-7600

© 2006 Maxim Integrated Products • Printed USA

Looking for pricing, stock, or lifecycle information?

Click below to explore more details on WIN SOURCE:

-  [View DS2119ME+T&R on WIN SOURCE](#)
-  [Maxim Integrated Information](#)

Optimize Your Supply Chain with WIN SOURCE Solutions

-  Global Sourcing Solution
-  Obsolete Management
-  Cost Control Management
-  Shortage Management
-  Alternative Solution
-  Excess Inventory Management