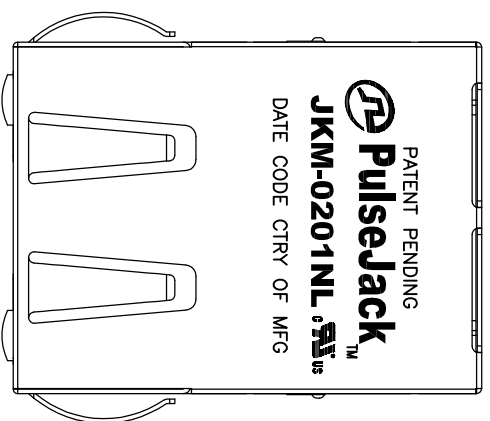




**THE DATASHEET OF
JKM-0201NL**

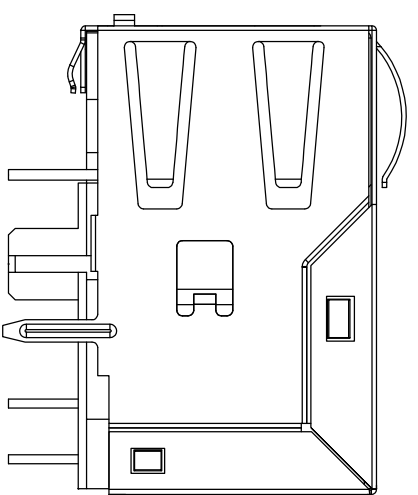
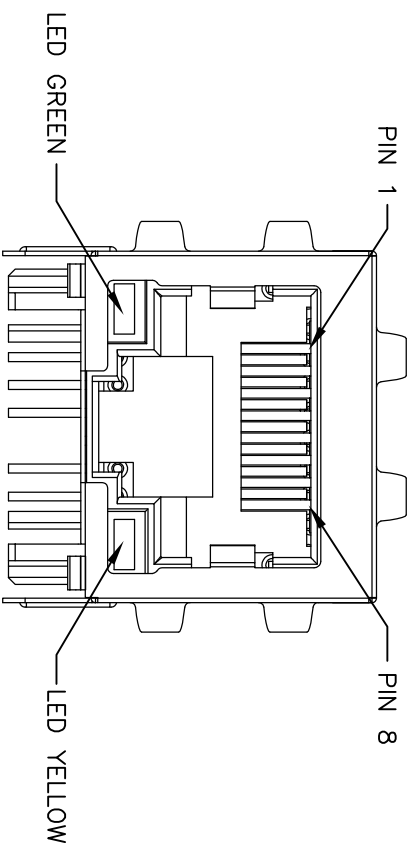


MATERIAL WITH FLAMMABILITY
 CLASSIFICATION: UNCLASSIFIED
 SOLDER PLATING.
 LEAD FREE
 BRONZE
 FINISHES DUCTILE NICKEL.
 DIMENSIONS 100% TIN, MATTE FINISH.
 PER ALLOY.
 AND REGULATIONS



5°C

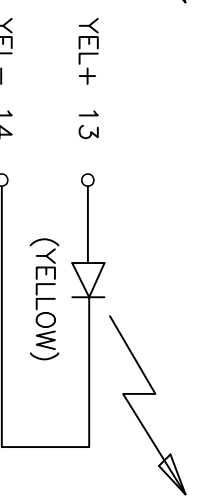
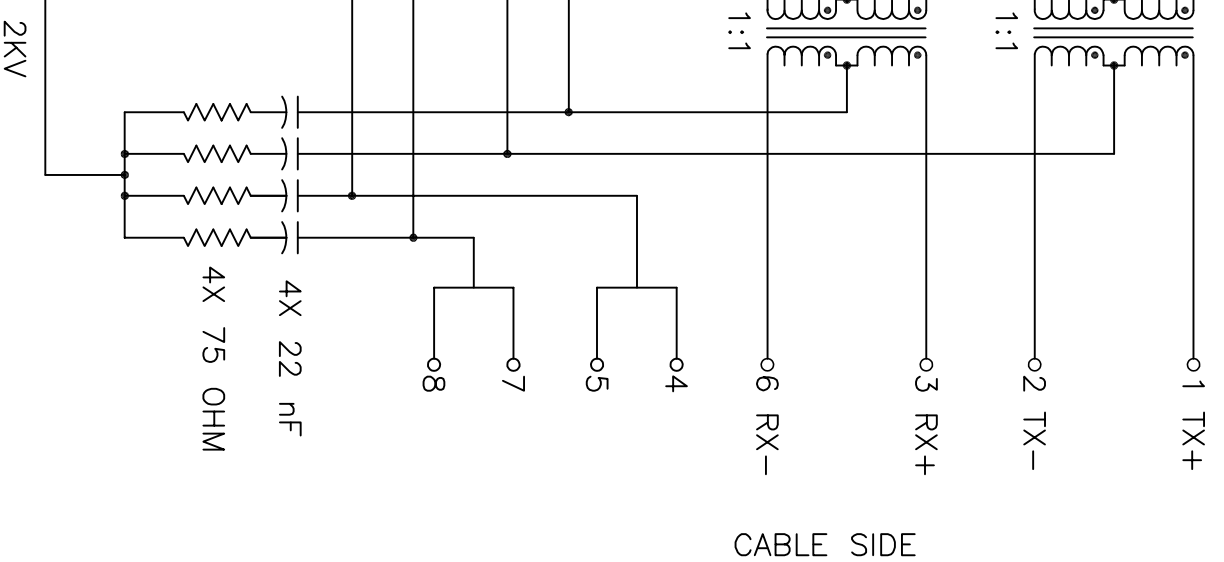
45°C DIP AND LOOK TEST
 REVERSE SENSITIVE
 THROUGH WAVE SOLDER



FINAL OUTLINE

All rights reserved. Pulse confidential & proprietary. (11/29/16)

TLA DRAWING	PS DRAWING	SHEET	PART NO.	DATASHEET REV.
JKM-0201NL-10	PS-2582.009-A	1 OF 5	JKM-0201NL	B



OMATIC

All rights reserved. Pulse confidential & proprietary. (11/29/16)

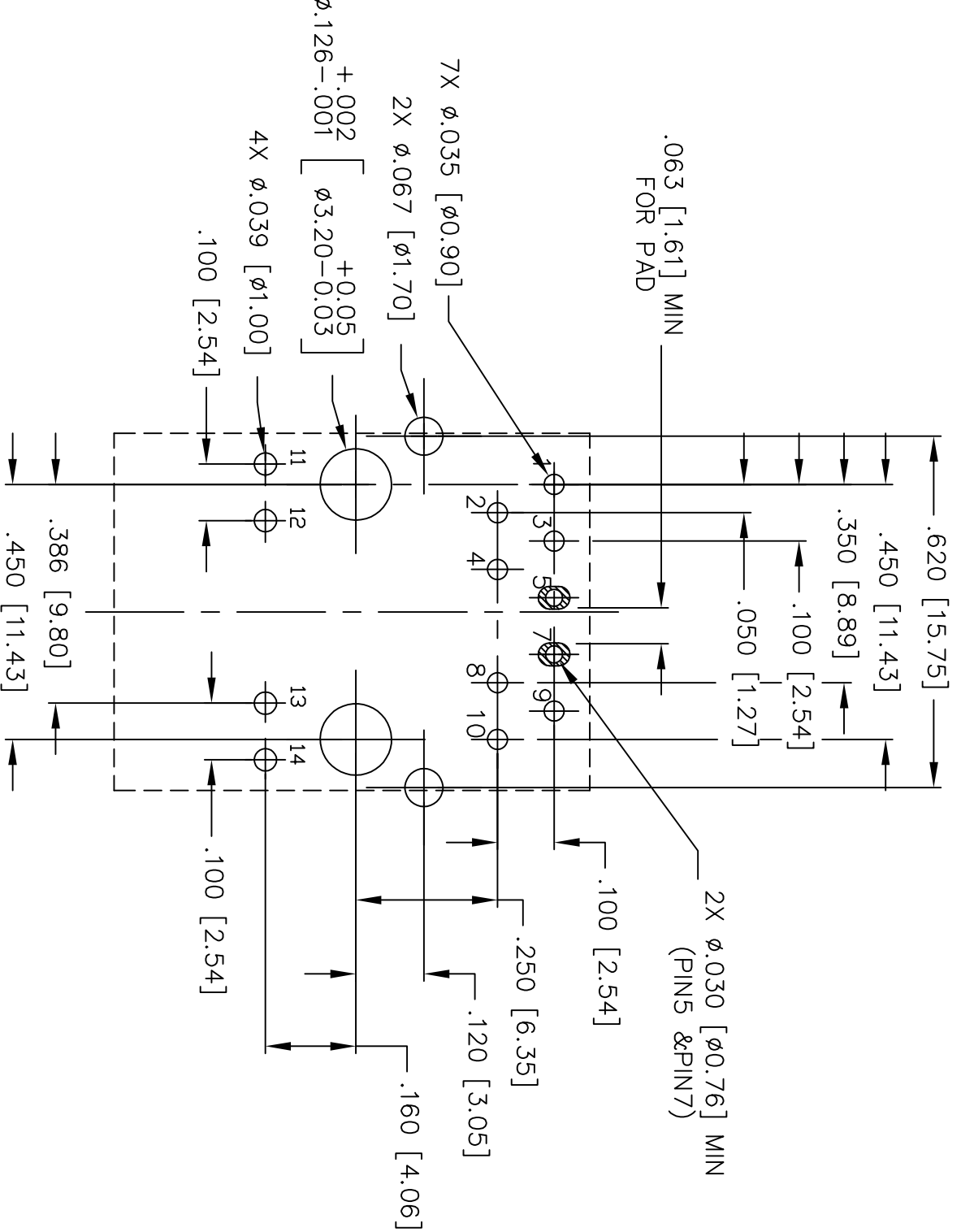
ELECTRICAL CHARACTERISTICS AT +25°C UNLESS OTHERWISE SPECIFIED
(FOR REFERENCE ONLY. USED FOR CUSTOMER INFORMATION.)

PARAMETER	SPECIFICATIONS	
OPERATING TEMP	0°C TO +70°C	
TURNS RATIO	1.00 ± 2%	
POLARITY	PER SCHEMATIC	
INSERTION LOSS	100 KHz	1-125 MHz
	-1.2 dB MAX	-0.2-0.002*f ^{-1.4} dB MAX
RETURN LOSS (Z OUT = 100 OHM±15%)	.1-30 MHz	30-60 MHz
	-16 dB MIN	-10+20*LOG ₁₀ (f/60 MHz) DB MIN
INDUCTANCE (OCL) (MEDIA SIDE, 0°C TO +70°C)	350 uH MIN	(MEASURED AT 100 KHz, 100 mV _{RMS}) (AND WITH 24 mA DC BIAS)
	1 MHz	10-100 MHz
CROSSTALK, ADJACENT CHANNELS	-50 dB MIN	-55+22*LOG ₁₀ (f/10) DB MIN
	2 MHz	30-200 MHz
COMMON MODE REJECTION RATIO	-50 DB MIN	-15+20*LOG ₁₀ (f/200) DB MIN
DC RESISTANCE 1/2 WINDING	.65 OHMS MAX	
DC RESISTANCE IMBALANCE	±.065 OHMS MAX (CENTER TAP SYMMETRY)	
DC CURRENT/VOLTAGE RATING - PSE PINS	750 mA @ 57V (CONTINUOUS)	
INPUT - OUTPUT ISOLATION	2250 VDC MIN @ 60 SECONDS	

NOTE: f IS FREQUENCY IN MHZ.

EMMITTED COLOR	GREEN	YELLOW
WAVELENGTH (nm)	570 nm	586 nm
BRIGHTNESS (mcd)	6 TYP. @ 20mA	8 TO 12 TYP. @ 20mA
VIEWING ANGLE	120°	120°
POWER DISSIPATION (Pd)	85 mW MAX	85 mW MAX
DC FORWARD CURRENT	120 mA MAX	80 mA MAX
REVERSE VOLTAGE (Vr)	5.0 V MAX	5.0 V MAX
FORWARD VOLTAGE (Vf)	2.8 V MAX	2.8 V MAX

NOTE: PER VENDOR'S SPECIFICATIONS



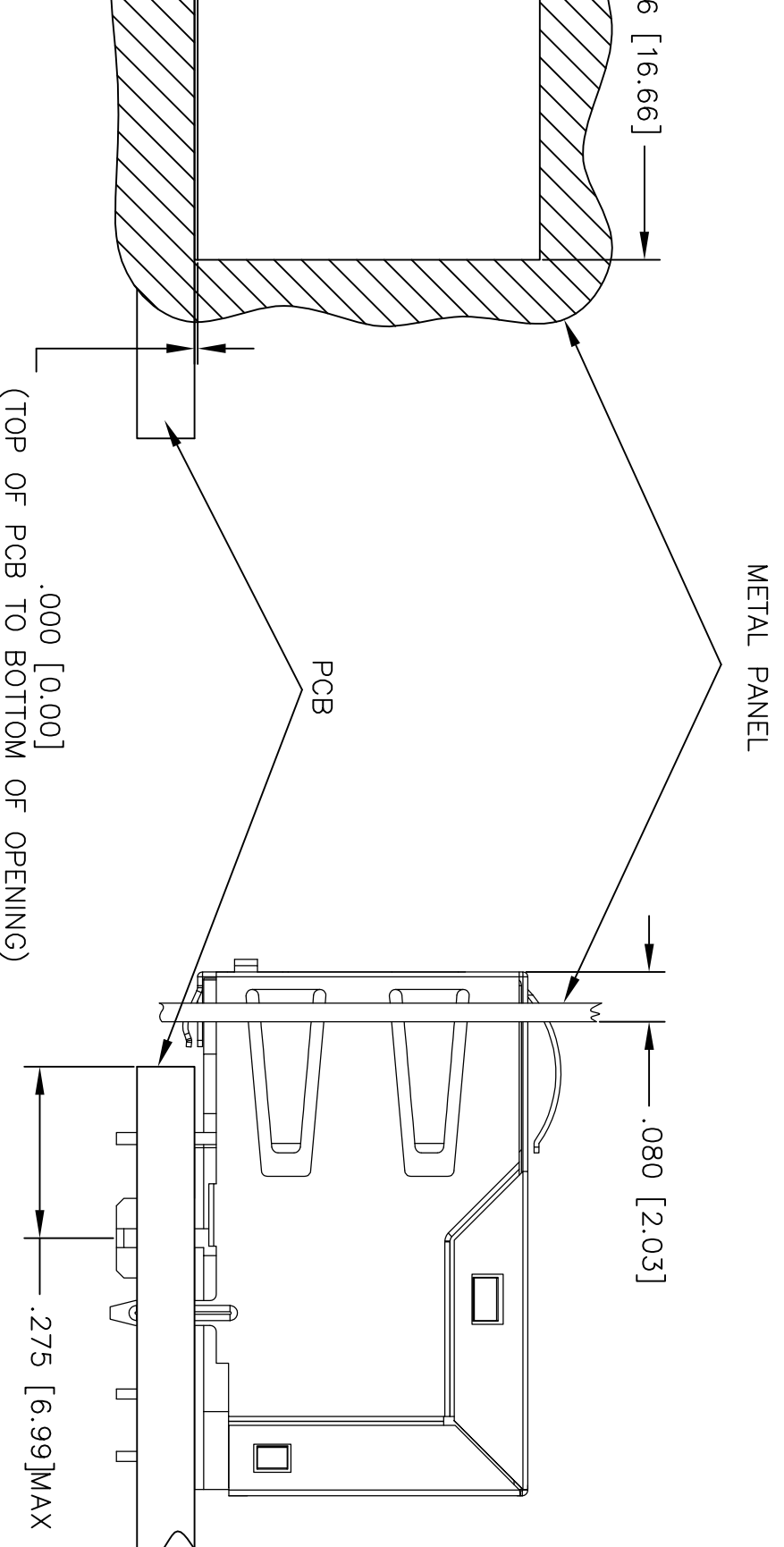
SUGGESTED FOOTPRINT (COMPONENT SIDE SHOWN)
DIMENSIONAL TOLERANCE: (UNLESS OTHERWISE SPECIFIED)

WITH THE FOLLOWING
REFERENCE ONLY.

All rights reserved. Pulse confidential & proprietary. (11/29/16)

TLA DRAWING	PS DRAWING	SHEET	PART NO.	DATASHEET REV.
M-0201NL-10	PS-2582.009-A	4 OF 5	JKM-0201NL	B

www.pulseelectronics.com(Asia) PHONE:USA:858 674 8100, GERMANY:49 7032 78060, SINGAPORE:65 6287 8998, SHANGHAI:86 21 62787060, TAIWAN:886 3 4356768



SUGGESTED PANEL CUTOUT

WITH THE FOLLOWING
REFERENCE ONLY.

All rights reserved. Pulse confidential & proprietary. (11/29/16)

TLA DRAWING	PS DRAWING	SHEET	PART NO.	DATASHEET REV.
M-0201NL-10	PS-2582.009-A	5 OF 5	JKM-0201NL	B

PHONE: USA:858 674 8100, GERMANY:49 7032 78060, SINGAPORE:65 6287 8998, SHANGHAI:86 21 62787060, TAIWAN:886 3 4356768

Looking for pricing, stock, or lifecycle information?

Click below to explore more details on WIN SOURCE:

[View JKM-0201NL on WIN SOURCE](#)

[Pulse Information](#)

Optimize Your Supply Chain with WIN SOURCE Solutions

- ✓ Global Sourcing Solution
- ✓ Obsolete Management
- ✓ Cost Control Management
- ✓ Shortage Management
- ✓ Alternative Solution
- ✓ Excess Inventory Management