



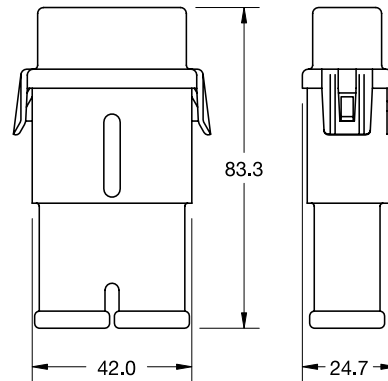
THE DATASHEET OF
279.6850.0602



Blade Fuseholders - Splash-waterproof Fuseholder for MAXI™ Style Blade Fuse



Dimensions in mm / Maße in mm



The In-Line Splash-water-proof fuseholder provides an efficient, simple installation method for MAXI / FK3-style fuse applications in harsh under-the-hood environments

Der spritzwassergeschützte In-Line-Sicherungshalter ermöglicht eine effiziente, einfache Installation von MAXI / FK3-Sicherungen in Anwendungen mit rauen Umgebungsbedingungen, z. B. freiliegende Karosserie-/Motorraumbereiche.

Part Number Artikel-Nr.	Description Beschreibung	Fuse Rating Sicherungs-Nennstrom
01520003TXN941	Assortment: Fuseholder 01520003 with terminals, seals and cover for 4-6mm ² - 10 pcs.	60 A
01520003TXN942	Assortment: Fuseholder 01520003 with terminals, seals and cover for 6-10mm ² - 10 pcs.	60 A
279.6850.0402	Assortment: Fuseholder 279.6800.000 with terminals, seals and cover for 4mm ² - 10 pcs.	80 A
279.6850.0602	Assortment: Fuseholder 279.6800.000 with terminals, seals and cover for 6-10mm ² - 10 pcs.	80 A
279.6850.1602	Assortment: Fuseholder 279.6800.000 with terminals, seals and cover for 16mm ² - 10 pcs.	80 A

Splash-waterproof MAXI™ Components

Part Number Artikel-Nr.	Description Beschreibung	Fuse Rating Sicherungs-Nennstrom
279.6800.000_	Fuseholder UL 94-V0 *	80 A
01520003_	Fuseholder PA66-GF30*	–
01520903_	Cover	–
0913726001	Loose terminals for wire Ø 2.5 - 4 mm ² - 300 pcs	–
09130726TXN	Loose terminals for wire Ø 2.5 - 4 mm ² - 10 pcs	–
0913727001	Loose terminals for wire Ø 4 - 6 mm ² - 300 pcs	–
09130727TXN	Loose terminals for wire Ø 4 - 6 mm ² - 10 pcs	–
0913728001	Loose terminals for wire Ø 6 - 10 mm ² - 300 pcs	–
09130728TXN	Loose terminals for wire Ø 6 - 10 mm ² - 10 pcs	–
868-905	Wire seals for wire Ø 2.5 - 6 mm ² , bulk - 1000 pcs	–
08680905TXN	Wire seals for wire Ø 2.5 - 6 mm ² - 10 pcs	–
868-906	Wire seals for wire Ø 6 - 10 mm ² , bulk - 1000 pcs	–
08680906TXN	Wire seals for wire Ø 6 - 10 mm ² - 10 pcs	–


Last figure of part number = packaging code, see Section "Packaging Index," pg. 157.

* PA66-GF30: heat resistant, hitzefest

UL 94-V0: self extinguishing, selbstlöschend

Looking for pricing, stock, or lifecycle information?

Click below to explore more details on WIN SOURCE:

-  [View 279.6850.0602 on WIN SOURCE](#)
-  [Littelfuse Inc. Information](#)

Optimize Your Supply Chain with WIN SOURCE Solutions

-  Global Sourcing Solution
-  Obsolete Management
-  Cost Control Management
-  Shortage Management
-  Alternative Solution
-  Excess Inventory Management