



**THE DATASHEET OF  
L60030M1SQ**



# LFFB SERIES LIMITER BLOCK

150 V • 800 A



## Specifications

<b>Voltage Rating</b>	150 Vac/dc
<b>Ampere Rating</b>	800 A Max
<b>Approvals</b>	UL Recognized (File: E14721)
<b>Construction</b>	Base – Thermoplastic Studs – Steel Zinc Plated Nuts – M8 Hex, 1.25 Thread Pitch
<b>Torque</b>	Base: 25 in-lb Fuse: 90 in-lb
<b>Mounting Screw</b>	#10 Flat Head
<b>Operating Temp</b>	-55 °C to +125 °C
<b>Environmental</b>	RoHS Compliant
<b>Flammability Rating</b>	UL94 V-0, 5VA

## Ordering Information

CATALOG NUMBER	ORDERING NUMBER
LFFB003	LFFB0003Z

## Description

The LFFB series fuse block is designed to accept bolt-down style limiter fuses. Applications include but are not limited to forklifts, golf carts and other low-voltage battery equipment. It is specifically designed for the HAZGARD™ fuse but can be used for CNN and CNL series fuses as well.

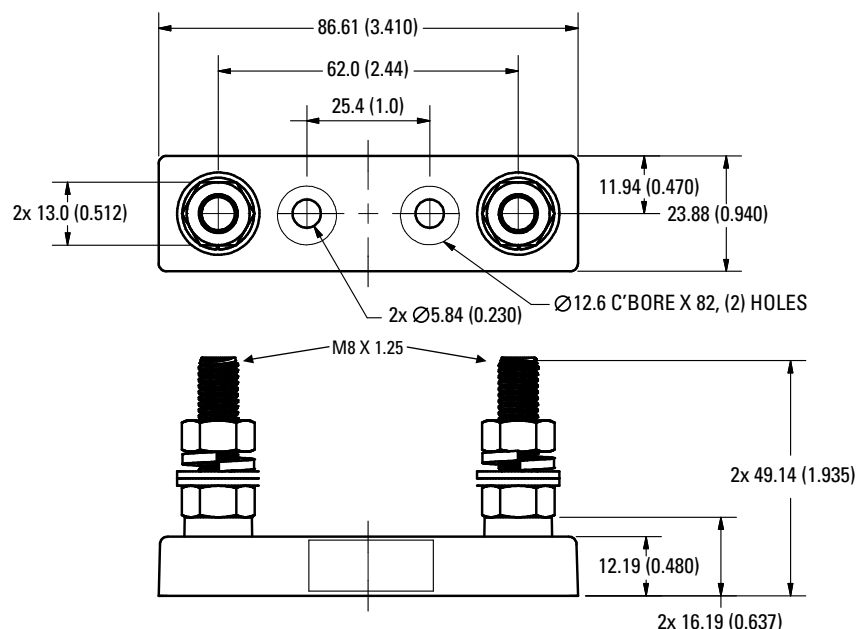
## Web Resources

Additional technical information: [littelfuse.com/lffb](http://littelfuse.com/lffb)

## Recommended Fuses

CNN\_E, CNN and CNL Series cable limiter fuses  
HAZGARD (581 series) fuse

## Dimensions mm (inches)



**Disclaimer Notice** – Information furnished is believed to be accurate and reliable. However, users should independently evaluate the suitability of and test each product selected for their own applications. Littelfuse products are not designed for, and may not be used in, all applications. Read complete Disclaimer Notice at [www.littelfuse.com/product-disclaimer](http://www.littelfuse.com/product-disclaimer).

## Looking for pricing, stock, or lifecycle information?

Click below to explore more details on WIN SOURCE:

 [View L60030M1SQ on WIN SOURCE](#)

 [Littelfuse Inc. Information](#)

## Optimize Your Supply Chain with WIN SOURCE Solutions

-  Global Sourcing Solution
-  Obsolete Management
-  Cost Control Management
-  Shortage Management
-  Alternative Solution
-  Excess Inventory Management