



**THE DATASHEET OF  
FHAC0001ZXJG**



## INLINE FUSE HOLDER FOR ATO® STYLE BLADE FUSE



### Description

Used with ATO®/ FKS Fuse. Supplied with two 4" / 102mm wire leads.

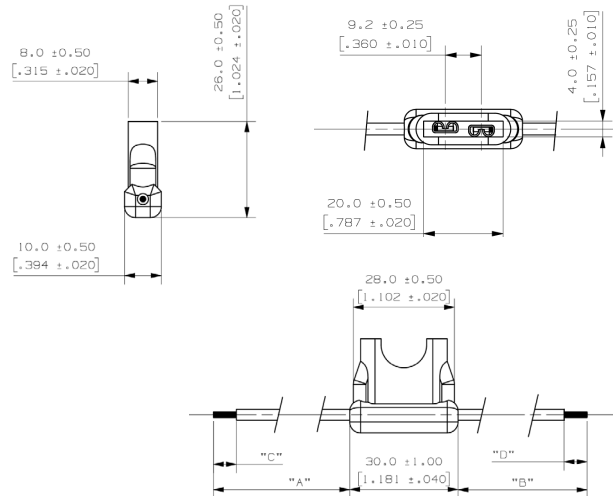
### Ordering Information

Part Number	Package Size
0FHA0001ZXJ	1000
0FHA0002ZXJ	1000

### Dimensions

Dimensions in mm

**RoHS**



### Ratings

Part Number	Description	Fuse Rating
0FHA0001_	16AWG/1.3mm <sup>2</sup> stranded black wire	20A @ 32V DC
0FHA0002_	12AWG/3.3mm <sup>2</sup> stranded orange wire	30A @ 32V DC

Wire length, color and diameter can be customized upon request. Customization requires minimum order quantities depending on nature of modifications. Please contact your sales representative for details.

## INLINE SPLASHPROOF FUSE HOLDER

for ATO® Style Blade Fuse



### Description

Used with ATO® / FKS Fuse. Supplied with two 4" / 102mm wire leads. Includes protective cover for harsh environment.

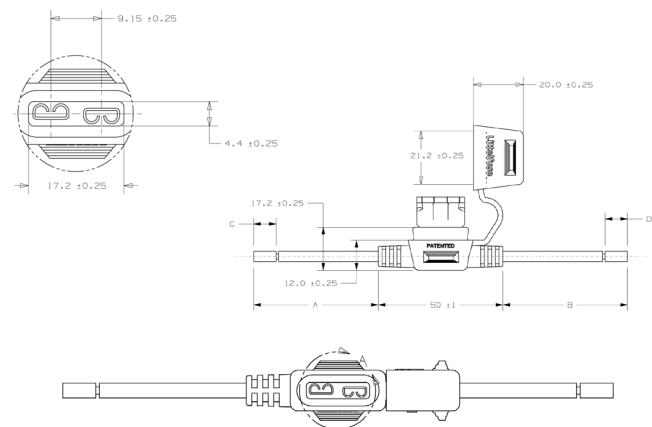
### Ordering Information

Part Number	Package Size
FHAC0001ZXJ	1000
FHAC0002ZXJ	1000

### Dimensions

Dimensions in mm

**RoHS**



### Ratings

Part Number	Description	Fuse Rating
FHAC0001ZXJ	16AWG/1.3mm <sup>2</sup> stranded black wire	20A @ 32V DC
FHAC0002ZXJ	12AWG/3.3mm <sup>2</sup> stranded orange wire	30A @ 32V DC

Wire length, color and diameter can be customized upon request. Customization requires minimum order quantities depending on nature of modifications. Please contact your sales representative for details.

## Looking for pricing, stock, or lifecycle information?

Click below to explore more details on WIN SOURCE:

 [View FHAC0001ZXJG on WIN SOURCE](#)

 [Littelfuse Inc. Information](#)

## Optimize Your Supply Chain with WIN SOURCE Solutions

-  Global Sourcing Solution
-  Obsolete Management
-  Cost Control Management
-  Shortage Management
-  Alternative Solution
-  Excess Inventory Management