

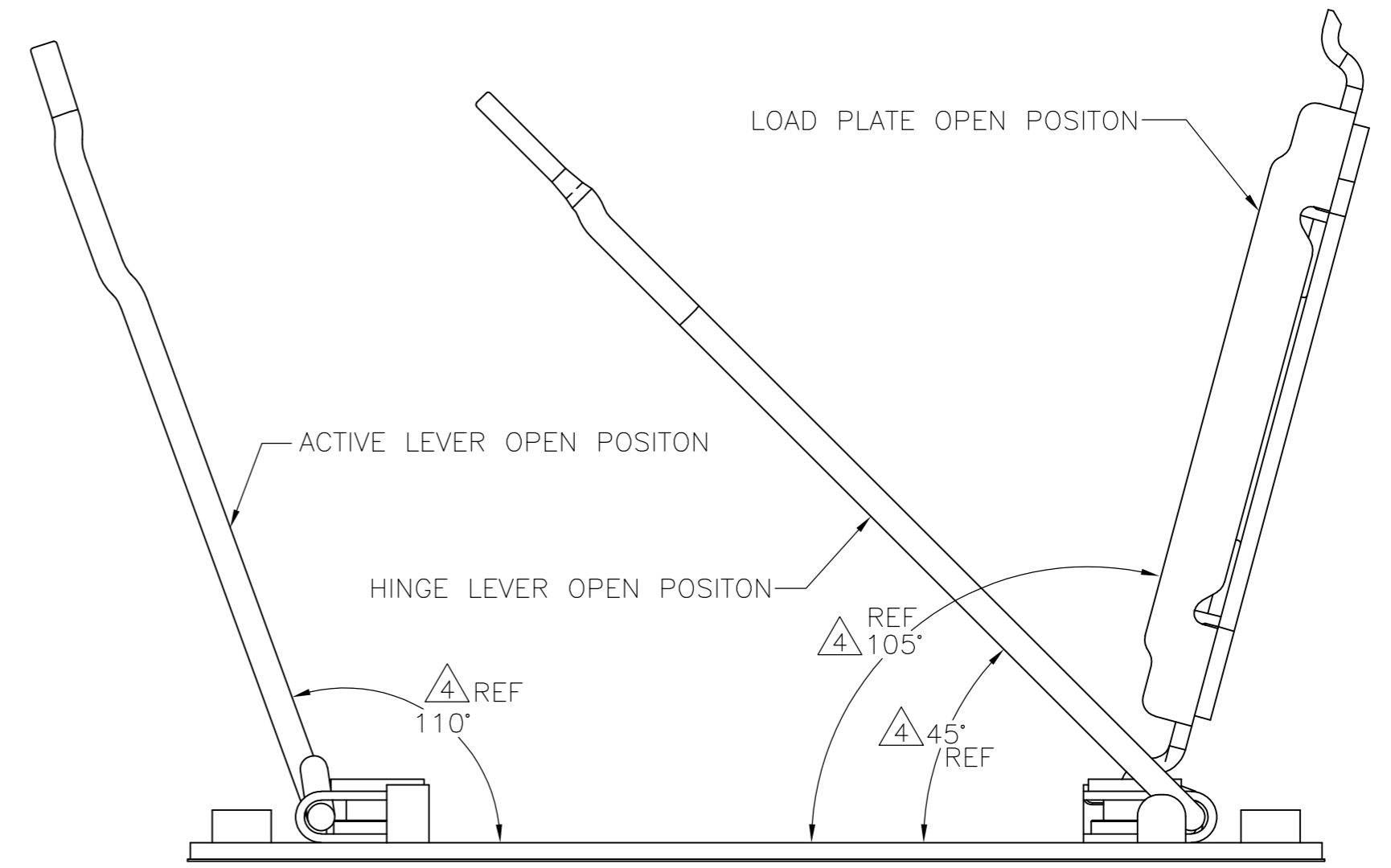
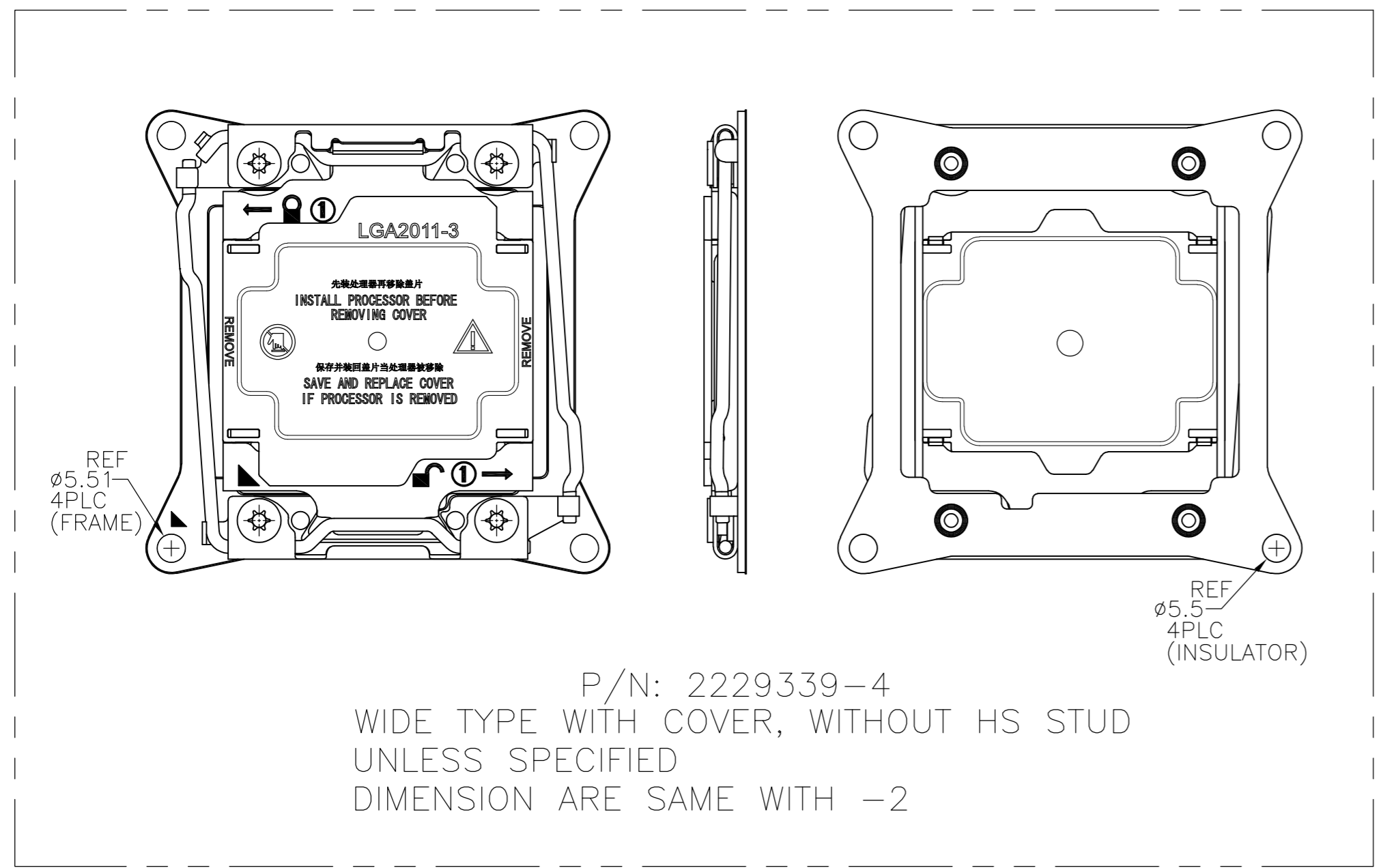
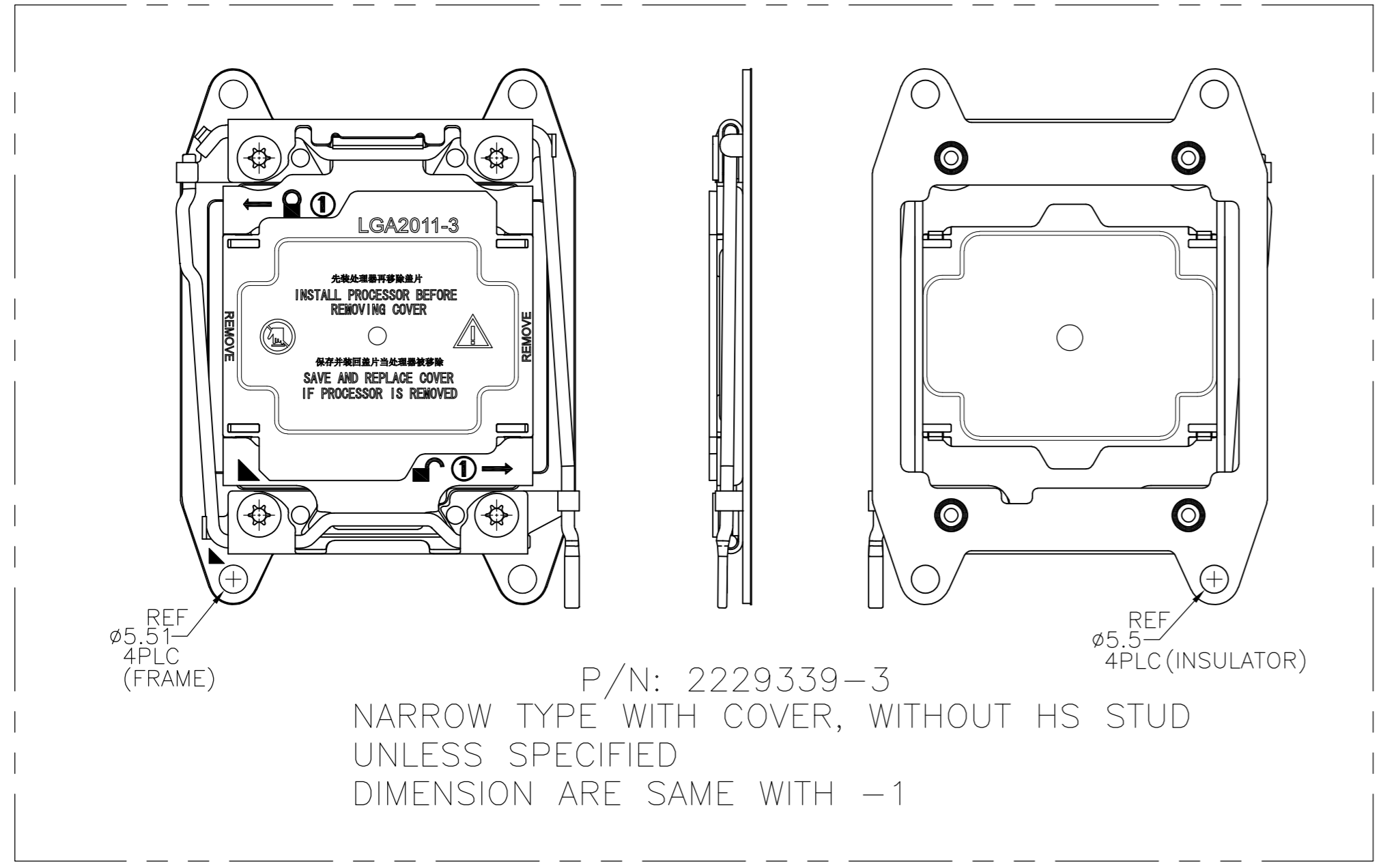


THE DATASHEET OF
2229339-2



THIS DRAWING IS UNPUBLISHED. RELEASED FOR PUBLICATION APR , 2011.
 © COPYRIGHT 2011 By Tyco Electronics Japan G.K. ALL RIGHTS RESERVED.

LOC		DIST		REVISIONS				
J		-		我	更	DATE	DWN	APVD
P	LTR	DESCRIPTION			DATE	DWN	APVD	
-	-	SEE SHEET 1			-	-	-	



LEVER AND LOAD PLATE OPEN ANGLES
 THE ACTIVE LEVER MUST OPEN TO A SUFFICIENT
 ANGLE TO ALLOW THE LOAD PLATE TO OPEN FREELY
 (2229339-1,-2,-3,-4,1-2229339-1,1- -2 AS SHOWN)

THIS DRAWING IS A CONTROLLED DOCUMENT.		DWN	-	TE TE Connectivity	
DIMENSIONS: 单位: 毫米 mm		CHK	-		
TOLERANCES UNLESS OTHERWISE SPECIFIED: 一般公差		APVD	-	NAME 名称	
0-PLC ± ± ± 0.3		PRODUCT SPEC 製品規格		ILM ASSY	
1-PLC ± ± ± 3'		APPLICATION SPEC 取付適用規格		LGA2011-3	
2-PLC ± ± ±		WEIGHT		SIZE	A2
3-PLC ± ± ±		CUSTOMER DRAWING		CAGE CODE	00779
4-PLC ± ± ±		SCALE		DRAWING NO 番号	C=2229339
ANGLES ± ± ±		SHEET		RESTRICTED TO	
FINISH 仕上		NTS		-	
MATERIAL 材料		3 OF 3		REV A	

Looking for pricing, stock, or lifecycle information?

Click below to explore more details on WIN SOURCE:

 [View 2229339-2](#) on WIN SOURCE

 [TE Connectivity](#) Information

Optimize Your Supply Chain with WIN SOURCE Solutions

-  Global Sourcing Solution
-  Obsolete Management
-  Cost Control Management
-  Shortage Management
-  Alternative Solution
-  Excess Inventory Management