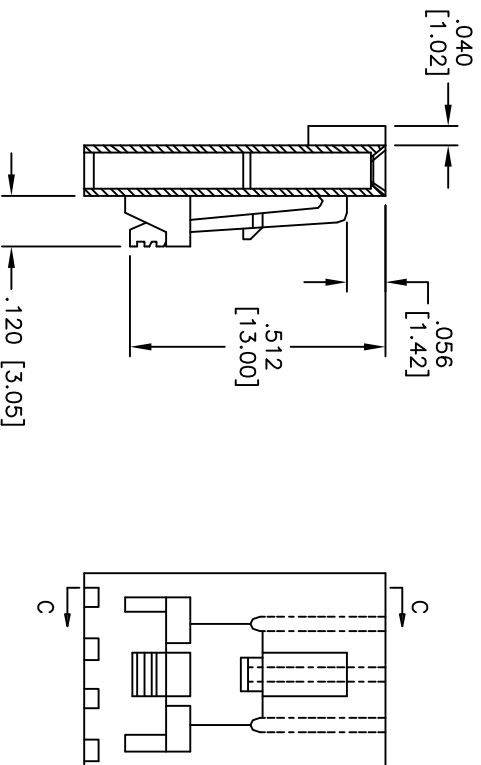
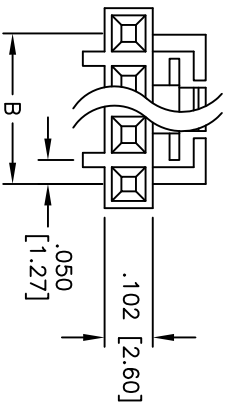




# THE DATASHEET OF CDH-08



Rev	AWO #	Description	Date	Appr
-		RELEASED	4/7/05	
A		FIXED PART NUMBER	04/24/06	BAS



SECTION C-C

Positions: 2 thru 18  
 A = .100 [2.54] x No. of Positions  
 B = .100 [2.54] x No. of Spaces

ated UL 94V-0

ns min @ 500 VDC  
 00 VAC for 1 minute

+85°C

UNLESS OTHERWISE SPECIFIED  
 ALL DIMENSIONS ARE INCHES [MM]  
 TOLERANCES: EXCEPT AS NOTED

INCHES	HOLES
.X ± .10	ØX ± .10
.XX ± .020	ØXXX ± .015
.XXX ± .015	ØXXXX ± .010

**ADAM TECH**

909 Railway Avenue, Union, NJ 07083  
 Phone: 908-687-5000 Fax: 908-687-5710

.100 [2.54] LATCHING HOUSING



APPROVALS	DATE	TITLE
DRAWN	SS	4/7/05
CHECKED		
APPROVED		

SIZE	PART NO.	REV.
X	CDH-XX	-

SCALE:	SHEET	1 OF 1
NTS	1	1

## Looking for pricing, stock, or lifecycle information?

Click below to explore more details on WIN SOURCE:

-  [View CDH-08 on WIN SOURCE](#)
-  [Adam Technologies, Inc. Information](#)

## Optimize Your Supply Chain with WIN SOURCE Solutions

-  Global Sourcing Solution
-  Obsolete Management
-  Cost Control Management
-  Shortage Management
-  Alternative Solution
-  Excess Inventory Management