

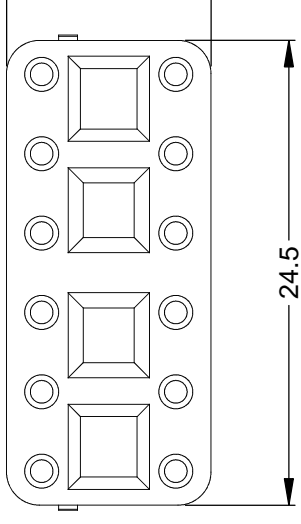
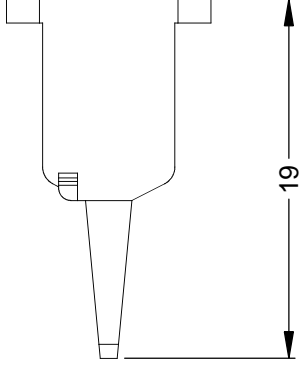
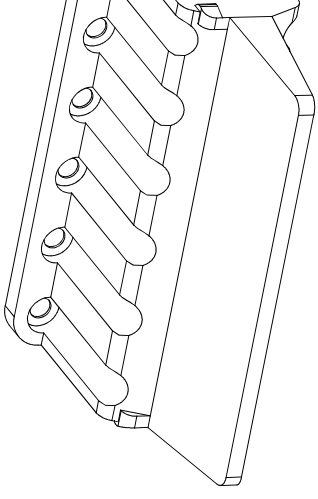
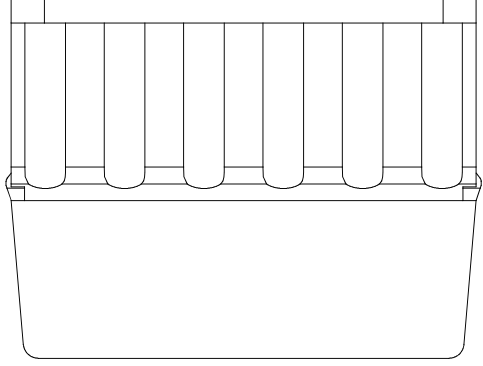


# THE DATASHEET OF AWM-12S



## REVISION

REV	ECO	DESCRIPTION
A3		RELEASE NEW DWG FORMA





NOTES: UNLESS OTHERWISE SPECIFIED

1. MATERIAL: THERMOPLASTIC; COLOR: ORANGE
2. RoHS COMPLIANT
3. CAVITIES: 12
4. KEYED: N/A
5. USE WITH CONNECTORS: ATM06-12S\*  
(\* = MODIFICATIONS AND COLORS )
6. ALL DIMENSIONS ARE FOR REFERENCE USE ONLY.

AWM-12S		PART NUMBER		DE	
QUANTITY	UNLESS OTHERWISE SPECIFIED 1) All dimensions are in metric(mm). 2) Tolerances are as follows: 1 PL DEC $\pm 0.30$ Fractions $\pm 1/64$ 2 PL DEC $\pm 0.15$ Angles $\pm 1^\circ$ 3 PL DEC $\pm 0.08$ 3) Note reference = $\triangle X$	SIGNATURES	DATE	<b>MATERIALS LIST</b> <b>A</b> Sin	
		DRAWN: D.PARKS	24/JUL/13		
		CHECKED:		<b>S-WEDGE</b> SIZE TYPE <b>A C-</b> SCALE: NONE	
		ENGINEER:			
		APPROVAL:		THIS DRAWING IS SUPPLIED FOR INFORMATION ONLY. DESIGN FEATURES, SPECIFICATIONS AND PERFORMANCE DATA SHOWN HEREON ARE THE PROPERTY OF THE AMPHERCOL CORPORATION. NO RIGHTS ARE RESERVED. ALL DIMENSIONS ARE SUBJECT TO NORMAL MANUFACTURING VARIATIONS.	
		CUSTOMER:			
	MATERIAL SPECIFICATIONS:				
	PROCESS SPECIFICATIONS:				
	NEXT ASSY:				

## Looking for pricing, stock, or lifecycle information?

Click below to explore more details on WIN SOURCE:

-  [View AWM-12S on WIN SOURCE](#)
-  [Amphenol Sine Systems Corp Information](#)

## Optimize Your Supply Chain with WIN SOURCE Solutions

-  Global Sourcing Solution
-  Obsolete Management
-  Cost Control Management
-  Shortage Management
-  Alternative Solution
-  Excess Inventory Management